

DEWALT®

XR®

www.DEWALT.com

DCMWS P564

English (original instructions)	4
--	---

Русский (<i>перевод с оригинала инструкции</i>)	16
---	----

Українська (<i>переклад з оригінальної інструкції</i>)	36
--	----

Fig. A

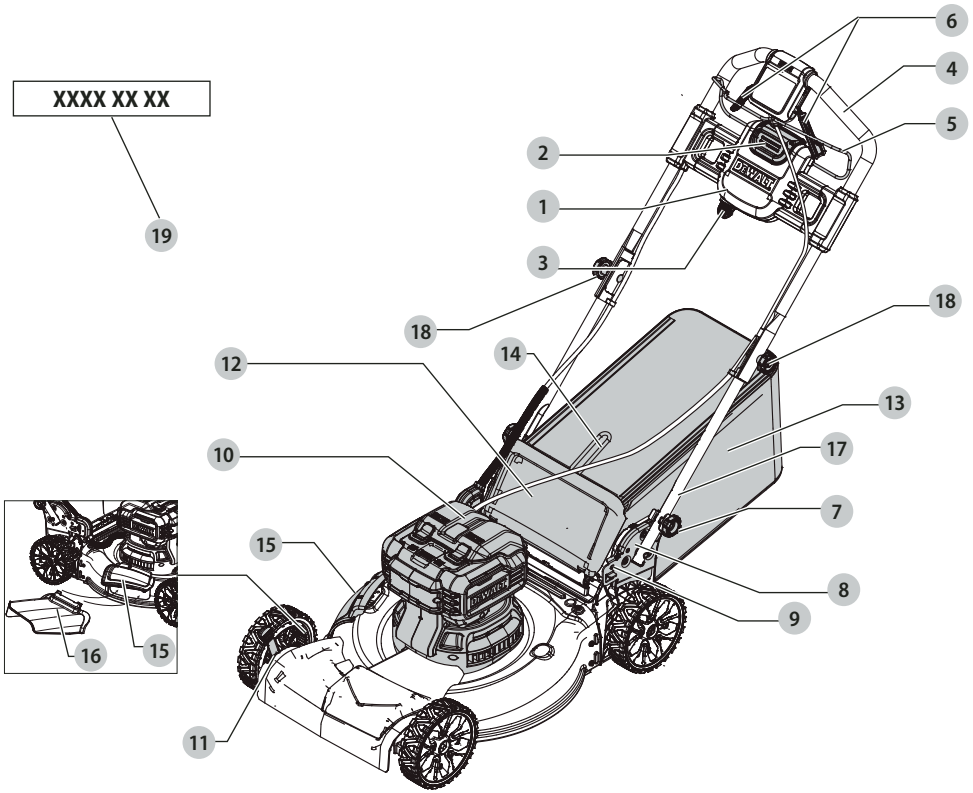


Fig. B

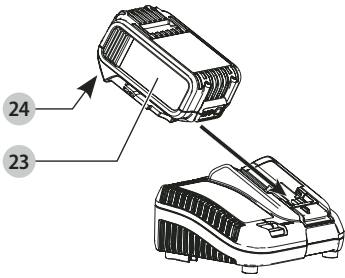


Fig. C

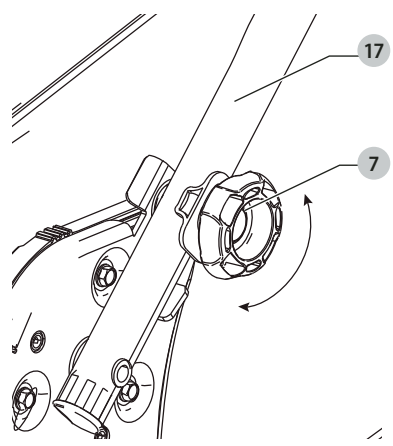


Fig. D

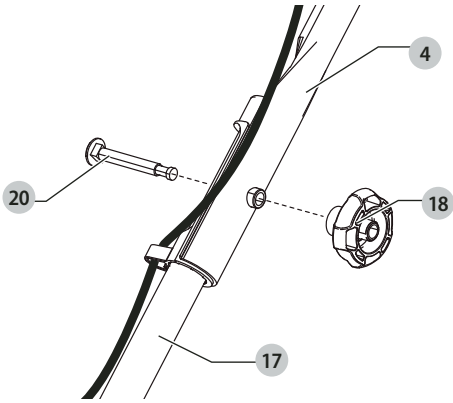


Fig. E

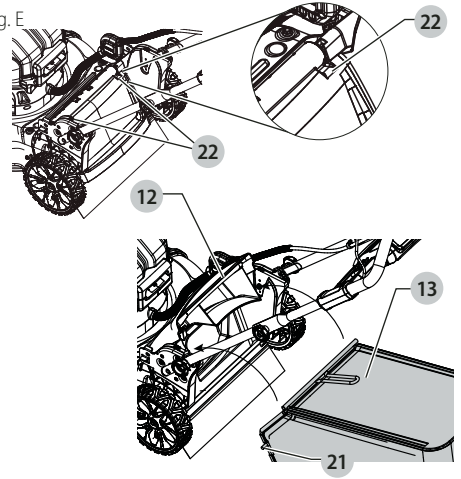


Fig. F

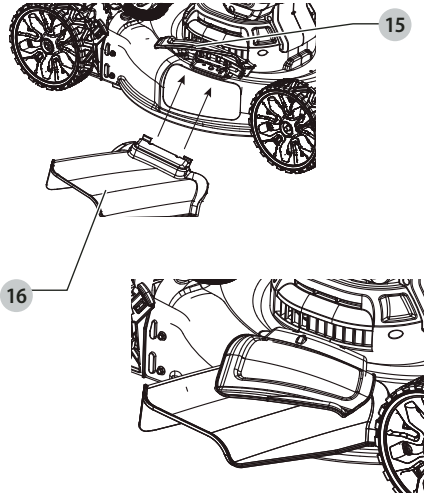


Fig. G

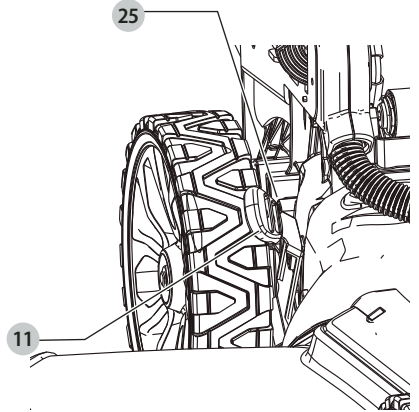


Fig. H

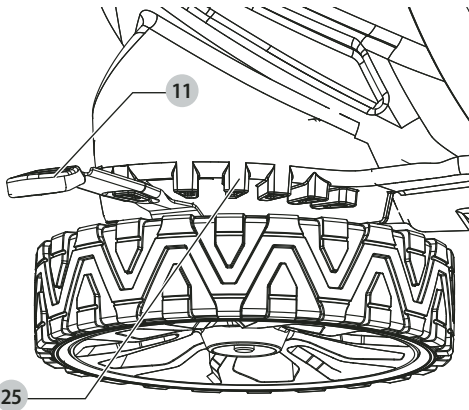


Fig. I

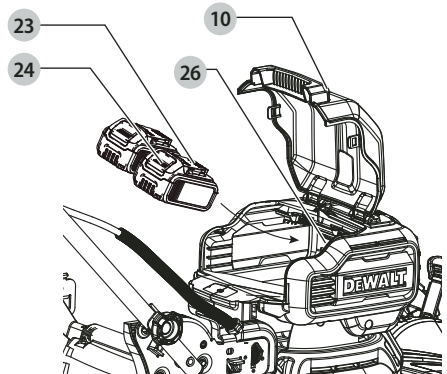


Fig. J

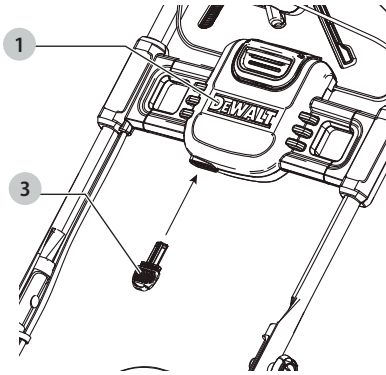


Fig. K

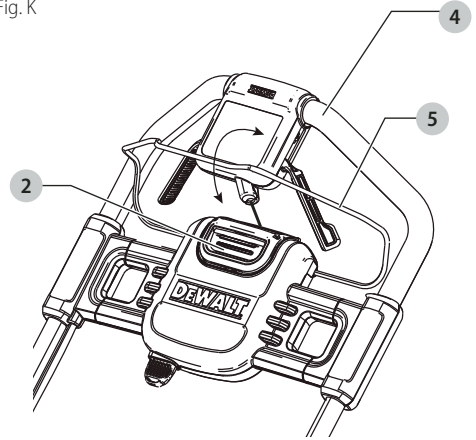


Fig. L

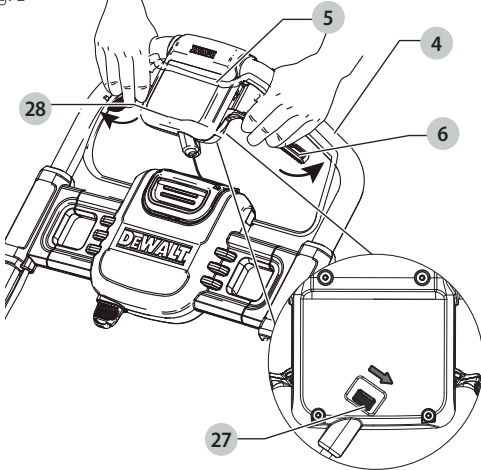


Fig. M

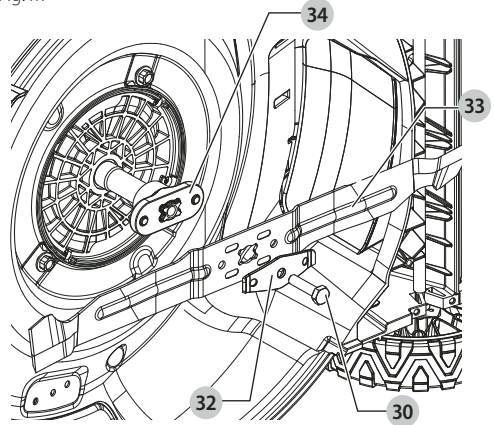


Fig. N

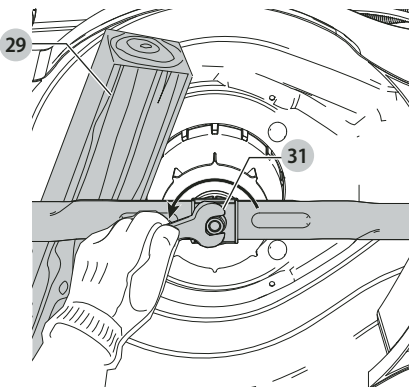


Fig. O

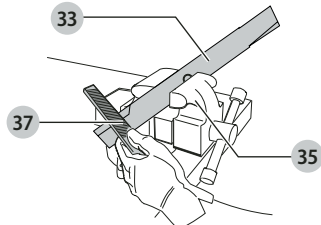
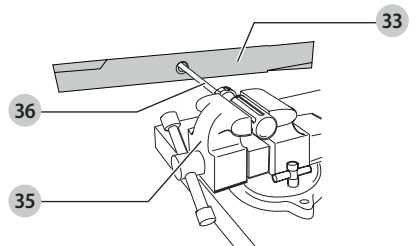


Fig. P



2 x 18V SELF-PROPELLED MOWER

DCMWSP564

Congratulations!

You have chosen a DEWALT tool. Years of experience, thorough product development and innovation make DEWALT one of the most reliable partners for professional power tool users.

Technical Data

		DCMWSP564
Voltage	V_{DC}	2 x 18
Battery type		Li-Ion
No load speed	/min	2500
Maximum speed	/min	2800
Blade Length	cm	53
Weight (without battery pack)	kg	26
Noise values and vibration values (triax vector sum) according to EN62841-1		
L_{PA} (emission sound pressure level)	dB(A)	76
L_{WA} (sound power level)	dB(A)	87
K (uncertainty for the given sound level)	dB(A)	0.9
Hand/arm weighted vibration value:		
Vibration emission value a_{H1} =	m/s^2	2.5
Uncertainty K =	m/s^2	1.5

The vibration and/or noise emission level given in this information sheet has been measured in accordance with a standardised test given in EN60335 and may be used to compare one tool with another. It may be used for a preliminary assessment of exposure.



WARNING: The declared vibration and/or noise emission level represents the main applications of the tool. However if the tool is used for different applications, with different accessories or poorly maintained, the vibration and/or noise emission may differ. This may significantly increase the exposure level over the total working period.

An estimation of the level of exposure to vibration and/or noise should also take into account the times when the tool is switched off or when it is running but not actually doing the job. This may significantly reduce the exposure level over the total working period.

Identify additional safety measures to protect the operator from the effects of vibration and/or noise such as: maintain the tool and the accessories, keep the hands warm (relevant for vibration), organisation of work patterns.

EC-Declaration of Conformity

Machinery Directive



2 x 18V Mower DCMWSP564

DEWALT declares that these products described under

Technical Data are in compliance with:

2006/42/EC, EN60335-1:2012 + AC:2014 + A11:2014 + A13:2017 + A1:2019 + A14:2019 + A2:2019, EN60335-2-77:2010.

These products also comply with Directive 2014/30/EU and 2011/65/EU.

2000/14/EC, Lawnmower, $50 < L \leq 70$, Annex VI DEKRA

Testing and Certification GmbH, Handwerkstraße 15,
70565 Stuttgart, Germany

Notified Body ID No.: 0158

Level of acoustic power according to 2000/14/EC
(Article 12, Annex VI, $50 < L \leq 70$ cm):

L_{WA} (measured sound power) 87 dB(A)

Uncertainty (K) = 0.9 dB(A)

L_{WA} (guaranteed sound power) 98 dB(A)

For more information, please contact DEWALT at the following address or refer to the back of the manual.

The undersigned is responsible for compilation of the technical file and makes this declaration on behalf of DEWALT.

Markus Rompel
Vice-President Engineering, PTE-Europe
DEWALT, Richard-Klinger-Straße 11,
65510, Idstein, Germany
30.09.2021

DECLARATION OF CONFORMITY THE SUPPLY OF MACHINERY (SAFETY) REGULATIONS 2008



2 x 18V Mower DCMWSP564

DEWALT declares that these products described under "technical data" are in compliance with:

The Supply of Machinery (Safety) Regulations, 2008, S.I. 2008/1597 (as amended), EN60335-1:2012 + AC:2014 + A11:2014 + A13:2017 + A1:2019 + A14:2019 + A2:2019, EN60335-2-77:2010.

These products also conform to the following UK Regulations

Batteries				Chargers/Charge Times (Minutes)**									
Cat #	V _{DC}	Ah	Weight (kg)	DCB104	DCB107	DCB112	DCB113	DCB115	DCB116	DCB117	DCB118	DCB132	DCB119
DCB546	18/54	6.0/2.0	1.08	60	270	170	140	90	80	40	60	90	X
DCB547	18/54	9.0/3.0	1.46	75*	420	270	220	135*	110*	60	75*	135*	X
DCB548	18/54	12.0/4.0	1.46	120	540	350	300	180	150	80	120	180	X
DCB549	18/54	15.0/5.0	2.12	125	730	450	380	230	170	90	125	230	X
DCB181	18	1.5	0.35	22	70	45	35	22	22	22	22	22	45
DCB182	18	4.0	0.61	60/40**	185	120	100	60	60/45**	60/40**	60/40**	60	120
DCB183/B/G	18	2.0	0.40	30	90	60	50	30	30	30	30	30	60
DCB184/B/G	18	5.0	0.62	75/50**	240	150	120	75	75/60**	75/50**	75/50**	75	150
DCB185	18	1.3	0.35	22	60	40	30	22	22	22	22	22	40
DCB187	18	3.0	0.54	45	140	90	70	45	45	45	45	45	90
DCB189	18	4.0	0.54	60	185	120	100	60	60	60	60	60	120
DCBP034	18	1.7	0.32	27	82	50	40	27	27	27	27	27	50

*Date code 201811475B or later

**Date code 201536 or later

Electromagnetic Compatibility Regulations, 2016, S.I.2016/1091 (as amended).

The Restriction of the Use of Certain Hazardous Substances in Electrical and Electronic Equipment Regulations 2012, S.I. 2012/3032 (as amended).

The Noise Emission in the Environment by Equipment for use Outdoors Regulations 2001, S.I. 2001/1701 (as amended), Schedule 9.

Intertek Testing & Certification Ltd, Academy Place, 1-9 Brook Street, Brentwood, Essex, CM14 5NQ, United Kingdom. Approved Body Number: 0359

Level of Acoustic Power according to
(Schedule 1, Annex VI, $50 < L \leq 70$):

L_{WA} (measured sound power level) 87 dB(A),

Uncertainty (K) = 0.9 dB (A),

L_{WA} (guaranteed sound power) 98 dB(A).

For more information, please contact DeWALT at the following address or refer to the back of the manual.

The undersigned is responsible for compilation of the technical file and makes this declaration on behalf of DeWALT.

Paul Featherstone

Paul Featherstone
Vice President Professional Power Tools EANZ GTS
270 Bath Road, Slough
Berkshire SL1 4DX
England
30.09.2021



WARNING: To reduce the risk of injury, read the instruction manual.

Definitions: Safety Guidelines

The definitions below describe the level of severity for each signal word. Please read the manual and pay attention to these symbols.



DANGER: Indicates an imminently hazardous situation which, if not avoided, **will** result in **death or serious injury**.



WARNING: Indicates a potentially hazardous situation which, if not avoided, **could** result in **death or serious injury**.



CAUTION: Indicates a potentially hazardous situation which, if not avoided, **may** result in **minor or moderate injury**.

NOTICE: Indicates a practice **not related to personal injury** which, if not avoided, **may** result in **property damage**.



Denotes risk of electric shock.



Denotes risk of fire.

Safety Instructions



WARNING: When using cordless appliances, basic safety precautions, including the following, should always be followed to reduce the risk of fire, electric shock, personal injury and material damage.



WARNING: When using the machine the safety rules must be followed. For your own safety and bystanders please read these instructions before operating the machine. Please keep the instructions safe for later use.

- Read all of this manual carefully before operating the appliance.
- The intended use is described in this manual. The use of any accessory or attachment or the performance

of any operation with this appliance other than those recommended in this instruction manual may present a risk of personal injury.

- Retain this manual for future reference.

SAVE ALL WARNINGS AND INSTRUCTIONS FOR FUTURE REFERENCE

Using Your Appliance

Always take care when using the appliance.

- This appliance is not intended for use by young or infirm persons without supervision.
- The appliance is not to be used as a toy.
- Do not allow children or animals to come near the work area or touch the appliance.
- Close supervision is necessary when the appliance is used near children.
- Use in a dry location only. Do not allow the appliance to become wet.
- Do not immerse the appliance in water.
- Do not open body casing. There are no user serviceable parts inside.
- Do not operate the appliance in explosive atmospheres, such as in the presence of flammable liquids, gases or dust.
- Before using, always visually inspect to see that the blades, blade bolts and cutter assembly are not worn or damaged. Replace worn or damaged blades and bolts in sets to preserve balance.
- Never operate the machine while people, especially children, or pets are nearby.
- Keep in mind that the operator or user is responsible for accidents or hazards occurring to other people or their property.

Before Use

- While operating the machine always wear substantial footwear and long trousers. Do not operate the machine when barefoot or wearing open sandals. Avoid wearing clothing that is loose fitting or that has hanging cords or ties.
- Thoroughly inspect the area where the machine is to be used and remove all objects which can be thrown by the machine.
- Before using, always visually inspect to see that the blade, blade bolt and the blade assembly are not worn or damaged. Replace worn or damaged components in sets to preserve balance. Replace damaged or unreadable labels.

After Use

- When not in use, the appliance should be stored in a dry, well ventilated place out of the reach of children.
- Children should not have access to stored appliances.
- When the appliance is stored or transported in a vehicle it should be placed in the boot or restrained to prevent movement following sudden changes in speed or direction.

Inspection and Repairs

- Before use, check the appliance for damaged or defective parts. Check for breakage of parts, damage to switches and any other conditions that may affect its operation.
- Do not use the appliance if any part is damaged or defective.
- Have any damaged or defective parts repaired or replaced by an authorised repair agent.
- Never attempt to remove or replace any parts other than those specified in this manual.
- Be careful during adjustment of the mower to prevent entrapment of the fingers between moving blades/parts and fixed parts of the machine.
- When servicing the blades be aware that, even though the power source is switched off, the blades can still be moved.

Additional Safety Instructions for Lawn Mowers

- Do not transport the machine while the power source is running.
- Firmly grip handle with both hands when operating the lawn mower.
- If at any time it is felt necessary to tilt the lawn mower, make sure that both hands remain in the operating position while the lawn mower is tilted. Keep both hands in the operating position until the lawn mower is returned to rest correctly on the ground.
- Never wear radio or music headphones while operating the lawn mower.
- Never attempt to make a wheel height adjustment while the motor is running or while the safety key is in the switch housing.
- If the lawn mower stalls, release bail bar to turn mower off, wait for blade to stop, before attempting to unclog the chute or remove anything from under the deck.
- Keep hands and feet away from cutting area.
- Keep blades sharp. Always use protective gloves when handling the lawn mower blade.
- If you are using the grass collector, check it frequently for wear and deterioration. If excessively worn, replace with a new grass collector for your safety.
- Use extreme caution when reversing or pulling the lawn mower towards you.
- Do not put hands or feet near or under the lawn mower. Keep clear of the discharger opening at all times.
- Clear the area where the lawn mower is to be used of objects such as rocks, sticks, wire, toys, bones etc., which could be thrown by the blade. Objects struck by the blade can cause severe injury to persons. Stay behind the handle when the motor is running.
- Do not operate the lawn mower barefooted or while wearing sandals. Always wear substantial footwear.
- Do not pull lawn mower backward unless absolutely necessary. Always look down and behind before and while moving backward.

- Never direct discharged material toward anyone. Avoid discharging material against a wall or obstruction. Material may ricochet back toward the operator. Release the bail bar to turn the lawn mower off and stop the blade when crossing gravel surfaces.
- Do not operate the lawn mower without the entire grass collector, discharge guard, rear guard, or other safety protective devices in place and working. Periodically check all guards and safety protective devices to ensure they are in good working order and will operate properly and perform their intended function. Replace a damaged guard or other safety device before further use.
- Never leave a running lawn mower unattended.
- Always release the bail bar to stop the motor and wait until the blade comes to a complete stop before cleaning the lawn mower, removing the grass bag, unclogging the discharge guard, when leaving the lawn mower, or before making any adjustments, repairs or inspections.
- Operate lawn mower only in daylight or good artificial light when objects in the path of the blade are clearly visible from the operating area of the lawn mower.
- Do not operate the lawn mower while under the influence of alcohol or drugs, or when you are tired or ill. Always stay alert, watch what you are doing, and use common sense.
- Avoid dangerous environments. Never operate the lawn mower in damp or wet grass, never use lawn mower in the rain. Always be sure of your footing, walk, never run.
- If the lawn mower should start to vibrate abnormally, release the bail bar, wait for the blade to stop and then check for the cause immediately. Vibration is generally a warning of trouble, see the **Troubleshooting** for advice in the case of abnormal vibration.
- Always wear proper eye and respiratory protection when operating the lawn mower.
- The use of any accessory or attachment not recommended for use with this lawn mower could be hazardous. Only use accessories approved by DEWALT.
- Never overreach while operating the lawn mower. Always be sure to keep proper footing and balance at all times while operating the lawn mower.
- Mow across the face of slopes, never up and down. Exercise extreme caution when changing direction on slopes.
- Watch for holes, ruts, bumps, rocks or other hidden objects. Uneven terrain could cause a slip and fall accident. Tall grass can hide obstacles.
- Do not mow on wet grass or excessively steep slopes. Poor footing could cause a slip and fall accident.
- Do not mow near drop-offs, ditches, or embankments. You could lose your footing or balance.
- Always allow the mower to cool down before storing.
- Pull the plug from the socket and pull the battery pack from the machine. Make sure that all moving parts have come to complete stop:
 - Whenever you leave the machine;
 - Before clearing a blockage;

- Before checking, cleaning or working on the appliance.

Safety of Others

- This appliance is not intended for use by persons (including children) with reduced physical, sensory or mental capabilities, or lack of experience and knowledge, unless they have been given supervision or instruction concerning use of the appliance by a person responsible for their safety.
- Children must be supervised to ensure that they do not play with the appliance.
- After striking a foreign object. Inspect the appliance for damage and make repairs as necessary.

Residual Risks

In spite of the application of the relevant safety regulations and the implementation of safety devices, certain residual risks cannot be avoided. These are:

- Injuries caused by touching any rotating/moving parts.
- Injuries caused when changing any parts, blades or accessories.
- Injuries caused by prolonged use of a tool. When using any tool for prolonged periods ensure you take regular breaks.
- Impairment of hearing.
- Health hazards caused by breathing dust developed when using your tool (example:- working with wood, especially oak, beech and MDF.)
- Never pick up or carry an appliance while the motor is running.

SAVE THESE INSTRUCTIONS

Chargers

DEWALT chargers require no adjustment and are designed to be as easy as possible to operate.

Electrical Safety

The electric motor has been designed for one voltage only. Always check that the battery pack voltage corresponds to the voltage on the rating plate. Also make sure that the voltage of your charger corresponds to that of your mains.



Your DEWALT charger is double insulated in accordance with EN60335; therefore no earth wire is required.

If the supply cord is damaged, it must be replaced only by DEWALT or an authorised service organisation.

Mains Plug Replacement (U.K. & Ireland Only)

If a new mains plug needs to be fitted:

- Safely dispose of the old plug.
- Connect the brown lead to the live terminal in the plug.
- Connect the blue lead to the neutral terminal.



WARNING: No connection is to be made to the earth terminal.

Follow the fitting instructions supplied with good quality plugs. Recommended fuse: 3 A.

Using an Extension Cable

An extension cord should not be used unless absolutely necessary. Use an approved extension cable suitable for the power input of your charger (see **Technical Data**). The minimum conductor size is 1 mm²; the maximum length is 30 m.

When using a cable reel, always unwind the cable completely.

Important Safety Instructions for All Battery Chargers

SAVE THESE INSTRUCTIONS: This manual contains important safety and operating instructions for compatible battery chargers (refer to **Technical Data**).

- Before using charger, read all instructions and cautionary markings on charger, battery pack, and product using battery pack.



WARNING: Shock hazard. Do not allow any liquid to get inside charger. Electric shock may result.



WARNING: We recommend the use of a residual current device with a residual current rating of 30mA or less.



CAUTION: Burn hazard. To reduce the risk of injury, charge only DEWALT rechargeable batteries. Other types of batteries may burst causing personal injury and damage.



CAUTION: Children should be supervised to ensure that they do not play with the appliance.

NOTICE: Under certain conditions, with the charger plugged into the power supply, the exposed charging contacts inside the charger can be shorted by foreign material. Foreign materials of a conductive nature such as, but not limited to, steel wool, aluminum foil or any buildup of metallic particles should be kept away from charger cavities. Always unplug the charger from the power supply when there is no battery pack in the cavity. Unplug charger before attempting to clean.

- **DO NOT attempt to charge the battery pack with any chargers other than the ones in this manual.** The charger and battery pack are specifically designed to work together.
- **These chargers are not intended for any uses other than charging DEWALT rechargeable batteries.** Any other uses may result in risk of fire, electric shock or electrocution.
- **Do not expose charger to rain or snow.**
- **Pull by plug rather than cord when disconnecting charger.** This will reduce risk of damage to electric plug and cord.
- **Make sure that cord is located so that it will not be stepped on, tripped over, or otherwise subjected to damage or stress.**
- **Do not use an extension cord unless it is absolutely necessary.** Use of improper extension cord could result in risk of fire, electric shock, or electrocution.
- **Do not place any object on top of charger or place the charger on a soft surface that might block the ventilation slots and result in excessive internal heat.** Place the charger in a position away from any heat source. The

charger is ventilated through slots in the top and the bottom of the housing.

- **Do not operate charger with damaged cord or plug—** have them replaced immediately.
- **Do not operate charger if it has received a sharp blow, been dropped, or otherwise damaged in any way.** Take it to an authorised service centre.
- **Do not disassemble charger; take it to an authorised service centre when service or repair is required.** Incorrect reassembly may result in a risk of electric shock, electrocution or fire.
- In case of damaged power supply cord, the supply cord must be replaced immediately by the manufacturer, its service agent or similar qualified person to prevent any hazard.
- **Disconnect the charger from the outlet before attempting any cleaning. This will reduce the risk of electric shock.** Removing the battery pack will not reduce this risk.
- **NEVER attempt to connect two chargers together.**
- **The charger is designed to operate on standard 230V household electrical power. Do not attempt to use it on any other voltage.** This does not apply to the vehicular charger.

Charging a Battery (Fig. B)

1. Plug the charger into an appropriate outlet before inserting battery pack.
2. Insert the battery pack **23** into the charger, making sure the battery pack is fully seated in the charger. The red (charging) light will blink repeatedly indicating that the charging process has started.
3. The completion of charge will be indicated by the red light remaining ON continuously. The battery pack is fully charged and may be used at this time or left in the charger. To remove the battery pack from the charger, push the battery release button **24** on the battery pack.

NOTE: To ensure maximum performance and life of lithium-ion battery packs, charge the battery pack fully before first use.

Charger Operation

Refer to the indicators below for the charge status of the battery pack.

Charge Indicators	
Charging	Fully Charged
Hot/Cold Pack Delay*	Hot/Cold Pack Delay*

*The red light will continue to blink, but a yellow indicator light will be illuminated during this operation. Once the battery pack has reached an appropriate temperature, the yellow light will turn off and the charger will resume the charging procedure. The compatible charger(s) will not charge a faulty battery pack. The charger will indicate faulty battery by refusing to light.

NOTE: This could also mean a problem with a charger. If the charger indicates a problem, take the charger and battery pack to be tested at an authorised service centre.

Hot/Cold Pack Delay

When the charger detects a battery pack that is too hot or too cold, it automatically starts a Hot/Cold Pack Delay, suspending charging until the battery pack has reached an appropriate temperature. The charger then automatically switches to the pack charging mode. This feature ensures maximum battery pack life.

A cold battery pack will charge at a slower rate than a warm battery pack. The battery pack will charge at that slower rate throughout the entire charging cycle and will not return to maximum charge rate even if the battery pack warms.

The DCB118 charger is equipped with an internal fan designed to cool the battery pack. The fan will turn on automatically when the battery pack needs to be cooled. Never operate the charger if the fan does not operate properly or if ventilation slots are blocked. Do not permit foreign objects to enter the interior of the charger.

Electronic Protection System

XR Li-Ion tools are designed with an Electronic Protection System that will protect the battery pack against overloading, overheating or deep discharge.

The tool will automatically turn off if the Electronic Protection System engages. If this occurs, place the lithium-ion battery pack on the charger until it is fully charged.

Wall Mounting

These chargers are designed to be wall mountable or to sit upright on a table or work surface. If wall mounting, locate the charger within reach of an electrical outlet, and away from a corner or other obstructions which may impede air flow. Use the back of the charger as a template for the location of the mounting screws on the wall. Mount the charger securely using drywall screws (purchased separately) at least 25.4 mm long with a screw head diameter of 7–9 mm, screwed into wood to an optimal depth leaving approximately 5.5 mm of the screw exposed. Align the slots on the back of the charger with the exposed screws and fully engage them in the slots.

Charger Cleaning Instructions



WARNING: Shock hazard. Disconnect the charger from the AC outlet before cleaning. Dirt and grease may be removed from the exterior of the charger using a cloth or soft non-metallic brush. Do not use water or any cleaning solutions. Never let any liquid get inside the tool; never immerse any part of the tool into a liquid.

Battery Packs

Important Safety Instructions for All Battery Packs

When ordering replacement battery packs, be sure to include catalogue number and voltage.

The battery pack is not fully charged out of the carton. Before using the battery pack and charger, read the safety instructions below. Then follow charging procedures outlined.

READ ALL INSTRUCTIONS

- **Do not charge or use battery in explosive atmospheres, such as in the presence of flammable liquids, gases or dust.** Inserting or removing the battery from the charger may ignite the dust or fumes.
- **Never force battery pack into charger. Do not modify battery pack in any way to fit into a non-compatible charger as battery pack may rupture causing serious personal injury.**
- Charge the battery packs only in DeWALT chargers.
- **DO NOT splash or immerse in water or other liquids.**
- **Do not store or use the tool and battery pack in locations where the temperature may fall below 4 °C (39.2 °F) (such as outside sheds or metal buildings in winter), or reach or exceed 40 °C (104 °F) (such as outside sheds or metal buildings in summer).**
- **Do not incinerate the battery pack even if it is severely damaged or is completely worn out.** The battery pack can explode in a fire. Toxic fumes and materials are created when lithium-ion battery packs are burned.
- **If battery contents come into contact with the skin, immediately wash area with mild soap and water.** If battery liquid gets into the eye, rinse water over the open eye for 15 minutes or until irritation ceases. If medical attention is needed, the battery electrolyte is composed of a mixture of liquid organic carbonates and lithium salts.
- **Contents of opened battery cells may cause respiratory irritation.** Provide fresh air. If symptoms persists, seek medical attention.



WARNING: Burn hazard. Battery liquid may be flammable if exposed to spark or flame.



WARNING: Never attempt to open the battery pack for any reason. If battery pack case is cracked or damaged, do not insert into charger. Do not crush, drop or damage battery pack. Do not use a battery pack or charger that has received a sharp blow, been dropped, run over or damaged in any way (i.e., pierced with a nail, hit with a hammer, stepped on). Electric shock or electrocution may result. Damaged battery packs should be returned to service centre for recycling.



WARNING: Fire hazard. Do not store or carry the battery pack so that metal objects can contact exposed battery terminals. For example, do not place the battery pack in aprons, pockets, tool boxes, product kit boxes, drawers, etc., with loose nails, screws, keys, etc.



CAUTION: When not in use, place tool on its side on a stable surface where it will not cause a tripping or falling hazard. Some tools with large battery packs will stand upright on the battery pack but may be easily knocked over.

Transportation



WARNING: Fire hazard. *Transporting batteries can possibly cause fire if the battery terminals inadvertently come in contact with conductive materials. When transporting batteries, make sure that the battery terminals are protected and well insulated from materials that could contact them and cause a short circuit. NOTE: Lithium-ion batteries should not be put in checked baggage.*

DeWALT batteries comply with all applicable shipping regulations as prescribed by industry and legal standards which include UN Recommendations on the Transport of Dangerous Goods; International Air Transport Association (IATA) Dangerous Goods Regulations, International Maritime Dangerous Goods (IMDG) Regulations, and the European Agreement Concerning The International Carriage of Dangerous Goods by Road (ADR). Lithium-ion cells and batteries have been tested to section 38.3 of the UN Recommendations on the Transport of Dangerous Goods Manual of Tests and Criteria.

In most instances, shipping a DeWALT battery pack will be excepted from being classified as a fully regulated Class 9 Hazardous Material. In general, only shipments containing a lithium-ion battery with an energy rating greater than 100 Watt Hours (Wh) will require being shipped as fully regulated Class 9. All lithium-ion batteries have the Watt Hour rating marked on the pack. Furthermore, due to regulation complexities, DeWALT does not recommend air shipping lithium-ion battery packs alone regardless of Watt Hour rating. Shipments of tools with batteries (combo kits) can be air shipped as excepted if the Watt Hour rating of the battery pack is no greater than 100 Wh. Regardless of whether a shipment is considered excepted or fully regulated, it is the shipper's responsibility to consult the latest regulations for packaging, labeling/marketing and documentation requirements.

The information provided in this section of the manual is provided in good faith and believed to be accurate at the time the document was created. However, no warranty, expressed or implied, is given. It is the buyer's responsibility to ensure that its activities comply with the applicable regulations.

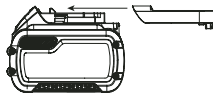
Transporting the FLEXVOLT™ Battery

The DeWALT FLEXVOLT™ battery has two modes: **Use** and **Transport**.

Use Mode: When the FLEXVOLT™ battery stands alone or is in a DeWALT 18V product, it will operate as an 18V battery. When the FLEXVOLT™ battery is in a 54V or a 108V (two 54V batteries) product, it will operate as a 54V battery.

Transport Mode: When the cap is attached to the FLEXVOLT™ battery, the battery is in Transport mode. Keep the cap for shipping.

When in Transport mode, strings of cells are electrically disconnected within the pack resulting in 3 batteries with a



lower Watt hour (Wh) rating as compared to 1 battery with a higher Watt hour rating. This increased quantity of 3 batteries with the lower Watt hour rating can exempt the pack from

certain shipping regulations that are imposed upon the higher Watt hour batteries.

For example, the Transport Wh rating might indicate 3 x 36 Wh, meaning 3 batteries of 36 Wh each.

Example of Use and Transport Label Marking



The Use Wh rating might indicate 108 Wh (1 battery implied).

Storage Recommendations

1. The best storage place is one that is cool and dry away from direct sunlight and excess heat or cold. For optimum battery performance and life, store battery packs at room temperature when not in use.
2. For long storage, it is recommended to store a fully charged battery pack in a cool, dry place out of the charger for optimal results.

NOTE: Battery packs should not be stored completely depleted of charge. The battery pack will need to be recharged before use.

Labels on Charger and Battery Pack

In addition to the pictographs used in this manual, the labels on the charger and the battery pack may show the following pictographs:



Read instruction manual before use.



See **Technical Data** for charging time.



Do not probe with conductive objects.



Do not charge damaged battery packs.



Do not expose to water.



Have defective cords replaced immediately



Charge only between 4 °C and 40 °C.



Only for indoor use.



Discard the battery pack with due care for the environment.

LI-ION



Charge DeWALT battery packs only with designated DeWALT chargers. Charging battery packs other than the designated DeWALT batteries with a DeWALT charger may make them burst or lead to other dangerous situations.



Do not incinerate the battery pack.



USE (without transport cap). Example: Wh rating indicates 108 Wh (1 battery with 108 Wh).



TRANSPORT (with built-in transport cap). Example: Wh rating indicates 3 x 36 Wh (3 batteries of 36 Wh).

Battery Type

The following tools operate on a 18 volt battery pack: DCMWSP564.

These battery packs may be used: DCB181, DCB182, DCB183, DCB183B, DCB183G, DCB184, DCB184B, DCB184G, DCB185, DCB187, DCB189, DCBP034, DCB546, DCB547, DCB548, DCB549. Refer to **Technical Data** for more information.

Package Contents

The package contains:

- 1 Lawn mower
- 1 Grass Collection Bag
- 1 Side Discharge Chute
- 1 Safety Key
- 1 Instruction manual

NOTE: Battery packs, chargers and kitboxes are not included with N models. Battery packs and chargers are not included with NT models. B models include Bluetooth® battery packs.

NOTE: The Bluetooth® word mark and logos are registered trademarks owned by the Bluetooth®, SIG, Inc. and any use of such marks by DEWALT is under license. Other trademarks and trade names are those of their respective owners.

- Check for damage to the tool, parts or accessories which may have occurred during transport.
- Take the time to thoroughly read and understand this manual prior to operation.

Markings on Tool

The following pictograms are shown on the tool:



Read instruction manual before use.



Beware of sharp blades. Blades continue to rotate after the motor is switched off. Remove safety key before maintenance.



Beware of flying objects. Keep bystanders away from the cutting area.



Directive 2000/14/EC guaranteed sound power.



Do not expose to rain.



The blades will continue to rotate after the machine is switched off.

Date Code Position (Fig. A)

The date code **19**, which also includes the year of manufacture, is printed into the housing.

Example:

2021 XX XX

Year and Week of Manufacture

Description (Fig. A)



WARNING: Never modify the power tool or any part of it. Damage or personal injury could result.

- 1 ON-OFF switch box
- 2 ON-OFF button
- 3 Safety key
- 4 Main handle (upper handle)
- 5 Bail handle
- 6 Self drive bail handle
- 7 Handle locks
- 8 Handle brackets
- 9 Handle storage detent holes
- 10 Battery port cover
- 11 Cut height adjust lever
- 12 Rear door cover
- 13 Grass collection bag
- 14 Grass collection bag handle
- 15 Side flap
- 16 Side discharge chute
- 17 Lower handle
- 18 Upper handle knobs

Intended Use

This lawn mower has been designed for professional lawn mowing applications.

DO NOT use under wet conditions or in the presence of flammable liquids or gases.

This lawn mower is a professional lawn care appliance.

DO NOT let children come into contact with the tool.

Supervision is required when inexperienced operators use this tool.

- **Young children and the infirm.** This appliance is not intended for use by young children or infirm persons without supervision.
- This product is not intended for use by persons (including children) suffering from diminished physical, sensory or mental abilities; lack of experience, knowledge or skills unless they are supervised by a person responsible for their safety. Children should never be left alone with this product.

ASSEMBLY AND ADJUSTMENTS



DANGER: To reduce the risk of serious personal injury, turn unit off and remove the safety key and

battery packs before making any adjustments or removing/installing attachments or accessories. An accidental start-up can cause injury.

Adjusting Handle Height (Fig. A, C)

The mower is shipped in storage mode. You will need to adjust the handle to operating position before continuing.

1. To unlock the lower handle **17** from the storage position, twist the two handle lock knobs **7** a quarter turn. The handle lock knobs are located on both sides of the lower handle.
2. Raise the lower handle to the most comfortable operating position, choosing the lower or upper hole on each side bracket. Take care to not pinch or stress the cord.
3. Twist the handle lock knobs a quarter turn, securing the lower handle into position.

Attaching Upper Handle (Fig. A, D)

1. Line up the holes on the bottom of the upper handle **4** with the holes on the top of the lower handle **17**. Take care to not pinch or stress the cord.

NOTE: Make sure the cord is located on the front of both handles. If it is not it may result in the cord tangling and the inability to easily store the mower.

2. From the inside of the lower handle, insert the handle bolt **20** through the two handle holes. Repeat for the opposite side.
3. From the outside of the upper handle, tighten a handle knob **18** onto each handle bolt. Take care to not pinch or stress the cord.

Grass Collection Bag (Fig. E)

 **DANGER:** Turn unit off and remove safety key and battery packs.

1. Lift the rear door cover **12**, remove mulch plug **20**, and place the grass collection bag **13** onto the mower so the bag lugs **16** slide into the slots **17** on the inside plastic surfaces of the handle brackets. Then lower the rear door cover.
2. If installed, remove side discharge chute **16** and make sure side flap **15** is fully down.

Side Discharge (Fig. A, F)

 **DANGER:** Turn unit off and remove safety key and battery packs.


1. To operate mower in side discharge mode, remove the grass collection bag **13** and mulch plug **20**.
2. Be sure rear door cover **12** is closed.
3. Lift the side flap **15** and hook side discharge chute **16** onto the mower.
4. Release the side flap and ensure the side discharge chute holds in place before turning mower on.

Mulching (Fig. A, E, F)

 **DANGER:** Turn unit off and remove safety key and battery packs.

1. To operate mower in mulching mode, remove the grass collection bag **13**.
2. Lift the rear door cover **12** and slide the mulch plug **20** fully into the mower.
3. Be sure rear door cover is closed.
4. If installed, remove side discharge chute **16** and make sure side flap **15** is fully down.

Adjusting Mower Height (Fig. G, H)

 **DANGER:** Never attempt to adjust mower height with the motor running.

The height of cut is adjusted by the front and rear cut height adjustment levers **11**.

NOTE: If you are not sure what height to cut at, begin mowing with the front and rear cut height adjustment levers **11**, positioned at the highest settings and adjust the height down as needed for your application.


To Set the Height of Cut


1. Pull the rear cut height adjustment lever **11** out of the locking notch **25**.
2. Move the lever towards the front of the appliance to raise the height of cut as desired.
3. Move the lever towards the rear of the appliance to lower the height of cut as desired.
4. Push the cut height adjustment lever **11** into one of the locking notches **25** to set the height.
5. Repeat for the front cut height adjustment lever **11** except that the lever is moved towards the rear of the appliance to raise the height of cut, and towards the front of the appliance to lower the height of cut.

NOTE: For best results, the front and rear cut height adjustment levers **11** should be set to the same cut height as indicated by the number next to the notch.


OPERATION


Instructions for Use

 **WARNING:** Always observe the safety instructions and applicable regulations.

 **WARNING:** To reduce the risk of serious personal injury, turn tool off and disconnect battery pack before making any adjustments or removing/installing attachments or accessories. An accidental start-up can cause injury.

Proper Hand Position (Fig. L)


 **WARNING:** To reduce the risk of serious personal injury, ALWAYS use proper hand position as shown.

 **WARNING:** To reduce the risk of serious personal injury, ALWAYS hold securely in anticipation of a sudden reaction.


Proper hand position requires both hands grasping the main handle **4** and bail handle **5** together when not in self-propel mode; and both hands grasping the main handle, bail handle, and self drive bail handle **6** together when in self-propel mode.

READ THIS INSTRUCTION MANUAL BEFORE OPERATING YOUR MOWER

Refer to Figure A at the beginning of this manual for a complete list of components. Save this manual for future reference.


 **DANGER: Sharp moving blade.** Do not operate the mower in mulching mode if the rear door and side discharge door are not closed under spring tension as serious injury could result. Take your mower to the nearest service center for repair.

 **DANGER:** Do not operate mower unless handle is locked into position.

 **DANGER: Sharp moving blade.** Never operate the mower in bagging mode unless the bag lugs on the grass collection bag are seated properly on the mower and the rear discharge door rests firmly against the top of the grass collection bag as serious injury could result.

 **WARNING:** Let the mower work at its own pace. Do not overload.

Installing and Removing the Battery Packs (Fig. H)

 **DANGER: MAKE CERTAIN THE SAFETY KEY IS REMOVED TO PREVENT ACTUATION BEFORE REMOVING OR INSTALLING BATTERIES.**

This mower is designed to operate on two battery packs of equal capacity. The mower will not operate on a single battery pack, and if using different capacity battery packs, the smaller capacity battery pack, when depleted, will cause the unit to turn off and the LED in front of the closed battery port cover to blink. Unit will also turn off and the LED will blink if the battery packs reach a high temperature limit, which can be caused by cutting heavy grass. If this occurs, allow the battery packs to cool and then resume cutting with the deck set higher.

NOTE: For best results, make sure the battery packs **23** are fully charged.

To Install the Battery Packs

1. Lift and hold the battery port cover **10** up to expose the battery ports **19**.
2. Slide a battery pack into the battery port until an audible click is heard. Repeat for the second battery


NOTE: Ensure the battery packs are fully seated and fully latched into position before starting mower.

3. Close the battery port cover. Ensure the cover is fully closed before starting mower.


To Remove the Battery Packs

1. Lift and hold the battery port cover up to expose the battery ports.
2. Depress the battery release buttons **24** on the battery packs and pull the battery packs out of tool.


Safety Key (Fig. J)

 **DANGER: Sharp moving blade.** In order to prevent accidental start-up or unauthorized use of your cordless mower, a removable safety key **3** has been

incorporated into the design of your mower. The mower will be completely disabled when the safety key has been removed from the mower.

 **DANGER: Rotating blades can cause serious injury.**
To prevent serious injury, turn unit off and remove safety key and battery packs when unattended, or when charging, cleaning, servicing, transporting, lifting, or storing mower.

Starting Mower (Fig. I–L)

 **DANGER: Sharp moving blade. Never attempt to override the operation of the switch box and safety key system as serious injury could result.**

 **WARNING:** Ensure self drive is disengaged before starting the mower

NOTE: Mower is operational when battery packs and safety key are installed.

1. Lift and hold the battery port cover **10** up to expose the battery port **19**.
2. Slide a battery pack into the battery port until an audible click is heard. Repeat this process for the second battery port.
NOTE: Ensure the battery packs are fully seated and fully latched into position before starting mower.
3. Close the battery port cover. Ensure the cover is fully closed before starting mower.
4. Insert safety key **3** into the ON-OFF switch box **1** until it is fully seated inside housing. The mower is now operational.
5. Your mower is equipped with a special ON-OFF switch box. To operate the mower, push and hold the ON-OFF button **2** on the ON-OFF switch box, then pull the bail handle **5** to the main handle **4**.


NOTE: Once the mower starts you can release the ON-OFF button, but you must continue to hold the bail handle to the main handle for the mower to run.

6. To turn the mower OFF, release the bail handle.

 **WARNING:** Never attempt to lock a switch or bail handle in the ON position.

NOTE: Once the bail handle has returned to the original position it will activate the "Automatic Braking Mechanism". The motor is braked and the mower blade will stop rotating in three seconds or less. If mower blade rotates longer than three seconds, discontinue using mower and have it serviced.

Variable Speed Self Drive System (Fig. L)

 **DANGER: Sharp moving blade. Never attempt to override the operation of the switch box, the self drive system or the safety key system as serious injury could result.**

Your mower is equipped with variable speed self drive. This system is dependent on the blade ON-OFF switch. It can only be used with the blade spinning.

1. Follow **Starting Mower** instructions.
2. To turn on self drive, hold blade bail handle **5** in place against the main handle **4** with one hand.

3. Pull the self drive speed lever **6** toward the main handle with your other hand.
4. You can hold just the speed lever or hold both bail handle and speed lever simultaneously.
5. To turn off self drive, release the speed lever.

NOTE: When you turn off the self drive, for example at the end of a row, the wheels may become temporarily locked if you pull backwards on the mower. Simply push ahead slightly and then move the mower as required.

NOTE: During cutting, at times it may be easier to maneuver around an object, such as a tree or plants, with the self drive off. The mower can easily be used with the self drive off.

Variable Speed Adjustment Wheel (Fig. L)


Your mower is equipped with a variable speed adjustment wheel **27** located on the bottom of self drive housing **28**. This system adjusts how quickly or slowly the self drive system propels the mower.


1. To increase the speed of the self drive system, rotate the variable speed adjustment wheel in the direction indicated by the arrow located next to the variable speed adjustment wheel.
2. To decrease the speed of the self drive system, rotate the variable speed adjustment wheel in the opposite direction indicated by the arrow located next to the variable speed adjustment wheel.

Mower Overload

To prevent damage due to overload conditions, do not try to remove too much grass at one time. Slow down your cutting pace, or raise the cut height.

Storage (Fig. C, D)

 **DANGER: Rotating blade can cause serious injury.** Release bail handle to turn mower off, remove safety key, and remove battery packs before lifting, transporting, or storing the mower. Store in a dry place.


 **CAUTION: Pinch point.** To avoid being pinched, keep fingers away from area around handle brackets when folding down handles.

The handle of the mower can be easily folded down for quick and convenient storage.

1. On the lower handle, twist the handle lock knobs **7** a quarter turn.
2. Rotate the handle towards the front of the mower. Take care to not pinch or stress the cord.
3. Twist the handle lock knobs a quarter turn to lock the handle into storage position.
4. The mower can be stored standing up, with the collection bag removed, or flat on its wheels.


MAINTENANCE


Your power tool has been designed to operate over a long period of time with a minimum of maintenance. Continuous satisfactory operation depends upon proper tool care and regular cleaning.

 **WARNING: To reduce the risk of serious personal injury, turn tool off and disconnect battery pack before making any adjustments or removing/ installing attachments or accessories.** An accidental start-up can cause injury.

The charger and battery pack are not serviceable.


Removing and Installing Blade (Fig. M, N)

 **DANGER: RISK OF INJURY.** WHEN REASSEMBLING THE BLADE SYSTEM, ENSURE EACH PART IS REINSTALLED CORRECTLY, AS DESCRIBED BELOW. IMPROPER ASSEMBLY OF THE BLADE OR OTHER PARTS OF THE BLADE SYSTEM MAY CAUSE SERIOUS INJURY.

 **DANGER: To reduce the risk of serious personal injury, turn unit off, remove safety key and battery packs before making any adjustments or removing/ installing attachments or accessories.** An accidental start-up can cause injury.

Replacement blades are available from your nearest authorized service center. This mower requires replacement blade DT20682.

1. Cut a piece of 2" x 4" wood **29** (about 2 feet long) (610 mm) to keep blade from turning when removing the blade bolt **30**.

 **WARNING: Use gloves and proper eye protection. Turn the mower on its side. Be careful of sharp edges of blade.**


2. Position wood and unscrew the blade bolt counterclockwise with a 5/8" (16mm) wrench **31** (not included) as shown in Fig. N.
3. Remove blade bolt spring plate **32** and blade **33** as shown in Fig. M. Examine all pieces for damage and replace if necessary.
4. Install sharpened or new blade on shoulder of the blade adapter **34** as shown in Fig. M. Blade has a winged cut out which must match and engage the same shaped projection on the blade adapter.

NOTE: When replacing sharpened or new blade on shoulder of blade adapter make sure the bottom of the blade as marked BOTTOM will be facing the ground when the mower is returned to its normal upright position.

5. Install the spring plate on the blade. Be sure to align the bosses on the spring plate with the detents in the blade, rotating the blade and spring plate together as necessary.
6. Position piece of wood to keep blade from turning as shown in Fig. N. Install blade bolt and securely tighten the blade with a 5/8" (16mm) wrench.

Blade Sharpening

KEEP BLADE SHARP FOR BEST MOWER PERFORMANCE. A DULL BLADE DOES NOT CUT GRASS CLEANLY.

 **WARNING: Use gloves and proper eye protection while removing, sharpening, and installing blade. Ensure that safety key and battery pack are removed.**

Sharpening the blade twice during a mowing season is usually sufficient under normal circumstances. Sand causes the blade to dull quickly. If your lawn has sandy soil, more frequent

sharpening may be required. **REPLACE BENT OR DAMAGED BLADE IMMEDIATELY.**

When Sharpening the Blade:

- Make sure blade remains balanced.
- Sharpen blade at the original cutting angle.
- Sharpen cutting edges on both ends of blade, removing equal amounts of material from both ends.

To Sharpen Blade in a Vise (Fig. O)

1. Be sure the bail handle is released, the blade has stopped and safety key and battery packs are removed before removing the blade.
2. Remove blade from mower. See instructions for **Removing and Installing Blade**.
3. Secure blade **33** in a vise **35**.
4. Wear proper eye protection and gloves and be careful not to cut yourself.
5. Carefully file the cutting edges of the blade with a fine tooth file **37** (not included) or sharpening stone (not included), maintaining the angle of the original cutting edge.
6. Check balance of blade. See instructions for **Blade Balancing**.
7. Replace blade on mower and tighten securely.

Blade Balancing (Fig. P)

Check balance of the blade **33** by placing center hole in the blade over a nail or round screwdriver **36**, clamped horizontally in a vise **35**. If either end of the blade rotates downward, file along the sharp edge of that dropping end. Blade is properly balanced when neither end drops.



Lubrication

Your power tool requires no additional lubrication.



Cleaning



WARNING: Blow dirt and dust out of the main housing with dry air as often as dirt is seen collecting in and around the air vents. Wear approved eye protection and approved dust mask when performing this procedure.



WARNING: Never use solvents or other harsh chemicals for cleaning the non-metallic parts of the tool. These chemicals may weaken the materials used in these parts. Use a cloth dampened only with water and mild soap. Never let any liquid get inside the tool; never immerse any part of the tool into a liquid.

Release bail handle **6** to turn mower off, let the blade come to a stop and then remove the battery packs and safety key. Clean out any clippings which may have accumulated on the underside of the deck. Do not spray water or other liquids. After several uses, check all exposed fasteners for tightness.

Optional Accessories



WARNING: Since accessories, other than those offered by DEWALT, have not been tested with this product, use of such accessories with this tool could be hazardous. To reduce the risk of injury, only DEWALT recommended accessories should be used with this product.

Consult your dealer for further information on the appropriate accessories.

Protecting the Environment



Separate collection. Products and batteries marked with this symbol must not be disposed of with normal household waste.



Products and batteries contain materials that can be recovered or recycled reducing the demand for raw materials. Please recycle electrical products and batteries according to local provisions. Further information is available at www.2helpU.com.

Rechargeable Battery Pack

This long life battery pack must be recharged when it fails to produce sufficient power on jobs which were easily done before. At the end of its technical life, discard it with due care for our environment:

- Run the battery pack down completely, then remove it from the tool.
- Li-Ion cells are recyclable. Take them to your dealer or a local recycling station. The collected battery packs will be recycled or disposed of properly.

2 x 18 В САМОХОДНАЯ КОЛЕСНАЯ ГАЗОНОКОСИЛКА DCMWSP564

Поздравляем!

Вы приобрели инструмент DeWALT. Многолетний опыт, тщательная разработка изделий и инновации делают компанию DeWALT одним из самых надёжных партнеров для пользователей профессионального электроинструмента.

Технические характеристики

		DCMWSP564
Напряжение	В пост. тока	2 x 18
Тип батареи		Ионно-литиевая
Скорость без нагрузки	/мин.	2500
Максимальная скорость	/мин.	2800
Длина ножа	см	53
Вес (без аккумуляторной батареи)	кг	26

Значения шума и вибрации (сумма векторов в трех плоскостях) в соответствии с EN62841-1

L_{PA} (уровень звукового давления)	дБ(A)	76
L_{WA} (уровень акустической мощности)	дБ(A)	87
K (погрешность измерения акустической мощности)	дБ(A)	0,9
Средневзвешенное значение воздействия вибрации на руку/плечо:		
Значение вибрационного воздействия $a_{h\sqrt{}}$	m/c^2	2,5
Погрешность K =	m/c^2	1,5

Значение шумовой эмиссии и/или эмиссии вибрации, указанное в данном справочном листке, было получено в соответствии со стандартным тестом, приведенным в EN60335-1:2012, и может использоваться для сравнения инструментов. Кроме того, оно может использоваться для предварительной оценки воздействия вибрации.

⚠ ОСТОРОЖНО! Заявленное значение шумовой эмиссии и/или эмиссии вибрации относится к основным областям применения инструмента. Однако, если инструмент используется для различных целей, с различными дополнительными принадлежностями или при ненадлежащем уходе, то уровень шума и/или вибрации может измениться. Это может привести к значительному увеличению уровня воздействия вибрации в течение всего рабочего периода.

При расчете приблизительного значения уровня воздействия шума и/или вибрации также необходимо учитывать время, когда инструмент выключен или то время, когда он работает на холостом ходу. Это может привести к

значительному снижению уровня воздействия вибрации в течение всего рабочего периода.

Определите дополнительные меры техники безопасности для защиты оператора от воздействия шума и/или вибрации, а именно: поддержание инструмента и дополнительных принадлежностей в рабочем состоянии, создание комфортных условий работы (соответствующих вибрации), хорошая организация рабочего места.

Декларация о соответствии нормам ЕС Директива по механическому оборудованию



2 x 18 В Колесная газонокосилка DCMWSP564

DeWALT заявляет, что продукция, описанная в разделе «Технические характеристики», соответствует: 2006/42/EC, EN60335-1:2012 + AC:2014 + A11:2014 + A13:2017 + A1:2019 + A14:2019 + A2:2019, EN60335-2-77:2010. Эти продукты также соответствуют Директивам 2014/30/EU и 2011/65/EU.

2000/14/EC, Колесная газонокосилка, $50 < L \leq 70$, Приложение VI DEKRA Testing and Certification GmbH, Handwerkstraße 15, 70565 Stuttgart, Germany
Идентификационный № уведомленного органа: 0158
Уровень акустической мощности в соответствии с директивой 2000/14/EC (Статья 12, Приложение VI, $50 < L \leq 70$ см):

L_{WA} (измеренная акустическая мощность) 87 дБ(A)
Погрешность (K) = 0,9 дБ(A)

L_{WA} (гарантированная акустическая мощность) 98 дБ(A)

За дополнительной информацией обращайтесь в компанию DeWALT по адресу, указанному ниже или приведенному на задней стороне обложки руководства.

Нижеподписавший несет ответственность за составление технической документации и составил данную декларацию по поручению компании DeWALT.

Маркус Ромпель (Markus Rompel)
Вице-президент отдела по разработке и производству,
PTE-Europe
DeWALT, Richard-Klinger-Straße 11,
65510, Idstein, Germany
30.09.2021

Батареи				Зарядные устройства/время зарядки (мин)***									
Кат. №	V _{пост. тока}	Ah	Вес (kg)	DCB104	DCB107	DCB112	DCB113	DCB115	DCB116	DCB117	DCB118	DCB132	DCB119
DCB546	18/54	6,0/2,0	1,08	60	270	170	140	90	80	40	60	90	X
DCB547	18/54	9,0/3,0	1,46	75*	420	270	220	135*	110*	60	75*	135*	X
DCB548	18/54	12,0/4,0	1,46	120	540	350	300	180	150	80	120	180	X
DCB549	18/54	15,0/5,0	2,12	125	730	450	380	230	170	90	125	230	X
DCB181	18	1,5	0,35	22	70	45	35	22	22	22	22	22	45
DCB182	18	4,0	0,61	60/40**	185	120	100	60	60/45**	60/40**	60/40**	60	120
DCB183/B/G	18	2,0	0,40	30	90	60	50	30	30	30	30	30	60
DCB184/B/G	18	5,0	0,62	75/50**	240	150	120	75	75/60**	75/50**	75/50**	75	150
DCB185	18	1,3	0,35	22	60	40	30	22	22	22	22	22	40
DCB187	18	3,0	0,54	45	140	90	70	45	45	45	45	45	90
DCB189	18	4,0	0,54	60	185	120	100	60	60	60	60	60	120
DCBPO34	18	1,7	0,32	27	82	50	40	27	27	27	27	27	50

*Код даты 201811475В или новее

**Код даты 201536 или новее



ВНИМАНИЕ: Во избежание риска получения травм ознакомьтесь с инструкцией.

Обозначения: правила техники безопасности

Ниже описывается уровень опасности, обозначаемый каждым из предупреждений. Прочитайте руководство и обратите внимание на данные символы.



ОПАСНО: Обозначает опасную ситуацию, которая неизбежно приведет к **серьезной травме или смертельному исходу**, в случае несоблюдения соответствующих мер безопасности.



ВНИМАНИЕ: Указывает на потенциально опасную ситуацию, которая, в случае несоблюдения соответствующих мер безопасности, **может** привести к **серьезной травме или смертельному исходу**.



ПРЕДУПРЕЖДЕНИЕ: Указывает на потенциально опасную ситуацию, которая, в случае несоблюдения соответствующих мер безопасности **может** стать причиной травм **средней или легкой степени тяжести**.

ПОЯСНЕНИЕ: Указывает на практики, использование которых не связано с получением травмы, но если ими пренебречь, **могут** привести к **порче имущества**.



Указывает на риск поражения электрическим током.



Указывает на риск возгорания.

Правила техники безопасности



ВНИМАНИЕ: Для снижения риска возникновения пожара, поражения электрическим током, получения травм и материального ущерба при использовании инструментов с питанием от аккумуляторной

батарей нужно обязательно соблюдать основные меры предосторожности, включая следующее.



ВНИМАНИЕ: При использовании инструмента обязательно соблюдайте правила техники безопасности. Для вашей собственной безопасности и безопасности окружающих прочитайте данное руководство, прежде чем приступать к работе с инструментом. Сохраните руководство для дальнейшего использования.

- Прежде чем приступить к работе с инструментом, внимательно прочитайте настоящее руководство.
- В данном руководстве по эксплуатации описывается назначение инструмента. Использование каких-либо принадлежностей или насадок, а также выполнение каких-либо операций, отличных от рекомендованных в данном руководстве, может привести к травмам.
- Сохраните данное руководство для справки в будущем.

СОХРАНИТЕ ВСЕ ИНСТРУКЦИИ ДЛЯ ПОСЛЕДУЮЩЕГО ИСПОЛЬЗОВАНИЯ

Использование инструмента

Сохраняйте бдительность при использовании инструмента.

- Данный инструмент не предназначен для использования несовершеннолетними или лицами с ограниченными возможностями, если они не находятся под присмотром.
- Инструмент не предназначен для игр.
- Не позволяйте детям или животным находиться поблизости от места выполнения работ или прикасаться к инструменту.

- При работе рядом с детьми необходимо особое внимание.
- Используйте только в сухом месте. Не допускайте попадания влаги в инструмент.
- Не погружайте инструмент в воду.
- Запрещается вскрывать корпус. Внутри инструмента нет деталей, обслуживаемых пользователем.
- Не используйте инструмент во взрывоопасной среде, например, при наличии горючих жидкостей, газов или пыли.
- Перед эксплуатацией выполняйте визуальный осмотр ножей, болтов крепления ножей и режущего узла на предмет износа и повреждений. Заменяйте изношенные или поврежденные ножи и болты комплектом, чтобы сохранять надлежащий баланс.
- Не используйте инструмент, если рядом присутствуют посторонние, особенно дети, или домашние животные.
- Учитывайте, что оператор или пользователь несет ответственность за несчастные случаи или опасности, создаваемые другим лицам или их собственности.

Перед использованием

- При эксплуатации инструмента всегда носите толстую обувь и длинные брюки. Запрещается эксплуатировать инструмент босиком или в открытых сандалиях. Не надевайте свободную одежду или одежду, с которой свисают шнуры или ремни.
- Тщательно осмотрите место, где будет эксплуатироваться инструмент и уберите все объекты и предметы, которые могут отлететь от инструмента.
- Перед эксплуатацией выполняйте визуальный осмотр ножа, болта крепления ножа и режущего узла на предмет износа и повреждений. Заменяйте изношенные или поврежденные детали комплектом, чтобы сохранять надлежащий баланс. Заменяйте потертые и нечитаемые этикетки.

После использования

- Если инструмент не используется, его нужно хранить в сухом, хорошо вентилируемом помещении вне досягаемости детей.
- Дети не должны иметь доступа к помещенным на хранение инструментам.
- Если инструмент хранится или транспортируется в транспортном средстве, его нужно поместить в багажник или закрепить, во избежание перемещения в результате резкого изменения скорости или направления движения.

Проверка и ремонт

- Перед началом использования, проверьте инструмент на предмет поврежденных или неисправных деталей. Проверьте наличие сломанных деталей, поврежденных

переключателей, а также прочих условий, способных повлиять на его работу.

- Не используйте инструмент, если какой-либо его компонент поврежден или неисправен.
- Поврежденные или неисправные детали должен исправить или заменить уполномоченный специалист по ремонту.
- Не пытайтесь снимать или заменять какие-либо компоненты, отличные от указанных в данном руководстве.
- Будьте осторожны при настройке газонокосилки. Не допускайте попадания пальцев между движущимися ножами/частями и неподвижными частями инструмента.
- При обслуживании ножей следует помнить, что, несмотря на то, что источник питания выключен, ножи остаются в движении.

Дополнительные инструкции по технике безопасности для газонокосилок

- Не перевозите инструмент, подключенный к источнику питания.
- Плотно удерживайте рукоятки обеими руками при работе с газонокосилкой.
- Если вы посчитаете, что колесную газонокосилку необходимо наклонить, удерживайте обе руки в рабочем положении и плотно держите рукоятку. Удерживайте обе руки в рабочем положении, пока газонокосилка не вернется в горизонтальное положение.
- Запрещается носить радиоприемник и наушники во время эксплуатации газонокосилки.
- Запрещается регулировать высоту колес во время работы двигателя или когда ключ безопасности находится в замке.
- Если газонокосилка глохнет, отпустите скобу управления для отключения газонокосилки, затем дождитесь остановки ножей перед тем как попытаться устранить затор.
- Держите руки подальше от зоны резки.
- Следите за остротой заточки пильных полотен. При работе с ножами газонокосилки обязательно используйте защитные перчатки.
- Если вы используете травосборник, регулярно проверяйте его на предмет износа и повреждений. В случае обнаружения признаков износа из соображений безопасности необходимо заменить травосборник.
- Соблюдайте особую осторожность при перемещении газонокосилки назад/на себя.
- Не кладите руки и ноги под колесную газонокосилку. Содержите отверстие выброса чистым.
- Очистите область эксплуатации колесной газонокосилки от посторонних предметов, таких как камни, палки, провода, игрушки, кости и т. д., которые могут быть выброшены ножом. Предметы, попавшие в

ножи, могут привести к тяжелым травмам. Во время работы электродвигателя вы должны находиться за рукояткой.

- Запрещается эксплуатировать колесную газонокосилку босиком или в открытых сандалиях. Надевайте прочную обувь.
- Не тяните колесную газонокосилку назад, если этого можно избежать. Перед тем как переместиться назад, проверьте, нет лизади помех.
- Не направляйте выбрасываемые материалы на людей. Не направляйте выбрасываемые материалы на стены и прочие предметы. Они могут отлететь обратно в оператора. Отпускайте скобу управления для отключения газонокосилки и дождитесь остановки ножа перед тем как пройти по области с травой.
- Эксплуатация колесной газонокосилки со снятыми компонентами, такими как травосборник, желоб для выброса травы, задняя крышка и т. п., запрещена. Время от времени проверяйте средства обеспечения безопасности и защитные устройства, убеждайтесь, что они находятся в исправном состоянии и способны выполнять свою предназначенную функцию. Перед тем как продолжить эксплуатацию, необходимо заменить поврежденные средства обеспечения безопасности.
- Не оставляйте работающую газонокосилку без присмотра.
- Перед тем как очищать газонокосилку, опустошать травосборник, очищать желоб для выброса травы, отойти от газонокосилки или выполнить какие-либо регулировки и проверки, отпустите скобу управления и дождитесь полной остановки двигателя.
- Эксплуатируйте газонокосилку только при дневном свете или при хорошем искусственном освещении, когда объекты на пути ножа газонокосилки хорошо видны.
- Не работайте с газонокосилкой, если вы устали, находитесь в состоянии наркотического, алкогольного опьянения или под воздействием лекарственных препаратов. Сохраняйте бдительность, следите за своими действиями и пользуйтесь здравым смыслом.
- Избегайте опасных зон. Эксплуатация колесной газонокосилки на влажной траве и во время дождя запрещена. Всегда сохраняйте устойчивое положение, не бегайте.
- В случае обнаружения нестандартной вибрации немедленно отпустите скобу управления, дождитесь полной остановки ножа и выявите причину неисправности. Обычно вибрации являются признаком неисправности. Обратитесь к разделу «Поиск и устранение неисправностей», в случае возникновения чрезмерной вибрации.
- При работе с газонокосилкой носите надлежащие средства защиты глаз и органов дыхания.
- Использование любых принадлежностей и приспособлений не рекомендуется с данной колесной газонокосилкой и может быть опасным. Используйте

только принадлежности, утвержденные компанией DeWALT.

- Не пытайтесь дотянуться колесной газонокосилкой до слишком удаленных поверхностей. Во время эксплуатации газонокосилки старайтесь сохранять устойчивое положение и равновесие.
- Работайте вдоль поверхности уклона, а не вверх и вниз. Соблюдайте особую осторожность, изменяя направление движения на склоне.
- Остерегайтесь ям, рытвин, неровностей, камней и прочих опасных объектов. Неровный рельеф местности может привести к падению. В высокой траве могут скрываться препятствия.
- Запрещается косить мокрую траву и работать колесной газонокосилкой на слишком отвесных склонах. Неустойчивое положение тела может привести к падению.
- Не используйте колесную газонокосилку вблизи обрывов, канав или насыпей. Вы можете потерять устойчивость или равновесие.
- Перед тем, как убрать газонокосилку на хранение, позвольте ей остыть.
- Выньте штекер из розетки и извлеките аккумуляторную батарею из инструмента. Убедитесь, что все движущиеся части полностью остановились:
 - Перед тем как оставить инструмент;
 - Перед тем как удалить затор;
 - Перед тем как проверить, очистить или работать с инструментом.

Безопасность окружающих

- Данный инструмент не предназначен для использования лицами (включая детей) с ограниченными физическими, сенсорными или ментальными возможностями, а также лицами без достаточного опыта и знаний, если только они не делают этого под руководством лица имеющего соответствующий опыт и отвечающего за их безопасность.
- Не позволяйте детям играть с данным инструментом.
- После удара об инородный предмет. Проверьте инструмент на предмет повреждений и выполните необходимый ремонт.

Остаточные риски

Несмотря на соблюдение соответствующих инструкций по технике безопасности и использование предохранительных устройств, некоторые остаточные риски невозможно полностью исключить. А именно:

- Травмы в результате касания вращающихся/ движущихся частей.
- Травмы, которые могут произойти при замене деталей, ножей или насадок.
- Травмы, связанные с продолжительным использованием инструмента. При использовании любого инструмента

в течение продолжительного периода времени не забываюте делать перерывы.

- Ухудшение слуха.
- Ущерб здоровью в результате вдыхания пыли в процессе работы инструментом (например, при обработке древесины, в особенности, дуба, бука и МДФ.)
- Запрещается поднимать и переносить инструмент, когда двигатель работает.

СОХРАНИТЕ НАСТОЯЩЕЕ РУКОВОДСТВО

Зарядные устройства

Зарядные устройства DEWALT не требуют регулировки и максимально просты в использовании.

Электробезопасность

Электродвигатель рассчитан на работу только при одном напряжении сети. Необходимо обязательно убедиться в том, что напряжение источника питания соответствует указанному на шильдике устройства. Необходимо также убедиться в том, что напряжение работы зарядного устройства соответствует напряжению в сети.



Зарядное устройство DEWALT оснащено двойной изоляцией в соответствии с требованиями EN60335; поэтому провод заземления не требуется.

В случае повреждения кабеля питания его необходимо заменить специально подготовленным кабелем, который можно приобрести в сервисных центрах DEWALT.

Использование удлинительного кабеля

Используйте удлинитель только в случаях крайней необходимости. Используйте только утвержденные удлинители промышленного изготовления, рассчитанные на мощность не меньшую, чем потребляемая мощность зарядного устройства (см. **Технические характеристики**). Минимальное поперечное сечение провода электрического кабеля должно составлять 1 мм²; максимальная длина 30 м. При использовании кабельного барабана всегда полностью разматывайте кабель.

Важные инструкции по технике безопасности для всех зарядных устройств

СОХРАНИТЕ НАСТОЯЩЕЕ РУКОВОДСТВО. В данном руководстве содержатся важные инструкции по технике безопасности для совместимых зарядных устройств (см. **Технические характеристики**).

- Перед тем как использовать зарядное устройство, внимательно изучите все инструкции и предупреждающие этикетки на зарядном устройстве, батарее и инструменте, для которого используется батарея.



ВНИМАНИЕ: Опасность поражения электрическим током. Не допускайте попадания жидкостей в зарядное устройство. Это может привести к поражению электрическим током.



ВНИМАНИЕ: Рекомендуется использовать устройство защитного отключения (УЗО) с током утечки до 30 мА.



ВНИМАНИЕ: Опасность ожога. Во избежание травм, следует использовать только аккумуляторные батареи производства DEWALT. Использование батарей другого типа может привести к взрыву, травмам и повреждениям.



ПРЕДУПРЕЖДЕНИЕ: Не позволяйте детям играть с данным устройством.

ПОЯСНЕНИЕ: В определенных условиях, при подключении зарядного устройства к источнику питания, может произойти короткое замыкание контактов внутри зарядного устройства посторонними материалами. Не допускайте попадания в полость зарядного устройства таких токопроводящих материалов, как стальная стружка, алюминиевая фольга или другие металлические частицы и т. п. Всегда отключайте зарядное устройство от источника питания, если в нем нет аккумуляторной батареи. Всегда отключайте зарядное устройство от сети перед тем, как приступить к очистке инструмента

- **НЕ ПЫТАЙТЕСЬ** заряжать батарею с помощью каких-либо других зарядных устройств, кроме тех, которые указаны в данном руководстве. Зарядное устройство и батарея предназначены для совместного использования.
- Эти зарядные устройства не предназначены ни для какого другого использования, помимо зарядки аккумуляторных батарей DEWALT. Использование любых других батарей может привести к возгоранию, поражению электротоком или гибели от электрического шока.
- Не подвергайте зарядное устройство воздействию снега или дождя.
- При отключении зарядного устройства от сети всегда тяните за штепсельную вилку, а не за кабель. Это поможет избежать повреждения штепсельной вилки и розетки.
- Убедитесь в том, что кабель расположен таким образом, чтобы на него не наступили, не споткнулись об него, а также в том, что он не натянут и не может быть поврежден.
- Не используйте удлинительный кабель без крайней необходимости. Использование удлинительного кабеля неподходящего типа может привести к пожару или поражению электрическим током.
- Не ставьте на зарядное устройство никакие предметы и не устанавливайте зарядное устройство на мягкую поверхность, которая может закрыть вентиляционные отверстия и привести к перегреву. Не размещайте зарядное устройство поблизости от источников тепла. Вентиляция зарядного устройства происходит

с помощью отверстий в верхней и нижней части корпуса.

- **Не используйте зарядное устройство при наличии поврежденной кабеля или штепсельной вилки** – в этом случае необходимо немедленно их заменить.
- **Не используйте зарядное устройство, если его роняли, либо если оно подвергалось сильным ударам или было повреждено каким-либо иным образом.** Обратитесь в авторизованный сервисный центр.
- **Не разбирайте зарядное устройство. При необходимости обратитесь в специализированный сервисный центр, если нужно провести обслуживание или ремонт инструмента.** Неправильная сборка может стать причиной пожара или поражения электрическим током.
- В случае повреждения кабеля питания его необходимо немедленно заменить у производителя, в его сервисном центре или с привлечением другого специалиста аналогичной квалификации для предотвращения несчастного случая.
- **Перед очисткой отключите зарядное устройство от сети. В противном случае, это может привести к поражению электрическим током.** Извлечение аккумуляторной батареи не приведет к снижению степени этого риска.
- **НИКОГДА не подключайте два зарядных устройства вместе.**
- **Зарядное устройство предназначено для работы при стандартном напряжении сети в 230 В. Не пытайтесь использовать его при каком-либо ином напряжении.** Это не относится к автомобильному зарядному устройству.

Зарядка батареи (Рис. [Fig.] B)

1. Перед установкой батареи подключите зарядное устройство к соответствующей сетевой розетке.
2. Вставьте аккумуляторную батарею **23** в зарядное устройство, убедившись в том, что она хорошо установлена. Красный индикатор зарядки начнет мигать. Это означает, что процесс зарядки начался.
3. По окончании зарядки красный индикатор будет гореть непрерывно, не мигая. Теперь батарея полностью заряжена, и ее можно использовать или оставить в зарядном устройстве. Чтобы извлечь аккумуляторную батарею из зарядного устройства, нажмите кнопку фиксатора батареи **24** и извлеките батарею.

ПРИМЕЧАНИЕ: Чтобы обеспечить максимальную производительность и срок службы литий-ионных батарей, перед первым использованием полностью зарядите аккумуляторную батарею.

Работа с зарядным устройством

См. состояние зарядки аккумуляторной батареи на приведенных ниже индикаторах.

Индикаторы зарядки



*В это время красный индикатор продолжит мигать, а когда начнется зарядка, загорится желтый. После того, как батарея достигнет рабочей температуры, желтый индикатор погаснет, и зарядка продолжится.

Зарядное(-ые) устройство(-а) не может(-гут) полностью зарядить неисправную аккумуляторную батарею. При неисправной аккумуляторной батарее, индикатор на зарядном устройстве не загорится.

ПРИМЕЧАНИЕ: Также это может указывать на проблему с зарядным устройством.

Если зарядное устройство указывает на наличие проблемы, проверьте аккумулятор и зарядное устройство в специализированном сервисном центре.

Температурная задержка

Если температура батареи слишком низкая или слишком высокая, зарядное устройство автоматически переходит в режим температурной задержки; при этом зарядка не начинается до тех пор, пока батарея не достигнет нужной температуры. После того, как нужный уровень температуры будет достигнут, устройство перейдет в режим зарядки. Данная функция обеспечивает максимальный срок эксплуатации батареи.

Зарядка холодной батареи занимает больше времени, чем теплой. Аккумуляторная батарея заряжается медленнее во время цикла зарядки и максимального заряда не удастся добиться даже после того, как аккумуляторная батарея будет теплой.

Зарядное устройство DCB118 оснащено внутренним вентилятором для охлаждения батареи. Вентилятор включится автоматически, если батарея нуждается в охлаждении. Не используйте зарядное устройство, если вентилятор не функционирует или если забиты вентиляционные отверстия. Не позволяйте посторонним предметам попадать внутрь зарядного устройства.

Система электронной защиты

Литий-ионные аккумуляторные батареи XR оснащены системой электронной защиты, которая защищает аккумуляторную батарею от перегрузки, перегрева или глубокой разрядки.

При срабатывании системы электронной защиты инструмент автоматически отключается. В этом случае поставьте литий-ионную батарею на зарядку до тех пор, пока она полностью не зарядится.

Крепление на стену

Данные зарядные устройства могут крепиться на стены или устанавливаться на стол или рабочую поверхность. При креплении на стену расположите зарядное устройство

в пределах досягаемости розетки и подальше от углов и других препятствий, которые могут помешать потоку воздуха. Используйте заднюю часть зарядного устройства в качестве образца для положения монтажных болтов на стене. Надежно закрепите зарядное устройство при помощи саморезов (приобретаются отдельно) длиной минимум в 25,4 мм с диаметром шляпки самореза в 7–9 мм, вкрученных в дерево до оптимальной глубины, оставляющей на поверхности примерно 5,5 мм самореза. Совместите отверстия на задней стороне зарядного устройства с выступающими саморезами и полностью вставьте их в отверстия.

Инструкции по очистке зарядного устройства



ВНИМАНИЕ: Опасность поражения электрическим током. Перед очисткой отключите зарядное устройство от сети питания. Грязь и жир можно удалить с наружной поверхности зарядного устройства с помощью тряпки или мягкой неметаллической щетки. Не используйте воду или чистящие растворы. Не допускайте попадания жидкости внутрь инструмента; никогда не погружайте никакие из деталей инструмента в жидкость.

Аккумуляторные батареи

Важные инструкции по технике безопасности для всех батарей

При заказе запасных батарей не забудьте указать номер по каталогу и напряжение.

При покупке батарея заряжена не полностью. Перед тем, как использовать батарею и зарядное устройство, прочтите следующие инструкции по технике безопасности. Затем выполните необходимые действия для зарядки.

ВНИМАТЕЛЬНО ПРОЧИТЕ ВСЕ ИНСТРУКЦИИ

- **Не заряжайте и не используйте батарею во взрывоопасной атмосфере, например, при наличии горючих жидкостей, газов или пыли.** Установка или удаление батареи из зарядного устройства может привести к воспламенению пыли или газов.
- **Никогда не прилагайте больших усилий, вставляя батарею в зарядное устройство. Не вносите изменения в конструкцию батарей с целью установить их в зарядное устройство, к которому они не подходят. Это может привести к серьезным травмам.**
- Заряжайте батареи только с помощью зарядных устройств DEWALT.
- **НЕ ПРОЛИВАЙТЕ** на них и не погружайте их в воду или другие жидкости.
- **Не храните и не используйте данное устройство и батарею при температуре выше 40 °C (например, на внешних пристройках или на металлических поверхностях зданий в летнее время).**

- **Не сжигайте батареи, даже поврежденные или полностью отработавшие.** При попадании в огонь батареи могут взорваться. При сжигании литий-ионных батарей образуются токсичные вещества и газы.
- **При попадании содержимого батареи на кожу, немедленно промойте это место водой с мылом.** При попадании содержимого батареи в глаза, необходимо промыть открытые глаза проточной водой в течение 15 минут или до тех пор, пока не пройдет раздражение. При необходимости обращения к врачу, может пригодиться следующая информация: электролит представляет собой смесь жидких органических углекислых и литиевых солей.
- **При вскрытии батареи, ее содержимое может вызвать раздражение дыхательных путей.** Обеспечьте наличие свежего воздуха. Если симптомы сохраняются, обратитесь к врачу.



ВНИМАНИЕ: Опасность ожога. Содержимое батареи может воспламениться при попадании искр или огня.



ВНИМАНИЕ: Ни в коем случае не разбирайте батарею. При наличии трещин или других повреждений батареи, не устанавливайте ее в зарядное устройство. Не роняйте батарею и не подвергайте ее ударам или другим повреждениям. Не используйте батарею или зарядное устройство после удара, падения или получения каких-либо других повреждений (например, после того, как ее проткнули гвоздем, ударили молотком или наступили на нее). Это может привести к удару или поражению электрическим током. Поврежденные батареи необходимо вернуть в сервисный центр для повторной переработки.



ВНИМАНИЕ: Риск воспламенения. Избегайте замыкания выводов батарей металлическими предметами во время хранения или переноски. Например, не кладите аккумуляторные батареи в передники, карманы, ящики для инструментов, выдвижные ящики и т. п. с гвоздями, гайками, ключами и т. п.



ПРЕДУПРЕЖДЕНИЕ: Когда устройство не используется, кладите его на бок на устойчивую поверхность в таком месте, где оно не может упасть и об него нельзя споткнуться. Некоторые устройства с батареями большого размера, стоят сверху на батарее, и могут легко упасть.

Транспортировка



ВНИМАНИЕ: Риск воспламенения. При транспортировке аккумуляторных батарей может произойти возгорание, если терминалы аккумуляторных батарей случайно будут замкнуты электропроводящими материалами. При транспортировке аккумуляторных батарей убедитесь в том, что терминалы защищены

и хорошо изолированы от материалов, контакт с которыми может привести к короткому замыканию.

ПРИМЕЧАНИЕ: Литий-ионные аккумуляторные батареи запрещается сдавать в багаж.

Батареи DEWALT соответствуют всем применимым правилам транспортировки, как предусмотрено промышленными и юридическими стандартами, включая рекомендации ООН по транспортировке опасных грузов; Ассоциация международных авиаперевозчиков (IATA) правила перевозки опасных грузов, Международные правила перевозки опасных грузов морским путем (IMDG), и европейское соглашение о международной дорожной перевозке опасных грузов (ADR). Литий-ионные элементы и аккумуляторные батареи были протестированы в соответствии с разделом 38.3 Рекомендаций ООН по транспортировке опасных грузов руководства по тестам и критериям.

В большинстве случаев транспортировка аккумуляторных батарей DEWALT не попадает под классификацию, поскольку они не являются опасными материалами Класса 9. В целом, полностью под правила Класса 9 подпадают только перевозки литий-ионных батарей с энергоемкостью выше 100 Ватт час (Вт ч). Энергоемкость всех литий-ионных аккумуляторных батарей в Ватт-часах указана на упаковке. Кроме того, из-за сложности правил, DEWALT не рекомендует перевозку литий-ионных батарей по воздуху вне зависимости от их энергоемкости. Поставки инструментов с батареями (комбинированные наборы) могут перевозиться по воздуху согласно исключениям, если энергоемкость батареи не превышает 100 Вт ч.

Независимо от того, является ли перевозка исключением или выполняется по правилам, перевозчик должен уточнить последние требования к упаковке, маркировке и оформлению документации.

Информация, изложенная в данном руководстве обоснована и на момент создания данного документа может считаться точной. Но эта гарантия не является ни выраженной, ни подразумеваемой. Покупатель должен обеспечить то, что бы его деятельность соответствовала всем применимым законам.

Транспортировка батареи FLEXVOLT™

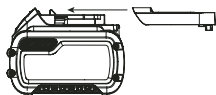
Батарея DEWALT FLEXVOLT™ оснащена двумя режимами: **эксплуатация и транспортировка.**

Режим эксплуатации: если батарея FLEXVOLT™ используется отдельно или в изделии DEWALT на 18 В, то она будет работать в качестве батареи 18 В. Если батарея FLEXVOLT™ используется в изделии на 54 В или 108 В (две батареи 54 В), то она будет работать в качестве батареи 54 В.

Режим транспортировки: если к батарее FLEXVOLT™ прикреплена крышка, то батарея находится в режиме транспортировки. Сохраните крышку для транспортировки.

При режиме транспортировки ряды элементов электрически отсоединяются внутри батареи, что в итоге дает

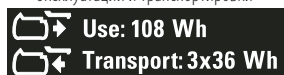
3 батареи с более низкой энергоемкостью в ватт-часах (Вт ч)



по сравнению с 1 батареей с более высокой емкостью в ватт-часах. Данное увеличенное количество в 3 батареи с более низкой энергоемкостью может исключить комплект из некоторых ограничений на перевозку, налагаемых на батарею с более высокой энергоемкостью.

Например, энергоемкость в режиме транспортировки указана как 3 × 36 Вт ч, что может означать 3 батареи с емкостью в 36 Вт ч каждая. Энергоемкость в режиме эксплуатации указана как 108 Вт ч (подразумевается 1 батарея).

Пример маркировки режимов эксплуатации и транспортировки



Рекомендации по хранению

1. Лучшим местом для хранения является прохладное и сухое место, защищенное от прямых солнечных лучей, высокой или низкой температуры. Для оптимальной работы и продолжительного срока службы, храните неиспользуемые аккумуляторные батареи при комнатной температуре.
2. Для достижения максимальных результатов при продолжительном хранении рекомендуется полностью зарядить батарейный комплект и хранить его в прохладном сухом месте вне зарядного устройства.

ПРИМЕЧАНИЕ: Аккумуляторные батареи не должны храниться в полностью разряженном состоянии. Перед использованием аккумуляторная батарея требует повторной зарядки.

Маркировка на зарядном устройстве и аккумуляторной батарее

Помимо пиктограмм, используемых в данном руководстве, на зарядном устройстве и батарее имеются следующие обозначения:



Перед началом работы прочтите руководство по эксплуатации.



Чтобы узнать время зарядки, см. **Технические характеристики.**



Не касайтесь токопроводящими предметами контактов батареи и зарядного устройства.



Не пытайтесь заряжать поврежденную батарею.



Не подвергайте электроинструмент или его элементы воздействию влаги.



Немедленно заменяйте поврежденный кабель питания.



Зарядку осуществляйте только при температуре от 4 °С до 40 °С.



Для использования внутри помещений.



Утилизируйте отработанные батареи безопасным для окружающей среды способом.



Заряжайте аккумуляторные батареи DEWALT только с помощью соответствующих зарядных устройств DEWALT. Зарядка иных аккумуляторных батарей, кроме DEWALT на зарядных устройствах DEWALT может привести к возгоранию аккумуляторных батарей и возникновению других опасных ситуаций.



Не сжигайте аккумуляторную батарею.



ЭКСПЛУАТАЦИЯ (без крышки для транспортировки).
Пример: энергоемкость указана как 108 Вт ч (1 батарея с 108 Вт ч).



ТРАНСПОРТИРОВКА (с крышкой для транспортировки). Пример: энергоемкость указана как 3 x 36 Вт ч (3 батареи по 36 Вт ч).

Тип батареи

DCMWS564 работает от аккумуляторной батареи напряжением 18 В.

Могут применяться следующие типы батарей: DCB181, DCB182, DCB183, DCB183B, DCB184, DCB184B, DCB185, DCB187, DCB189, DCB546, DCB547, DCB548. Подробную информацию см. в **Технических характеристиках**.

Комплект поставки

В упаковку входят:

- 1 Колесная газонокосилка
- 1 Травосборник
- 1 Боковой разгрузочный желоб
- 1 Ключ безопасности
- 1 Руководство по эксплуатации

ПРИМЕЧАНИЕ: Аккумуляторные батареи, зарядные устройства и инструментальные ящики не входят в комплект поставки для моделей N. Аккумуляторные батареи и зарядные устройства не входят в комплект поставки для моделей NT. Модели V оснащены аккумуляторной батареей Bluetooth®.

ПРИМЕЧАНИЕ: Словесный товарный знак и логотип Bluetooth® являются зарегистрированными товарными знаками Bluetooth®, SIG, Inc. любое использование этих знаков DEWALT лицензировано. Другие торговые марки и названия принадлежат их владельцам.

- Проверьте инструмент, детали и дополнительные принадлежности на предмет повреждений, которые могли произойти во время транспортировки.
- Перед эксплуатацией внимательно прочтите данное руководство.

Маркировка инструмента

На инструмент нанесены следующие обозначения:



Перед началом работы прочтите руководство по эксплуатации.



Остерегайтесь острых ножей. Ножи продолжают вращаться после выключения электродвигателя. Перед обслуживанием снимите отключающее устройство.



Остерегайтесь разлетающихся предметов. Не допускайте присутствия посторонних лиц в области кошения.



Гарантированная акустическая мощность по директиве 2000/14/EC.



Не оставляйте инструмент под дождем.



Режущие части продолжают вращаться после выключения инструмента.

Место положения кода даты (Рис. А)

Код даты **19**, который также включает в себя год изготовления, отштампован на поверхности корпуса инструмента.

Пример:

2021 XX XX
Год изготовления

Описание (Рис. А)



ВНИМАНИЕ: Никогда не вносите изменения в конструкцию электроинструмента или какой-либо его части. Это может привести к повреждениям или травмам.

- 1 Блок выключателя
- 2 Кнопка включения/выключения
- 3 Ключ безопасности
- 4 Основная рукоятка (верхняя рукоятка)
- 5 Скоба управления
- 6 Рычаг системы автоматического привода
- 7 Зажимные ручки рукоятки
- 8 Кронштейны рукоятки
- 9 Отверстия для хранения рукояток
- 10 Крышка аккумулятора
- 11 Рычаг регулировки высоты кошения
- 12 Задняя дверца
- 13 Травосборник
- 14 Рукоятка травосборника
- 15 Боковая заслонка
- 16 Боковой разгрузочный желоб
- 17 Нижняя рукоятка
- 18 Зажимные ручки верхней рукоятки

Назначение

Данная газонокосилка предназначена для профессионального кошения газонов.

НЕ ИСПОЛЬЗУЙТЕ в условиях повышенной влажности или близости от легковоспламеняющихся жидкостей или газов.

Эта газонокосилка является профессиональным инструментом для ухода за газоном.

НЕ ПОЗВОЛЯЙТЕ детям прикасаться к инструменту.

Использование инструмента неопытными пользователями должно происходить под контролем опытного лица.

- **Малолетние дети и люди с ограниченными физическими возможностями.** Этот инструмент не предназначен для использования малолетними детьми или людьми с ограниченными физическими возможностями кроме как под контролем лица, отвечающего за их безопасность.
- Данный инструмент не предназначен для использования лицами (включая детей) с ограниченными физическими, психическими и умственными возможностями, не имеющими опыта, знаний или навыков работы с ним, если они не находятся под наблюдением лица, ответственного за их безопасность. Никогда не оставляйте детей без присмотра с этим инструментом.

СБОРКА И РЕГУЛИРОВКА

⚠ ОПАСНО: Чтобы снизить риск получения тяжелой травмы, выключайте инструмент и извлекайте ключ безопасности и аккумуляторные батареи перед выполнением любых действий по регулировке или перед снятием/установкой дополнительных принадлежностей или насадок. Случайный запуск может привести к травме.

Регулировка высоты рукоятки (Рис. А, С)

Газонокосилка поставляется в сложенном виде. Перед тем как начать работу, необходимо отрегулировать рукоятку и установить ее в рабочее положение.

1. Чтобы разблокировать нижнюю рукоятку **17** из положения хранения, поверните две зажимные ручки рукоятки **7** на четверть оборота. Зажимные ручки рукоятки **7** расположены по обеим сторонам нижней рукоятки **17**.
2. Установите нижнюю рукоятку в рабочее положение. Следите за тем, чтобы не защемить и не повредить провод.
3. Поверните зажимные ручки **7** на четверть оборота, чтобы зафиксировать нижнюю рукоятку в положении.

Установка верхней рукоятки (Рис. А, D)

1. Совместите отверстия в нижней части верхней рукоятки **4** с отверстиями в верхней части нижней рукоятки **17**. Следите за тем, чтобы не защемить и не повредить провод.

ПРИМЕЧАНИЕ: Убедитесь в том, что провод лежит поверх обеих ручек. В противном случае он может запутаться и помешать хранению косилки.

2. С внутренней стороны нижней рукоятки **4** вставьте болт рукоятки **20** через два отверстия в рукоятке. Повторите с другой стороны.
3. С внешней стороны верхней рукоятки затяните зажимную ручку **18** на каждом из болтов рукоятки **20**. Следите за тем, чтобы не защемить и не повредить провод.

Травосборник (Рис. E)

⚠ ОПАСНО: Выключите инструмент и извлеките ключ безопасности и аккумуляторную батарею.

1. Поднимите заднюю дверцу **11** и поместите травосборник **12** в газонокосилку, чтобы язычки **16** вошли в прорези **17** на внутренних пластиковых поверхностях кронштейнов рукоятки, как показано на Рис. G. Опустите заднюю дверцу.
2. Если уже установлен, снимите боковой разгрузочный желоб **16** и убедитесь, что заслонка **15** полностью опущена.

Боковая разгрузка (Рис. A, F)

⚠ ОПАСНО: Выключите инструмент и извлеките ключ безопасности и аккумуляторную батарею.

1. Для использования газонокосилки в режиме боковой разгрузки, снимите травосборник **13**.
2. Убедитесь, что задняя дверца **12** закрыта.
3. Поднимите боковую заслонку **15** и закрепите боковой разгрузочный желоб **16** на газонокосилке.
4. Отпустите боковую заслонку и убедитесь, что боковой разгрузочный желоб **16** держится на месте, прежде чем включать газонокосилку.

Мульчирование (Рис. A, E, F)

⚠ ОПАСНО: Выключите инструмент и извлеките ключ безопасности и аккумуляторную батарею.

1. Для использования газонокосилки в режиме мульчирования, снимите травосборник **13**.
2. Убедитесь, что задняя дверца **12** закрыта.
3. Если уже установлен, снимите боковой разгрузочный желоб **16** и убедитесь, что заслонка **15** полностью опущена.

Регулировка высоты газонокосилки (Рис. G, H)

⚠ ОПАСНО: Никогда не пытайтесь отрегулировать высоту газонокосилки при включенном двигателе.

Высота кошения настраивается с помощью заднего и переднего рычагов регулировки высоты кошения **11**.

ПРИМЕЧАНИЕ: Если вы не уверены, какую высоту выбрать, начните скашивать траву, установив передний и задний



рычаги регулировки высоты кошения **11** на самое высокое значение и регулируйте высоту по мере необходимости.

Установка высоты скашивания



1. Извлеките задний рычаг регулировки высоты кошения **11** из фиксирующей канавки **25**.
2. Переместите рычаг в сторону передней части инструмента для увеличения высоты скашивания.
3. Переместите рычаг в сторону задней части инструмента для уменьшения высоты скашивания.
4. Вставьте рычаг регулировки высоты кошения **11** в одну из регулировочных канавок **25**, чтобы установить высоту.
5. Выполните те же действия с передним рычагом регулировки высоты кошения **11**, за исключением того, что для увеличения высоты скашивания рычаг перемещается в сторону задней части инструмента, а для уменьшения высоты скашивания - в сторону передней части инструмента. **ПРИМЕЧАНИЕ:** Для достижения наилучших результатов передний и задний рычаги регулировки высоты кошения **11** должны быть установлены на одинаковую высоту кошения, как указано числом рядом с фиксирующей канавкой.

ЭКСПЛУАТАЦИЯ

Инструкции по использованию

-  **ВНИМАНИЕ:** Всегда следуйте указаниям действующих норм и правил безопасности.
-  **ВНИМАНИЕ:** Чтобы снизить риск получения серьезной травмы, необходимо выключить инструмент и отсоединить батарею, прежде чем выполнять какую-либо регулировку либо удалять/устанавливать какие-либо насадки или дополнительные принадлежности. Случайный запуск может привести к травме.





Правильное положение рук во время работы (Рис. L)

-  **ВНИМАНИЕ:** Для уменьшения риска получения тяжелой травмы, **ВСЕГДА** правильно удерживайте инструмент, как показано на рисунке.
-  **ВНИМАНИЕ:** Для уменьшения риска получения тяжелой травмы, **ВСЕГДА** надёжно удерживайте инструмент, предупреждая внезапные сбои в работе.


При правильном расположении рук обе руки находятся на основной рукоятке **4** и на скобе управления **5**.

ПЕРЕД ЭКСПЛУАТАЦИЕЙ ГАЗОНОКОСИЛКИ ПРОЧИТЕ РУКОВОДСТВО ПО ЭКСПЛУАТАЦИИ

См. полный перечень составляющих на Рисунке А в начале данного руководства. Сохраните настоящее руководство для использования в будущем.

-  **ОПАСНО: Острые движущиеся ножи.** Запрещается эксплуатировать газонокосилку в режиме мульчирования, если задняя дверца и дверца боковой разгрузки не зафиксированы натяжением пружины — это может привести к тяжелым травмам. Для ремонта газонокосилки обратитесь в ближайший сервисный центр.
-  **ОПАСНО:** Запрещается использовать газонокосилку, если рукоятка не зафиксирована на месте.
-  **ОПАСНО: Острый движущийся нож.** Никогда не эксплуатируйте газонокосилку в режиме сбора в травосборник, если крюки травосборника не зацеплены за газонокосилку, а задняя крышка неплотно прилегает к верхней части травосборника, поскольку это может привести к серьезным травмам.
-  **ВНИМАНИЕ:** Газонокосилка должна работать в обычном режиме. Не подвергайте инструмент повышенным нагрузкам.

Установка и извлечение аккумуляторных батарей (Рис. H)

-  **ОПАСНО: ПЕРЕД ТЕМ КАК ИЗВЛЕЧЬ ИЛИ УСТАНОВИТЬ АККУМУЛЯТОРНЫЕ БАТАРЕИ, ИЗВЛЕКИТЕ КЛЮЧ БЕЗОПАСНОСТИ, ЧТОБЫ ПРЕДОТВРАТИТЬ НЕПРЕДНАМЕРЕННЫЙ ЗАПУСК ИНСТРУМЕНТА.**

Данная газонокосилка работает от двух аккумуляторных батарей одинаковой емкости. Газонокосилка не может работать от одной аккумуляторной батареи, а в случае использования аккумуляторных батарей разной емкости газонокосилка остановится при разрядке батареи с меньшей емкостью.

ПРИМЕЧАНИЕ: Для получения наилучших результатов перед использованием батарей **23** убедитесь в том, что они полностью заряжены.

Установка аккумуляторных батарей

1. Поднимите и удерживайте крышку батарейного отсека **10**, чтобы получить доступ к батарейному отсеку **19**.
2. Вдвигайте батарею **23** в батарейный отсек, пока не послышится щелчок. Повторите действия для второй аккумуляторной батареи

ПРИМЕЧАНИЕ: Перед эксплуатацией газонокосилки убедитесь, что батареи надёжно установлены и закреплены на месте.

3. Закройте крышку батарейного отсека. Перед тем как запустить газонокосилку, убедитесь, что крышка надёжно закрыта.

Извлечение аккумуляторных батарей

1. Поднимите и удерживайте крышку батарейного отсека, чтобы получить доступ к батарейному отсеку.
2. Нажмите на опирающую кнопку **24** на батарее и извлеките батарею из инструмента.

Ключ безопасности (Рис. J)

ОПАСНО: Острый движущийся нож. В целях предотвращения непреднамеренного запуска, а также несанкционированной эксплуатации вашей аккумуляторной газонокосилки, в конструкцию газонокосилки встроен съемный ключ безопасности (3). Без ключа безопасности газонокосилка будет полностью отключена.

ОПАСНО: Вращающиеся ножи могут стать причиной тяжелых травм. Для предотвращения травм выключайте инструмент и извлекайте ключ и аккумуляторные батареи из газонокосилки, когда она остается без внимания, во время зарядки, чистки, обслуживания, транспортировки, поднятия или хранения.

Запуск газонокосилки (Рис. I–L)

ОПАСНО: Острый движущийся нож. Никогда не пытайтесь блокировать работу блока выключателя и системы предохранительных ключей, поскольку это может привести к серьезной травме.

ВНИМАНИЕ: Прежде чем запустить газонокосилку убедитесь, что система автоматического привода отключена

ПРИМЕЧАНИЕ: Газонокосилка работает только при установленных аккумуляторных батареях и ключе безопасности.

1. Поднимите и удерживайте крышку батарейного отсека **10**, чтобы получить доступ к батарейному отсеку **26**.
2. Вдвигайте батарею **23** в батарейный отсек **26**, пока не послышится щелчок. Повторите действия для второй аккумуляторной батареи.

ПРИМЕЧАНИЕ: Перед эксплуатацией газонокосилки убедитесь, что батареи надежно установлены и закреплены на месте.

3. Закройте крышку батарейного отсека. Перед тем как запустить газонокосилку, убедитесь, что крышка надежно закрыта.
4. Вставьте ключ безопасности **3** в БЛОК выключателя **1**, пока он полностью не войдет внутрь корпуса. Теперь газонокосилка готова к эксплуатации.
5. Ваша колесная газонокосилка оборудована специальным БЛОКОМ выключателя **1**. Чтобы включить газонокосилку, нажмите и удерживайте КНОПКУ включения/выключения **2** на БЛОКЕ выключателя **1**, затем притяните скобу управления **5** к основной рукоятке **4**.
ПРИМЕЧАНИЕ: Как только газонокосилка заведется, вы можете отпустить КНОПКУ включения/выключения, продолжая прижимать скобу управления к основной рукоятке, чтобы газонокосилка работала.
6. Чтобы остановить ГАЗОНОКОСИЛКУ, отпустите скобу управления (5).

ВНИМАНИЕ: Ни в коем случае не фиксируйте скобу управления в положении включения.

ПРИМЕЧАНИЕ: При возвращении скобы управления в исходное положение включится механизм автоматического останова. Электродвигатель остановится, а нож прекратит свое вращение в течение трех секунд или менее. Если нож продолжает вращаться более трех секунд, прекратите использование газонокосилки и отнесите ее в ремонт.

Система автоматического привода с регулировкой скорости (Рис. L)

ОПАСНО: Острый движущийся нож. Никогда не пытайтесь блокировать работу блока выключателя и системы предохранительных ключей, поскольку это может привести к серьезной травме.

Ваша газонокосилка оборудована системой автоматического привода с регулировкой скорости. Эта система зависит от ВЫКЛЮЧАТЕЛЯ ножа. Ее можно использовать только с вращающимся ножом.

1. Следуйте инструкциям в разделе «Запуск газонокосилки».
2. Чтобы включить систему автоматического привода, одной рукой прижмите скобу управления **5** к основной рукоятке **4**.
3. Другой рукой прижмите рычаг системы автоматического привода **6** к основной рукоятке.
4. Вы можете удерживать только рычаг **6** или одновременно удерживать перекладину запуска **5** и рычаг.
5. Чтобы выключить систему автоматического привода, отпустите рычаг **6**.

ПРИМЕЧАНИЕ: Когда вы выключаете систему автоматического привода, например, в конце ряда, колеса могут временно заблокироваться, если вы потянете газонокосилку назад. Просто слегка продвиньте ее вперед, а затем переместите газонокосилку по мере необходимости.

ПРИМЕЧАНИЕ: Во время кошения иногда может быть проще маневрировать вокруг объекта, например, дерева или растения, с отключенной системой автоматического привода. Газонокосилкой можно легко пользоваться с отключенной системой автоматического привода.

Колесико регулировки скорости (Рис. L)

Ваша газонокосилка оборудована колесиком регулировки скорости **36**, расположенным в нижней части коробки автоматического привода **28**. Эта система регулирует, насколько быстро или медленно система автоматического привода приводит в движение газонокосилку.

1. Чтобы увеличить скорость системы автоматического привода, поверните колесико регулировки скорости **36** в направлении, обозначенном стрелкой, расположенной вблизи от колесика регулировки скорости **36**.
2. Чтобы уменьшить скорость системы автоматического привода, поверните колесико регулировки скорости **36** в направлении, противоположном обозначенному

стрелкой, расположенной вблизи от колесика регулировки скорости **36**.

Перегрузка газонокосилки

В целях предотвращения перегрузок не пытайтесь скосить слишком большое количество травы сразу. Замедлите скорость или увеличьте высоту скашивания.

Хранение (Рис. С, D)

! **ОПАСНО: Вращающиеся ножи могут стать причиной тяжелых травм.** Перед тем как поднять, переместить или оставить газонокосилку на хранение, необходимо отпустить скобу управления для отключения газонокосилки, извлечь ключ безопасности и аккумуляторные батареи. Храните в сухом месте.

! **ПРЕДУПРЕЖДЕНИЕ: Зона заземления.** Складывая рукоятку, не кладите пальцы рядом с кронштейнами рукоятки, чтобы избежать заземления.

Для обеспечения удобства хранения газонокосилки ее ручки с легкостью складываются.

1. Поверните зажимные ручки **7** на нижней рукоятке на четверть оборота.
2. Поверните рукоятку в сторону передней части газонокосилки. Следите за тем, чтобы не защемить и не повредить провод.
3. Поверните зажимные ручки **7** на четверть оборота, чтобы зафиксировать рукоятку в положении для хранения.
4. Газонокосилку можно хранить в вертикальном положении со снятым травосборником или в горизонтальном положении на колесах.

ТЕХНИЧЕСКОЕ ОБСЛУЖИВАНИЕ

Электроинструмент имеет длительный срок эксплуатации и требует минимальных затрат на техобслуживание. Для длительной безотказной работы необходимо обеспечить правильный уход за инструментом и его регулярную очистку.

! **ВНИМАНИЕ: Чтобы снизить риск получения серьезной травмы, необходимо выключить инструмент и отсоединить батарею, прежде чем выполнять какую-либо регулировку либо удалять/устанавливать какие-либо насадки или дополнительные принадлежности.**
Случайный запуск может привести к травме.

Зарядное устройство и аккумуляторные батареи неремонтопригодны.

Снятие и установка ножа (Рис. М, N)

! **ОПАСНО: РИСК ПОЛУЧЕНИЯ ТРАВМЫ.** ПРИ РАЗБОРКЕ И ПОСЛЕДУЮЩЕЙ СБОРКЕ УЗЛА НОЖА УБЕДИТЕСЬ, ЧТО ВСЕ ДЕТАЛИ УСТАНОВЛЕНЫ ПРАВИЛЬНО, КАК ОПИСАНО НИЖЕ. НЕПРАВИЛЬНАЯ УСТАНОВКА НОЖА И ДРУГИХ СОСТАВЛЯЮЩИХ МОЖЕТ ПРИВЕСТИ К ТЯЖЕЛЫМ ТРАВМАМ.

! **ОПАСНО: Чтобы снизить риск получения серьезной травмы, необходимо выключить инструмент, извлечь ключ безопасности и отсоединить батареи, прежде чем выполнять какую-либо регулировку либо удалять/устанавливать какие-либо дополнительные приспособления.** Случайный запуск может привести к травме.

Сменные ножи можно приобрести в ближайшем авторизованном сервисном центре. Для данной газонокосилки требуется сменный нож DT20682.

1. Используйте деревянный брусок 2" x 4" **29** (длиной 610 мм), чтобы подпереть нож, препятствуя его вращению при откручивании болта ножа **30**.

! **ВНИМАНИЕ: Используйте защитные перчатки и очки. Положите газонокосилку набок. Будьте осторожны, не порежьтесь об острые края ножа.**

2. Расположите брусок и открутите болт ножа, вращая его против часовой стрелки 5/8" гаечным ключом **31** (не входит в комплект поставки), как показано на Рис. N.

3. Снимите пружинную пластину **32** и нож **33**, как показано на Рис. M. Проверьте все составляющие на предмет повреждений и в случае необходимости замените их.

4. Установите заточенный или новый нож на ступицу держателя ножа **34**, как показано на Рис. M. Крыльчатое отверстие в ноже должно совпадать с выступом такой же формы на держателе ножа.

ПРИМЕЧАНИЕ: При установке заточенного или нового ножа на ступицу держателя ножа убедитесь, что надпись на ноже «ВОТТОМ» направлена в сторону земли, когда газонокосилка вернется в рабочее вертикальное положение.

5. Установите пружинную пластину на нож. Обязательно совместите выступы на пружинной пластине с фиксаторами на ноже, при необходимости вращая нож и пружинную пластину вместе.

6. Поместите брусок, чтобы предотвратить поворачивание ножа, как показано на Рис. N. Вставьте болт ножа и надежно затяните нож 5/8" гаечным ключом.

Затачивание ножа

ДЛЯ ОБЕСПЕЧЕНИЯ ОПТИМАЛЬНОЙ РАБОТЫ ГАЗОНОКОСИЛКИ ПОДДЕРЖИВАЙТЕ НОЖИ ОСТРЫМИ. ЗАТУПЛЕННЫЙ НОЖ НЕ СКАШИВАЕТ ТРАВУ РОВНО.

! **ВНИМАНИЕ: Снимая, затачивая и устанавливая нож, используйте защитные перчатки и средства защиты глаз. Убедитесь, что ключ безопасности и аккумуляторные батареи извлечены.**

В нормальных условиях эксплуатации достаточно затачивать нож не более двух раз за один сезон. Песок приводит к ускоренному затуплению ножа. Если на вашем газоне присутствует песок, может понадобиться более частое затачивание ножа. **НЕМЕДЛЕННО ЗАМЕНЯЙТЕ ПОГНУТЫЕ И ПОВРЕЖДЕННЫЕ НОЖИ.**

При затачивании ножа:

- Сохраняйте балансировку ножа.
- Поддерживайте исходный угол режущей кромки.
- Затачивайте режущие кромки с обеих сторон ножа, стараясь удалить одинаковое количество материала.

Затачивание ножа в тисках (Рис. О)

1. Перед тем как извлечь нож, убедитесь, что скоба управления отпущена, нож остановлен, ключ безопасности и аккумуляторные батареи извлечены.
2. Извлеките нож из газонокосилки. См. инструкции в разделе **Снятие и установка ножа**.
3. Зажмите нож **33** в тисках **35**.
4. Наденьте подходящие средства защиты глаз и перчатки и соблюдайте осторожность, чтобы не порезаться.
5. Аккуратно стачивайте режущие кромки ножа мелкозернистым напильником **37** (не входит в комплект поставки) или точильным камнем (не входит в комплект поставки), сохраняя первичный угол режущей кромки.
6. Проверьте балансировку ножа. См. раздел **Балансировка ножа**.
7. Установите нож на газонокосилку и надежно затяните болт.

Балансировка ножа (Рис. P)

Для проверки балансировки ножа **33** установите центральное отверстие ножа на гвоздь или круглую отвертку **36**, горизонтально зажатую в тиски **35**. Если какая-либо сторона ножа опускается вниз, сточите небольшое количество материала с режущей кромки на этой стороне. При правильной балансировке нож выравнивается.



Смазка

Ваш электроинструмент не требует дополнительной смазки.



Чистка



ВНИМАНИЕ: Выдувайте грязь и пыль из корпуса сухим сжатым воздухом по мере видимого скопления грязи внутри и вокруг вентиляционных отверстий. Выполняйте очистку, надев средство защиты глаз и респиратор утвержденного типа.



ВНИМАНИЕ: Никогда не используйте растворители или другие агрессивные химические средства для очистки неметаллических деталей инструмента. Эти химикаты могут ухудшить свойства материалов, примененных в данных деталях. Используйте ткань, смоченную в воде с мягким мылом. Не допускайте попадания какой-либо жидкости внутрь инструмента; ни в коем случае

не погружайте какую-либо часть инструмента в жидкость.

Отпустите скобу управления **6** для отключения газонокосилки, дождитесь остановки ножа и извлеките аккумуляторные батареи и ключ безопасности. Удалите остатки травы, которые могут собраться в нижней части корпуса. Не разбрызгивайте воду или другие жидкости. После нескольких применений проверьте надежность фиксации элементов крепления.

Дополнительные принадлежности



ВНИМАНИЕ: Поскольку принадлежности, отличные от тех, которые предлагаем DEWALT, не проходили тесты на данном изделии, то использование этих принадлежностей может привести к опасной ситуации. Во избежание риска получения травмы, с данным продуктом должны использоваться только рекомендованные DEWALT дополнительные принадлежности.

По вопросу приобретения дополнительных принадлежностей обращайтесь к Вашему дилеру.

Защита окружающей среды



Отдельная утилизация. Изделия и аккумуляторные батареи с данным символом на маркировке запрещается утилизировать с обычными бытовыми отходами.

Изделия и аккумуляторные батареи содержат материалы, которые могут быть извлечены или переработаны, снижая потребность в исходном сырье. Пожалуйста, утилизируйте электрические изделия и аккумуляторные батареи в соответствии с местными нормами. Дополнительная информация доступна по адресу www.2helpU.com.

Аккумуляторная батарея

Данную аккумуляторную батарею с длительным сроком эксплуатации необходимо перезаряжать, когда она перестает обеспечивать питание, необходимое для выполнения определенных работ. По окончании срока эксплуатации ее следует утилизировать, соблюдая при этом необходимые меры по защите окружающей среды:

- полностью разрядите батарею до конца и извлеките ее из инструмента.
- литий-ионные аккумуляторные батареи подлежат вторичной переработке. Сдайте их нашему дилеру или в местный центр вторичной переработки. В этих пунктах батареи будут подвергнуты повторной переработке или правильной утилизации.

Дополнительная информация:

Дату изготовления (код даты) указан на корпусе инструмента. Код даты, который так же включает год изготовления, отштампован на поверхности корпуса изделия. Пример: 2021 46 XX, где 2021 – год изготовления, 46-неделя изготовления, XX – код завода изготовителя.

ТОВАР СЕРТИФИЦИРОВАН. Орган по сертификации "РОСТЕСТ- Москва", Адрес: 119049, г. Москва, улица Житная, д. 14, стр. 1; 117418, Москва, Нахимовский просп., 31 (факт.).

Тел.: (499) 1292311, (495) 6682893, E-mail: office@rostest.ru

Изготовитель: Изготовитель: Блэк энд Деккер Холдингс ГмбХ, Германия, 65510, Идштайн, ул. Блэк энд Деккер, 40, тел. +496126212790.

Уполномоченное изготовителем юрлицо: ООО "Стэнли Блэк энд Деккер", 117485, город Москва, улица Обручева, дом 30/1, строение 2, Телефон: + 7 (495) 258-3981, факс: + 7 (495) 258-3984, E-mail: inbox@dewalt.com. Сведения о импортере указаны в сопроводительной документации и/или на упаковке.



Приложение к руководству по эксплуатации электрооборудования для определения месяца производства по номеру текущей календарной недели года

Электрооборудование торговых марок "Dewalt", "Stanley", "Stanley FatMAX", "BLACK+DECKER".

Директивы 2014/30/EU ЕВРОПЕЙСКОГО ПАРЛАМЕНТА И СОВЕТА от 26 февраля 2014 г. "О гармонизации законодательства Государств-членов ЕС в области электромагнитной совместимости", 2006/42/ЕС ЕВРОПЕЙСКОГО ПАРЛАМЕНТА И СОВЕТА от 17 мая 2006 г. "О машинах и оборудовании"; 2014/35/EU ЕВРОПЕЙСКОГО ПАРЛАМЕНТА И СОВЕТА от 26 февраля 2014 г. "О гармонизации законодательства государств-членов в области размещения на рынке электрооборудования, предназначенного для использования в определенных пределах напряжения". Серийный выпуск.

ТОВАР СЕРТИФИЦИРОВАН

Орган по сертификации "РОСТЕСТ- Москва", Адрес: 119049, г. Москва, улица Житная, д. 14, стр. 1; 117418, Москва, Нахимовский просп., 31 (фактический), Телефон: (495) 1292311, (495) 6682893, факс: (495) 6682893, E-mail: office@rostest.ru

Изготовитель: Изготовитель: Блэк энд Деккер Холдингс ГмбХ, Германия, 65510, Идштайн, ул. Блэк энд Деккер, 40, тел. +496126212790.

Уполномоченное изготовителем юр.лицо:

ООО "Стэтли Блэк энд Деккер", 117485, город Москва, улица Обручева, дом 30/1, строение 2
Телефон: + 7 (495) 258-3981, факс: + 7 (495) 258-3984, E-mail: inbox@dewalt.com

Сведения о импортере указаны в сопроводительной документации и/или на упаковке

Хранение.

Необходимо хранить в сухом месте, вдали от источников повышенных температур и воздействия солнечных лучей. При хранении необходимо избегать резкого перепада температур. Хранение без упаковки не допускается

Срок службы.

Срок службы изделия составляет 5 лет. Не рекомендуется к эксплуатации по истечении 5 лет хранения с даты изготовления без предварительной проверки.

Дата изготовления (код даты) указана на корпусе инструмента. Код даты, который также включает год изготовления, отштампован на поверхности корпуса изделия.

Пример:

2014 46 XX, где 2014 –год изготовления, 46–неделя изготовления. Определить месяц изготовления по указанной неделе изготовления можно согласно приведенной ниже таблице.

Транспортировка.

Категорически не допускается падение и любые механические воздействия на упаковку при транспортировке.

При разгрузке/погрузке не допускается использование любого вида техники, работающей по принципу зажима упаковки.

Перечень критических отказов, возможные ошибочные действия персонала.

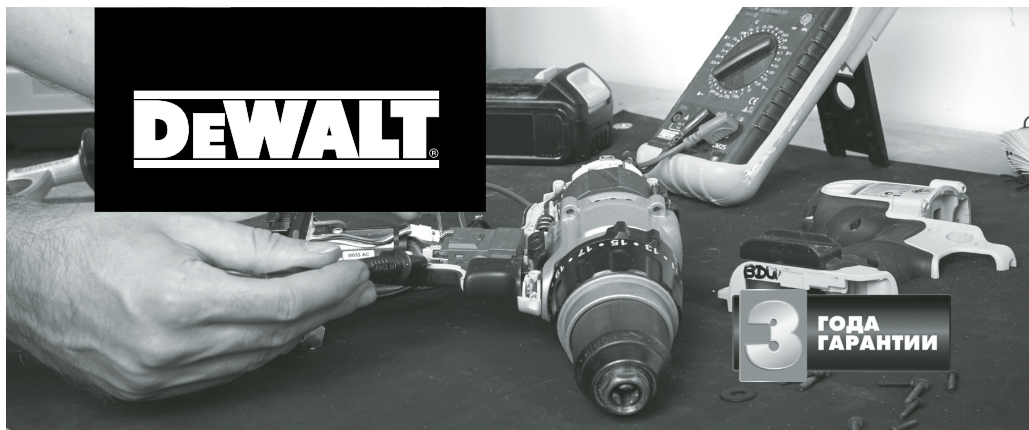
Не допускается эксплуатация изделия:

- При появлении дыма из корпуса изделия
- При поврежденном и/или оголенном сетевом кабеле
- при повреждении корпуса изделия, защитного кожуха, рукоятки
- при попадании жидкости в корпус
- при возникновении сильной вибрации
- при возникновении сильного искрения внутри корпуса

Критерии предельных состояний.

- При поврежденном и/или оголенном сетевом кабеле
- при повреждении корпуса изделия

Месяц	Январь	Февраль	Март	Апрель	Май	Июнь	Июль	Август	Сентябрь	Октябрь	Ноябрь	Декабрь	Год производства
Неделя	1	5	9	14	18	23	27	31	36	40	44	49	2018
	2	6	10	15	19	24	28	32	37	41	45	50	
	3	7	11	16	20	25	29	33	38	42	46	51	
	4	8	12	17	21	26	30	34	39	43	47	52	
			13		22			35			48		
Неделя	1	6	10	14	18	23	27	31	36	40	45	49	2019
	2	7	11	15	19	24	28	32	37	41	46	50	
	3	8	12	16	20	25	29	33	38	42	47	51	
	4	9	13	17	21	26	30	34	39	43	48	52	
	5				22			35		44			
Неделя	1	6	10	14	19	23	27	32	36	40	45	49	2020
	2	7	11	15	20	24	28	33	37	41	46	50	
	3	8	12	16	21	25	29	34	38	42	47	51	
	4	9	13	17	22	26	30	35	39	43	48	52	
	5			18			31		40		44		
Неделя	2	6	10	14	19	23	27	32	36	41	45	49	2021
	3	7	11	15	20	24	28	33	37	42	46	50	
	4	8	12	16	21	25	29	34	38	43	47	51	
	5	9	13	17	22	26	30	35	39	44	48	52	
				18			31		40			1	
Неделя	2	6	10	15	19	23	28	32	36	41	45	49	2022
	3	7	11	16	20	24	29	33	37	42	46	50	
	4	8	12	17	21	25	30	34	38	43	47	51	
	5	9	13	18	22	26	31	35	39	44	48	52	
				14			27		40			1	



ГАРАНТИЙНЫЕ УСЛОВИЯ

Уважаемый покупатель!

1. Поздравляем Вас с покупкой высококачественного изделия DEWALT и выражаем признательность за Ваши входы.
2. При покупке изделия требуйте проверки его комплектности и исправности в Вашем присутствии. В комплекте с инструментом должна быть инструкция по эксплуатации и гарантийные условия производителя на русском языке. Сохраняйте на весь срок гарантии Ваш документ, удостоверяющий факт покупки изделия. Убедитесь, что в чеке указаны: фискальный номер чека, модель/наименование изделия, дата продажи и название торговой организации.
3. Во избежание недоразумений убедительно просим Вас перед началом работы с изделием внимательно ознакомиться с инструкцией по его эксплуатации. Правовой основой настоящих гарантийных условий является действующее Законодательство. Гарантийный срок на данное изделие составляет 36 месяцев и исчисляется со дня продажи. В случае устранения недостатков изделия гарантийный срок продлевается на период его нахождения в ремонте. Срок службы изделия составляет 5 лет со дня продажи.
4. В случае возникновения каких-либо проблем в процессе эксплуатации изделия рекомендуем Вам обращаться только в уполномоченные сервисные центры DEWALT, адреса и телефоны которых Вы сможете найти на сайте www.2helpU.com или узнать в магазине. Наши сервисные станции это не только квалифицированный ремонт, но и широкий ассортимент запчастей и принадлежностей.
5. Производитель рекомендует проводить периодическую проверку и техническое обслуживание изделия в уполномоченных сервисных центрах.
6. Наши гарантийные обязательства распространяются только на неисправности, выявленные в течение гарантийного срока и вызванные дефектами материалов или сборки изделия.

7. Гарантийные условия не распространяются на неисправности изделия, возникшие в результате:

7.1. Несоблюдения пользователем предписаний инструкции по эксплуатации изделия, применения изделия не по назначению, неправильного хранения, использования принадлежностей, расходных материалов и запчастей, не предусмотренных производителем.

7.2. Механического повреждения (сколы, трещины и разрушения) внутренних и внешних деталей изделия, основных и вспомогательных рукояток, сетевого электрического кабеля, вызванного внешним ударным или любым иным воздействием.

7.3. Попадания в вентиляционные отверстия и проникновение внутрь изделия посторонних предметов, материалов или веществ, не являющихся отходами, сопровождающими применение изделия по назначению, такими как: стружка, опилки, песок, и пр.

7.4. Воздействия на изделие неблагоприятных атмосферных и иных внешних факторов, таких как дождь, снег, повышенная влажность, нагрев, агрессивные среды, несоответствие параметров питающей электросети, указанных на инструменте.

7.5. Стихийного бедствия. Повреждение или утрата изделия, связанное с непредвиденными бедствиями, стихийными явлениями, в том числе вследствие действия непреодолимой силы (пожар, молния, потоп и другие природные явления), а также вследствие перепадов напряжения в электросети и другими причинами, которые находятся вне контроля производителя.

8. Гарантийные условия не распространяются:

8.1. На инструменты, подвергавшиеся вскрытию, ремонту или модификации вне уполномоченного сервисного центра.

8.2. На детали и узлы, имеющие следы естественного износа, такие как: приводные ремни и колеса, угльные щетки, смазка, подшипники, зубчатое зацепление редукторов, резиновые уплотнения, сальники, направляющие ролики, муфты сцепления, бойки, толкатели, стволы, и т.п.

8.3. На сменные и расходные части: цанги, зажимные гайки и фланцы, фильтры, ножи, шлифовальные подошвы, цепи, звездочки, пильные шины, защитные кожухи, пилки, абразивы, пильные и абразивные диски, фрезы, сверла, буры и т.п.

8.4. На неисправности, возникшие в результате перегрузки инструмента (как механической, так и электрической), повлекшей выход из строя одновременно двух и более деталей и узлов, таких как ротора и статора, обеих обмоток статора, ведомой и ведущей шестерни редуктора или других узлов и деталей. К безусловным признакам перегрузки изделия относятся, помимо прочего: появление цветов побежалости, деформация или оплавление деталей и узлов изделия, потемнение или облупление изоляции проводов электродвигателя под воздействием высокой температуры.



**ОБЯЗАТЕЛЬНО СОХРАНЯЙТЕ
КАССОВЫЙ ЧЕК**

Актуальную информацию об обслуживании
в интересующем вас городе вы можете узнать на сайте
service.dewalt.ru

27-03-2021



Список авторизованных сервисных центров | Удобный поиск ближайшего сервисного центра | Руководство по эксплуатации
 Технические характеристики | Список деталей и запасных частей | Схема сборки инструмента

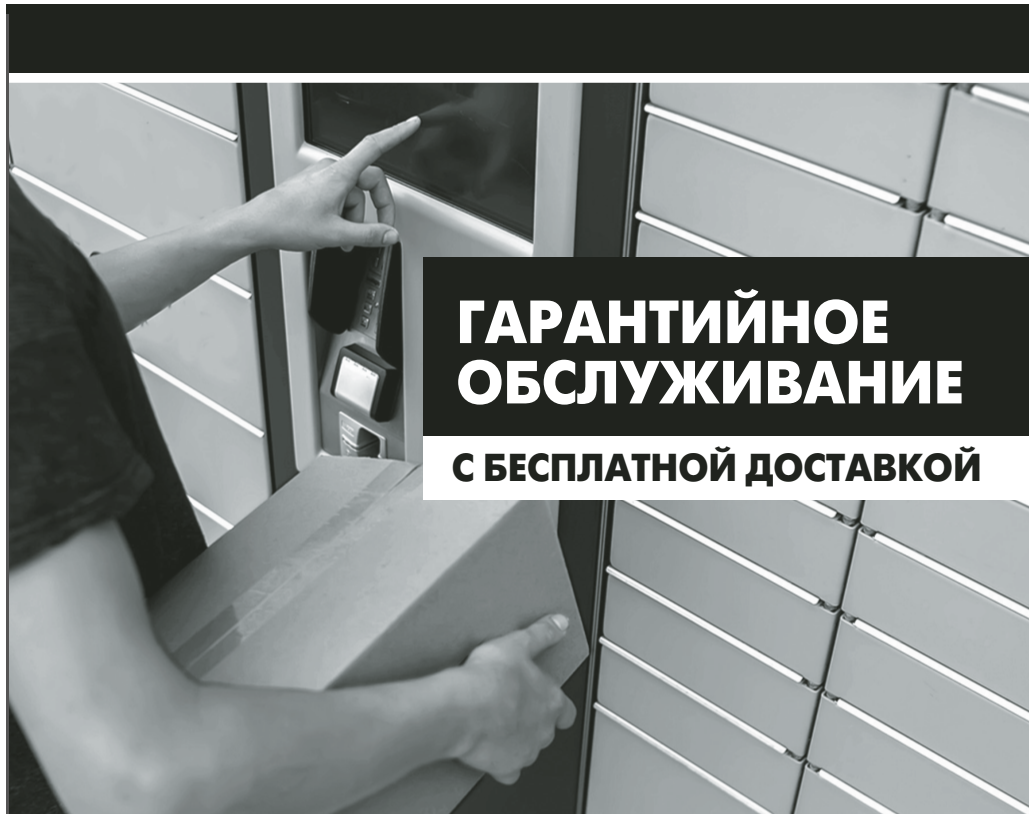


Также данную информацию вы можете получить, позвонив по телефону:

8-800-1000-876

Отметки о проведении сервисного обслуживания

№1	№2	№3	№4
№ заказа	№ заказа	№ заказа	№ заказа
Дата поступления	Дата поступления	Дата поступления	Дата поступления
Дата ремонта	Дата ремонта	Дата ремонта	Дата ремонта
Печать и подпись сервисного центра	Печать и подпись сервисного центра	Печать и подпись сервисного центра	Печать и подпись сервисного центра



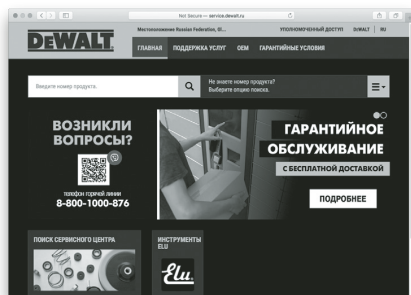
ГАРАНТИЙНОЕ ОБСЛУЖИВАНИЕ С БЕСПЛАТНОЙ ДОСТАВКОЙ

ТЕПЕРЬ ВЫ МОЖЕТЕ СДАТЬ ИНСТРУМЕНТ В СЕРВИС, ДАЖЕ ЕСЛИ ЕГО НЕТ В ВАШЕМ ГОРОДЕ

КАК ВОСПОЛЬЗОВАТЬСЯ УСЛУГОЙ

Скачать/распечатать
инструкцию
с сайта

service.dewalt.ru



телефон горячей линии

8-800-1000-876



ПОДАРОК ЗА ОТЗЫВ*

- 1 Зарегистрируйся на my.dewalt.ru
- 2 Напиши отзыв о покупке
- 3 Получи фирменную кепку

*Акция проводится на территории Российской Федерации, подробные условия акции указаны на my.dewalt.ru

телефон горячей линии

8-800-1000-876

САМОХІДНА КОСАРКА 2 x 18 В

DCMWSP564

Вітаємо вас!

Ви обрали інструмент виробництва компанії DEWALT. Ретельна розробка продукції, багаторічний досвід фірми у виробництві інструментів, різні вдосконалення, все це зробило інструменти DEWALT є одними із найнадійніших помічників для тих, хто використовує електричні інструменти у своїй професії.

Технічні дані

		DCMWSP564
Напруга	В пост. струму	2 x 18
Тип батареї		Літій-іонна
Швидкість без навантаження	об/хв	2500
Максимальна швидкість	об/хв	2800
Довжина леза	см	53
Маса (без акумулятора)	кг	26
Значення рівня шуму та вібрації (сума трьох векторів) відповідно до стандарту EN62841-1		
L_{PA} (рівень тиску звукового випромінювання)	дБ(A)	76
L_{WA} (рівень звукової потужності)	дБ(A)	87
K (похибка для даного рівня звукового тиску)	дБ(A)	0,9
Зважене значення вібрації, що передається на руки:		
Значення вібрації $a_h =$	m/c^2	2,5
Похибка K =	m/c^2	1,5

Значення вібрації та/або шуму, наведене в цьому документі, було виміряне згідно зі стандартизованим тестом, викладеним в EN60355-1:2012 та може використовуватись для порівняння інструментів. Це значення вібрації можна також використовувати для попередньої оцінки впливу вібрації.



ПОПЕРЕДЖЕННЯ: Заявлене значення вібрації та/або шуму відповідає вимогам цільового використання інструмента. Однак якщо інструмент використовується для виконання інших завдань, або з іншими витратними матеріалами/насадками, або не обслуговується належним чином, значення вібрації та/або шуму може відхилитися. Це може значно збільшити рівень впливу протягом усього періоду роботи.

Оцінка рівня впливу вібрації та/або шуму має враховувати час, протягом якого інструмент є ввімкненим, а також час, протягом якого він є ввімкненим, але не використовується. Це може значно зменшити рівень впливу протягом усього періоду роботи.

Визначення додаткових заходів безпеки для захисту оператора від впливу вібрації та/або шуму: технічне обслуговування інструмента та приладдя, утримання рук у теплі (має значення для вібрації), організація режиму роботи.

Декларація про відповідність ЄС

Директива для механічного обладнання



Косарка 2 x 18 В DCMWSP564

Компанія DEWALT заявляє, що ці продукти, описані у розділі «Технічні дані», відповідають: 2006/42/EC, EN60335-1:2012 + AC:2014 + A11:2014 + A13:2017 + A1:2019 + A14:2019 + A2:2019, EN60335-2-77:2010. Ці вироби також відповідають вимогам Директив 2014/30/EU та 2011/65/EU.

2000/14/EC, Газонокосарка, $50 < L \leq 70$, Додаток VI DEKRA Testing and Certification GmbH, Handwerkstraße 15, 70565 Stuttgart, Німеччина

Ідентифікаційний № уповноваженого органу: 0158

Рівень акустичної потужності відповідно до 2000/14/EC (Стаття 12, Додаток VI, $50 < L \leq 70$ см):

L_{WA} (виміряна акустична потужність) 87 дБ(A)

Похибка (K) = 0,9 дБ(A)

L_{WA} (гарантована акустична потужність) 98 дБ(A)

Для отримання додаткової інформації зверніться до компанії DEWALT за наступною адресою або прочитайте інформацію на зворотній стороні цього керівництва.

Нижчепідписаний несе відповідальність за упорядкування файлу технічних характеристик та робить цю заяву від компанії DEWALT.

Маркус Ромпель (Markus Rempel)
технічний директор, PTE-Europe
DEWALT, Richard-Klinger-Straße 11,
65510, Idstein, Німеччина
30.09.2021



ПОПЕРЕДЖЕННЯ: Уважно прочитайте керівництво з експлуатації для зняття ризику отримання травм.

Позначення: інструкції з техніки безпеки

Умовні позначення, наведені нижче, описують рівень важливості кожної попереджувальної вказівки. Прочитайте

Батареї				Зарядні пристрої/час зарядки (у хвиликах)***									
Кат. №	V _{DC}	Ah	Маса (kg)	DCB104	DCB107	DCB112	DCB113	DCB115	DCB116	DCB117	DCB118	DCB132	DCB119
DCB546	18/54	6,0/2,0	1,08	60	270	170	140	90	80	40	60	90	X
DCB547	18/54	9,0/3,0	1,46	75*	420	270	220	135*	110*	60	75*	135*	X
DCB548	18/54	12,0/4,0	1,46	120	540	350	300	180	150	80	120	180	X
DCB549	18/54	15,0/5,0	2,12	125	730	450	380	230	170	90	125	230	X
DCB181	18	1,5	0,35	22	70	45	35	22	22	22	22	22	45
DCB182	18	4,0	0,61	60/40**	185	120	100	60	60/45**	60/40**	60/40**	60	120
DCB183/B/G	18	2,0	0,40	30	90	60	50	30	30	30	30	30	60
DCB184/B/G	18	5,0	0,62	75/50**	240	150	120	75	75/60**	75/50**	75/50**	75	150
DCB185	18	1,3	0,35	22	60	40	30	22	22	22	22	22	40
DCB187	18	3,0	0,54	45	140	90	70	45	45	45	45	45	90
DCB189	18	4,0	0,54	60	185	120	100	60	60	60	60	60	120
DCBP034	18	1,7	0,32	27	82	50	40	27	27	27	27	27	50

*Код дати 201811475В або пізніше

**Код дати 201536 або пізніше

керівництво з експлуатації та зверніть увагу на символи, наведені нижче.



НЕБЕЗПЕЧНО: Указує на безпосередню загрозу, яка, якщо її не уникнути, призведе до смерті або серйозної травми.



ПОПЕРЕДЖЕННЯ: Вказує на потенційну загрозу, ігнорування якої може призвести до смерті або серйозної травми.



УВАГА: Вказує на потенційну загрозу, ігнорування якої може призвести до травми легкої або середньої тяжкості.

ПРИМІТКА: Вказує на ситуацію, не пов'язану з особою травмою, ігнорування цієї ситуації може призвести до пошкодження майна.



Вказує на ризик ураження електричним струмом.



Вказує на ризик виникнення пожежі.

Інструкції з техніки безпеки



УВАГА! При використанні бездротових пристроїв необхідно дотримуватись основних заходів безпеки, включаючи наступні, щоб знизити ризик виникнення пожежі, ураження електричним струмом, травм та матеріальних ушкоджень.



УВАГА! При використанні пристрою необхідно дотримуватись правил техніки безпеки. Перед використанням пристрою уважно прочитайте цей посібник для забезпечення власної безпеки та безпеки сторонніх людей. Будь ласка, зберігайте інструкції в безпечному місці для використання в майбутньому.

- Перед роботою з пристроєм уважно прочитайте це керівництво.
- У цьому посібнику описано використання за призначенням. Використання будь-яких аксесуарів чи додаткових інструментів або виконання операцій з пристроєм, які не описано

у цьому посібнику, може призвести до особистих травм.

- Зберігайте це керівництво для отримання інформації в подальшому.

ЗБЕРЕЖІТЬ ВСІ ДРУКОВАНІ ЕКЗЕМПЛЯРИ ІНСТРУКЦІЙ ТА ПОПЕРЕДЖЕНЬ ДЛЯ ПОДАЛЬШОГО ВИКОРИСТАННЯ.

Використання пристрою

Будьте уважні під час використання пристрою.

- Цей пристрій не призначений для використання молодими та хворими людьми без нагляду.
- Цей інструмент не можна використовувати як іграшки.
- Не дозволяйте дітям або тваринам підходити до робочої зони та торкатися пристрою.
- Необхідний ретельний нагляд, коли пристрій використовується біля дітей.
- Використовуйте лише у сухому місці. Не дозволяйте, щоб пристрій був вологим.
- Не занурюйте пристрій у воду.
- Не відкривайте корпус. Всередині відсутні деталі, які користувач може обслуговувати самостійно.
- Не використовуйте цей пристрій у вибухонебезпечних умовах, наприклад, в присутності легкозаймистих рідин, газів або пилу.
- Перед використанням інструмента завжди оглядайте його, щоб переконатися, що ніж гострий, а болти та кріпильні елементи ножа не мають ознак зносу та пошкодження. Замініть зношені та пошкоджені ножі та болти у комплектах, щоб зберегти баланс.
- Не використовуйте пристрій, коли інші особи, особливо діти або домашні тварини знаходяться поруч.
- Пам'ятайте, що оператор або користувач відповідає за нещасні випадки та небезпеку щодо інших людей або їхнього майна.

Перед використанням

- Під час роботи з пристроєм завжди вдягайте міцні черевики та довгі штани. Не працюйте з інструментом босоніж та у відкритих сандалях. Уникайте вільного одягу, звисаючих поясів та краваток.
- Ретельно огляньте місце, де буде використовуватись пристрій, та приберіть всі предмети, які можуть бути відкинуті пристроєм.
- Перед використанням інструмента завжди оглядайте його, щоб переконатися, що ніж гострий, а болти та кріпильні елементи ножа не мають ознак зносу та пошкодження. Замініть зношені та пошкоджені деталі у комплекті, щоб зберегти баланс. Замініть пошкоджені або нерозбірливі маркування.

Після використання

- Коли пристрій не використовується, його необхідно зберігати у сухому, добре провітрюваному та недоступному для дітей місці.
- Дітям забороняється мати доступ до пристрою в місці зберігання.
- Якщо пристрій зберігається або транспортується в автомобілі, його необхідно помістити в багажник або зафіксувати, щоб уникнути рухів через раптові зміни швидкості або напрямку.

Перевірка та ремонт

- Перед використанням перевірте пристрій на наявність пошкоджених деталей. Перевірте на наявність зламаних деталей, пошкоджених перемикачів та інших умов, що можуть вплинути на роботу.
- Не використовуйте пристрій, якщо виявлено пошкодження або дефекти якоїсь деталі.
- Пошкоджені або дефектні деталі необхідно відремонтувати або замінити, звернувшись до авторизованого центру з ремонту.
- Ніколи не намагайтеся знімати або замінювати деталі, за винятком тих, що вказані в цьому посібнику.
- Будьте уважні під час налаштування косарки, слідкуйте, щоб пальці не потрапили між рухомими ножами/ деталями та нерухомими деталями пристрою.
- Під час обслуговування ножів пам'ятайте, що хоча джерело живлення вимкнене, ножі все ще можуть рухатися.

Додаткові інструкції з техніки безпеки для газонокосарки

- Не транспортуйте пристрій з підключеним джерелом живлення.
- Під час використання газонокосарки міцно тримайте ручку обома руками.
- Якщо необхідно нахилити газонокосарку, обидві руки повинні залишатись у робочому положенні, коли вона нахилиється. Тримайте обидві руки в робочому положенні до того моменту, коли косарка повернеться в надійне положення на землі.

- У жодному разі не слухайте радіо або музику в навушниках під час використання газонокосарки.
- У жодному разі не намагайтесь відрегулювати висоту коліс, коли електродвигун увімкнений або захисний ключ знаходиться у корпусі перемикача.
- Якщо газонокосарка заїла, відпустіть дужку запуску, щоб вимкнути газонокосарку, зачекайте, поки ножі зупиняться та втягніть захисний ключ до того, як намагатися прочистити лоток або витягнути щось з-під платформ.
- Утримуйте руки та ноги подалі від зони різання.
- Ножі повинні бути гострими. Завжди використовуйте захисні рукавиці під час роботи з ножами газонокосарки.
- Якщо ви використовуєте травозбірник для трави, часто перевіряйте його на наявність ознак зношення та пошкодження. Якщо він надмірно зношений, замініть його на новий з міркувань безпеки використання.
- Будьте особливо уважні, коли повертаєтесь газонокосарку або тягнете її до себе.
- Не ставте руки або ноги поряд з газонокосаркою або під неї. У жодному разі не знаходьтесь навпроти отвору для вивантаження.
- Очистіть місце, де буде використовуватись газонокосарка, від таких предметів, як каміння, гілки, кабелі, іграшки, кісточки тощо, які можуть бути відкинуті ножем. Такі предмети під час зіткнення з лезом можуть спричинити тяжкі ушкодження людині. Знаходьтесь за ручкою, коли двигун працює.
- Не використовуйте газонокосарку босим або у відкритому взутті. Завжди вдягайте міцне взуття.
- Не тягніть газонокосарку назад за винятком випадків, коли це абсолютно необхідно. Завжди дивіться вниз та назад, перед та під час пересування назад.
- У жодному разі не спрямовуйте матеріал, що вивантажується, в бік інших людей. Унікайте вивантаження матеріалу в напрямку близько розташованої стіни або іншої перешкоди. Матеріал, що вивантажується, може відскочити та потрапити в оператора. Коли необхідно перейти через гравійне покриття, відпустіть дужку, щоб вимкнути газонокосарку та зупинити ніж.
- Не використовуйте газонокосарку без травозбірника, захисту отвору для вивантаження, заднього захисного кожуха та інших захисних пристроїв, які повинні бути встановлені на пристрій та знаходиться у справному стані. Періодично перевіряйте всі захисні кожухи та захисні пристрої, щоб упевнитися, що вони знаходяться у нормальному робочому стані та виконують відповідну функцію. Перед використанням замініть пошкоджені захисні кожухи та інші захисні пристрої.
- У жодному разі не залишайте без нагляду газонокосарку, яка працює.
- Завжди відпускайте дужку, щоб зупинити електродвигун, та чекайте повної зупинки ножів, а також витягайте захисний ключ перед очищенням газонокосарки,

знімаючи мішок для трави, усуваючи забивання захисту отвору для вивантаження, перш ніж залишити газонокосарку або перед виконанням будь-яких налаштувань, ремонту або огляду.

- Використовуйте газонокосарку лише вдень або за умов доброго штучного освітлення, коли всі предмети, що знаходяться на шляху ножа, добре видно з місця оператора газонокосарки.
- Не використовуйте газонокосарку, знаходячись під впливом алкоголю або наркотиків, а також якщо ви втомилися чи захворіли. Завжди будьте уважні, добре стежте за тим, що ви робите, та будьте розсудливі.
- Уникайте знаходження у небезпечному середовищі. У жодному разі не використовуйте газонокосарку на вологій або мокрій траві та під час дощу. Завжди зберігайте стійке положення ніг, рухайтесь повільно й в жодному разі не біжіть.
- Якщо газонокосарка починає занадто сильно вібрувати, відпустіть дужку, зачекайте, щоб ніж зупинився, а потім відразу спробуйте знайти причину вібрації. Вібрація завжди свідчить про якісь пошкодження, див. **Пошук та усунення несправностей** для отримання рекомендацій у випадку занадто сильної вібрації.
- Під час використання газонокосарки завжди використовуйте належний захист очей та органів дихання.
- Використання будь-якого приладдя та додаткового обладнання, не рекомендованого до використання з цією газонокосаркою, є небезпечним. Використовуйте лише комплектуючі, схвалені компанією DEWALT.
- У жодному разі не намагайтеся дотягнутися занадто далеко під час роботи з газонокосаркою. Завжди підтримуйте правильне положення ніг та рівновагу під час роботи з газонокосаркою.
- Рухайтесь вздовж схилу, але за жодних обставин не вгору або вниз. Будьте особливо уважні під час зміни напрямку скошування на схилі.
- Уникайте ям, колій, горбиків, каменів та інших прихованих перешкод. Нерівна поверхня може стати причиною ковзання та падіння. Висока трава може ховати перешкоди.
- Не використовуйте косарку на вологій траві та занадто крутих схилах. Неправильне положення ніг може стати причиною ковзання та падіння.
- Не використовуйте косарку біля обривів, канав або насипів. У таких місцях можна випадково втратити рівновагу.
- Перед тим, як поставити пристрій на зберігання, завжди давайте йому охолонуть.
- Витягніть вилку з розетки та витягніть акумуляторну батарею з пристрою. Переконайтесь, що всі рухомі частини повністю зупинились:
 - щоразу, коли ви залишаєте пристрій;
 - перед очищенням після забивання;

- перед перевіркою, очищенням або роботою над пристроєм.

Безпека сторонніх людей

- Цей пристрій не призначений для використання особами (включаючи дітей) із зниженими фізичними, сенсорними або розумовими можливостями або особами, яким бракує досвіду або знань за винятком випадків, коли такі особи працюють під наглядом або отримали інструкції щодо використання пристрою від особи, яка несе відповідальність за їх безпеку.
- Діти повинні знаходитись під контролем, щоб гарантувати, що вони не будуть грати з пристроєм.
- Після зіткнення із стороннім предметом. Огляньте пристрій на предмет наявності пошкодження та в разі потреби відремонтуйте його.

Залишкові ризики

Дотримання всіх правил техніки безпеки та застосування пристроїв безпеки не гарантує уникнення певних залишкових ризиків. До такого переліку належать:

- Травми через контакт з деталями, що рухаються/обертаються.
- Травми при заміні деталей, лез або аксесуарів.
- Травми через занадто тривале використання інструменту. При використанні будь-якого інструменту протягом тривалого періоду часу не забувайте робити регулярні перерви.
- Порушення слуху.
- Небезпека для здоров'я через вдихання пилу, що утворюється під час використання інструменту (наприклад, при роботі з деревом, особливо з дубом, буком та ДВП)
- В жодному разі не підносьте та не переносьте пристрій з електродвигуном, який працює.

ЗБЕРІГАЙТЕ ЦІ ІНСТРУКЦІЇ

Зарядні пристрої

DEWALT не вимагають налаштувань і розроблені для максимально простого використання.

Електрична безпека

Електричний двигун розроблений для роботи лише з одним значенням напруги. Завжди перевіряйте, що напруга акумулятора відповідає напрузі, що вказана в технічних даних. Також переконайтесь, що напруга зарядного пристрою відповідає напрузі мережі живлення.



Ваш DEWALT Ваш зарядний пристрій виробництва компанії DEWALT має подвійну ізоляцію відповідно до EN60335; тому заземлення не є необхідним.

Якщо кабель живлення пошкоджений, його необхідно замінити на спеціальний кабель, який можна замовити в офіційних сервісних центрах DEWALT. організація обслуговування.

Використання електричного подовжувача

Використовуйте подовжувальний шнур лише за абсолютної необхідності. Використовуйте лише рекомендований подовжувальний шнур, що відповідає споживаній потужності вашого зарядного пристрою (див. **Технічні дані**). Мінімальний розмір січення провідника становить 1 мм²; максимальна довжина — 30 м.

При використанні кабельного барабану завжди витягуйте весь кабель.

Важливі інструкції з техніки безпеки для всіх зарядних пристроїв

ЗБЕРІГАЙТЕ ЦІ ІНСТРУКЦІЇ: У цьому керівництві містяться важливі інструкції з техніки безпеки та використання для сумісних зарядних пристроїв (див. «Технічні дані»).

- *Перед використанням зарядного пристрою прочитайте всі інструкції та попередження на зарядному пристрої, акумуляторах та продукті, для якого ці акумулятори використовуються.*



ПОПЕРЕДЖЕННЯ: Небезпека ураження електричним струмом. Не допускайте потрапляння рідини в зарядний пристрій. Це може призвести до ураження електричним струмом.



ПОПЕРЕДЖЕННЯ: Ми рекомендуємо використовувати пристрій з керуванням диференційним струмом з номінальним значенням диференційного струму 30 мА або менше.



УВАГА: Небезпека опіку. Для зниження ризику виникнення травм заряджайте лише акумулятори DEWALT. акумуляторні батареї. Інші типи акумуляторів можуть вибухнути, спричинивши теплесні ушкодження та пошкодження майна.



УВАГА: Уважно слідкуйте за тим, щоб діти не гралися з пристроєм.

ПРИМІТКА: За певних умов, коли зарядний пристрій підключений до мережі живлення, незахищені контакти всередині зарядного пристрою можуть замкнутися будь-яким стороннім предметом. Сторонні предмети, що проводять струм, наприклад металева стружка, алюмінієва фольга або будь-які металеві деталі, необхідно зберігати подалі від зарядного пристрою. Завжди відключайте зарядний пристрій від розетки, коли батарея не встановлена в зарядний пристрій. Відключіть зарядний пристрій від мережі живлення перед його очищенням

- **НЕ намагайтеся заряджати акумулятор зарядними пристроями, що не вказані в цьому керівництві.** Зарядний пристрій та акумулятори даної моделі розроблені для сумісної експлуатації.
- **Ці зарядні пристрої не призначені ні для чого іншого, крім зарядки акумуляторів DEWALT акумуляторні батареї.** Використання з іншими акумуляторами може призвести до виникнення пожежі або ураження електричним струмом.
- **Не надавайте зарядний пристрій впливу дощу або снігу.**
- **При відключенні зарядного пристрою від мережі живлення тягніть за вилку, а не за кабель.** Це зменшить ризик пошкодження вилки та кабелю.
- **Переконайтесь, що кабель розміщений так, щоб на нього не наступали, не ходили по ньому та не піддавали його іншим фізичним впливам.**
- **Не використовуйте подовжувальний шнур окрім випадків, коли це абсолютно необхідно.** Використання невідповідних подовжувальних шнурів може призвести до пожежі або ураження електричним струмом.
- **Не кладіть будь-які предмети на зарядний пристрій та не залишайте зарядний пристрій на м'якій поверхні, що може заблокувати вентиляційні отвори та призвести до надмірного нагрівання.** Розташуйте зарядний пристрій подалі від джерел тепла. Зарядний пристрій вентилюється крізь отвори у верхній та нижній частинах корпусу.
- **Не використовуйте зарядний пристрій із пошкодженим кабелем або вилкою** — їх потрібно негайно замінити.
- **Не використовуйте зарядний пристрій, якщо той отримав різкий удар, впав або був пошкоджений іншим чином.** Віднесіть його до авторизованого сервісного центру.
- **Якщо зарядний пристрій вимагає технічного обслуговування або ремонту, не розбирайте його самотужки, а віднесіть до авторизованого сервісного центру.** Невідповідні способи використання можуть призвести до виникнення пожежі або ураження електричним струмом.
- Якщо кабель живлення пошкоджено, для уникнення небезпеки його необхідно негайно замінити, звернувшись до виробника, спеціаліста сервісного центру або іншого кваліфікованого спеціаліста.
- **Відключайте зарядний пристрій від розетки перед його очищенням.** Це дозволяє знизити ризик ураження електричним струмом. Видалення акумулятора не знижує ризик.
- **НИКОЛИ не намагайтесь з'єднати два зарядні пристрої.**
- **Цей зарядний пристрій розрахований на роботу зі стандартною напругою побутової електромережі 230 В. Не намагайтесь використовувати його з іншою напругою.** Це не стосується автомобільних зарядних пристроїв.

Зарядка акумулятора (Рис. [Fig.] B)

1. Підключіть зарядний пристрій до відповідної розетки перед встановленням акумулятора.
2. Вставте акумулятор **23** у зарядний пристрій до упору. Червоний індикатор («зарядка») буде блимати, вказуючи на початок процесу зарядки.

3. Коли зарядку завершено, червоний індикатор горить, не блимаючи. Це означає, що акумулятор повністю заряджений та може використовуватися одразу або залишатися в зарядному пристрої. Щоб витягнути акумулятор із зарядного пристрою, натисніть кнопку деблокування **24** на акумуляторі.

ПРИМІТКА: щоб забезпечити максимальну продуктивність та тривалість роботи літій-іонного акумулятора, повністю зарядіть його перед першим використанням.

Робота зарядного пристрою

Нижче описані індикатори стану зарядки акумулятора.

Індикатори зарядки	
	Заряджається
	Повністю заряджений
	Затримка через надмірно високу/низьку температуру акумулятора*

*Червоний індикатор буде продовжувати миготіти, а жовтий індикатор буде горіти під час виконання цього завдання. Коли акумулятор досягне прийнятної температури, жовтий індикатор згасне, а зарядний пристрій відновить процес зарядки.

Сумісний зарядний пристрій не буде заряджати несправний акумулятор. Зарядний пристрій розпізнає несправну батарею та не вмикне світловий індикатор.

ПРИМІТКА: Це також може свідчити про проблему з зарядним пристроєм.

Якщо виявлено проблему із зарядним пристроєм, віднесіть зарядний пристрій та акумулятор для перевірки в авторизований сервісний центр.

Затримка через надмірно високу/низьку температуру акумулятора

Якщо зарядний пристрій визначає, що акумулятор є надмірно гарячим або холодним, він автоматично вмикає режим температурної затримки, припиняючи процес зарядки, доки акумулятор не досягне відповідної температури. Після досягнення прийнятної температури зарядний пристрій автоматично перемикається в режим зарядки акумулятора. Ця функція забезпечує максимальний термін служби акумулятора.

Холодний акумулятор буде заряджатися повільніше порівняно з теплим акумулятором. Такий акумулятор буде заряджатися повільніше протягом всього циклу зарядки та не повернеться до максимального значення зарядки, навіть якщо нагріється.

Зарядний пристрій DCB118 оснащений внутрішнім вентилятором, призначеним для охолодження акумулятора. Вентилятор автоматично вмикається, коли акумулятор потребує охолодження. Ніколи не використовуйте зарядний пристрій, якщо вентилятор працює неналежним чином або вентиляційні отвори заблоковані. Уникайте потрапляння сторонніх предметів усередину зарядного пристрою.

Електронна система захисту

Інструменти з літій-іонними акумуляторами XR розроблені з використанням електронної системи захисту, яка захищає акумулятор від перевантаження, перегрівання або глибокої розрядки.

Пристрій автоматично вимикається, якщо спрацює електронна система захисту. Якщо це сталося, встановіть літій-іонний акумулятор в зарядний пристрій до повної зарядки.

Кріплення на стіну

Ці зарядні пристрої можна закріпити на стіні, чи поставити на стіл або іншу робочу поверхню. При кріпленні на стіну розташуйте зарядний пристрій недалеко від електричної розетки, а також подалі від кутів та інших перешкод, що заважають повітряному потоку. Скористайтеся задньою частиною зарядного пристрою в якості шаблону для розташування кріпильних гвинтів на стіні. Надійно зафіксуйте зарядний пристрій за допомогою шурупів (потрібно придбати окремо) довжиною приблизно 25,4 мм з голівкою діаметром 7–9 мм, що закручуються в дерев'яну поверхню до оптимальної глибини, щоб залишилося приблизно 5,5 мм. Вирівняйте отвори на задній поверхні зарядного пристрою з виступаючими шурупами, після чого повністю вставте шурупи в отвори.

Інструкції з очищення зарядного пристрою



ПОПЕРЕДЖЕННЯ: Небезпека ураження електричним струмом. Відключіть зарядний пристрій від розетки змінного струму перед його очищенням. Бруд та жир можна видалити з поверхні зарядного пристрою за допомогою ганчірки або м'якої неметалевої щітки. Не використовуйте воду та мийні розчини. Не дозволяйте рідині потрапляти всередину інструмента та ніколи не занурюйте деталі інструмента в рідину.

Акумулятор

Важливі інструкції з техніки безпеки для різних типів акумуляторів

При замовленні змінних акумуляторів не забудьте вказати номер за каталогом та напругу.

Новий акумулятор заряджений не повністю. Перед використанням акумулятора та зарядного пристрою прочитайте всі нижче наведені інструкції з техніки безпеки. Після цього виконайте всі вказані пункти процедури зарядки.

ПРОЧИТАЙТЕ ВСІ ІНСТРУКЦІЇ

- **Не заряджайте та не використовуйте акумулятор у вибухонебезпечних умовах, наприклад в присутності легкозаймистих рідин, газів або пилу.** Під час встановлення або виймання батареї з зарядного пристрою може спалахнути пил або пара.
- **На прикладіть зусилля, вставляючи акумулятор в зарядний пристрій. Жодним чином не модифікуйте акумулятор, аби встановити його в несумісний зарядний пристрій, адже**

акумулятор може розірватися та спричинити серйозні травми.

- Використовуйте тільки зарядні пристрої DeWALT для заряджання акумуляторів.
- **НЕ** занурюйте акумулятор у воду та інші рідини та не бризкайте на нього.
- **Не зберігайте та не використовуйте інструмент та акумулятор у місцях, де температура може сягати або перевищувати 40 °C (104 °F) (наприклад, біля гаражів або металевих будівель влітку).**
- **Не спалюйте акумулятор, навіть якщо він сильно пошкоджений або повністю зношений.** Акумулятор може вибухнути у вогні. Коли літій-іонні акумулятори горять, утворюються токсичні випаровування та речовини.
- **Якщо вміст акумулятора потрапив на шкіру, негайно промийте це місце м'яким милом та водою.** Якщо рідина з акумулятора потрапила в очі, промийте відкрите око протягом 15 хвилин або доки подразнення не зникне. Якщо необхідно звернутися до лікаря, акумуляторний електроліт складається з суміші рідких органічних вуглекислих солей та солей літію.
- **Вміст відкритого акумулятора може спричинити подразнення дихальних шляхів.** Вийдіть на свіже повітря. Якщо симптоми не зникають, зверніться до лікаря.



ПОПЕРЕДЖЕННЯ: *Небезпека опіку.* Рідина з акумулятора може спалахнути, якщо на неї потрапить іскра або полум'я.



ПОПЕРЕДЖЕННЯ: *За жодних умов не намагайтесь відкрити акумулятор. За будь-якого пошкодження акумулятора не встановлюйте його у зарядний пристрій. Не бийте, не кидайте та не пошкоджуйте акумулятор. Не використовуйте акумулятор та зарядний пристрій, якщо ті отримали різкий удар, впали або були пошкоджені іншим чином (наприклад, були проколоті цвяхом, вдарені молотком, на них наступили).* Це може призвести до ураження електричним струмом. Пошкоджені акумулятори необхідно повернути до сервісного центру ля переробки.



ПОПЕРЕДЖЕННЯ: *Небезпека виникнення пожежі.* **Зберігайте та переносьте акумулятор так, щоб металеві предмети не торкалися його відкритих контактів.** Наприклад, не кладіть акумулятор у фартух, кишені, ящики з інструментами, коробки з наборами приладдя, шухляди тощо, де можуть бути цвяхи, гвинти, ключі тощо.



УВАГА: *Коли інструмент не використовується, залишайте його на боці на стабільній поверхні в такому місці, де через нього не можна перечепитися та впасти.* Деякі інструменти з великими акумуляторами можуть стояти на батареї, але їх можна легко перекинути.

Транспортування



ПОПЕРЕДЖЕННЯ: Небезпека виникнення

пожежі. Під час перевезення акумуляторів може виникнути пожежа, якщо контакти акумулятора випадково ввійдуть в контакт з електропровідним матеріалом. Під час перевезення акумуляторів переконайтесь, що їхні контакти захищені та добре ізольовані від матеріалів, які можуть увійти з ними в контакт та викликати коротке замикання.

ПРИМІТКА: При перевезенні літій-іонних акумуляторів не можна здавати їх в багаж.

Акумулятори DeWALT відповідають всім нормам перевезення, описаним у галузевих та законодавчих положеннях, включно з рекомендаціями ООН про перевезення небезпечних вантажів, правилами перевезення небезпечних вантажів Міжнародної організації повітряного транспорту (IATA), міжнародними правилами перевезення небезпечних вантажів водним транспортом (IMDG) та Європейській угоді про міжнародне дорожнє перевезення небезпечних вантажів (ADR). Літій-іонні елементи живлення та акумулятори були перевірені відповідно до розділу 38.3 керівництва з тестів та критеріїв щодо перевезення небезпечних вантажів Рекомендацій ООН.

У більшості випадків перевезення акумуляторів DeWALT може бути класифіковано як перевезення небезпечних речовин, що повністю підпадають під клас 9. Загалом тільки вантажі, що містять літій-іонні акумулятори ємністю більше за 100 ват-годин (Вт-год.), вимагають транспортування відповідно до норм перевезення небезпечних речовин, що повністю підпадають під Клас 9. На всі літій-іонні акумулятори нанесено значення ват-годин. Крім того, через складності законодавчих норм компанія DeWALT не рекомендує транспортування окремо літій-іонних акумуляторів повітряним транспортом, незалежно від показника ват-годин. Перевезення інструментів з акумуляторами (у комплекті) можна виконувати повітряним транспортом, якщо значення ват-годин не перевищує 100 Вт-год.

Незалежно від того, чи вантаж вважається виключеним або повністю регламентованим, вантажовідправник несе відповідальність за відповідність останнім нормам щодо вимог до упаковки, етикеток/маркування та документації. Інформація, що наводиться у цьому розділі керівництва, сумлінно перевірена та вважається дійсною на момент складання документації. Проте чинні нормативи можуть підлягати змінам. Покупець несе відповідальність за те, щоб його дії відповідали певним нормам.

Транспортування батареї FLEXVOLT™

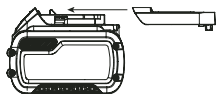
Батарея DeWALT FLEXVOLT™ має два режими: **використання та транспортування.**

Режим використання. при використанні батареї FLEXVOLT™ окремо або в продукті DeWALT 18В вона працює як батарея потужністю 18 В. Якщо батарею FLEXVOLT™ встановлено у пристрій потужністю 54 В або 108 В (дві батареї 54 В), вона буде працювати як батарея 54 В.

Режим транспортування. якщо на батарею FLEXVOLT™

встановлено кришку, вона знаходиться у режимі транспортування. Не знімайте цю кришку при транспортуванні.

У режимі транспортування послідовність електричних елементів акумулятора роз'єднана, що створює



3 акумулятори з меншим значенням Вт-год в порівнянні з 1 акумулятором із більшим значенням цього показника. Ці 3 акумулятори з нижчим значенням ват-годин можуть бути виключені з певних норм транспортування, що застосовуються для акумуляторів з більшим значенням ват-годин.

Наприклад, показник транспортування може бути 3 × 36 Вт-год, що означає 3 акумулятори по 36 Вт-год кожний. При цьому показник Вт-год в режимі використання може бути вказаний як 108 Вт-год (1 акумулятор).

Приклад маркування способів використання та транспортування

**Рекомендації щодо зберігання**

1. Найкращим місцем для зберігання інструмента є прохолодне сухе місце, куди не потрапляють прямі сонячні промені та немає доступу тепла та холоду. Для оптимальної продуктивності та терміну служби батарей зберігайте їх за кімнатної температури, коли вони не використовуються.
2. При тривалому зберіганні для оптимального результату рекомендується помістити повністю заряджений акумулятор у сухе прохолодне місце поза зарядним пристроєм.

ПРИМІТКА: Не рекомендується зберігати акумулятор повністю розрядженим. Акумулятор потрібно перезарядити перед використанням.

Етикетки на зарядному пристрої та акумуляторі

Крім символів, що використовуються у цьому керівництві, етикетки на зарядному пристрої та акумуляторі можуть містити наведені нижче позначки.



Прочитайте інструкції цього керівництва перед використанням.



Див. розділ «Технічні дані» щодо часу зарядки.



Не торкайтеся електропровідними предметами.



Не заряджайте пошкоджені акумулятори.



Не піддавайте впливу води.



Негайно замінійте пошкоджений дріт живлення.



Заряджайте акумулятор за температури 4–40 °С.



Лише для використання в приміщенні.



LI-ION

Утилізуйте акумулятори з належною турботою про навколишнє середовище.



Заряджайте акумулятори DEWALT лише за допомогою спеціальних зарядних пристроїв DEWALT. Зарядка інших акумуляторних батарей, ніж призначені DEWALT, у зарядному пристрої DEWALT може призвести до їх вибуху або інших небезпечних ситуацій.



Не спалюйте акумулятори.



ВИКОРИСТАННЯ (без кришки для транспортування).
Приклад: Значення Вт-год становить 108 Вт-год (1 акумулятор потужністю 108 Вт-год).



ТРАНСПОРТУВАННЯ (зі встановленою кришкою для транспортування). Приклад: Значення Вт-год становить 3 × 36 Вт-год (3 акумулятори потужністю 36 Вт-год).

Тип акумулятора

Пристрій DCMWSP564 працює від акумулятора потужністю 18 вольт.

Для експлуатації придатні акумулятори наступних моделей: DCB181, DCB182, DCB183, DCB183B, DCB184, DCB184B, DCB185, DCB187, DCB189, DCB546, DCB547, DCB548. Див. додаткову інформацію у розділі **Технічні дані**.

Комплект поставки

До комплекту входить:

- 1 Газонокосарка
- 1 Травозбірник
- 1 Боковий вихідний жолоб
- 1 Захисний ключ
- 1 Керівництво з експлуатації

ПРИМІТКА. Акумулятори, зарядні пристрої та коробки для зберігання не входять до комплекту моделей N. Акумулятори та зарядні пристрої не входять до комплекту моделей NT. Моделі B включають акумулятори для приладів з підтримкою Bluetooth®.

ПРИМІТКА. Текстовий знак та логотипи Bluetooth® є зареєстрованими товарними знаками, що належать компанії Bluetooth®, SIG, Inc. Будь-яке використання таких знаків компанією DEWALT здійснюється згідно з ліцензією. Інші торгові марки й торгові назви належать відповідним власникам.

- Перевірте інструмент, деталі та приладдя на пошкодження, що могли виникнути під час транспортування.
- Перед використанням уважно прочитайте та повністю зрозумійте це керівництво.

Маркування на інструменті

На інструменті є наступні піктограми:



Прочитайте інструкції цього посібника перед використанням.



Пам'ятайте про те, що леза є гострими. Ножі продовжують обертатися після вимкнення двигуна. Перед обслуговуванням зніміть пристрій відключення.



Бережіться об'єктів, які летять. Тримайте сторонніх людей подалі від зони різання.



В Директиві 2000/14/ЕС вказана гарантована звукова потужність.



Не залишайте прилад під дощем.



Леза продовжують обертатися після вимкнення двигуна.

Розташування коду дати (Рис. А)

Код дати **19**, що включає також рік виробництва, зазначений на корпусі.

Приклад:

2021 XX XX

Рік виробництва

Опис (рис. А)



УВАГА! Ніколи не модифікуйте електричні інструменти або їх деталі. Це може призвести до пошкодження майна або тілесних ушкоджень.

- 1 Блок перемикачів
- 2 Кнопка увімкнення-вимкнення
- 3 Захисний ключ
- 4 Основна ручка (верхня ручка)
- 5 Ручка-дужка
- 6 Ручка, що запускає пристрій
- 7 Фіксатори ручки
- 8 Кронштейни ручки
- 9 Отвори для фіксації рукоятки
- 10 Кришка батарейного відсіку
- 11 Важіль регулювання висоти відрізання
- 12 Задня кришка

- 13 Травозбірник
- 14 Ручка травозбірника
- 15 Бокова заслінка
- 16 Боковий вихідний жолоб
- 17 Нижня частина ручки.
- 18 Рукоятки верхньої ручки

Сфера застосування

Ця газонокосарка призначена для професійного косіння газонів.

НЕ використовуйте за умов підвищеної вологості або в присутності легкозаймистих рідин та газів.

Ця газонокосарка є професійним пристроєм для догляду за газоном.

НЕ дозволяйте дітям підходити на небезпечну відстань та торкатися інструмента. Використання інструмента недосвідченими операторами потребує нагляду.

- **Діти та хворі люди.** Цей пристрій не призначений для експлуатації дітьми та особами з обмеженими розумовими та фізичними можливостями без стороннього контролю.
- Цей пристрій не призначений для використання особами (включаючи дітей) із зниженими фізичними, сенсорними або розумовими можливостями або особами, яким бракує досвіду або знань за винятком випадків, коли такі особи працюють під наглядом особи, яка несе відповідальність за їх безпеку. Не можна залишати дітей наодинці з цим приладом.

МОНТАЖ ТА НАЛАШТУВАННЯ



НЕБЕЗПЕЧНО! Для зниження ризику отримання серйозних травм вимкніть пристрій та вийміть захисний ключ і акумуляторні батареї перед виконанням будь-яких регулювань, зняттям/встановленням насадок або приладдя. Випадковий запуск може призвести до травм.

Регулювання висоти ручки (рис. А, С)

Косарка постачається в режимі зберігання. Перед продовженням роботи необхідно перевести ручку в робоче положення.

1. Щоб розблокувати нижню ручку **17** з положення зберігання, поверніть дві рукоятки фіксації ручки **7** на чверть оберту. Рукоятки фіксації ручки **7** розташовані по обидва боки від нижньої ручки **17**.
2. Підніміть нижню ручку в робоче положення. Будьте обережні, щоб не затиснути і не навантажити шнур.
3. Поверніть рукоятки фіксації ручки **7** на чверть оберту, закріпивши нижню ручку у відповідному положенні.

Встановлення верхньої ручки (рис. А, D)

1. Зіставте отвори в нижній частині верхньої ручки **4** з отворами у верхній частині нижньої ручки **17**. Будьте обережні, щоб не затиснути і не навантажити шнур.

ПРИМІТКА. Переконайтесь, що шнур розташований на передній частині обох ручок. Інакше це може привести до заплутування шнура і неможливості легкого зберігання газонокосарки.

- З внутрішньої сторони нижньої ручки **4** вставте болт ручки **20** через два отвори в ручці. Повторіть ці дії для протилежної сторони.
- З зовнішньої сторони верхньої ручки затягніть рукоятку ручки **18** на кожну бокову ручку **20**. Будьте обережні, щоб не затиснути і не навантажити шнур.

Травозбірник (рис. Е)

⚠ НЕБЕЗПЕЧНО! *Вимкніть пристрій та вийміть захисний ключ та акумуляторні батареї.*

- Підніміть задню кришку **11** і встановіть травозбірник **12** на газонокосарку так, щоб виступи травозбірника **16** увійшли в отвори **17** на внутрішніх пластикових поверхнях кронштейнів ручок, як показано на рис. G. Потім опустіть задню кришку.
- Якщо встановлено, зніміть боковий вихідний жолоб **16** і переконайтесь, що бокова заслінка **15** повністю опущена.

Бокове розвантаження (рис. А, F)

⚠ НЕБЕЗПЕЧНО! *Вимкніть пристрій та вийміть захисний ключ та акумуляторні батареї.*

- Для роботи газонокосарки в режимі бокового розвантаження вийміть травозбірник **13**.
- Переконайтесь, що задня кришка **12** закрита.
- Підніміть бокову заслінку **15** і зачепіть боковий вихідний жолоб **16** за газонокосарку.
- Перед увімкненням газонокосарки відпустіть бокову заслінку і переконайтесь в тому, що боковий вихідний жолоб **16** тримається на місці.

Мульчування (рис. А, Е, F)

⚠ НЕБЕЗПЕЧНО! *Вимкніть пристрій та вийміть захисний ключ та акумуляторні батареї.*

- Для роботи газонокосарки в режимі мульчування вийміть травозбірник **13**.
- Переконайтесь, що задня кришка **12** закрита.
- Якщо встановлено, зніміть боковий вихідний жолоб **16** і переконайтесь, що бокова заслінка **15** повністю опущена.

Регулювання висоти газонокосарки (рис. G, H)

⚠ НЕБЕЗПЕЧНО! *Ніколи не намагайтесь регулювати висоту газонокосарки під час роботи двигуна.*

Висота скошування регулюється за допомогою переднього і заднього важелів регулювання висоти скошування **11**.

ПРИМІТКА. Якщо ви не впевнені, на якій висоті зрізати, починайте косити, встановивши передній і задній важелі

регулювання висоти скошування **11** в найвищі положення, і регулюйте висоту за необхідністю.

Встановлення висоти скошування

- Витягніть задній важіль регулювання висоти скошування **11** із фіксуючої виїмки **25**.
 - Подайте важіль у напрямку передньої частини пристрою, щоб збільшити висоту різання за бажанням.
 - Подайте важіль у напрямку задньої частини пристрою, щоб зменшити висоту різання за бажанням.
 - Встановіть важіль регулювання висоти скошування **11** в одну із фіксуючих виїмок **25**, щоб встановити висоту.
 - Повторіть дії для переднього важеля регулювання висоти скошування **11**, за винятком того, що важіль переміщується в сторону задньої частини пристрою для збільшення висоти скошування, і в бік передньої частини пристрою для зменшення висоти скошування.
- ПРИМІТКА.** Для досягнення найкращих результатів передній і задній важелі регулювання висоти скошування **11** повинні бути встановлені на однакову висоту скошування, на що вказує цифра поруч з виїмкою.

РЕЖИМ РОБОТИ

Інструкції з використання

- ⚠ ПОПЕРЕДЖЕННЯ:** *Завжди дотримуйтесь усіх інструкцій з техніки безпеки та відповідних норм.*
- ⚠ ПОПЕРЕДЖЕННЯ:** *Щоб знизити ризик серйозних тілесних ушкоджень, вимкніть інструмент та відключіть акумулятор перед виконанням будь-яких налаштувань або змінням/встановленням додаткового обладнання або приладдя. Випадковий запуск може призвести до травм.*

Належне положення рук (Рис. L)

- ⚠ ПОПЕРЕДЖЕННЯ:** *Щоб знизити ризик серйозних травм, ЗАВЖДИ правильно розташуйте руки, як показано.*
- ⚠ ПОПЕРЕДЖЕННЯ:** *Щоб знизити ризик серйозних травм, ЗАВЖДИ надійно тримайте інструмент, щоб попередити випадкову віддачу.*

При правильному положенні рук необхідно обома руками тримати за основну ручку **4** та ручку-дужку **5**.

ПЕРЕД ПОЧАТКОМ РОБОТИ З ГАЗОКОСАРКОЮ ОЗНАЙОМТЕСЯ З ДАНИМ КЕРІВНИЦТВОМ З ЕКСПЛУАТАЦІЇ

Повний список компонентів наведено на рисунку А на початку цього посібника. Зберігайте цей посібник для використання в майбутньому.

- ⚠ НЕБЕЗПЕЧНО!** *Леза рухаються і є гострими. Не використовуйте газонокосарку в режимі мульчування, якщо задні дверцята та дверцята для бокового розвантаження не закриті під дією натягу пружини, так як це може призвести до важких*

трав. Віднесіть газонокосарку в найближчий сервісний центр для ремонту.



НЕБЕЗПЕЧНО! Не експлуатуйте газонокосарку, якщо ручка не зафіксована в положенні.



НЕБЕЗПЕЧНО! Леза рухаються і є гострими. Ніколи не використовуйте газонокосарку в режимі збору трави, якщо виступи травозбірника не розміщені належним чином на косарці, а задні дверцята для розвантаження щільно прилягають до верхньої частини травозбірника, оскільки це може призвести до серйозних травм.



УВАГА! Газонокосарка повинен працювати з рекомендованою швидкістю. Не перевантажуйте його.

Встановлення та виймання акумуляторів (рис. Н)



НЕБЕЗПЕЧНО! ПЕРЕД ВСТАНОВЛЕННЯМ ТА ЗНІМАННЯМ БАТАРЕЙ ПЕРЕКОНАЙТЕСЬ, ЩО ЗАХИСНИЙ КЛЮЧ ВІЙНЯТО, ЩОБ УНИКНУТИ ВИПАДКОВОГО ЗАПУСКУ.

Ця косарка призначена для роботи від двох акумуляторних батарей однакової ємності. Газонокосарка не працюватиме з однією акумуляторною батареєю, і при використанні батарей різної ємності, коли розрядиться батарея меншої ємності, пристрій вимкнеться.

ПРИМІТКА. Для забезпечення найкращих результатів переконайтеся, що акумуляторні батареї **23** повністю заряджені.

Встановлення акумуляторних батарей

1. Підніміть кришку батарейного відсіку **10**, щоб відкрити батарейний відсік **19**.
2. Вставте акумуляторну батарею **23** у відсік, поки не пролунає відповідне клацання. Повторіть для другої батареї

ПРИМІТКА. Перед запуском газонокосарки переконайтеся, що акумуляторні батареї повністю сіли на свої місця та повністю зафіксовані у відповідному положенні.

3. Закрийте кришку батарейного відсіку. Перед запуском газонокосарки переконайтеся, що кришка повністю закрита.

Виймання акумуляторних батарей

1. Підніміть кришку батарейного відсіку, щоб відкрити батарейний відсік.
2. Натисніть кнопку витягування батареї **24** на акумуляторній батареї та витягніть акумуляторні батареї з інструменту.

Захисний ключ (рис. J)



НЕБЕЗПЕЧНО! Леза рухаються і є гострими. Щоб запобігти випадковому запуску або несанкціонованому використанню вашої акумуляторної косарки, в конструкцію вашої косарки вбудований знімний захисний ключ (3). Після

виймання захисного ключа з газонокосарки вона буде повністю вимкнена.



НЕБЕЗПЕЧНО! Леза, що обертаються, можуть спричинити серйозні травми. Щоб уникнути серйозних травм вимикайте пристрій і виймайте захисний ключ і акумуляторні батареї, коли газонокосарка знаходиться без нагляду або при її зарядці, очищенні, обслуговуванні, транспортуванні, підйомі або зберіганні.

Запуск газонокосарки (рис. I–L)



НЕБЕЗПЕЧНО! Леза рухаються і є гострими. Ніколи не намагайтесь змінювати спосіб використання цього блоку перемикачів та системи захисного ключа, тому що це може призвести до серйозних травм.



УВАГА! Перед запуском косарки переконайтеся, що самохідний привід відключений.

ПРИМІТКА. Газонокосарка працює при встановлених акумуляторних батареях та захисному ключі.

1. Підніміть кришку батарейного відсіку **10**, щоб відкрити батарейний відсік **26**.
2. Вставте акумуляторну батарею **23** у відсік **26**, поки не пролунає відповідне клацання. Повторіть цей процес для другого батарейного відсіку.

ПРИМІТКА. Перед запуском газонокосарки переконайтеся, що акумуляторні батареї повністю сіли на свої місця та повністю зафіксовані у відповідному положенні.

3. Закрийте кришку батарейного відсіку. Перед запуском газонокосарки переконайтеся, що кришка повністю закрита.
4. Вставте захисний ключ **3** в БЛОК перемикачів **1** до повної посадки всередині корпусу. Тепер газонокосарка готова до роботи.
5. Ваша газонокосарка оснащена спеціальним БЛОКОМ перемикачів **1**. Для роботи з газонокосаркою натисніть і утримуйте кнопку УВІМКНЕННЯ/ВИМКНЕННЯ **2** на БЛОЦІ перемикачів **1**, а потім потягніть ручку-дужку **5** до основної ручки **4**.

ПРИМІТКА. Після запуску газонокосарки можна відпустити кнопку УВІМКНЕННЯ/ВИМКНЕННЯ, але для її роботи необхідно продовжувати утримувати ручку-дужку на основний ручці.

6. Щоб ВИМКНУТИ газонокосарку, просто відпустіть ручку-дужку **5**.



УВАГА! В жодному разі не намагайтесь заблокувати перемикач або ручку-дужку у ввімкненому положенні.

ПРИМІТКА. Коли ручка-дужка повертається у вихідне положення, вона активує «Механізм автоматичного гальмування». Двигун буде загальмований, а лезо газонокосарки перестане обертатися через 3 секунди або навіть менше. Якщо лезо газонокосарки обертається більше трьох секунд, припиніть її використання та виконайте технічне обслуговування.

Система приводу змінної швидкості (рис. L)



НЕБЕЗПЕЧНО! *Леза рухаються і є гострими. Ніколи не намагайтесь змінювати спосіб використання цього блоку перемикачів, системи самоприводу або системи захисного ключа, тому що це може призвести до серйозних травм.*

Ваша косарка оснащена приводом змінної швидкості. Ця система залежить від перемикача леза. Її можна використовувати тільки коли лезо обертається.

1. Дотримуйтесь інструкцій по **запуску газонокосарки**.
2. Щоб увімкнути самохідний привід, утримуйте однією рукою ручку-дужку леза **5** в положенні навпроти основної ручки **4**.
3. Іншою рукою потягніть важіль швидкості **6** в сторону основної ручки.
4. Ви можете тримати тільки важіль швидкості **6** або одночасно тримати ручку-дужку **5** і важіль швидкості.
5. Щоб вимкнути самохідний привід, відпустіть важіль швидкості **6**.

ПРИМІТКА. Коли ви вимикаєте привід, наприклад, біля кінця рядка, колеса можуть тимчасово заблокуватися, якщо ви потягнете газонокосарку назад. Просто стовхніть пристрій дещо вперед, а потім змістіть косарку у необхідне положення.

ПРИМІТКА. Під час скошування іноді легше керувати газонокосаркою біля деяких предметів, як дерева або інші рослини, коли привід вимкнений. Косарку можна використовувати із вимкненим приводом.

Коліщатко регулюванням змінної швидкості (рис. L)

Ваша косарка оснащена коліщатком регулювання змінної швидкості **36**, розташованим на нижній частині корпусу самохідного приводу **28**. Ця система регулює, наскільки швидко або повільно система самохідного приводу призводить косарку в рух.

1. Щоб збільшити швидкість системи самохідного приводу, поверніть коліщатко регулювання змінної швидкості **36** в напрямку стрілки, розташованої поруч з коліщатком регулювання змінної швидкості **36**.
2. Щоб зменшити швидкість системи самохідного приводу, поверніть коліщатко регулювання змінної швидкості **36** в напрямку, протилежному до стрілки, розташованої поруч з коліщатком регулювання змінної швидкості **36**.

Перевантаження косарки

Щоб уникнути пошкодження через перевантаження косарки, не скошуйте занадто багато трави за раз. Сповільніть швидкість скошування або підніміть висоту відрізання.

Зберігання (рис. C, D)



НЕБЕЗПЕЧНО! *Лезо, що обертається, може спричинити серйозні травми. Відпустіть ручку-*

дужку, щоб вимкнути газонокосарку, та витягніть захисний ключ і акумуляторні батареї перед підніманням, транспортуванням або зберіганням газонокосарки. Зберігайте її у сухому приміщенні.



ОБЕРЕЖНО! *Зона затиснення. Щоб уникнути затиснення, при складанні ручок тримайте пальці подаль від області навколо кронштейнів ручки.*

Ручка косарки легко складається для швидкого і зручного зберігання.

1. На нижній рукоятці поверніть рукоятки фіксації ручки **7** на чверть оберту.
2. Поверніть ручку в бік передньої частини косарки. Будьте обережні, щоб не затиснути і не навантажити шнур.
3. Поверніть рукоятки фіксації ручки **7** на чверть оберту, щоб зафіксувати ручку в положенні зберігання.
4. Косарку можна зберігати в стоячому положенні, зі знятим травозбірником або в горизонтальному положенні на колесах.

ТЕХНІЧНЕ ОБСЛУГОВУВАННЯ

Ваш електричний інструмент призначений для роботи протягом довгого часу з мінімальним обслуговуванням. Довга задовільна робота приладу залежить від належного обслуговування приладу та регулярного його очищення.



ПОПЕРЕДЖЕННЯ: *Щоб знизити ризик серйозних тілесних ушкоджень, вимкніть інструмент та відключіть акумулятор перед виконанням будь-яких налаштувань або зміння/встановленням додаткового обладнання або приладдя. Випадковий запуск може призвести до травм.*

Зарядний пристрій та акумулятор не підлягають обслуговуванню.

Зняття та встановлення леза (рис. M, N)



НЕБЕЗПЕЧНО! РИЗИК ТРАВМИ. *ПРИ ПОВТОРНИЙ ЗБІРЦІ СИСТЕМИ ЛЕЗ ПЕРЕКОНАЙТЕСЯ, ЩО КОЖНА ДЕТАЛЬ ВСТАНОВЛЕНА ПРАВИЛЬНО, ЯК ОПИСАНО НИЖЧЕ. НЕВІРНИЙ МОНТАЖ ЛЕЗА АБО ІНШИХ ДЕТАЛЕЙ РІЖУЧОЇ СИСТЕМИ МОЖЕ СПРИЧИНИТИ СЕРЬОЗНУ ТРАВМУ.*



НЕБЕЗПЕЧНО! *Для зниження ризику отримання серйозних травм вимикайте пристрій та витягніть захисний ключ і акумуляторні батареї перед виконанням будь-яких регулювань або демонтажу/встановлення приладдя або насадок. Випадковий запуск може призвести до тілесних ушкоджень.*

Замінні леза доступні в офіційному сервісному центрі.

Для цієї косарки необхідне замінне лезо DT20682.

1. Відріжте шматок дерева розміром 2" x 4" **29** (довжиною близько 2 футів) (610 мм), щоб лезо не поверталось при знятті болта леза **30**.



УВАГА! *Використовуйте захисні рукавиці та відповідні засоби захисту очей. Поверніть*

газонокосарку на бік. Будьте обережні з гострими кроями ножа.

2. Розмістіть деревину та відкрутіть болт леза проти годинникової стрілки за допомогою гайкового ключа 5/8" **31** (не входить до комплекту постачання), як показано на рис. N.
3. Зніміть пружинну пластину болта леза **32** і лезо **33**, як показано на рис. M. Перевірте усі деталі на наявність пошкоджень і замініть їх за необхідності.
4. Встановіть заточене або нове лезо на плече адаптера леза **34**, як показано на рис. M. Лезо має крилоподібний виріз, який повинен співпадати і зачіпатися з таким же за формою виступом на адаптері леза.

ПРИМІТКА. При установці заточеного або нового леза на плече адаптера леза переконайтеся, що нижня частина леза з маркуванням **ВОТТОМ** буде звернена до землі, коли косарка повернеться в нормальне вертикальне положення.

5. Встановіть пружинну пластину на лезо. Вставте виступи на пружинній пластині з фіксаторами на лезі, при необхідності повертаючи лезо і пружинну пластину разом.
6. Встановіть шматок бруска таким чином, щоб запобігти провертанню леза, як показано на рис. N. Встановіть болт леза і надійно затягніть його за допомогою гайкового ключа 5/8".

Гостріння леза

для ОПТИМАЛЬНОЇ ПРОДУКТИВНОСТІ ГАЗОНОКОСАРКИ ТРИМАЙТЕ ЛЕЗО ГОСТРИМ. ТУПЕ ЛЕЗО НЕ ЗРІЗАТИМЕ ТРАВУ ЧИСТО.



УВАГА! Використовуйте рукавиці та належні засоби захисту очей під час зняття, гостріння та встановлення леза. Впевніться, що захисний ключ та акумуляторна батарея вийняті.

Двічі загострюйте лезо протягом сезону скошування трави, цього має бути достатньо за нормальних умов використання. Пісок призводить до швидкого затуплення леза. Якщо ваш газон посаджений на піщаному ґрунті, необхідно загострювати лезо частіше. **НЕГАЙНО ЗАМІНЮЙТЕ ЗГІНУТЕ АБО ПОШКОДЖЕНЕ ЛЕЗО.**

Загострення леза:

- Забезпечуйте збереження балансування леза.
- Загострюйте лезо таким чином, щоб зберегти кут первісної ріжучої кромки.
- Загострюйте ріжучі кромки з обох кінців леза, знімаючи однакову кількість металу з кожного кінця.

Загострення леза в лещатах (рис. O)

1. Перед зняттям леза переконайтеся, що лезо зупинилося, ручка-дужка відпущена, захисний ключ і акумуляторні батареї вийняті.
2. Зніміть лезо з газонокосарки. Дивіться інструкції із **Зняття та встановлення леза.**
3. Затисніть лезо **33** в лещатах **35**.

4. Використовуйте належні засоби захисту очей та рукавиці та будьте обережні, щоб не порізатися.
5. Ретельно загостріть ріжучу кромку леза дрібним напилком **37** (не входить до комплекту постачання) або точильним каменем (не входить до комплекту постачання), зберігаючи кут первісної різальної кромки.
6. Перевірте балансування леза. Дивіться інструкції з **Балансування леза.**
7. Установіть лезо на газонокосарці та надійно затягніть.

Балансування леза (рис. P)

Перевірте баланс леза **33**, вставивши в центральний отвір леза цвях або викрутку з круглим жалом **36**, що закріплені в лещатах **35** горизонтально. Якщо один з кінців леза обертається донизу, зніміть метал вздовж гострої кромки сторони, яка нахилилась донизу. Лезо вважається належним чином збалансованим тоді, коли жоден з кінців не обертатиметься донизу.



Змащування

Ваш електричний інструмент не вимагає додаткового змащування.



Очищення



ПОПЕРЕДЖЕННЯ: Коли пил та бруд стають помітними та починають накопичуватися біля вентиляційних отворів, вивувайте бруд та пил зсередини основного корпусу за допомогою сухого повітря. Використовуйте рекомендовані засоби захисту органів зору та рекомендовану протипилову маску при виконанні цієї операції.



ПОПЕРЕДЖЕННЯ: Ніколи не використовуйте розчинники та інші агресивні хімічні засоби для очищення неметалевих деталей інструмента. Такі хімічні речовини можуть нанести шкоду матеріалам, що використовуються в цих деталях. Використовуйте вологу ганчірку, змочену лише водою з м'яким милом. Не дозволяйте рідині потрапляти всередину інструмента та ніколи не занурюйте деталі інструмента в рідину.

Відпустіть ручку-дужку **6**, щоб вимкнути косарку, дайте лезу зупинитися, а потім вийміть акумуляторні батареї і захисний ключ. Очистіть нижню сторону косарки від обрізків трави, які могли там накопичитися. Не розпорошуйте воду або інші рідини. Після кількох використання перевіряйте затягнення всіх з'єднань.

Додаткові аксесуари



ПОПЕРЕДЖЕННЯ: Оскільки інше приладдя, що не зазначене виробником DEWALT, не перевірялося з цим пристроєм, його використання з

інструментом може бути небезпечним. Необхідно використовувати лише рекомендовані DEWALT приладдя з цим пристроєм, щоб знизити ризик отримання травми.

Зверніться до свого дилера для отримання подальшої інформації щодо відповідного приладдя.

Захист навколишнього середовища



Роздільний збір. Пристрої і акумулятори позначені цим символом, не можна викидати зі звичайним побутовим сміттям.

Пристрої і акумулятори містять матеріали, які можна відновити та переробити, що зменшить потребу у сировині. Утилізуйте електротехнічну продукцію і акумулятори відповідно до місцевих положень.

Більш детальну інформацію можна отримати на сайті

www.2helpU.com.

Придатність акумулятора для перезарядки

Дана модель акумулятора підлягає перезарядці у випадку зниження його потужності при виконанні завдань, що попередньо не вимагали особливих зусиль. Наприкінці терміну служби акумулятора утилізуйте його у спосіб, безпечний для навколишнього середовища.

- Повністю розрядіть акумулятор, потім витягніть його з інструменту.
- Літій-іонні акумулятори можна повторно переробляти. Відправте їх до свого дилера або на місцеву переробну станцію. Там зібрані акумулятори будуть перероблені або знищені належним чином.



Виробник:
"Stanley Black & Decker Deutschland
GmbH" Black-&-Decker Str.40, D-65510
Idstein, Німеччина

060

DEWALT

ГАРАНТІЙНИЙ ТАЛОН

**3 РОКИ
ГАРАНТІЇ**

1. Вітаємо Вас з покупкою високоякісного виробу DEWALT і висловлюємо вдячність за Ваш вибір.
2. При покупці виробу вимагайте перевірки його комплекtnості і справності у Вашій присутності, інструкцію з експлуатації та заповнений гарантійний талон українською мовою. В гарантійному талоні повинні бути внесені: модель, дата продажу, серійний номер, дата виробництва інструменту, назва, печатка і підпис торгової організації. За відсутності у Вас правильно заповненого гарантійного талону, а також при невідповідності зазначених у ньому даних ми будемо змушені відхилити Ваші претензії щодо якості даного виробу.
3. Щоб уникнути непорозумінь, переконливо просимо Вас перед початком роботи з виробом уважно ознайомитися з інструкцією з його експлуатації. Правовою основою справних гарантійних умов є чинне Законодавство. Гарантійний термін на даний виріб складає 36 місяці і обчислюється з дня продажу. У разі усунення недоліків виробу, гарантійний строк продовжується на період його перебування в ремонті. Термін служби виробу становить 5 років з дня продажу.
4. У разі виникнення будь-яких проблем у процесі експлуатації виробу рекомендуємо Вам звертатися тільки в уповноважені сервісні центри DEWALT, адреси та телефони яких Ви зможете знайти в гарантійному талоні, на сайті www.2helpU.com або дізнатися в магазині. Наші сервісні станції - це не тільки кваліфікований ремонт, але і широкий асортимент запчастин і аксесуарів.
5. Виробник рекомендує проводити періодичну перевірку і технічне обслуговування виробу в уповноважених сервісних центрах.
6. Наші гарантійні зобов'язання поширюються тільки на несправності, виявлені протягом гарантійного терміну і викликані дефектами виробництва та \ або матеріалів.
7. Гарантійні умови не поширюються на несправності виробу, що виникли в результаті:
 - 7.1. Недотримання користувачем приписів інструкції з експлуатації виробу, застосування виробу не за призначенням, неправильного зберігання, використання приладдя, витратних матеріалів і запчастин, що не передбачені виробником.
 - 7.2. Механічного пошкодження (відколи, тріщини і руйнування) внутрішніх і зовнішніх деталей виробу, основних і допоміжних рукояток, мережевого кабелю, що викликані зовнішнім ударним або будь-яким іншим впливом
 - 7.3. Поتراплення у вентиляційні отвори та проникнення всередину виробу сторонніх предметів, матеріалів або речовин, що не є відходами, які супроводжують застосування виробу за призначенням, такими як: стружка, тирса, пісок, тін.
 - 7.4. Впливу на виріб несприятливих атмосферних і інших зовнішніх факторів, таких як дощ, сніг, підвищена вологість, нагрівання, агресивне середовище, невідповідність параметрів електромережі, що зазначені на інструменті.
 - 7.5. Стихійного лиха. Пошкодження або втрати виробу, що пов'язані з передбаченими лихами, стихійними явищами, у тому числі внаслідок дії непереборної сили (пожежа, блискавка, потоп і інші природні явища), а також внаслідок перепадів напруги в електромережі та іншими причинами, які знаходяться поза контролем виробника.
8. Гарантійні умови не поширюються:
 - 8.1. На інструменти, що піддавалися розкриттю, ремонту або модифікації поза уповноваженим сервісним центром.
 - 8.2. На деталі, вузли та матеріали, що мають сліди природного зносу, такі як: приводні ремені і колеса, вугільні щітки, мастило, підшипники, зубчасті зчеплення редукторів, гумові ущільнення, сальники, направляючі ролики, муфти, вимикачі, бойки, штовхачі, столи тощо.
 - 8.3. На змінні частини: патрони, цанги, затискні гайки і фланці, фільтри, ножі, шліфувальні підшви, ланцюги, зірочки, пильні шини, захисні кожухи, пилки, абразиви, пильні і абразивні диски, фрези, свердла, бури тощо
 - 8.4. На несправності, що виникли в результаті перевантаження інструменту (як механічного, так і електричного), що спричинили вихід з ладу одночасно двох і більше деталей і вузлів, таких як: ротора і статора, обох обмоток статора, веденої і ведучої шестерень редуктора або інших вузлів і деталей. До безумовних ознак перевантаження виробу відносяться, крім інших: поява кольорів мінливості, деформація або оплвлення деталей і вузлів виробу, потемніння або обуглювання ізоляції проводів електродвигуна під впливом високої температури.

Товар отриманий в справному стані, без видимих ушкоджень, в повній комплектації, перевірений у моїй присутності, претензій щодо якості товару не маю. З умовами гарантійного обслуговування ознайомлений і згоден.

П. І. Б. та підпис власника _____

Шановні клієнти, наша мережа авторизованих сервісних центрів постійно розширюється. Актуальну інформацію про обслуговування в місті, що цікавить вас, ви можете дізнатися на сайті

www.2helpU.com

Редакція ВК/12-12-2018

Інформація про інструмент

Найменування інструменту	
Модель	
Найменування продавця	
Дата продажу	

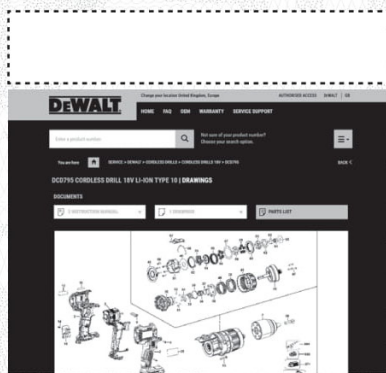
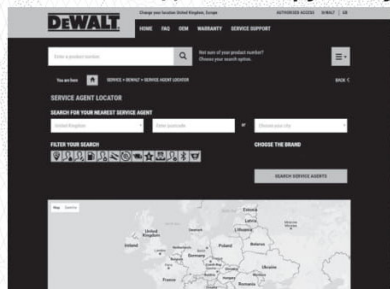
М.П.
Продавця

Серійний номер/Дата виробництва

Інструмент	
Зарядний пристрій	
Акумулятор 1	
Акумулятор 2	

На сайті www.2helpU.com доступні наступні функції:

- Список авторизованих сервісних центрів
- Зручний пошук найближчого сервісного центру
- Керівництво з експлуатації
- Технічні характеристики
- Список деталей і запасних частин
- Схема складання інструменту



Також дану інформацію ви можете отримати, зателефонувавши за номером: 0 (800) 211 521 в Україні

ВІДМІТКА ПРО ПРОВЕДЕННЯ СЕРВІСНОГО ОБСЛУГОВУВАННЯ

№1	№2	№3	№4
№ замовлення	№ замовлення	№ замовлення	№ замовлення
Дата прийому	Дата прийому	Дата прийому	Дата прийому
Дата ремонту	Дата ремонту	Дата ремонту	Дата ремонту
Печатка і підпис сервісного центру	Печатка і підпис сервісного центру	Печатка і підпис сервісного центру	Печатка і підпис сервісного центру

