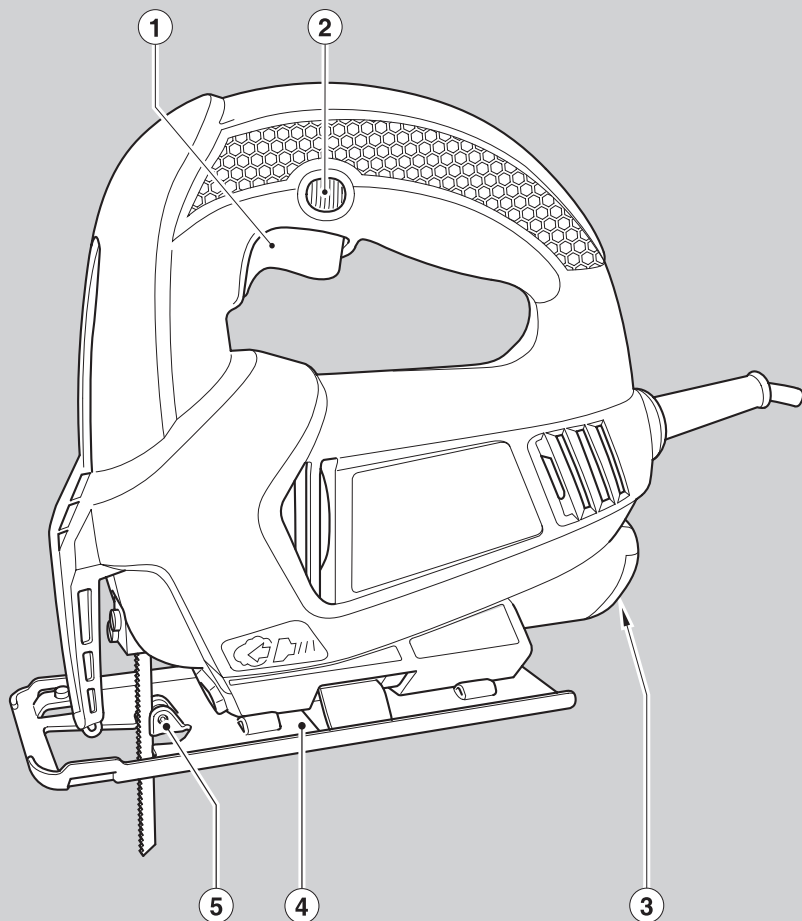


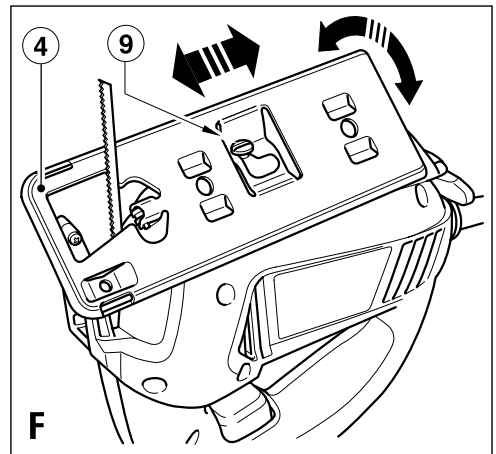
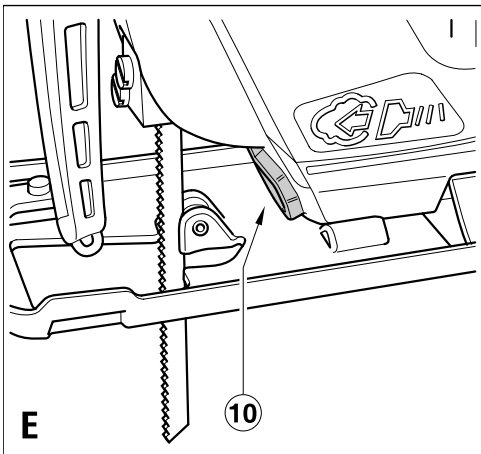
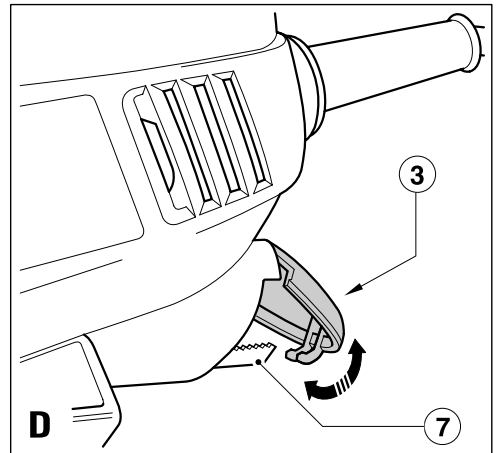
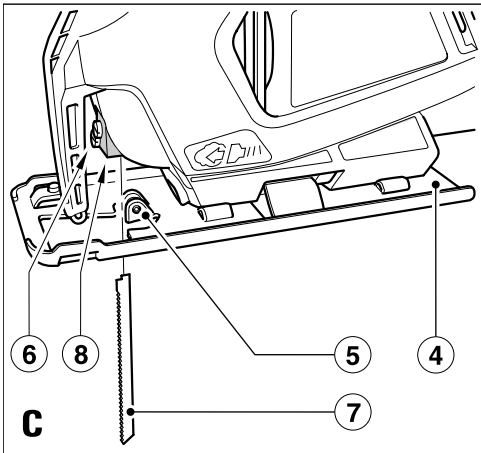
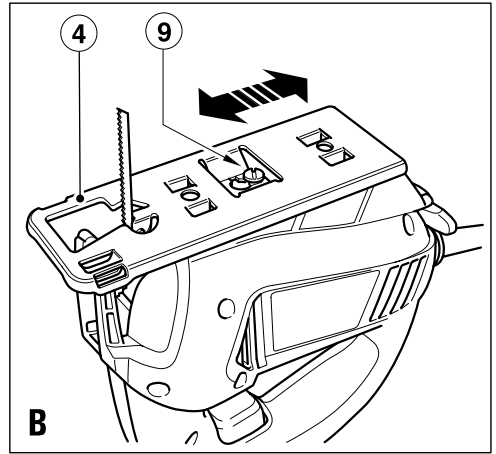
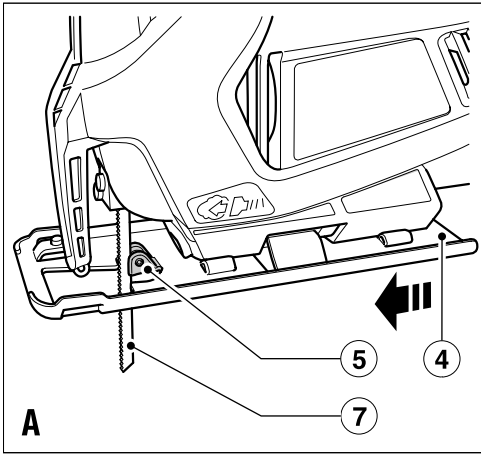
BLACK&DECKER®



www.blackanddecker.eu

KS495
KS500
AST7XC

English	(Original instructions)	4
Deutsch	(Übersetzung der Originalanleitung)	10
Français	(Traduction des instructions d'origine)	16
Česky	(Přeloženo z původního návodu)	22
Magyar	(Fordítás az eredeti kezelési utasítás alapján készült)	28
Polski	(Tłumaczenie oryginalnej instrukcji)	36
Slovenčina	(Preložené z pôvodného návodu)	43
Русский язык	(Перевод с оригинала инструкции)	49
Українська	(Переклад оригінальних інструкцій)	57
Türkçe	(Çevirisi orijinal talimatlardan yapılmıştır)	64



Intended use

Your Black & Decker jigsaw has been designed for sawing wood, plastics and sheet metal. This tool is intended for consumer use only.

Safety instructions

General power tool safety warnings



Warning! Read all safety warnings and all instructions. Failure to follow all instructions may result in electric shock, fire and/or serious injury.

Save all warnings and instructions for future reference. The term "power tool" in all of the warnings listed below refers to your mains operated (corded) power tool or battery operated (cordless) power tool.

1. **Work area safety**
 - a. **Keep work area clean and well lit.** Cluttered and dark areas invite accidents.
 - b. **Do not operate power tools in explosive atmospheres, such as in the presence of flammable liquids, gases or dust.** Power tools create sparks which may ignite the dust or fumes.
 - c. **Keep children and bystanders away while operating a power tool.** Distractions can cause you to lose control.
 2. **Electrical safety**
 - a. **Power tool plugs must match the outlet. Never modify the plug in any way. Do not use any adapter plugs with earthed (grounded) power tools.** Unmodified plugs and matching outlets will reduce risk of electric shock.
 - b. **Avoid body contact with earthed or grounded surfaces such as pipes, radiators, ranges and refrigerators.** There is an increased risk of electric shock if your body is earthed or grounded.
 - c. **Do not expose power tools to rain or wet conditions.** Water entering a power tool will increase the risk of electric shock.
 - d. **Do not abuse the cord. Never use the cord for carrying, pulling or unplugging the power tool. Keep cord away from heat, oil, sharp edges or moving parts.** Damaged or entangled cords increase the risk of electric shock.
 - e. **When operating a power tool outdoors, use an extension cord suitable for outdoor use.**
 3. **Personal safety**
 - a. **Stay alert, watch what you are doing and use common sense when operating a power tool. Do not use a power tool while you are tired or under the influence of drugs, alcohol or medication.** A moment of inattention while operating power tools may result in serious personal injury.
 - b. **Use personal protective equipment. Always wear eye protection.** Protective equipment such as dust mask, non-skid safety shoes, hard hat, or hearing protection used for appropriate conditions will reduce personal injuries.
 - c. **Prevent unintentional starting. Ensure the switch is in the off-position before connecting to power source and/or battery pack, picking up or carrying the tool.** Carrying power tools with your finger on the switch or energising power tools that have the switch on invites accidents.
 - d. **Remove any adjusting key or wrench before turning the power tool on.** A wrench or a key left attached to a rotating part of the power tool may result in personal injury.
 - e. **Do not overreach. Keep proper footing and balance at all times.** This enables better control of the power tool in unexpected situations.
 - f. **Dress properly. Do not wear loose clothing or jewellery. Keep your hair, clothing and gloves away from moving parts.** Loose clothes, jewellery or long hair can be caught in moving parts.
 - g. **If devices are provided for the connection of dust extraction and collection facilities, ensure these are connected and properly used.** Use of these devices can reduce dust related hazards.
 4. **Power tool use and care**
 - a. **Do not force the power tool. Use the correct power tool for your application.** The correct power tool will do the job better and safer at the rate for which it was designed.
 - b. **Do not use the power tool if the switch does not turn it on and off.** Any power tool
- Use of a cord suitable for outdoor use reduces the risk of electric shock.

that cannot be controlled with the switch is dangerous and must be repaired.

- c. **Disconnect the plug from the power source and/or the battery pack from the power tool before making any adjustments, changing accessories, or storing power tools.** Such preventive safety measures reduce the risk of starting the power tool accidentally.
- d. **Store idle power tools out of the reach of children and do not allow persons unfamiliar with the power tool or these instructions to operate the power tool.** Power tools are dangerous in the hands of untrained users.
- e. **Maintain power tools. Check for misalignment or binding of moving parts, breakage of parts and any other condition that may affect the power tools operation. If damaged, have the power tool repaired before use.** Many accidents are caused by poorly maintained power tools.
- f. **Keep cutting tools sharp and clean.** Properly maintained cutting tools with sharp cutting edges are less likely to bind and are easier to control.
- g. **Use the power tool, accessories and tool bits etc. in accordance with these instructions, taking into account the working conditions and the work to be performed.** Use of the power tool for operations different from those intended could result in a hazardous situation.

5. Service

- a. **Have your power tool serviced by a qualified repair person using only identical replacement parts.** This will make sure that the safety of the power tool is maintained.

Additional power tool safety warnings



Warning! Additional safety warnings for jigsaws.

- ◆ **Hold power tool by insulated gripping surfaces, when performing an operation where the cutting accessory may contact hidden wiring or its own cord.** Cutting accessory contacting a "live" wire may make exposed metal parts of the power tool "live" and could give the operator an electric shock.
- ◆ **Use clamps or another practical way to secure and support the workpiece to**

a stable platform. Holding the work by hand or against your body leaves it unstable and may lead to loss of control.

- ◆ **Keep hands away from cutting area.** Never reach underneath the work piece for any reason. Do not insert fingers or thumb into the vicinity of the reciprocating blade and blade clamp. Do not stabilize the saw by gripping the shoe.
- ◆ **Keep blades sharp.** Dull or damaged blades may cause the saw to swerve or stall under pressure. Always use the appropriate type of saw blade for the workpiece material and type of cut.
- ◆ **When cutting pipe or conduit, make sure that they are free from water, electrical wiring, etc.**
- ◆ **Do not touch the workpiece or the blade immediately after operating the tool.** They can become very hot.
- ◆ **Be aware of hidden hazards, before cutting into walls, floors or ceilings, check for the location of wiring and pipes.**
- ◆ **The blade will continue to move after releasing the switch.** Always switch the tool off and wait for the saw blade to come to a complete standstill before putting the tool down.

Warning! Contact with, or inhalation of dusts arising from cutting applications may endanger the health of the operator and possible bystanders. Wear a dust mask specifically designed for protection against dust and fumes and ensure that persons within or entering the work area are also protected.

- ◆ The intended use is described in this instruction manual. The use of any accessory or attachment or performance of any operation with this tool other than those recommended in this instruction manual may present a risk of personal injury and/or damage to property.

Safety of others

- ◆ This appliance is not intended for use by persons (including children) with reduced physical, sensory or mental capabilities, or lack of experience and knowledge, unless they have been given supervision or instruction concerning the use of the appliance by a person responsible for the their safety.
- ◆ Children should be supervised to ensure that they do not play with the appliance.

Vibration

The declared vibration emission values stated in the technical data and the declaration of conformity have been measured in accordance with a standard test method provided by EN 60745 and may be used for comparing one tool with another. The declared vibration emission value may also be used in a preliminary assessment of exposure.

Warning! The vibration emission value during actual use of the power tool can differ from the declared value depending on the ways in which the tool is used. The vibration level may increase above the level stated.

When assessing vibration exposure to determine safety measures required by 2002/44/EC to protect persons regularly using power tools in employment, an estimation of vibration exposure should consider, the actual conditions of use and the way the tool is used, including taking account of all parts of the operating cycle such as the times when the tool is switched off and when it is running idle in addition to the trigger time.

Labels on tools



Warning! To reduce the risk of injury, the user must read the instruction manual.

Electrical safety



This tool is double insulated; therefore no earth wire is required. Always check that the power supply corresponds to the voltage on the rating plate.

- ◆ If the supply cord is damaged, it must be replaced by the manufacturer or an authorised Black & Decker Service Centre in order to avoid a hazard.

Features

1. On/off switch
2. Lock-on button
3. Saw blade storage compartment
4. Shoe plate
5. Saw blade support roller

Assembly

Warning! Before attempting any of the following operations, make sure that the tool is switched off and unplugged and that the saw blade has stopped. Used saw blades may be hot.

Adjusting the saw blade support roller (fig. A & B)

- ◆ Loosen the screw (9).
- ◆ Push the shoe plate (4) forward until the saw blade support roller (5) touches the back edge of the saw blade (7).
- ◆ Tighten the screw (9).

Fitting and removing the saw blade (fig. C)

- ◆ Before fitting or removing the saw blade (7) the saw blade support roller (5) must be adjusted to the rear position so that it does not contact the blade.
- ◆ Loosen (do not remove) the two screws (6).
- ◆ Hold the saw blade (7) with the teeth facing forward.
- ◆ Insert the shank of the saw blade (7) into the blade holder (8) as far as it will go.
- ◆ Slightly tighten the two screws (6) alternately to position the blade, then fully tighten the two screws (6).
- ◆ Adjust the saw blade support roller (5) as described above.
- ◆ To remove the saw blade (7), turn both screws (6) one turn counter-clockwise.

Saw blade storage (fig. D)

Saw blades can be stored in the storage compartment (3) at the rear of the tool.

- ◆ Open the cover of the saw blade storage compartment (3).
- ◆ Remove or store saw blades (7) in the storage compartment. (3).
- ◆ Close the cover of the saw blade storage compartment (3) and make sure that it is latched closed.

Cut line blower (fig. E)

- ◆ To aid visibility when cutting, your jigsaw is equipped with a cut line blower (10) which will keep the work area clear of dust as you saw.

Residual risks

Additional residual risks may arise when using the tool which may not be included in the enclosed safety warnings. These risks can arise from misuse, prolonged use etc.

Even with the application of the relevant safety regulations and the implementation of safety devices, certain residual risks cannot be avoided. These include:

- ◆ Injuries caused by touching any rotating/moving parts.

- ◆ Injuries caused when changing any parts, blades or accessories.
- ◆ Injuries caused by prolonged use of a tool. When using any tool for prolonged periods make sure you take regular breaks.
- ◆ Impairment of hearing.
- ◆ Health hazards caused by breathing dust developer when using your tool (example:- working with wood, especially oak, beech and MDF).

Use

Adjusting the shoe plate for bevel cuts (fig. F)

The shoe plate (4) can be set to make either a straight cut or a bevel cut at an angle of 45°.

- ◆ Loosen the screw (9) (approximately 3 full turns).
- ◆ Lift the shoe plate (4) slightly and pull backward, then rotate the shoe plate until the slot in the shoe plate reaches the 45° position.
- ◆ Tighten the screw (9).

To reset the shoe plate (4) for straight cuts:

- ◆ Loosen the screw (9).
- ◆ Rotate the shoe plate (4) until the slot in the shoe plate reaches the 0° position, then push the shoe plate forwards.
- ◆ Make sure that the saw blade support roller (5) is adjusted correctly.
- ◆ Tighten the screw (9).

Switching on and off

- ◆ To switch the tool on, press the on/off switch (1).
- ◆ To switch the tool off, release the on/off switch (1).
- ◆ For continuous operation, press the lock-on button (2) and release the on/off switch (1).
- ◆ To switch the tool off when in continuous operation, press and release the on/off switch (1).

Sawing

Hold the tool firmly with both hands while cutting. The shoe should be held firmly against the material being cut. This will help prevent the saw from jumping, reduce vibration and minimise blade breakage.

- ◆ Let the blade run freely for a few seconds before starting the cut.
- ◆ Apply only a gentle pressure to the tool while performing the cut.

Hints for optimum use

Sawing laminates

When cutting laminates splintering may occur which can damage the presentation surface. The most common saw blades cut on the upward stroke, therefore if the shoe plate is sitting on the presentation surface either use a saw blade that cuts on the downward stroke or:

- ◆ Use a fine-tooth saw blade.
- ◆ Saw from the back surface of the workpiece.
- ◆ Clamp a piece of scrap wood or hardboard to both sides of the workpiece to minimise splintering, and saw through this sandwich.

Sawing metal

- ◆ Be aware that sawing metal takes much more time than sawing wood.
- ◆ Use a saw blade suitable for sawing metal.
- ◆ When cutting thin sheet metal, clamp a piece of scrap wood to the back surface of the workpiece and cut through this sandwich.
- ◆ Spread a film of oil along the intended line of cut.

Maintenance

Your Black & Decker tool has been designed to operate over a long period of time with a minimum of maintenance.

Continuous satisfactory operation depends upon proper care and regular cleaning.

Warning! Before performing any maintenance or cleaning, make sure that the tool is switched off and unplugged and that the saw blade has stopped.

- ◆ Regularly clean the ventilation slots in your tool and charger using a soft brush or dry cloth.
- ◆ Regularly clean the motor housing using a damp cloth. Do not use any abrasive or solvent-based cleaner. Never let any liquid get inside the tool and never immerse any part of the tool into liquid.

Protecting the environment



Separate collection. This product must not be disposed of with normal household waste.

Should you find one day that your Black & Decker product needs replacement, or if it is of no further use to you, do not dispose of it with household waste. Make this product available for separate collection.



Separate collection of used products and packaging allows materials to be recycled and used again. Re-use of recycled materials helps prevent environmental pollution and reduces the demand for raw materials.

Local regulations may provide for separate collection of electrical products from the household, at municipal waste sites or by the retailer when you purchase a new product.

Black & Decker provides a facility for the collection and recycling of Black & Decker products once they have reached the end of their working life. To take advantage of this service please return your product to any authorised repair agent who will collect them on our behalf.

You can check the location of your nearest authorised repair agent by contacting your local Black & Decker office at the address indicated in this manual. Alternatively, a list of authorised Black & Decker repair agents and full details of our after-sales service and contacts are available on the Internet at: www.2helpU.com.

Technical data

		AST7XC	KS495	KS500
		TYPE2	TYPE1	TYPE1
Voltage	V_{ac}	230	230	230
Power input	W	380	380	400
No load speed	min^{-1}	3000	3000	3000
Max depth of cut				
Wood	mm	60	60	60
Steel	mm	5	5	5
Aluminium	mm	10	10	10
Weight	kg	1.5	1.5	1.5

Level of sound pressure according to EN60745:

L_{pA} (sound pressure) 87 dB(A), uncertainty (K) 3 dB(A), L_{WA} (sound power) 98 dB(A), uncertainty (K) 3 dB(A)

Vibration total values (triax vector sum) according to EN 60745:

Cutting wood ($a_{h,CW}$) 11.5 m/s², uncertainty (K) 1.5 m/s², Cutting sheet metal ($a_{h,CM}$) 12.8 m/s², uncertainty (K) 1.5 m/s²

EC declaration of conformity
MACHINERY DIRECTIVE



AST7XC, KS495, KS500

Black & Decker declares that these products described under „technical data“ are in compliance with: 2006/42/EC, EN60745-1, EN60745-2-11

For more information, please contact Black & Decker at the following address or refer to the back of the manual.

The undersigned is responsible for compilation of the technical file and makes this declaration on behalf of Black & Decker.

Kevin Hewitt
Vice-President
Global Engineering
Black & Decker Europe,
210 Bath Road, Slough,
Berkshire, SL1 3YD
United Kingdom
12-04-2010

Guarantee

Black & Decker is confident of the quality of its products and offers an outstanding guarantee. This guarantee statement is in addition to and in no way prejudices your statutory rights. The guarantee is valid within the territories of the Member States of the European Union and the European Free Trade Area.

If a Black & Decker product becomes defective due to faulty materials, workmanship or lack of conformity, within 24 months from the date of purchase, Black & Decker guarantees to replace defective parts, repair products subjected to fair wear and tear or replace such products to make sure of the minimum inconvenience to the customer unless:

- ◆ The product has been used for trade, professional or hire purposes.
- ◆ The product has been subjected to misuse or neglect.
- ◆ The product has sustained damage through foreign objects, substances or accidents.
- ◆ Repairs have been attempted by persons other than authorised repair agents or Black & Decker service staff.

To claim on the guarantee, you will need to submit proof of purchase to the seller or an authorised repair agent. You can check the location of your nearest authorised repair agent by contacting your local Black & Decker office at the address indicated in this manual. Alternatively, a list of authorised Black & Decker repair agents and full details of our aftersales service and contacts are available on the Internet at: **www.2helpU.com**

Please visit our website

www.blackanddecker.co.uk to register your new Black & Decker product and to be kept up to date on new products and special offers. Further information on the Black & Decker brand and our range of products is available at **www.blackanddecker.co.uk**.

Bestimmungsgemäße Verwendung

Black & Decker Stichsäge wurde zum Sägen von Holz, Kunststoff und Metallblechen entwickelt. Dieses Gerät ist nicht für den gewerblichen Einsatz vorgesehen.

Sicherheitshinweise

Allgemeine Sicherheitswarnungen für das Gerät



Achtung! Lesen Sie alle Sicherheitswarnungen und Anweisungen sorgfältig durch.

Die Nichteinhaltung der aufgeführten Anweisungen kann einen elektrischen Schlag, Brand und/oder schwere Verletzungen verursachen.

Bewahren Sie alle Sicherheitswarnungen und Anweisungen gut auf. Der nachfolgend verwendete Begriff „Gerät“ bezieht sich auf netzbetriebene Geräte (mit Netzkabel) und auf akkubetriebene Geräte (ohne Netzkabel).

1. Sicherheit im Arbeitsbereich

- a. **Halten Sie Ihren Arbeitsbereich sauber und gut ausgeleuchtet.** Unordnung und dunkle Arbeitsbereiche können zu Unfällen führen.
- b. **Arbeiten Sie mit Geräten nicht in explosionsgefährdeter Umgebung, in der sich brennbare Flüssigkeiten, Gase oder Stäube befinden.** Geräte erzeugen Funken, die den Staub oder die Dämpfe entzünden können.
- c. **Halten Sie Kinder und andere Personen während der Benutzung des Geräts fern.** Bei Ablenkung können Sie die Kontrolle verlieren.

2. Elektrische Sicherheit

- a. **Der Netzstecker des Geräts muss in die Steckdose passen. Der Stecker darf in keiner Weise verändert werden. Verwenden Sie für schutzgeerdete Geräte keine Adapterstecker.** Unveränderte Stecker und passende Steckdosen verringern das Risiko eines elektrischen Schlages.
- b. **Vermeiden Sie Körperkontakt mit geerdeten Oberflächen von Rohren, Heizungen, Herden und Kühlschränken.** Es besteht ein erhöhtes Risiko eines elektrischen Schlages, wenn Ihr Körper geerdet ist.
- c. **Halten Sie Geräte von Regen und Nässe fern.** Das Eindringen von Wasser in ein Gerät

erhöht das Risiko eines elektrischen Schlages.

- d. **Verwenden Sie das Kabel ordnungsgemäß. Verwenden Sie es niemals zum Tragen. Trennen Sie das Gerät nicht durch Ziehen am Kabel vom Netz. Halten Sie das Kabel fern von Hitze, Öl, scharfen Kanten oder sich bewegenden Teilen.** Beschädigte oder verwickelte Kabel erhöhen das Risiko eines elektrischen Schlages.
 - e. **Wenn Sie mit einem Gerät im Freien arbeiten, verwenden Sie nur Verlängerungskabel, die auch für den Außenbereich zugelassen sind.** Die Verwendung eines für den Außenbereich geeigneten Verlängerungskabels verringert das Risiko eines elektrischen Schlages.
 - f. **Wenn das Gerät in einer feuchten Umgebung verwendet werden muss, schließen Sie es unbedingt an eine Steckdose mit Fehlerstromschutzschalter (RCD) an.** Ein Fehlerstromschutzschalter verringert das Risiko eines elektrischen Schlags.
- #### 3. Sicherheit von Personen
- a. **Seien Sie aufmerksam, achten Sie darauf, was Sie tun, und gehen Sie sachgerecht mit einem Gerät um. Benutzen Sie das Gerät nicht, wenn Sie müde sind oder unter dem Einfluss von Drogen, Alkohol oder Medikamenten stehen.** Ein Moment der Unachtsamkeit beim Gebrauch des Geräts kann zu ernsthaften Verletzungen führen.
 - b. **Verwenden Sie eine geeignete Schutzausrüstung. Tragen Sie stets eine Schutzbrille.** Schutzausrüstung wie Staubmaske, rutschfeste Sicherheitsschuhe, Schutzhelm oder Gehörschutz, je nach Art und Einsatz des Gerätes, verringert das Risiko von Verletzungen.
 - c. **Vermeiden Sie eine unbeabsichtigte Inbetriebnahme. Vergewissern Sie sich, dass das Gerät ausgeschaltet ist, bevor Sie es an eine Steckdose oder einen Akku schließen, es hochheben oder tragen.** Durch das Tragen des Geräts mit dem Finger am Schalter oder durch das Anschließen eingeschalteter Geräte werden Unfälle provoziert.
 - d. **Entfernen Sie Einstell- oder Schraubenschlüssel, bevor Sie das Gerät einschalten.** Ein Schlüssel in einem sich drehenden Teil kann zu Verletzungen führen.

- e. **Nicht zu weit nach vorn beugen! Achten Sie jederzeit auf einen sicheren Stand, und halten Sie jederzeit das Gleichgewicht.** Dadurch können Sie das Gerät in unerwarteten Situationen besser unter Kontrolle halten.
- f. **Tragen Sie geeignete Kleidung. Tragen Sie keine weite Kleidung oder Schmuck. Halten Sie Haare, Kleidung und Handschuhe fern von sich bewegenden Teilen.** Lockere Kleidung, Schmuck oder lange Haare können von sich bewegenden Teilen erfasst werden.
- g. **Falls Staubabsaug- und -fangvorrichtungen vorhanden sind, vergewissern Sie sich, dass diese angeschlossen sind und richtig verwendet werden.** Diese Vorrichtungen verringern Gefährdungen durch Staub.
4. **Gebrauch und Pflege von Geräten**
- a. **Überlasten Sie das Gerät nicht. Verwenden Sie das für Ihre Arbeit passende Gerät.** Durch das Arbeiten in dem für das Gerät angegebenen Leistungsbereich erzielen Sie nicht nur optimale Ergebnisse, Sie erhöhen auch die Sicherheit.
- b. **Verwenden Sie das Gerät nicht, wenn der Ein-/Ausschalter nicht funktioniert.** Ein Elektrogerät, das sich nicht mehr ein- oder ausschalten lässt, ist gefährlich und muss repariert werden.
- c. **Ziehen Sie den Stecker aus der Steckdose oder trennen Sie das Gerät vom Akku, bevor Sie Einstellungen vornehmen, Zubehörteile wechseln oder das Gerät weglegen.** Diese Vorsichtsmaßnahme verhindert den unbeabsichtigten Start des Gerätes.
- d. **Bewahren Sie unbenutzte Geräte außerhalb der Reichweite von Kindern auf. Lassen Sie Geräte nicht von Personen benutzen, die damit nicht vertraut sind oder diese Anweisungen nicht gelesen haben.** Geräte sind gefährlich, wenn Sie von unerfahrenen Personen benutzt werden.
- e. **Halten Sie Elektrowerkzeuge in einem einwandfreien Zustand. Kontrollieren Sie, ob bewegliche Teile falsch ausgerichtet sind bzw. klemmen und ob Teile gebrochen oder so beschädigt sind, dass die Funktion des Geräts beeinträchtigt ist. Lassen Sie beschädigte Geräte vor dem Gebrauch reparieren.** Viele Unfälle haben ihre Ursache in schlecht gewarteten Geräten.
- f. **Halten Sie Schneidwerkzeuge scharf und sauber.** Sorgfältig gepflegte Schneidwerkzeuge

mit scharfen Schneidkanten verkleben sich weniger und sind leichter zu führen.

- g. **Verwenden Sie Gerät, Zubehör, Einsatz-Bits usw. entsprechend diesen Anweisungen, und berücksichtigen Sie dabei die Arbeitsbedingungen und die auszuführende Arbeit.** Der Gebrauch von Geräten für andere als die vorgesehenen Anwendungen kann zu gefährlichen Situationen führen.

5. Service

- a. **Lassen Sie das Gerät nur von qualifiziertem Fachpersonal und nur mit Originalersatzteilen reparieren.** Die Sicherheit des Geräts bleibt so erhalten.

Zusätzliche Sicherheitswarnungen für das Gerät



Achtung! Zusätzliche Sicherheitswarnungen für Stichsagen.

- ◆ **Halten Sie das Gerät an den isolierten Griffflächen, wenn Sie Arbeiten durchführen, bei denen das Schneidwerkzeug verdeckte Leitungen oder das eigene Kabel berühren kann.** Wenn das Schneidwerkzeug eine stromführende Leitung berührt, können offen liegende Metallteile am Gerät ebenfalls unter Strom gesetzt werden und beim Bediener einen Stromschlag verursachen.
- ◆ **Fixieren Sie das Werkstück mit Zwingen oder ähnlichen Hilfsmitteln auf einer stabilen Oberfläche.** Wenn Sie das Werkstück nur mit den Händen oder gegen Ihren Körper halten, können Sie leicht die Kontrolle verlieren.
- ◆ **Halten Sie Ihre Hände von der Schneidzone fern.** Greifen Sie niemals unter das zu schneidende Werkstück. Bewegen Sie Ihre Finger nicht in die Nähe des sich bewegenden Sägeblattes und dessen Klemme. Versuchen Sie nicht, die Säge zu stabilisieren, indem Sie diese an der Grundplatte festhalten.
- ◆ **Halten Sie Sägeblätter scharf.** Stumpfe oder beschädigte Sägeblätter können dazu führen, dass die Säge unter Druck blockiert oder ausbricht. Verwenden Sie immer ein für das jeweilige Werkstück und die Art des Schnittes geeignetes Sägeblatt.
- ◆ **Achten Sie beim Sägen von Rohren oder Leitungen darauf, dass diese frei von Wasser, Stromkabeln und Ähnlichem sind.**

- ◆ **Berühren Sie das Werkstück oder das Sägeblatt nicht direkt nach dem Gebrauch des Geräts**, da beide Teile sehr heiß werden können.
- ◆ **Achten Sie auch auf nicht sichtbare Gefahren, wenn Sie in Wände, Böden oder Decken sägen. Prüfen Sie diese Stellen auf dahinter liegende Kabel oder Rohre.**
- ◆ **Das Sägeblatt bewegt sich auch dann noch, wenn Sie den Schalter losgelassen haben.** Schalten Sie das Gerät vor dem Ablegen stets aus, und warten Sie, bis das Sägeblatt zum Stillstand gekommen ist.

Achtung! Die Berührung und das Einatmen von Stäuben, die beim Sägen von Materialien entstehen, können beim Bediener und bei Zuschauern gesundheitliche Schäden verursachen. Tragen Sie eine speziell für den Schutz vor Stäuben und Dämpfen vorgesehene Staubmaske, und stellen Sie sicher, dass auch andere Personen geschützt sind, die den Arbeitsplatz betreten oder sich dort aufhalten.

- ◆ Der vorgesehene Verwendungszweck ist in dieser Anleitung beschrieben. Die Verwendung von Zubehör oder Anbauteilen, die nicht in dieser Anleitung empfohlen sind, sowie die Bedienung des Geräts in Abweichung von dieser Anleitung kann zu Personenund/oder Sachschäden führen.

Sicherheit anderer Personen

- ◆ Dieses Gerät darf nicht von Personen (einschließlich Kindern) mit eingeschränkten körperlichen, sensorischen oder geistigen Fähigkeiten oder mangelnder Erfahrung und Wissen in Bezug auf dessen Gebrauch bedient werden, es sei denn, sie werden bei der Verwendung des Geräts von einer erfahrenen Person beaufsichtigt oder angeleitet.
- ◆ Kinder müssen beaufsichtigt werden, um sicherzustellen, dass sie nicht mit dem Gerät spielen.

Vibration

Die im Abschnitt „Technische Daten und Konformitätserklärung“ angegebenen Werte für die Vibrationsemission wurden mit einer Standard-Prüfmethode nach EN 60745 ermittelt und können zum Vergleich verschiedener Geräte herangezogen werden. Außerdem kann mit Hilfe dieses Werts die Belastung bei Verwendung des Geräts schon im Voraus eingeschätzt werden.

Achtung! Die bei Verwendung des Geräts auftretende Vibrationsemission hängt von der Art des Gerätegebrauchs ab und kann dementsprechend von dem angegebenen Wert abweichen. Gegebenenfalls kann die Vibration über dem angegebenen Wert liegen.

Mit Hilfe der ermittelten Werte der Vibrationsbelastung durch Elektrogeräte lassen sich Sicherheitsmaßnahmen festlegen, die gemäß 2002/44/EC zum Schutze von Personen bestimmt sind, die diese Geräte regelmäßig bei der Arbeit verwenden. Bei der Einschätzung der Vibrationsbelastung sollten die Gebrauchsumstände und die Art der Verwendung des Geräts sowie alle Schritte des Arbeitszyklus berücksichtigt werden, wozu Ruhe-, Leerlauf- und Startzeiten gehören.

Warnsymbole am Geräts



Achtung! Lesen Sie vor Gebrauch die Anleitung durch. Andernfalls besteht Verletzungsgefahr.

Elektrische Sicherheit



Dieses Gerät ist schutzisoliert, daher ist keine Erdleitung erforderlich. Überprüfen Sie immer, ob die Netzspannung der auf dem Typenschild des Gerätes angegebenen Spannung entspricht.

- ◆ Ist das Netzkabel beschädigt, muss es durch den Hersteller oder eine Black & Decker Vertragswerkstatt ausgetauscht werden, um eine mögliche Gefährdung zu vermeiden.

Merkmale

1. Ein-/Aus-Schalter
2. Feststellknopf
3. Fach für Sägeblätter
4. Grundplatte
5. Führungsrolle für Sägeblatt

Montage

Achtung! Vergewissern Sie sich vor Ausführung der folgenden Schritte, dass das Gerät ausgeschaltet und vom Stromnetz getrennt ist, und dass das Sägeblatt zum Stillstand gekommen ist. Nach Verwendung der Stichsäge kann das Sägeblatt heiß sein.

Einstellen der Führungsrolle für das Sägeblatt (Abb. A und B)

- ◆ Lösen Sie die Schraube (9).

- ◆ Schieben Sie die Grundplatte (4) nach vorn, bis die Führungsrolle des Sägeblatts (5) die hintere Kante des Sägeblatts (7) berührt.
- ◆ Ziehen Sie die Schraube (9) fest.

Anbringen und Entfernen des Sägeblatts (Abb. C)

- ◆ Die Führungsrolle für das Sägeblatt (5) muss vor dem Anbringen oder Entfernen des Sägeblatts (7) auf die hintere Position eingestellt werden, damit sie das Sägeblatt nicht berührt.
- ◆ Lösen Sie die zwei Schrauben (6), aber entfernen Sie sie nicht.
- ◆ Halten Sie das Sägeblatt (7) mit den Zähnen nach vorne.
- ◆ Setzen Sie den Schaft des Sägeblatts (7) in den Sägeblatthalter (8) ein, und setzen Sie das Sägeblatt bis zum Anschlag ein.
- ◆ Ziehen Sie die zwei Schrauben (6) abwechselnd wieder leicht an, um das Sägeblatt in Position zu bringen. Ziehen Sie die zwei Schrauben (6) anschließend vollständig fest.
- ◆ Stellen Sie die Führungsrolle (5) für das Sägeblatt wie oben beschrieben ein.
- ◆ Drehen Sie beide Schrauben (6) eine Umdrehung entgegen dem Uhrzeigersinn, um das Sägeblatt (7) zu entfernen.

Aufbewahrung des Sägeblatts (Abb. D)

Die Sägeblätter können im Aufbewahrungsfach (3) auf der Rückseite der Säge aufbewahrt werden.

- ◆ Öffnen Sie die Abdeckung des Aufbewahrungsfachs für Sägeblätter (3).
- ◆ Entnehmen Sie Sägeblätter (7) oder bringen Sie diese zur Aufbewahrung im Fach (3) unter.
- ◆ Schließen Sie die Abdeckung des Aufbewahrungsfachs (3) wieder und achten Sie darauf, dass sie eingerastet ist.

Staubabsaugungssystem (Abb. E)

- ◆ Um jederzeit eine sichtbare Schnittlinie und ein sauberes Arbeitsumfeld während des Sägens zu haben, ist Ihre Stichsäge mit einem Staubabsaugungssystem (10) ausgestattet.

Restrisiken

Für den Gebrauch dieses Geräts verbleiben zusätzliche Restrisiken, die möglicherweise nicht in den Sicherheitswarnungen genannt werden. Diese Risiken bestehen beispielsweise bei Missbrauch oder Langerem Gebrauch.

Auch bei der Einhaltung der entsprechenden Sicherheitsvorschriften und der Verwendung aller Sicherheitsgeräte bestehen weiterhin bestimmte Restrisiken. Diese werden im Folgenden aufgeführt:

- ◆ Verletzungen, die durch das Berühren von sich drehenden/bewegenden Teilen verursacht werden.
- ◆ Verletzungen, die durch das Austauschen von Teilen, Messern oder Zubehör verursacht werden.
- ◆ Verletzungen, die durch längeren Gebrauch eines Geräts verursacht werden. Legen Sie bei Langerem Gebrauch regelmäßige Pausen ein.
- ◆ Beeinträchtigung des Gehörs.
- ◆ Gesundheitsrisiken durch das Einatmen von Staub beim Gebrauch des Geräts (Beispielsweise bei Holzarbeiten, insbesondere Eiche, Buche und Pressspan).

Gebrauch

Schwenken der Grundplatte für Gehrungsschnitte (Abb. F)

Die Grundplatte (4) kann verstellt werden, um gerade Schnitte oder Gehrungsschnitte mit einem Winkel von 45° durchzuführen.

- ◆ Lösen Sie die Schraube (9) um etwa drei volle Umdrehungen.
- ◆ Heben Sie die Grundplatte (4) an und ziehen diese zurück. Drehen Sie sie dann soweit, bis die Aussparung der Grundplatte sich in der 45°-Position befindet.

- ◆ Ziehen Sie die Schraube (9) fest.

So bringen Sie die Grundplatte (4) wieder in die Position für gerade Schnitte:

- ◆ Lösen Sie die Schraube (9).
- ◆ Drehen Sie die Grundplatte (4), bis die Aussparung sich in der 0°-Position befindet. Schieben Sie die Grundplatte dann nach vorne.
- ◆ Achten Sie darauf, dass die Führungsrolle (5) für das Sägeblatt korrekt eingestellt ist.
- ◆ Ziehen Sie die Schraube (9) fest.

Ein- und Ausschalten

- ◆ Drücken Sie zum Einschalten des Gerätes den Ein-/Ausschalter (1).
- ◆ Lassen Sie zum Ausschalten des Gerätes den Ein-/Ausschalter (1) los.
- ◆ Drücken Sie für das Arbeiten im Dauerbetrieb den Feststellknopf (2) und lassen den Ein-/Ausschalter (1) los.

- ◆ Drücken Sie zum Ausschalten des Gerätes im Dauerbetrieb den Ein-/Ausschalter (1), und lassen Sie ihn dann los.

Sägen

Halten Sie beim Sägen das Gerät mit beiden Händen fest. Die Grundplatte sollte fest gegen das Werkstück gepresst werden. So verhindern Sie ein Springen der Säge. Außerdem reduzieren Sie die Vibrationen, und Sie minimieren das Risiko eines Brechens des Sägeblatts.

- ◆ Lassen Sie das Sägeblatt einige Sekunden frei schwingen, bevor Sie mit der Arbeit beginnen.
- ◆ Üben Sie beim Schneiden nicht zuviel Druck auf das Gerät aus.

Hinweise für optimale Funktion

Sägen von Laminat

Beim Sägen von Laminat können die Sägespäne auf dessen Oberfläche Kratzer hinterlassen.

Der Schnittvorgang der meisten Sägeblätter geschieht bei der Aufwärtsbewegung. Verwenden Sie deshalb, wenn sich die Grundplatte auf der Oberseite des Werkstücks befindet, ein Sägeblatt, dessen Schnittvorgang bei der Abwärtsbewegung stattfindet, oder:

- ◆ Verwenden Sie ein Sägeblatt mit feiner Zahnung.
- ◆ Drehen Sie das Werkstück um, und setzen Sie die Säge an der Unterseite an.
- ◆ Ausgefranste Kanten und Absplitterungen können Sie auch vermeiden, indem Sie das zu sägende Werkstück zwischen zwei Holz- oder Pressspanplatten einspannen und dieses „Sandwich“ sägen.

Sägen von Metall

- ◆ Beim Sägen von Metall erfolgt der Vorschub wesentlich langsamer als bei Werkstücken aus Holz.
- ◆ Verwenden Sie ein Sägeblatt, das zum Sägen von Metall geeignet ist.
- ◆ Spannen Sie dünne Metallbleche zum Sägen auf eine Holz- oder Pressspanplatte.
- ◆ Bringen Sie einen dünnen Ölfilm entlang der beabsichtigten Schnittlinie auf.

Wartung

Ihr Black & Decker Gerät wurde im Hinblick auf eine lange Lebensdauer und einen möglichst geringen Wartungsaufwand entwickelt. Ein dauerhafter, einwandfreier Betrieb setzt eine regelmäßige Pflege und Reinigung voraus.

Achtung! Vergewissern Sie sich vor Ausführung von Wartungs- oder Säuberungsarbeiten, dass das Gerät ausgeschaltet und vom Stromnetz getrennt ist und dass das Sägeblatt zum Stillstand gekommen ist.

- ◆ Reinigen Sie regelmäßig die Lüftungsschlitze des Geräts und des Ladegeräts mit einer weichen Bürste oder einem trockenen Tuch.
- ◆ Reinigen Sie regelmäßig das Motorgehäuse mit Hilfe eines feuchten Tuchs. Verwenden Sie keine scheuernden Reinigungsmittel oder Reinigungsmittel auf Lösungsmittelbasis.

Umweltschutz



Getrennte Entsorgung. Dieses Produkt darf keinesfalls mit dem Hausmüll entsorgt werden.

Sollten Sie Ihr Black & Decker Produkt eines Tages ersetzen oder nicht mehr benötigen, entsorgen Sie es nicht mit dem Hausmüll, sondern führen Sie das Produkt einer getrennten Sammlung zu.



Durch die separate Sammlung von ausgedienten Produkten und Verpackungsmaterialien können Rohstoffe recycelt und wieder verwendet werden. Die Wiederverwendung aufbereiteter Materialien trägt zur Vermeidung der Umweltverschmutzung bei und senkt den Rohstoffbedarf.

Die Verordnung zur Abfallentsorgung Ihrer Gemeinde sieht möglicherweise vor, dass Elektrogeräte getrennt vom Hausmüll gesammelt, an der örtlichen Abfallentsorgungseinrichtung abgegeben oder beim Kauf eines neuen Produkts vom Fachhandel zur Entsorgung angenommen werden müssen.

Black & Decker nimmt Ihre ausgedienten Black & Decker-Geräte gern zurück und sorgt für eine umweltfreundliche Entsorgung bzw. Wiederverwertung. Um diese Dienstleistung in Anspruch zu nehmen, geben Sie das Gerät bitte bei einer autorisierten Reparaturwerkstatt ab, die für uns die Einsammlung übernimmt.

Die Adresse der zuständigen Niederlassung von Black & Decker steht in dieser Anleitung. Diese teilt Ihnen gerne die nächstgelegene Vertragswerkstatt mit. Außerdem ist eine Liste der Vertragswerkstätten und aller Kundendienststellen von Black & Decker sowie der zuständigen

Ansprechpartner im Internet zu finden unter:
www.2helpU.com.

Technische Daten

		AST7XC	KS495	KS500
		TYPE2	TYPE1	TYPE1
Spannung	V_{AC}	230	230	230
Leistungsaufnahme	W	380	380	400
Leerlaufdrehzahl	min^{-1}	3000	3000	3000
Maximale Schnitttiefe				
Holz	mm	60	60	60
Stahl	mm	5	5	5
Aluminium	mm	10	10	10
Gewicht	kg	1,5	1,5	1,5

Schalldruckpegel gemäß EN 60745:

Schalldruck (L_{pA}) 87 dB(A), Unsicherheitsfaktor
(K) 3 dB(A), Schalleistung (L_{WA}) 98 dB(A),
Unsicherheitsfaktor (K) 3 dB(A)

Gesamtvibration (Triax-Vektorsumme) gemäß
EN 60745:

Holzschneiden ($a_{n,CW}$) 11,5 m/s^2 ,
Unsicherheitsfaktor (K) 1,5 m/s^2 , Schneiden von
Metallblech ($a_{n,CM}$) 12,8 m/s^2 , Unsicherheitsfaktor
(K) 1,5 m/s^2

EU-Konformitätserklärung RICHTLINIE FÜR MASCHINEN



AST7XC, KS495, KS500

Black & Decker erklärt, dass die unter „Technische Daten“ beschriebenen Produkte den folgenden Normen entsprechen: 2006/42/EC, EN60745-1, EN60745-2-11

Weitere Informationen erhalten Sie von Black & Decker unter der folgenden Adresse bzw. mithilfe der Angaben auf der Rückseite dieser Anleitung.

Der Unterzeichnende ist verantwortlich für die Zusammenstellung der technischen Daten und gibt diese Erklärung im Namen von Black & Decker ab.

Kevin Hewitt
Vice-President
Global Engineering
Black & Decker Europe,
210 Bath Road, Slough,
Berkshire, SL1 3YD
Großbritannien
12.04.2010

Garantie

Black & Decker vertraut auf die Qualität der eigenen Geräte und bietet dem Käufer eine außergewöhnliche Garantie. Diese Garantiezusage versteht sich unbeschadet der gesetzlichen Gewährleistungsansprüche und schränkt diese keinesfalls ein. Sie gilt in sämtlichen Mitgliedsstaaten der Europäischen Union und der Europäischen Freihandelszone EFTA.

Tritt innerhalb von 24 Monaten ab Kaufdatum an einem Gerät von Black & Decker ein auf Material- oder Verarbeitungsfehler zurückzuführender Mangel auf, garantiert Black & Decker den Austausch defekter Teile, die Reparatur von Geräten mit üblichem Verschleiß bzw. den Austausch eines mangelhaften Gerätes, ohne dass dem Kunden dabei mehr als unvermeidlich Unannehmlichkeiten entstehen, allerdings vorbehaltlich folgender Ausnahmen:

- ◆ wenn das Gerät gewerblich, beruflich oder im Verleihgeschäft benutzt wurde;
- ◆ wenn das Gerät missbräuchlich verwendet oder mit mangelnder Sorgfalt behandelt wurde;
- ◆ wenn das Gerät durch irgendwelche Fremdeinwirkung beschädigt wurde;
- ◆ wenn ein unbefugter Reparaturversuch durch anderes Personal als das einer Vertragswerkstatt oder des Black & Decker-Kundendienstes unternommen wurde.

Zur Inanspruchnahme dieser Garantie ist dem Verkäufer bzw. der Vertragswerkstatt ein Kaufnachweis vorzulegen. Die Adresse der zuständigen Niederlassung von Black & Decker steht in dieser Anleitung. Diese teilt Ihnen gerne die nächstgelegene Vertragswerkstatt mit. Außerdem ist eine Liste der Vertragswerkstätten und aller Kundendienststellen von Black & Decker sowie der zuständigen Ansprechpartner im Internet zu finden unter: **www.2helpU.com**

Bitte besuchen Sie unsere Webseite **www.blackanddecker.de**, um Ihr neues Black & Decker-Produkt zu registrieren und über neue Produkte und Sonderangebote informiert zu werden. Weitere Informationen über die Marke Black & Decker und unsere Produkte finden Sie unter **www.blackanddecker.de**.

Utilisation

Votre scie sauteuse Black & Decker a été spécialement conçue pour scier du bois, du métal et du plastique. Son utilisation doit rester exclusivement domestique.

Consignes de sécurité

Consignes de sécurité concernant les outils électroportatifs



Attention ! Lisez avec attention tous les avertissements et toutes les instructions. Le nonrespect de cette consigne peut entraîner une électrocution, un incendie et/ou de graves blessures.

Conservez tous les avertissements et instructions pour référence ultérieure. La notion d'« outil électroportatif » mentionnée par la suite se rapporte à des outils électriques raccordés au secteur (avec câble de raccordement) ou fonctionnant avec batterie (sans fil).

1. Sécurité de la zone de travail

- Maintenez la zone de travail propre et bien éclairée.** Un lieu de travail en désordre ou mal éclairé augmente le risque d'accidents.
- N'utilisez pas les outils électroportatifs dans un environnement présentant des risques d'explosion, ni en présence de liquides, gaz ou poussières inflammables.** Les outils électroportatifs génèrent des étincelles risquant d'enflammer les poussières ou les vapeurs.
- Tenez les enfants et autres personnes éloignés durant l'utilisation de l'outil électroportatif.** En cas d'inattention, vous risquez de perdre le contrôle sur l'appareil.

2. Sécurité électrique

- La prise de l'outil électroportatif doit convenir à la prise de courant. Ne modifiez en aucun cas la prise. N'utilisez pas de prises d'adaptateur avec des appareils ayant une prise de terre.** Le respect de ces consignes réduit le risque de choc électrique.
- Évitez le contact physique avec des surfaces mises à la terre telles que tuyaux, radiateurs, fours et réfrigérateurs.** Il y a un risque élevé de choc électrique si votre corps est relié à la terre.
- N'exposez pas l'outil électroportatif à la pluie ni à l'humidité.** La pénétration d'eau dans un outil électroportatif augmente le risque de choc électrique.

- Préservez le câble d'alimentation. N'utilisez pas le câble pour porter l'outil, pour l'accrocher ou encore pour le débrancher. Maintenez le câble éloigné des sources de chaleurs, des parties huilées, des bords tranchants ou des parties de l'appareil en rotation.** Le risque de choc électrique augmente si les câbles sont endommagés ou emmêlés.
- Si vous utilisez l'outil électroportatif à l'extérieur, utilisez une rallonge homologuée pour utilisation à l'air libre.** L'utilisation d'une rallonge électrique homologuée pour les travaux à l'extérieur réduit le risque de choc électrique.
- Si l'outil doit être utilisé dans un endroit humide, prenez les précautions nécessaires en utilisant un dispositif à courant résiduel (RCD).** L'utilisation d'un tel dispositif réduit les risques d'électrocution.

3. Sécurité personnelle

- Restez vigilant, surveillez ce que vous faites. Faites preuve de bon sens quand vous utilisez un outil électroportatif. Si vous êtes fatigué, si vous avez un traitement médical, si vous avez consommé de l'alcool ou pris des médicaments, n'utilisez pas cet outil.** Un moment d'inattention peut entraîner de graves blessures.
- Portez un équipement de protection. Portez toujours des lunettes de protection.** Selon le travail à effectuer, le port d'équipement de protection tels que masque anti-poussières, chaussures de sécurité antidérapantes, casque ou protection auditive, réduit le risque de blessures.
- Évitez un démarrage imprévu. L'appareil doit être en position OFF (arrêt) avant d'effectuer le branchement à l'alimentation et/ou au bloc-batterie, de le ramasser ou de le porter.** Ne laissez pas votre doigt sur le bouton de commande, ceci peut être à l'origine d'accident.
- Retirez tout outil ou clé de réglage avant de mettre l'outil en marche.** Une clé ou un outil se trouvant sur une partie en mouvement peut causer des blessures.
- Installez-vous confortablement. Adoptez une position stable et gardez en permanence votre équilibre.** Vous contrôlerez mieux l'outil dans des situations inattendues.

- f. **Portez des vêtements appropriés. Ne pas porter de vêtements larges ou de bijoux. N'approchez pas les cheveux, vêtements ou gants des parties de l'appareil en mouvement.** Les vêtements amples, les bijoux ou les cheveux longs peuvent être attrapés dans les pièces en mouvement.
- g. **En cas d'utilisation d'appareils servant à aspirer ou à recueillir les poussières, assurez-vous qu'ils sont correctement raccordés et utilisés.** L'utilisation de tels appareils réduit les dangers dus aux poussières.
4. **Utilisation des outils électroportatifs et précautions**
- a. **Respectez la capacité de l'outil. Utilisez l'outil électroportatif approprié pour le travail à effectuer.** Avec un outil approprié, vous travaillerez mieux et en toute sécurité.
- b. **N'utilisez pas un outil électroportatif dont le bouton est défectueux.** Un outil électroportatif qui ne peut plus être mis en ou hors fonction avec le bouton marche/arrêt est dangereux et doit être réparé.
- c. **Retirez la prise de courant et/ou débranchez le blocbatterie avant d'effectuer des réglages, de changer les accessoires ou de ranger l'outil.** Cette mesure de précaution empêche de mettre l'outil en marche accidentellement.
- d. **Rangez les outils électroportatifs hors de portée des enfants. Les personnes ne connaissant pas l'outil ou n'ayant pas lu ces instructions ne doivent absolument pas l'utiliser.** Les outils électroportatifs sont dangereux lorsqu'ils sont utilisés par des personnes non initiées.
- e. **Prenez soin des outils électroportatifs. Vérifiez que les parties en mouvement fonctionnent correctement et qu'elles ne sont pas coincées. Vérifiez qu'il n'y a pas de pièces cassées ou endommagées susceptibles de nuire au bon fonctionnement de l'outil. S'il est endommagé, faites réparer l'outil avant de l'utiliser.** De nombreux accidents sont le résultat d'un mauvais entretien.
- f. **Maintenez les outils aiguisés et propres.** Des outils soigneusement entretenus avec des bords tranchants bien aiguisés se coincent moins souvent et peuvent être guidés plus facilement.
- g. **Utilisez les outils électroportatifs, les accessoires, etc. en suivant ces instructions et en tenant compte des conditions de travail, ainsi que du travail à effectuer.** L'utilisation des outils électroportatifs à d'autres fins que celles prévues peut entraîner des situations dangereuses.
5. **Réparations**
- a. **Faites réparer votre outil électroportatif uniquement par du personnel qualifié et seulement avec des pièces de rechange appropriées.** La fiabilité de l'outil sera ainsi maintenue.

Consignes de sécurité supplémentaires concernant les outils électroportatifs



Attention ! Consignes de sécurité supplémentaires pour scies sauteuses.

- ◆ **Pour les découpes, tenez l'outil au niveau des surfaces de prise isolées. En effet, la lame risque de toucher un câblage caché ou le cordon d'alimentation de l'outil.** En touchant un fil sous tension, la charge électrique est transmise dans les parties métalliques de l'outil et il y a risque de choc électrique.
- ◆ **Utilisez des pinces ou autres pour fixer et soutenir la pièce de manière stable.** Si vous la tenez à la main ou contre votre corps, elle ne sera pas stable et vous risquez d'en perdre le contrôle.
- ◆ **Éloignez vos mains des zones de découpe.** Ne cherchez jamais à atteindre le matériel par dessous. Ne passez pas vos doigts ou pouces à proximité de la fixation de la lame et de la lame en mouvement. Ne cherchez pas à stabiliser la scie en attrapant la semelle.
- ◆ **Maintenez les lames aiguisées.** Les lames émoussées ou endommagées peuvent faire dériver ou bloquer la scie pendant le fonctionnement. Utilisez toujours le type de lame correspondant au matériau de la pièce à couper.
- ◆ **Avant de couper un tuyau ou une conduite, assurez-vous qu'il n'y a ni eau, ni fil électrique, etc. autour.**
- ◆ **Ne touchez pas la pièce coupée ou la lame immédiatement après avoir utilisé l'outil.** Elles peuvent être très chaudes.
- ◆ **Prenez garde aux dangers cachés. Avant de couper des murs, des planchers ou**

des plafonds, vérifiez l'emplacement des câblages et tuyaux.

- ◆ **Le va-et-vient de la lame continue après avoir relâché le bouton.** Après avoir arrêté la scie, attendez que la lame se stabilise complètement avant de poser l'outil.

Attention! Tout contact ou inhalation de poussières pendant la coupe peut représenter un danger pour la santé de l'opérateur ainsi, qu'éventuellement, des personnes autour. Portez un masque contre la poussière spécialement conçu pour vous protéger des sciures et des fumées toxiques et veillez à ce que les personnes se trouvant à l'intérieur de la zone de travail ou y pénétrant soient également protégées.

- ◆ Ce manuel d'instructions décrit comment utiliser cet appareil. L'utilisation d'un accessoire ou d'une fixation, ou bien l'utilisation de cet appareil à d'autres fins que celles recommandées dans ce manuel d'instructions peut entraîner des blessures et/ou des dommages matériels.

Sécurité pour autrui

- ◆ Cet outil ne peut être utilisé par des personnes (y compris des enfants) ayant des capacités mentales, sensorielles ou physiques réduites, ou celles manquant d'expérience et de connaissances, à moins qu'elles ne soient encadrées ou qu'elles n'aient été formées à l'utilisation de l'outil par une personne responsable de leur sécurité.
- ◆ Ne laissez jamais les enfants sans surveillance pour éviter qu'ils ne jouent avec cet appareil.

Vibration

La valeur d'émission de vibration déclarée dans la section Déclaration/Données techniques de conformité a été mesurée selon une méthode d'essai standard fournie par la norme EN60745 et peut être utilisée pour comparer un outil à un autre. Elle peut aussi être utilisée pour une évaluation préliminaire à l'exposition.

Attention ! Selon la manière dont l'outil est utilisé, la valeur d'émission de vibration pendant l'utilisation en cours de l'outil peut être différente de la valeur déclarée. Le niveau de vibration peut augmenter au-dessus du niveau établi.

Quand l'exposition aux vibrations est évaluée afin de déterminer les mesures de sécurité requises par la norme 2002/44/EC pour protéger les personnes utilisant régulièrement des outils

électroportatif, il faut tenir compte une estimation de l'exposition aux vibrations, les conditions actuelles d'utilisation et la manière dont l'outil est utilisé. Il faut aussi tenir compte de toutes les pièces du cycle de fonctionnement comme la durée pendant laquelle l'outil est arrêté et quand il fonctionne au ralenti, ainsi que la durée du déclenchement.

Étiquettes de l'outils



Attention ! Pour réduire le risque de blessures, l'utilisateur doit lire les instructions du manuel.

Sécurité électrique



Cet outil est doublement isolé; par conséquent, aucun câble de masse n'est nécessaire. Vérifiez si l'alimentation mentionnée sur la plaque signalétique de l'appareil correspond bien à la tension présente sur le lieu.

- ◆ Si le câble d'alimentation est endommagé, il doit être remplacé par le fabricant ou par un centre de réparation agréé Black & Decker pour éviter tout risque.

Caractéristiques

1. Bouton marche/arrêt
2. Bouton de verrouillage
3. Boîtier de rangement de lames de scie
4. Semelle
5. Rouleau de support de lame

Assemblage

Attention! Avant d'exécuter ce qui suit, assurez-vous que l'appareil est éteint, débranché et que la lame n'est plus en mouvement. Les lames, après utilisation, peuvent être chaudes.

Ajuster le rouleau de support de lame (figure A et B)

- ◆ Desserrez la vis (9).
- ◆ Poussez la semelle (4) vers l'avant jusqu'à ce que le rouleau de support de lame (5) touche le bord arrière de la lame de scie (7).
- ◆ Serrez la vis (9).

Installer et retirer la lame de scie (figure C)

- ◆ Avant d'installer ou de retirer la lame de scie (7), le rouleau du support de lame (5) doit être ajusté vers l'arrière pour ne pas toucher la lame.
- ◆ Desserrez (sans retirer) les deux vis (6).

- ◆ Maintenez la lame (7) avec les dents orientées vers l'avant.
- ◆ Insérez la tige de la lame (7) dans le support de lame (8) le plus loin possible.
- ◆ Serrez légèrement les deux vis (6) en alternance pour installer la lame, puis serrez complètement les deux vis (6).
- ◆ Ajustez le rouleau du support de lame (5), comme décrit ci-dessus.
- ◆ Pour retirer la lame (7), tournez les deux vis (6) d'un tour dans le sens contraire des aiguilles d'une montre.

Ranger la lame (figure D)

Les lames de scie peuvent être rangées dans le boîtier de rangement (3) à l'arrière de l'outil.

- ◆ Ouvrez le couvercle du boîtier de rangement (3).
- ◆ Retirez ou rangez les lames de scie (7) dans le boîtier de rangement (3).
- ◆ Fermez le couvercle du boîtier de rangement (3) et vérifiez le verrouillage.

Soufflante (figure E)

- ◆ Pour que la visibilité soit toujours parfaite pendant la coupe, votre scie est équipée d'une soufflante (10) qui évacue la poussière de la zone de travail tout en sciant.

Risques résiduels

L'utilisation d'un outil non mentionné dans les consignes de sécurité données peut entraîner des risques résiduels supplémentaires. Ces risques peuvent survenir si l'outil est mal utilisé, si l'utilisation est prolongée, etc.

Malgré l'application des normes de sécurité correspondantes et la présence de dispositifs de sécurité, les risques résiduels suivants ne peuvent être évités. Ceci comprend :

- ◆ Les blessures dues au contact avec une pièce mobile/ en rotation.
- ◆ Les blessures causées en changeant des pièces, lames ou accessoires.
- ◆ Les blessures dues à l'utilisation prolongée d'un outil. Une utilisation prolongée de l'outil nécessite des pauses régulières.
- ◆ Déficience auditive.
- ◆ Risques pour la santé causés par l'inhalation de poussières produites pendant l'utilisation de l'outil (exemple : travail avec du bois, surtout le chêne, le Hère et les panneaux en MDF).

Utilisation

Régler la semelle pour la coupe en biais (figure E)

La semelle (4) peut être réglée pour la coupe droite ou en biais à un angle de 45°.

- ◆ Desserrez la vis (9) (d'environ 3 tours complets). Soulevez légèrement la semelle (4), tirez-la vers l'arrière, puis tournez-la jusqu'à ce que la fente atteigne la position de 45°.
- ◆ Serrez la vis (9).

Pour remettre la semelle (4) en position de coupe droite:

- ◆ Desserrez la vis (9).
- ◆ Tournez la semelle (4) jusqu'à ce que la fente atteigne la position de 0°, puis poussez la semelle vers l'avant.
- ◆ Vérifiez l'ajustement du rouleau du support de lame (5).
- ◆ Serrez la vis (9).

Démarrer et arrêter

- ◆ Pour mettre l'outil en marche, appuyez sur le bouton marche/arrêt (1).
- ◆ Pour arrêter l'outil, relâchez le bouton marche/arrêt (1).
- ◆ Pour une coupe continue, appuyez sur le bouton de verrouillage (2) et relâchez le bouton marche/arrêt (1).
- ◆ Pour arrêter l'outil pendant une coupe continue, appuyez puis relâchez le bouton marche/arrêt (1).

Scier

- Tenez fermement l'outil avec les deux mains pendant la découpe. La semelle doit s'appuyer fermement contre la pièce à découper. Ceci permet d'éviter les sursauts de la scie, de réduire les vibrations et de diminuer la casse des lames.
- ◆ Laissez la lame fonctionner librement pendant quelques secondes avant de commencer la découpe.
 - ◆ N'appliquez qu'une légère pression sur l'outil pendant la découpe.

Conseils pour une utilisation optimale

Coupe de contreplaqué

La découpe du contreplaqué peut provoquer des éclats qui peuvent endommager la surface apparente. La plupart des lames coupent en montant. Si la semelle est posée sur la surface apparente, utilisez une lame qui coupe en descendant ou:

- ◆ Utilisez une lame à dents fines.
- ◆ Sciez à partir de l'arrière de la pièce.
- ◆ Serrez un morceau de bois ou de panneau dur des deux côtés de la pièce pour limiter les éclats et sciez à travers cette épaisseur.

Coupe du métal

- ◆ Scier du métal prend beaucoup plus de temps que de scier du bois.
- ◆ Utilisez une lame adaptée à la coupe de métal.
- ◆ Pour couper une fine épaisseur de métal, serrez une pièce de bois à l'arrière de la pièce à couper et sciez à travers l'épaisseur.
- ◆ Appliquez un filet d'huile le long de la ligne de coupe.

Entretien

Votre appareil Black & Decker a été conçu pour fonctionner pendant longtemps avec un minimum d'entretien. Un fonctionnement satisfaisant dépend d'un nettoyage régulier et d'un entretien approprié.

Attention! Avant d'exécuter un nettoyage ou un entretien, assurez-vous que l'appareil est éteint, débranché et que la lame n'est plus en mouvement.

- ◆ Nettoyez régulièrement les orifices de ventilation de votre outil et chargeur à l'aide d'une brosse souple ou d'un chiffon sec.
- ◆ Nettoyez régulièrement le compartiment du moteur à l'aide d'un chiffon humide. N'utilisez pas de produit abrasif ou à base de solvant.

Protection de l'environnement



Recyclage. Cet outil ne doit pas être jeté avec les déchets ménagers.

Si votre appareil Black & Decker doit être remplacé ou si vous n'en avez plus l'usage, ne le jetez pas avec les ordures ménagères. Songez à la protection de l'environnement et recyclez-les.



La collecte séparée des produits et des emballages usagés permet de recycler et de réutiliser des matériaux. La réutilisation de matériaux recyclés évite la pollution de l'environnement et réduit la demande de matières premières.

Des réglementations locales peuvent stipuler la collecte séparée des produits électriques et des produits ménagers, dans des déchetteries municipales ou par le revendeur lorsque vous achetez un nouveau produit.

Black & Decker fournit un dispositif permettant de recycler les produits Black & Decker lorsqu'ils ont atteint la fin de leur cycle de vie. Pour pouvoir profiter de ce service, veuillez retourner votre produit à un réparateur agréé qui se chargera de le collecter pour nous.

Pour connaître l'adresse du réparateur agréé le plus proche de chez vous, contactez le bureau Black & Decker à l'adresse indiquée dans ce manuel. Vous pourrez aussi trouver une liste de réparateurs agréés de Black & Decker et de plus amples détails concernant notre service après-vente sur le site Internet : www.2helpU.com.

Caractéristiques techniques

		AST7XC TYPE 2	KS495 TYPE 1	KS500 TYPE 1
Tension	V c.a.	230	230	230
Puissance absorbée	W	380	380	400
Aucune vitesse de charge	min ⁻¹	3000	3000	3000
Profondeur maximum de coupe				
Bois	mm	60	60	60
Acier	mm	5	5	5
Aluminium	mm	10	10	10
Poids	kg	1,5	1,5	1,5

Niveau de pression sonore selon la norme EN 60745 :

Pression sonore (L_{PA}) 87 dB(A), incertitude (K) 3 dB(A), Puissance sonore (L_{WA}) 98 dB(A), incertitude (K) 3 dB(A)

Valeurs totales des vibrations (somme vectorielle triaxiale) selon la norme EN 60745 :

Coupe, bois ($a_{h,CW}$) 11,5 m/s², incertitude (K) 1,5 m/s², Coupe, métal ($a_{h,CM}$) 12,8 m/s², incertitude (K) 1,5 m/s²

Déclaration de conformité CE

DIRECTIVES DE MACHINERIE



AST7XC, KS495, KS500

Black & Decker déclare que les produits décrits sur la fiche technique sont conformes à la norme : 2006/42/EC, EN60745-1, EN60745-2-11

Pour plus de renseignements, veuillez contacter Black & Decker à l'adresse suivante ou reportez-vous au dos du manuel.

Le soussigné est responsable des données de la fiche technique et fait cette déclaration au nom de Black & Decker.

Kevin Hewitt
Vice-President
Global Engineering
Black & Decker Europe,
210 Bath Road, Slough,
Berkshire, SL1 3YD
Royaume-Uni
12-04-2010

recours à la garantie, il est nécessaire de fournir une preuve d'achat au vendeur ou à un réparateur agréé.

Pour connaître l'adresse du réparateur agréé le plus proche de chez vous, contactez le bureau Black & Decker à l'adresse indiquée dans ce manuel. Vous pourrez aussi trouver une liste de réparateurs agréés de Black & Decker et de plus amples détails sur notre service après-vente sur le site Internet à l'adresse suivante:

www.2helpU.com

Visitez notre site Web **www.blackanddecker.fr** pour enregistrer votre nouveau produit Black & Decker et être informé des nouveaux produits et des offres spéciales. Pour plus d'informations concernant la marque Black & Decker et notre gamme de produits, consultez notre site **www.blackanddecker.fr**.

Garantie

Black & Decker vous assure la qualité de ses produits et vous offre une garantie très étendue. Ce certificat de garantie est un document supplémentaire et ne peut en aucun cas se substituer à vos droits légaux. La garantie est valable sur tout le territoire des États Membres de l'Union Européenne et de la Zone de Libre Échange Européenne.

Si un produit Black & Decker s'avère défectueux en raison de matériaux en mauvais état, d'une erreur humaine, ou d'un manque de conformité dans les 24 mois suivant la date d'achat, Black & Decker garantit le remplacement des pièces défectueuses, la réparation des produits usés ou cassés ou remplace ces produits à la convenance du client, sauf dans les circonstances suivantes:

- ◆ Le produit a été utilisé dans un but commercial, professionnel, ou a été loué.
- ◆ Le produit a été mal utilisé ou avec négligence.
- ◆ Le produit a subi des dommages à cause de corps étrangers, de substances ou d'accidents.
- ◆ Des réparations ont été tentées par des techniciens ne faisant pas partie du service technique de Black & Decker. Pour avoir

Použití výrobku

Vaše přímočará pila Black & Decker je určena pro řezání dřeva, plastů a plechů. Tento výrobek je určen pouze pro použití v domácnosti.

Bezpečnostní pokyny

Všeobecné bezpečnostní pokyny pro práci s elektrickým nářadím



Varování! Přečtěte si veškerá bezpečnostní varování a všechny pokyny. Nedodržení uvedených pokynů může způsobit úraz elektrickým proudem, vznik požáru nebo jiné vážné zranění.

Veškerá bezpečnostní varování a pokyny uschovejte pro případné další použití. Označení "elektrické nářadí" ve všech níže uvedených upozorněních odkazuje na vaše nářadí napájené ze sítě (obsahuje napájecí přívodní šňůru) nebo nářadí napájené bateriemi (bez napájecího kabelu).

1. Bezpečnost pracovního prostoru

- a. **Pracovní prostor udržujte v čistotě a dobře osvětlený.** Nepořádek na pracovišti a nedostatek světla může vést ke vzniku nehody.
- b. **S elektrickým nářadím nepracujte ve výbušných prostředích, jako jsou například prostory, ve kterých se vyskytují hořlavé kapaliny, plyny nebo prašné látky.** Elektrické nářadí je zdrojem jiskření, jež může vést ke vznícení hořlavin.
- c. **Při práci s elektrickým nářadím dbejte na to, aby se do jeho blízkosti nedostaly děti a okolo stojící osoby.** Odvrácení pozornosti může vést ke ztrátě kontroly nad nářadím.

2. Elektrická bezpečnost

- a. **Zástrčka napájecího kabelu nářadí musí odpovídat zásuvce. Zástrčku nikdy žádným způsobem neupravujte. U nářadí chráněného zemněním nepoužívejte jakékoliv redukce zástrček.** Neupravované zástrčky a vyhovující spoje snižují nebezpečí úrazu elektrickým proudem.
- b. **Vyvarujte se dotyku s uzemněnými plochami jako je potrubí, radiátory, sporáky a ledničky.** Při uzemnění vašeho těla vzrůstá riziko úrazu elektrickým proudem.
- c. **Nevystavujte elektrické nářadí dešti nebo vlhkému prostředí.** Pokud do nářadí vnikne voda, zvýší se riziko úrazu elektrickým proudem.

- d. **S napájecím kabelem zacházejte opatrně. Nikdy nepoužívejte napájecí kabel k přenášení nářadí, jeho posouvání nebo za něj netahejte při odpojování nářadí od elektrické sítě. Zabraňte kontaktu kabelu s horkými, mastnými a ostrými předměty a pohyblivými částmi nářadí.** Poškozené nebo spletené kabely zvyšují riziko úrazu elektrickým proudem.
 - e. **Pokud s nářadím pracujete ve venkovním prostředí, používejte prodlužovací šňůru určenou do venkovního prostředí.** Použití těchto kabelů snižuje riziko úrazu elektrickým proudem.
 - f. **Při práci s elektrickým nářadím ve vlhkém prostředí musí být použit proudový chránič (RCD) napájecího okruhu.** Použití proudového chrániče RCD snižuje riziko úrazu elektrickým proudem.
- ### 3. Bezpečnost osob
- a. **Zůstaňte stále pozorní, sledujte, co provádíte a při práci s nářadím pracujte s rozvahou. Nepoužívejte elektrické nářadí, jste-li unaveni nebo jste-li pod vlivem drog, alkoholu nebo léků.** Chvilka nepozornosti při práci s nářadím může vést k vážnému úrazu.
 - b. **Používejte prvky osobní ochrany. Vždy používejte prostředky k ochraně zraku.** Ochranné prostředky jako respirátor, neklouzavá pracovní obuv, pokrývka hlavy a chrániče sluchu, používané za příslušných okolností, snižují riziko poranění osob.
 - c. **Zabraňte náhodnému spuštění. Před připojením ke zdroji napětí nebo před vložením akumulátoru, zvednutím nebo přenášením nářadí zkontrolujte, zda je hlavní spínač vypnutý.** Přenášení nářadí s prstem na hlavním vypínači nebo připojení napájecího kabelu k elektrickému rozvodu, pokud je hlavní vypínač nářadí v poloze zapnuto, může způsobit úraz.
 - d. **Před spuštěním nářadí se vždy ujistěte, zda nejsou v jeho blízkosti klíče nebo seřizovací přípravky.** Klíče nebo seřizovací přípravky zapomenuté na pohyblivých částech nářadí mohou vést ke způsobení úrazu.
 - e. **Nepřekázejte sami sobě. Při práci vždy udržujte vhodný a pevný postoj.** To umožňuje lepší ovladatelnost nářadí v neočekávaných situacích.
 - f. **Vhodně se oblékejte. Nenoste volný oděv nebo šperky. Dbejte na to, aby se Vaše**

vlasý, oděv a rukavice dostaly do kontaktu s pohyblivými částmi. Volné šaty, šperky nebo dlouhé vlasý mohou být pohyblivými díly zachyceny.

- g. Pokud jsou zařízení vybavena adaptérem pro připojení odsávacího zařízení a sběrných zásobníků, zajistěte jejich správné připojení a řádnou funkci. Použití těchto zařízení může snížit rizika spojená s prachem.
4. Použití elektrického nářadí a jeho údržba
- a. Nářadí nepřetěžujte. Používejte správný typ nářadí pro vaší práci. Správné elektrické nářadí bude pracovat lépe a bezpečněji, bude-li používáno ve výkonnostním rozsahu, pro který je určeno.
- b. Pokud nelze hlavní spínač nářadí zapnout a vypnout, s nářadím nepracujte. Jakékoli nářadí s nefunkčním hlavním vypínačem je nebezpečné a musí být opraveno.
- c. Před prováděním nastavení, výměnou příslušenství nebo pokud nářadí nepoužíváte, odpojte je od elektrické sítě a/ nebo vyjměte akumulátor. Taková preventivní opatření snižují riziko úrazu elektrickým proudem.
- d. Uložte elektrické nářadí mimo dosah dětí a nedovolte ostatním osobám, které toto nářadí neumí ovládat, aby s tímto elektrickým nářadím pracovaly. Elektrické nářadí je v rukou nequalifikované obsluhy nebezpečné.
- e. Údržba nářadí. Zkontrolujte vychýlení či zaseknutí pohyblivých částí, poškození jednotlivých dílů a jiné okolnosti, jež mohou mít vliv na chod nářadí. Pokud je nářadí poškozeno, nechejte jej opravit. Mnoho nehod je způsobeno nedostatečnou údržbou nářadí.
- f. Řezné nástroje udržujte ostré a čisté. Řádně udržované řezné nástroje s ostrými řeznými břity jsou méně náchylné k zanášení nečistotami a lépe se s nimi manipuluje.
- g. Nářadí, příslušenství a držáky nástrojů používejte podle těchto pokynů a způsobem určeným daným typem nářadí, berte v úvahu provozní podmínky a práci, kterou je nutné vykonat. Použití nářadí k jiným účelům, než k jakým je určeno, může být nebezpečné.

5. Opravy

- a. Vaše nářadí nechejte opravovat pouze osobou s příslušnou kvalifikací při použití

výhradně originálních náhradních dílů. Tím zajistíte bezpečný provoz nářadí.

Doplňkové bezpečnostní pokyny pro práci s elektrickým nářadím



Varování! Doplňkové bezpečnostní pokyny pro práci s přímočarými pilami.

- ♦ Při pracovních operacích, u kterých by mohlo dojít ke kontaktu pracovního příslušenství se skrytými vodiči nebo s vlastním napájecím kabelem, držte elektrické nářadí vždy za izolované rukojeti. Při kontaktu pracovního příslušenství s „živým“ vodičem způsobí neizolované kovové části nářadí obsluze úraz elektrickým proudem.
- ♦ Obrobek si k pevné podložce upněte pomocí svorek či jiným vhodným způsobem. Přichycení obrobku rukou nebo k tělu je nestabilní a může vést ke ztrátě kontroly.
- ♦ Ruce držte mimo oblast řezání. Nikdy z jakéhokoliv důvodu nesahejte pod řezaný materiál. Nezasahujte prsty nebo palcem do blízkosti pilového listu a upínadla pilového listu. Nezpevňujte pilu uchopením za patku.
- ♦ Řezné čepel udržujte ostré. Utopené nebo poškozené čepel mohou způsobit během přítlaku odchylení nebo zaseknutí pily. Vždy používejte vhodný pilový list pro daný typ opracovávaného materiálu a daný typ řezu.
- ♦ Při řezání potrubí nebo elektroinstalačních koryt se ujistěte, zda jimi neprotéká voda či nevede elektrická kabeláž apod.
- ♦ Ihned po skončení řezu se nedotýkejte obrobku ani pilového listu. Mohou být velmi rozpálené.
- ♦ Před prováděním řezů do zdí, podlah a stropů si buďte vědomi skrytých rizik, předem zkontrolujte, kudy je nataženo potrubí a elektrické vedení.
- ♦ Po uvolnění spínače se čepel ještě chvíli pohybuje. Před položením pily vždy vypněte hlavní vypínač a počkejte, až se pilový list zcela zastaví.

Varování! Pobyt v prašném prostředí a vdechnutí prachu při řezání může ohrozit zdraví obsluhy nářadí a okolo stojících osob. Používejte masku proti prachu určenou speciálně na ochranu před toxickým prachem a podobnými zplodinami a zajistěte, aby byly takto chráněny všechny osoby nacházející se nebo vstupující do pracovního prostoru.

- ◆ Použití tohoto nářadí je popsáno v tomto návodu k použití. Použití jakéhokoliv jiného příslušenství nebo přidavných zařízení, nebo provádění jakéhokoliv jiného využití tohoto přístroje, než je popsáno v tomto návodu k použití, může mít za následek riziko poranění osob nebo škody na majetku.

Bezpečnost ostatních osob

- ◆ Toto zařízení není určeno k použití osobami (včetně dětí) se sníženými fyzickými, smyslovými nebo duševními schopnostmi, nebo nedostatkem zkušeností a znalostí, pokud těmto osobám nebyl stanoven dohled, nebo pokud jim nebyly poskytnuty instrukce týkající se použití zařízení osobou zodpovědnou za jejich bezpečnost.
- ◆ Děti by měly být pod dozorem, aby si s přístrojem nehrály.

Vibrace

Deklarovaná úroveň vibrací uvedená v technických údajích a v prohlášení o shodě byla měřena v souladu se standardní zkušební metodou předepsanou normou EN 60745 a může být použita ke srovnání jednotlivých nářadí mezi sebou. Deklarovaná úroveň vibrací může být také použita k předběžnému stanovení doby práce s tímto výrobkem.

Varování! Úroveň vibrací při aktuálním použití elektrického nářadí se může od deklarované úrovně vibrací lišit v závislosti na způsobu použití výrobku. Úroveň vibrací může být oproti uvedené hodnotě vyšší.

Při stanovení vystavení se vibracím k určení bezpečnostních opatření podle normy 2002/44/EC k ochraně osob pravidelně používajících elektrické nářadí v zaměstnání by měl předběžný odhad působení vibrací brát na zřetel aktuální podmínky použití nářadí s přihlédnutím na všechny části pracovního cyklu, jako doby, při které je nářadí vypnuto a kdy běží naprázdno.

Štítky na nářadí



Varování! Ke snížení rizika vzniku úrazu musí být obsluha obeznámena s tímto návodem k obsluze.

Elektrická bezpečnost



Toto nářadí je chráněno dvojitou izolací; z tohoto důvodu není nutná ochrana zeměním. Vždy zkontrolujte, zda síťové napětí odpovídá napětí uvedenému na typovém štítku nářadí.

- ◆ Je-li poškozen napájecí kabel, musí být vyměněn výrobcem nebo v autorizovaném servisu Black & Decker, aby bylo zabráněno možným rizikům.

Popis

1. Hlavní spínač
2. Zajišťovací tlačítko
3. Úložný prostor na pilové listy
4. Patka pily
5. Vodicí kladka pilového listu

Sestavení

Varování! Před provedením následujících operací se ujistěte, zda je nářadí vypnuto a odpojeno od zdroje napětí a zda se pilový list zastavil. Použité pilové listy mohou být horké.

Seřízení vodicího válce pilového listu (obr. A & B)

- ◆ Povolte šroub (9).
- ◆ Tlačte základnu pily (4) dopředu, dokud se podpěrná kladka pilového listu (5) nebude dotýkat zadní hrany pilového listu (7).
- ◆ Přitáhněte šroub (9).

Nasazení a sejmutí pilového listu (obr. C)

- ◆ Před nasazením nebo sejmutím pilového listu (7) musí být vodicí kladka (5) nastavena do zadní polohy tak, aby se pilového listu nedotýkala.
- ◆ Povolte (nevyjímejte) dva šrouby (6).
- ◆ Pilový list (7) uchopte ozubením směrem vpřed
- ◆ Zasuňte upínací stopku pilového listu (7) co nejdále do držáku pilového listu (8).
- ◆ Mírně přitáhněte dva šrouby (6) střídavě směrem k poloze pilového listu a poté dva šrouby (6) plně dotáhněte.
- ◆ Výše uvedeným postupem seřídte vodicí kladku pilového listu (5).
- ◆ Pilový list (7) sejmete tak, že povolíte oba šrouby (6) o jednu otáčku proti směru chodu hodinových ručiček.

Uložení pilového listu (obr. D)

Pilové listy lze uschovat v úložném prostoru (3) v zadní části nářadí.

- ◆ Otevřete kryt úložného prostoru na pilové listy (3).
- ◆ Vyjměte nebo uložte pilové listy (7) v úložném prostoru (3).
- ◆ Uzavřete kryt úložného prostoru na pilové listy (3) a ujistěte se, zda západky zacvakly.

Dmychadlo řezné linie (obr. E)

- ◆ Ke zlepšení viditelnosti při řezání je vaše pila vybavena dmychadlem (10), které ofukováním místa řezu zajistí čistotu pracovní oblasti při provádění řezu.

Zbytková rizika

Je-li nářadí používáno jiným způsobem, než je uvedeno v příložených bezpečnostních varováních, mohou se objevit dodatečná zbytková rizika. Tato rizika mohou vzniknout v důsledku nesprávného použití, dlouhodobého použití atd.

Přestože jsou dodržovány příslušné bezpečnostní předpisy a jsou používána bezpečnostní zařízení, určitá zbytková rizika nemohou být vyloučena. Tato rizika jsou následující:

- ◆ Zranění způsobená kontaktem s jakoukoli rotující nebo pohybující se částí.
- ◆ Zranění způsobená při výměně dílů, pracovního nástroje nebo příslušenství.
- ◆ Zranění způsobená dlouhodobým použitím nářadí. Používáte-li jakékoli nářadí delší dobu, zajistěte, aby byly prováděny pravidelné přestávky.
- ◆ Poškození sluchu.
- ◆ Zdravotní rizika způsobená vdechováním prachu vytvářeného při použití nářadí (příklad: - práce se dřevem, zejména s dubovým, bukovým a MDF).

Použití

Nastavení patky pily pro provádění kosých řezů (obr. F)

Patku pily (4) lze nastavit k provádění rovných řezů, nebo řezů pod úhlem 45°.

- ◆ Povolte šroub (9) (přibližně o 3 plné otáčky).
- ◆ Mírně nadzdvihněte a potáhněte směrem vzad patku pily (4), poté otočte patku pily tak, aby její výřez dosáhl sklonu 45°.
- ◆ Přitáhněte šroub (9).

Srovnání patky pily (4) pro provádění rovných řezů:

- ◆ Povolte šroub (9).
- ◆ Pootočte patku pily (4) tak, aby její výřez dosáhl polohy 0° a poté patku pily zatlačte směrem vpřed.

- ◆ Ujistěte se, zda je vodící kladka pilového listu (5) správně nastavena.
- ◆ Přitáhněte šroub (9).

Zapnutí a vypnutí

- ◆ Chcete-li nářadí zapnout, stiskněte hlavní spínač (1).
- ◆ Chcete-li nářadí vypnout, uvolněte hlavní spínač Zap/vyp (1).
- ◆ Nepřetržitý chod nářadí zajistíte stisknutím zajišťovacího tlačítka (2) a uvolněním stisku hlavního spínače (1).
- ◆ Nářadí v režimu nepřetržitého chodu vypnete opětovným stisknutím hlavního spínače (1) a jeho následným uvolněním.

Řezání

Během řezání držte pilu pevně oběma rukama. Patka pily by měla být pevně přitlačena k řezanému obrobku. Tím se napomůže ochraně před odskočením pily, sníží se vibrace a minimalizuje se možnost zlomení pilového listu.

- ◆ Před započetím řezu nechejte pár vteřin kmitat pilový list naprázdno.
- ◆ Při provádění řezu tlačte na nářadí jen lehce.

Rady k optimálnímu využití

Řezání vrstvených materiálů

Při řezání vrstvených desek mohou vznikat ořepy, které povrch desky znehodnotí. Nejpoužívanější pilové listy provádějí řez při zdvihu směrem vzhůru, proto, pokud je patka pily přitlačena na lícovou stranu desky, použijte pilový list, který řeže směrem dolů, nebo:

- ◆ Používejte pilové listy s jemnými zuby.
- ◆ Provádějte řezání ze zadní strany obrobku.
- ◆ Upněte si z obou stran obrobku kus odpadového dřeva nebo hobry, aby bylo dosaženo minimálních ořepů při řezání a řez provádějte příčně celou touto vrstvou.

Řezání kovu

- ◆ Pamatujte si, že řezání kovu trvá mnohem déle než řezání dřeva.
- ◆ Používejte pilový list vhodný pro řezání kovu.
- ◆ Při řezání tenkých plechů připevněte ke spodní straně obrobku kousek dřeva a provádějte řez přes celou tuto sestavu.
- ◆ Naneste na požadovanou čáru řezu olejový film.

Údržba

Vaše nářadí Black & Decker bylo zkonstruováno tak, aby Vám sloužilo po dlouhou dobu s minimálními nároky na údržbu. Řádná péče o nářadí a jeho pravidelné čištění vám zajistí jeho bezproblémový chod.

Varování! Před provedením následujících operací se ujistěte, zda je nářadí vypnuto a odpojeno od zdroje napětí a zda se pilový list zastavil.

- ♦ Větrací otvory vašeho nářadí pravidelně čistěte měkkým kartáčem nebo suchým hadříkem.
- ♦ Pravidelně čistěte kryt motoru vlhkým hadříkem. Nepoužívejte k čištění abrazivní prostředky ani rozpouštědla.

Ochrana životního prostředí



Tříděný odpad. Tento přístroj nesmí být vyhozen do běžného domácího odpadu.

Až přijde den, kdy váš výrobek Black & Decker již nebudete potřebovat nebo uplyne doba jeho životnosti, nelikvidujte jej spolu s domovním odpadem. Zařízení zlikvidujte podle platných pokynů o třídění a recyklaci odpadů.



Tříděný odpad umožňuje recyklaci a opětovné využití použitých výrobků a obalových materiálů. Opětovné použití recyklovaných materiálů pomáhá chránit životní prostředí před znečištěním a snižuje spotřebu surovin.

Při zakoupení nových výrobků Vám prodejny, místní sběrný odpadů nebo recyklační stanice poskytnou informace o správné likvidaci elektroodpadů z domácnosti.

Společnost Black & Decker poskytuje možnost sběru použitých výrobků nebo jejich recyklaci po ukončení jejich provozní životnosti. V rámci této výhodné služby dodejte Vaše nepotřebné nářadí kterékoliv autorizované servisní pobočce Black & Decker, kde bude na naše náklady shromážděno.

Místo vaší nejbližší autorizované servisní pobočky Black & Decker se dozvíte na příslušné adrese uvedené na zadní straně této příručky. Přehled autorizovaných servisů Black & Decker a rovněž další informace týkající se našeho poprodejního servisu můžete nalézt také na internetové adrese: www.2helpU.com

Technické údaje

		AST7XC TYP 2	KS495 TYP 1	KS500 TYP 1
Napájecí napětí	V_{bc}	230	230	230
Příkon	W	380	380	400
Otáčky naprázdno	min^{-1}	3000	3000	3000
Max. hloubka řezu				
Dřevo	mm	60	60	60
Ocel	mm	5	5	5
Hliník	mm	10	10	10
Hmotnost	kg	1,5	1,5	1,5

Hodnota akustického tlaku měřená dle normy EN60745:

L_{pA} (akustický tlak) 87 dB(A), odchylka (K) 3 dB(A)
 L_{WA} (akustický výkon) 98 dB(A), odchylka (K) 3 dB(A)

Celková úroveň vibrací (prostorový vektorový součet) určená podle normy EN 60745:

Řezání dřeva ($a_{h,cw}$) 11,5 m/s², odchylka (K) 1,5 m/s², Řezání plechu ($a_{h,cm}$) 12,8 m/s², odchylka (K) 1,5 m/s²

ES Prohlášení o shodě v rámci EU SMĚRNICE PRO STROJNÍ ZAŘÍZENÍ



AST7XC, KS495, KS500

Společnost Black & Decker prohlašuje, že tyto produkty popisované v technických údajích splňují požadavky následujících norem: 2006/42/EC, EN60745-1, EN60745-2-11

Chcete-li získat další informace, kontaktujte prosím společnost Black & Decker na následující adrese nebo na adresách, které jsou uvedeny na konci tohoto návodu.

Níže podepsaná osoba je odpovědná za sestavení technických údajů a provádí toto prohlášení v zastoupení společnosti Black & Decker.

Kevin Hewitt
 Viceprezident pro
 spotřebitelskou techniku
 Black & Decker Europe,
 210 Bath Road, Slough,
 Berkshire, SL1 3YD
 United Kingdom
 12-04-2010

Záruka

Společnost Black & Decker důvěřuje kvalitě svého vlastního nářadí a poskytuje kupujícímu mimořádnou záruku. Tato záruka je nadstandardní a v žádném případě nepoškozuje Vaše zákonná práva. Tato záruka platí ve všech členských státech EU a Evropské zóny volného obchodu EFTA.

Objeví-li se na výrobku Black & Decker, v průběhu 24 měsíců od zakoupení, jakékoli materiálové či výrobní vady, garantujeme ve snaze o minimalizování vašich starostí bezplatnou výměnu vadných dílů, opravu nebo výměnu celého výrobku za níže uvedených podmínek:

- ◆ Výrobek nebyl používán pro obchodní nebo profesionální účely a nedocházelo-li k jeho pronájmu.
- ◆ Výrobek nebyl vystaven nesprávnému použití a nebyla zanedbána jeho předepsaná údržba.
- ◆ Výrobek nebyl poškozen cizím zaviněním.
- ◆ Nebyly prováděny opravy výrobku jinými osobami než pracovníky značkového servisu Black & Decker.

Při uplatňování reklamace je nutno prodejci nebo servisnímu středisku předložit doklad o nákupu výrobku. Místo vaší nejbližší autorizované servisní pobočky Black & Decker se dozvíte na příslušné adrese uvedené na zadní straně této příručky. Seznam autorizovaných servisů Black & Decker a podrobnosti o poprodejním servisu naleznete také na internetové adrese: **www.2helpU.com**

Navštivte naši internetovou adresu **www.blackanddecker.co.uk** a zaregistrujte si Váš výrobek Black & Decker. Budete tak mít neustále přehled o nových výrobcích a speciálních nabídkách. Další informace o značce Black & Decker a o našem výrobním programu získáte na internetové adrese **www.blackanddecker.co.uk**

Rendeltetésszerű használat

Szívből gratulálunk új Black & Decker Dekopírfűrészéhez. Ezt a készüléket fa, műanyagok és fémlemezok vágására terveztük. A fűrész iparszerű felhasználásra nem alkalmas.

Biztonságtechnikai előírások

Általános biztonságtechnikai előírások



Figyelem! Figyelmesen olvassa el a kezelési útmutatót a gép üzembe helyezése előtt. Elektromos szerszám használatakor mindig tartsa be az alábbi alapvető biztonsági rendszabályokat, így elkerülheti a tűzveszély, az elektromos áramütés, a személyi sérülések és az anyag károsodásának lehetőségét.

Kérjük, gondosan őrizze meg a kezelési útmutatót, hogy a későbbiekben is bármikor utánanézhessen a géppel kapcsolatos összes információnak. Mielőtt bármilyen beállítást változtat a gépen, vagy karbantartási munkába kezd, mindig csatlakoztassa le a készüléket a hálózati áramforrásról.

1. Munkaterület

- a. **Tartsa rendben és világítsa meg munkahelyét.** A zsúfolt, rendetlen munkaterület növeli a balesetveszélyt. Gondoskodjon a munkaterült megfelelő megvilágításáról.
- b. **Ne használja a készüléket robbanás és tűzveszélyes helyeken, például gyúlékony folyadékok és gázok közelében.** Elektromos kéziszerszámok használatakor szikra keletkezhet, mely begyűjthetja a port vagy gázt.
- c. **Tartsa távol a gyerekeket.** Gondoskodjon arról, hogy gyereket, más személyek vagy állatok ne közelíthessék meg a munkaterületet, ne érinthessék meg a készüléket és a hálózati kábelt, továbbá elvonhatják figyelmét a készülék irányításáról.

2. Elektromos biztonság

- a. **A készülék csatlakozódugójának illeszkednie kell a dugaszoló aljzathoz. Soha ne változtasson a csatlakozódugón. Soha ne használjon semmilyen adaptert földelt készülékekkel.** Az eredeti csatlakozódugó és a megfelelő dugaszoló aljzat használatával jelentősen csökkenthető az elektromos áramütés kockázata.

- b. **Kerülje az érintkezést fémekkel (például csövek, radiátorok, tűzhelyek és hűtőszekrények).** Viseljen gumitalpú cipőt. Extrém munkakörülmények között (pl.: magas páratartalom, fémpor keletkezése esetén) az elektromos biztonság növelhető egy leválasztó transzformátor vagy hibaáram-védelmi kapcsoló előkapcsolásán keresztül.
- c. **Legyen figyelmes a környezeti behatásokra.** Ne hagyja szabadban a gépet, óvja az esőtől. Ne használja nyirkos, nedves környezetben. Soha ne mártsa a készüléket vízbe!
- d. **Bánjon gondosan a kábellel. Soha ne a kábelnél fogva vigye a gépet, és kérjük, ne a kábelnél fogva húzza ki a csatlakozódugót a konnektorból. Tartsa távol a kábelt éles szélektől, védje olajtól és hőtől. Minden használat előtt ellenőrizze a kábel állapotát, és ne indítsa be a gépet, ha a kábel sérült.** Sérült vagy összetekeredett hálózati kábel használata jelentősen növelheti az elektromos áramütés kockázatát.
- e. **A szabadban kizárólag csak az arra jóváhagyott és jelöléssel ellátott hosszabbító kábelt szabad használni.** Használat előtt ellenőrizze a hosszabbító kábelt és cserélje le, ha sérült. Teljesítmény csökkenés nélkül max. 30 m hosszú, kéteres Black & Decker hosszabbító kábelt használhat.
- f. **Ha az elektromos szerszám nedves helyen való használata elkerülhetetlen, alkalmazzon Fi-relével védett áramforrást.** Extrém munkakörülmények között (pl.: magas páratartalom, fémpor keletkezése esetén) az elektromos biztonság növelhető egy leválasztó transzformátor vagy hibaáram-védelmi kapcsoló előkapcsolásán keresztül.

3. Személy védelem

- a. **Figyeljen munkájára. Figyeljen mindig arra, amit tesz. Használja az összes érzékszervét. Ne használja a készüléket, ha fáradt, vagy ha hallucinogén anyag, alkohol vagy gyógyszeres befolyásoltság alatt áll.** Elektromos kéziszerszám használatakor pillanatnyi figyelmetlenség is súlyos baleset előidézője lehet.
- b. **Viseljen védőfelszerelést. Mindig viseljen védőszemüveget.** Használjon arc vagy pormaszkot, ha az elvégzendő munka nagy porral, vagy lepattanó részekkel járhat. Ügyeljen a hallásvédelemre is.

- c. Ne hagyja felügyelet nélkül bekapcsolva a gépet. Győződjön meg róla, hogy az üzemi kapcsoló kikapcsol állapotban van, mielőtt az áramforrásra csatlakoztatja.** Ne szállítsa a feszültség alatt lévő gépet ujjával az üzemi kapcsolón, mivel ez súlyos baleset előidézője lehet.
- d. Ne hagyjon szerelőkulcsot a gépben.** A munka megkezdése előtt mindig ellenőrizze, hogy a szerelőszerszámot (kulcsot) eltávolította-e a készülékből.
- e. Álljon biztonságosan. Kerülje a rendellenes testtartást, és egyensúlyát soha ne veszítse el munkavégzés közben.** Így jobban irányíthatja a készüléket, még váratlan helyzetekben is.
- f. Viseljen megfelelő munkaruházatot. Szabadban viseljen gumikesztyűt és csúszásmentes lábbelit. Ne hordjon ékszert vagy laza ruházatot munkavégzés közben. Tartsa távol hosszú haját, ruházatát és munkakesztyűjét a mozgó részekről.** A laza ruházat, ékszerek vagy hosszú haj beakadhatnak a mozgó részekbe. Hosszú haj esetében használjon sapkát, hogy ne zavarja a munkában.
- g. Ha az adott eszközhöz porelszívó vagy porgyűjtő is tartozik, győződjön meg arról, hogy ezeket megfelelően csatlakoztatta, ill. ezek megfelelően működnek.** Porelszívó berendezés használatával nagymértékben csökkenthetőek a por okozta veszélyek.
- 4. Az elektromos kéziszerszám használata és ápolása**
- a. Mindig a megfelelő szerszámot használja. Ne erőltesse a kéziszerszámot.** A készülék rendeltetésszerű használatáról korábban már említést tettünk. Ne erőltesse túl a kisebb teljesítményű készülékeket, vagy tartozékokat, nagyobb teljesítményt igénylő munkánál. A termékkel jobban és biztonságosabban elvégezheti a munkát, hogy ha a teljesítmény kategóriájának megfelelően használja. **Figyelem!** Az Ön biztonsága érdekében csak olyan tartozékokat, illetve kiegészítő berendezést használjon, melyet a kezelési utasítás ajánl.
- b. Ne használja a gépet, ha a kapcsoló nem működőképes.** Bármely kéziszerszám használata, amely nem irányítható megfelelően az üzemi kapcsolólóval, nagyon veszélyes, ezért azonnal meg kell javíttatni a kapcsolót, ha sérült vagy nem működőképes.
- c. Áramtalanítsa a készüléket és/vagy távolítsa el az akkumulátort a készülékből.** Mindig áramtalanítsa a készüléket, ha nem használja azt; mielőtt változtatna a gép bármely beállításán; tartozékokat vagy feltétet cserél; valamint a termék átvizsgálása előtt.
- d. Ügyeljen a készülék megfelelő tárolására. Ha nem használja a készüléket, tartsa száraz, gyermekek elől gondosan elzárt helyen.** Az elektromos kéziszerszámok használata veszélyes lehet nem képzett felhasználó esetén.
- e. Ellenőrizze a készülék állapotát. Használat előtt mindig ellenőrizze a készüléket és a hálózati kábelt. Vizsgálja meg, hogy a mozgó részek megfelelően működnek, nincsenek akadályoztatva. Ellenőrizze a részegységeket, olajozásukat, esetleg előforduló töréseit, a kézvédő vagy a kapcsoló sérüléseit és minden olyan rendellenességet, ami befolyásolhatja a készülék használatát.** Bizonyosodjon meg róla, hogy a készülék megfelelően működik, és a kategóriájával egyenértékű teljesítményt biztosít. Ne használja a gépet, ha valamelyik alkatrésze sérült. A sérült vagy hibás alkatrészek javítását vagy cseréjét csak a kijelölt szakszervizek végezhetik. Soha ne kísérelje meg a javítást Önállóan, a sérült részeket és védőberendezéseket előírás szerint kell javíttatni vagy cseréltetni.
- f. A vágóéleket tartsa élesen és tisztán a jobb és biztonságosabb munkavégzés érdekében.** Kövesse a karbantartásra és tartozékcserére vonatkozó előírásokat. Tartsa a fogantyúkat és csatlakozásokat szárazon, tisztán és olajtól, zsírtól mentesen.
- g. Rögzítse a munkadarabot. Használjon satut vagy más leszorító eszközt a munkadarab rögzítésére.** Így biztonságossá válik a munkavégzés, és mindkét keze szabadon marad a gép irányítására.
- 5. Javítás**
- a. Ez a kéziszerszám megfelel a vonatkozó biztonsági előírásoknak. Javítást csak szakszerviz végezhet, és csak eredeti gyári alkatrészeket szabad felhasználni.** A szakszerűtlen javítás súlyos baleset előidézője lehet.

Kiegészítő biztonságtechnikai előírások késziszámokhoz



Figyelem! Kiegészítő biztonságtechnikai előírások dekopírfűrészekhez.

- ◆ **Az elektromos szerszámot csak a szigetelt fogási felületeinél tartsa, ha azzal olyan műveletet végez, amelynél a tartozék rejtett kábeleket vagy a készülék saját kábelét vághatnak el.** Ha a vágóél áram alatt lévő vezetékkel érintkezik, akkor az elektromos szerszám fémalkatrészei is elektromossá válnak és megrázzhatják a kezelőt.
- ◆ **Soha ne tartsa a munkadarabot kezeivel, vagy tegye lábaira. Biztosítsa, illetve fogassa le egy stabil felületre.** Fontos, hogy mindig megfelelően támassza meg a munkadarabot, minimalizálva a megközelítést, a fűrészlap megszorulását, vagy a munkavégzés alatt a készülék feletti irányítás elvesztését.
- ◆ **Soha ne tegye egyik kezét sem a munkaterület és a fűrészlap közelébe.** Soha ne nyúljon a munkadarab alá. Soha ne tegye ujjait a fűrészlap és fűrészlap befogó közelébe. Soha ne fogja meg a készülék talpát a stabilizálásához.
- ◆ **Tartsa a fűrészlapot élesen. Soha ne használjon életlen vagy sérült fűrészlapot.** Az életlen vagy helytelenül beállított fűrészlap szűk vágásvonalat eredményez, így a feszültség növekedhet, a fűrészlap megakadhat, és ez visszacsapáshoz vezet. Mindig a vágandó anyagnak és vágástípusnak megfelelő fűrészlapot használjon.
- ◆ **Ha csöveket vagy vezeték csatornákat fűrészsel, mindig ellenőrizze, hogy ne legyen bennük víz, elektromos vezeték, stb.**
- ◆ **Soha ne érintse meg a munkadarabot vagy a fűrészlapot azonnal a vágás befejezése után.** Ezek nagyon forróak lehetnek.
- ◆ **Ügyeljen a rejtett vezetékekre és csövekre. Mielőtt fűrészelési munkálatba kezdene falazatba, padlózatba, vagy tetőzetbe, mindig ellenőrizze a vezetékek és csövek elhelyezkedését.**
- ◆ **A kapcsoló elengedése után a fűrészlap néhány másodpercig még mozgásban van.** Mindig kapcsolja ki a készüléket és várja meg, hogy a fűrészlap teljesen megálljon, mielőtt leteszi a kezéből a fűrész.

Figyelem! A vágási alkalmazásokkor keletkező porral való érintkezés vagy belégzés veszélyt

jelenthet a munkaterületen tartózkodók és a felhasználó egészségére. Viseljen pormaszkot, melyet speciálisan arra terveztek, hogy megvédje a használatát a keletkezett portól és gáztól. Ügyeljen arra, hogy a munkaterületen tartózkodó összes személy is viselje a pormaszkot.

- ◆ A készülék rendeltetésszerű használatát már korábban leírtuk. Ne erőltesse túl a kisebb teljesítményű készülékeket, vagy tartozékokat, nagyobb teljesítményt igénylő munkánál. A termékkel jobban és biztonságosabban elvégezheti a munkát, hogy ha a teljesítmény kategóriájának megfelelően használja. Ne erőltesse a szerszámot. Az Ön biztonsága érdekében csak olyan tartozékot, illetve kiegészítő berendezést használjon, melyet a kezelési utasítás ajánl.

Mások biztonsága

- ◆ A készüléket korlátozott fizikai, érzékszervi vagy mentális képességekkel rendelkező, illetve gyakorlattal és ismeretekkel nem rendelkező személyek (beleértve a gyerekeket is) nem használhatják; kivétel, ha számukra a szerszám használatához a biztonságukért felelős személy felügyeletet és tájékoztatást biztosít.
- ◆ Gyermek esetén különösen kiemelt felügyelet szükséges, hogy ne játszanak a készülékkel.

Vibráció

A megállapított vibráció emisszió érték a standard teszt módszer szerint EN60745 szabvány szerint van mérve, és egy másik készülékkel való összehasonlításra szolgál. A megállapított vibráció emisszió érték, szintén használható a kitettségek előzetes megbecsülésére.

Figyelem! A vibráció emisszió érték a készülék használatakor eltérhet a megállapított értéktől a készülék használatának módjától függően. A vibráció érték az itt megállapított szint fölé emelkedhet.

A keletkező vibrációs mérték meghatározása: a 2002/44/EC szabvány szerint adott a biztonságos érték, azonban azok védelmében, akik rendszeresen használják a készüléket, egy becsült érték figyelembe vétele szükséges, mely számításba veszi a kitettség időintervallumát, a munkaterület karakterisztikáját, a készülék használati módját, beleértve részegységek működési ciklusát, mint pl. a készülék be- és kikapcsolása a kapcsolóra gyakorolt hatása.

Figyelmeztető szimbólumok a készüléken



Figyelem! Sérülésveszély csökkentéséhez, figyelmesen olvassa el a kezelési útmutatót a készülék üzembe helyezése előtt.

Elektromos biztonság



Ez a készülék kettősszigetelésű, ezért a földelés nem szükséges. Mindig ellenőrizze, hogy a hálózati feszültség megfelel-e a gép adattábláján feltüntetettnek!

- ◆ Ha a hálózati kábel sérült, a kockázatok elkerülése érdekében azonnal cseréltesse ki Black & Decker szakszervizben.

Leírás

1. Be/ki üzemi kapcsoló
2. Tartósüzem rögzítőgomb
3. Fűrészlap tároló
4. Fűrésztalp
5. Fűrészlap támasztógörgő

Összeszerelés

Figyelem! Mielőtt elkezdi a gép összeszerelését, győződjön meg arról, hogy a hálózati csatlakozó le van választva az áramforrásról, a készülék ki van kapcsolva és a fűrészlap teljesen megállt. A használt fűrészlapok felmelegedhetnek.

A támasztógörgő beállítása (A és B ábra)

- ◆ Oldja meg a csavart (9).
- ◆ Tolja előre a fűrésztalpat (4), hogy a fűrészlap-támasztó görgő (5) hozzáérjen a fűrészlap hátoldalához (7).
- ◆ Húzza meg a csavart (9).

A fűrészlap befogása és eltávolítása (C ábra)

- ◆ Mielőtt befogja vagy eltávolítja a fűrészlapot (7) a fűrészlap támasztógörgőt (5) hátsó pozícióba kell állítani, azaz ne érintkezzen a fűrészlappal.
- ◆ Oldja meg (ne távolítsa el) a csavarokat (6).
- ◆ Tartsa a fűrészlapot (7) az ábra szerint, fogakkal előre.
- ◆ Helyezze be a fűrészlap (7) szárát a fűrészlap tartóba (8) és tolja be ütközésig.
- ◆ Kissé szorítson a két csavaron (6) váltakozva, a fűrészlap megfelelő pozícióba állításához, majd húzza meg szorosra a csavarokat (6).
- ◆ Állítsa be a támasztógörgőt (5), a fentiekben leírtak szerint.
- ◆ A fűrészlap (7) eltávolításához, forgassa mindkét csavart (6) egy fordulattal az óramutató járásával ellentétes irányba.

Fűrészlap tárolás (D ábra)

A fűrészlapokat a készülék hátulján található tárolóban (3) helyezheti el.

- ◆ Nyissa ki a tároló (3) fedelét.
- ◆ Vegye ki a tároló rekeszből (3) a szükséges fűrészlapot (7), illetve helyezze vissza oda.
- ◆ Zárja be a tároló (3) fedelét, és ellenőrizze, hogy a retesz rázáródott.

Vágásvonal elfűvő (E ábra)

- ◆ A vágásvonal követésének segítésére a készülék fel van szerelve egy vágásvonal elfűvő (10) egységgel, mely a munkaterületet vágás közben pontosan tartja.

Maradványkockázatok

A biztonsági figyelmeztetésekben ismertetett kockázatok mellett más kockázatok is jellemezhetik a szerszám használatát. Ezek a kockázatok a szerszám rendeltetésétől eltérő, illetve huzamos használatából stb. adódhatnak.

A vonatkozó biztonsági előírások alkalmazása és a védőeszközök használata ellenére bizonyos maradványkockázatok nem lehet elkerülni. Ezek például a következők:

- ◆ A forgó/mozgó alkatrészek megérintése által okozott sérülés.
- ◆ Az alkatrészek, vágólapok, tartozékok cseréje által okozott sérülés.
- ◆ A szerszám huzamos használata által okozott egészségkárosodás. Bármely szerszám huzamosabb ideig való használata esetén tartson rendszeres munkaszüneteket.
- ◆ Halláskárosodás.
- ◆ A használat közben famunkáknál keletkező por belégzése miatti egészségkárosodás, különös tekintettel a tölgy, bükk és MDF anyagokra).

A készülék használata

A fűrésztalp beállítása szögűvágáshoz (F ábra)

A fűrésztalp (4) beállítható egyenes vágásra vagy szögűvágásra 45°-ig.

- ◆ Oldja meg a csavart (9) (kb. 3 teljes fordulattal).
- ◆ Emelje meg kissé a fűrésztalpat (4) húzza hátra, majd fordítsa a fűrésztalpat addig, amíg a fűrésztalp hornya eléri a 45°-s pozíciót.
- ◆ Húzza meg a csavart (9).

A fűrésztalp (4) visszaállítása merőleges helyzetbe:

- ◆ Oldja meg a csavart (9).
- ◆ Fordítsa a fűrésztalpat (4) addig, amíg a fűrésztalp hornya eléri a 0°-s pozíciót, majd nyomja a fűrésztalpat (4) előre.

- ◆ Ügyeljen arra, hogy a támasztógörgő (5) megfelelően legyen beállítva.
- ◆ Húzza meg a csavart (9).

A készülék be- és kikapcsolása

- ◆ A készülék beindításához nyomja be a be/ki üzemi kapcsolót (1).
- ◆ A készülék kikapcsolásához engedje el a be/ki üzemi kapcsolót (1).
- ◆ A tartósüzem használatához, nyomja be a tartósüzem rögzítő gombot (2) és engedje el az üzemi kapcsolót (1).
- ◆ A gép leállításához tartósüzemben, nyomja meg még egyszer az üzemi kapcsolót (1) és engedje el.

Fűrészelés

Mindig két kézzel tartsa a készüléket. Tartsa a fűrésztalpat a munkadarabon a teljes munkavégzés folyamán. Ez segít a megugrás megelőzésében, csökkenti a vibrációt és minimalizálja a fűrészlap eltörésének lehetőségét.

- ◆ Hagyja a fűrészt szabadon futni egy pár másodpercig, mielőtt megkezdí a vágási feladatot.
- ◆ Csak finoman nyomja a készüléket vágás közben. Hagyja a saját tempójában dolgozni, ne erőltesse túl.

Javaslatok az optimális munkavégzéshez

Rétegelt lapok fűrészelése

Ahogy a fűrészlap felfelé mozog az anyagban, a felületen a talp közelében hasadás keletkezhet. A legtöbb fűrészlap lefelé löketben vág, így ha a vágást nem tudja elvégezni a felület munkaoldaláról, használjon olyan fűrészlapot, mely lefelé löketben vág, vagy:

- ◆ Használjon finom fogazású fűrészlapot.
- ◆ A munkadarabot a fordított oldaláról fűrészelje.
- ◆ A hasadás minimalizálásához erősítsen a munkadarab mindkét oldalára egy darab puhafát vagy préselt falapot és ezen a „szendvicsen” keresztül fűrészeljen.

Fémek fűrészelése

- ◆ Legyen tudatában annak, hogy a fémek fűrészelése sokkal több időt vesz igénybe, mint a faanyagok fűrészelése.
- ◆ Kizárólag fémvágó fűrészlapot használjon. Vastartalmú fémekhez finom fogazású, míg a nem vastartalmú fémekhez durvább fogazású fűrészlap szükséges.

- ◆ Ha vékony fémlapra fűrészel, erősítsen a munkadarab hátsó oldalára egy darab puhafát vagy préselt falapot és ezen a „szendvicsen” keresztül fűrészelje.
- ◆ Tegyen a kívánt vágásvonalra egy vékony olajcsíkot.

Karbantartás

Az Ön készüléke minimális karbantartás mellett hosszú távú felhasználásra lett tervezve.

A készülék folyamatos megfelelő működése nagymértékben függ az alapos ápolástól és a rendszeres tisztítástól.

Figyelem! Mielőtt bármilyen karbantartási munkálatba kezdene, kapcsolja ki a készüléket és áramtalanítsa, valamint várja meg, hogy a fűrészlap teljesen megálljon.

- ◆ Rendszeresen tisztítsa meg a készülék levegőresein egy puha kefével vagy száraz ronggyal.
- ◆ A készülék tisztításához használjon egy enyhén nedves szappanos kendőt. Ne használjon karcot hagyó tisztítószeret vagy oldószer bázisú anyagot. Akadályozza meg, hogy folyadék kerüljön a készülék belsejébe.
- ◆ Esetenként olajozza meg a fűrészlap támasztógörgő tengelyét.

Környezetvédelem



Elkülönített begyűjtés. Ezt a készüléket el kell különíteni a normál háztartási hulladéktól.

Egy napon, mikor készüléke eléri technikai élettartamának végét, vagy nincs további szüksége rá, gondoljon a környezetvédelemre. A terméket a normál háztartási hulladéktól elkülönítve kell megsemmisíteni.



Az elhasznált termékek és csomagolások elkülönített begyűjtése lehetővé teszi, ezek újrahasznosítását. Újrahasznosított vagy újra feldolgozott anyagok segítségével a környezetszennyezés, illetve a nyersanyagok iránti igény nagymértékben csökkenthető.

A helyi előírások rendelkezhetnek az elektromos készülékek háztartási hulladéktól elkülönített begyűjtéséről, helyhatósági hulladéklerakó helyeken vagy a kereskedők által új termék megvásárlásakor.

Black & Decker termékeire az élettartamuk lejártával visszavételi lehetőséget kínál. Ez a szolgáltatás ingyenes. Ha igénybe veszi ezt a szolgáltatást, kérjük, juttassa el készülékét a legközelebbi Black & Decker szervizbe, melyekről a Magyarországi Képviselőnél érdeklődhet.

A szervizzel kapcsolatosan a következő Internet oldalon is felvilágosítást kaphat:
www.2helpU.com.

Műszaki adatok

		AST7XC	KS495	KS500
		2. TÍPUS	1. TÍPUS	1. TÍPUS
Feszültség	Vac	230	230	230
Felvett teljesítmény	W	380	380	400
Üresjáratú löketség	min ⁻¹	3.000	3.000	3.000
Maximális vágás kapacitás				
Fa	mm	60	60	60
Fém	mm	5	5	5
Alumínium	mm	10	10	10
Súly	kg	1,5	1,5	1,5

A hangnyomásszint az EN60745 szabvány szerint:
 L_{PA} (hangnyomás) 87 dB(A), toleranciafaktor (K) 3 dB(A), L_{WA} (hangerő) 98 dB(A), toleranciafaktor (K) 3 dB(A)

A vibráció értékeinek összege (triax vektor összeg) az EN 60745 szabvány alapján:

Fa fűrészelése ($a_{h,CW}$) 11,5 m/s², bizonytalanság (K) 1,5 m/s², Fémelem fűrészelése ($a_{h,CM}$) 12,8 m/s², toleranciafaktor (K) 1,5 m/s²

CE megfelelési nyilatkozat GÉPEK IRÁNYELV



AST7XC, KS495, KS500

A Black & Decker kinyilvánítja, hogy a „Műszaki adatok” részben ismertetett termékek megfelelnek a következő irányelveknek és szabványoknak: 2006/42/EC, EN60745-1, EN60745-2-11

További információért forduljon a Black & Decker vállalathoz az alábbi címen, vagy a kézikönyv hátoldalán található elérhetőségeken.

Alulírott felelős a technikai adatállomány összeállításáért és a Black & Decker nevében elkészített nyilatkozatért.

Kevin Hewitt
 Aelnök, Global Engineering
 Black & Decker Europe,
 210 Bath Road, Slough,
 Berkshire, SL1 3YD
 Egyesült Királyság
 12-04-2010

Garancia határozat

A Black & Decker elhivatott a termékei minősége iránt, és kiterjesztett garanciát kínál. Ez a garanciahatározat csak kiegészíti és semmi esetre sem befolyásolja hátrányosan az Ön törvényes jogait. A garancia az Európai Unió tagállamai területén, valamint az Európai Szabadkereskedelmi Társulás (EFTA) területén érvényes.

Ha egy Black & Decker termék anyaghiba, a kivitelezés módja vagy a megfelelés hiánya miatt meghibásodik, az eladás dátumától számított 24 hónapig a Black & Decker garanciát vállal a hibás alkatrészek cseréjére, a normál kopásnak kitett termékek javítására, illetve az ilyen termékek kicserélésére, hogy ügyfeleinek a lehető legkisebb kellemetlenséget okozza az alábbi feltételekkel:

- ◆ A terméket nem használták kereskedelmi, ipari alkalmazásokhoz, és nem adták bérbe;
- ◆ A terméket rendeltetésszerűen és körültekintően használták;
- ◆ A termék nem idegen tárgyaktól, szennyeződéstől vagy külső behatástól sérült meg;
- ◆ A termék javítására nem tett kísérletet olyan személy, aki nem tartozik a hivatalos szerviz vagy a Black & Decker szervizszemélyzet tagjai közé.

A garancia érvényesítéséhez az eladónak vagy a hivatalos szerviznek be kell nyújtani a vásárláskor kapott számlát. Ha igénybe veszi ezt a szolgáltatást, kérjük, juttassa el készülékét a legközelebbi Black & Decker szervizbe, melyekről a magyarországi képviselőnél érdeklődhet. A szervizzel kapcsolatosan a következő Internet oldalon is felvilágosítást kaphat: www.2helpU.com.

A következő meghibásodások esetén a garancia kizárt:

- ◆ Elhasználódott, illetve károsodott kések, és a hálózati kábel. Azok az alkatrészek, amelyek a normál használat során elkopnak.
- ◆ Azok a meghibásodások, amelyek a szakszerűtlen kezelésből eredtek.
- ◆ Azok a hibák, amelyek a kezelési útmutató be nem tartásából eredtek.

Kizárólag csak eredeti Black & Decker tartozékok és alkatrészek alkalmazhatók. Ellenkező esetben teljesítménycsökkenés léphet fel, és a gép elveszti a garanciát. Ha garanciális igénye van, feltétlen mellékelje a jótállási jegyet, és a vásárlási okmányokat (számlát).

BLACK & DECKER GARANCIÁLIS FELTÉTELEK

Gratulálunk Önnek ennek az értékes Black & Decker készülék megvásárlásához.

Azon termékeinkre, amelyet fogyasztói használat keretében háztartási, hobby célra vásárolnak **24 hónap jótállást biztosítunk.**

A termék iparszerű használatra nem alkalmas!

A jótállás a fogyasztó törvényből eredő jogait nem érinti.

- 1) **Black & Decker** kötelezettséget vállal arra, hogy a garanciális javításokat a **49/2003. (VII. 30.) GKM és a 151/2003 (IX.22.) sz. Korm.** rend. szerint végzi.
 - a) A fogyasztó jótállási igényét a jótállási jeggyel érvényesítheti, ezért azt őrizze meg.
 - b) Vásárláskor az eladónak a garanciaokmányt fel kell tüntetnie a vásárlás időpontját, a termék típusát vagy termékkódját, a kereskedés nevét, címét pedig a jótállási jegyre rá kell bélyegezni. Ennek alapján szerez jogosultságot a vevő a garancia időn belüli ingyenes garanciális javításra.
 - c) Jótállási javítást csak érvényes jótállási jegy alapján végezhetnek a kijelölt szervizek.
 - d) A jótállási jegyen történt bármilyen javítás, törlés vagy átírás, valótlan adatok bejegyzése, a jótállási jegy érvénytelenségét vonja maga után.
 - e) Elvesztett jótállási jegyet csak a vásárlási számla felmutatásával, térítés ellenében tudunk pótolni!
 - f) A jótállási jegy szabálytalan kiállításra vagy a fogyasztó részére történő eladásának elmaradása nem érinti a jótállási kötelezettségvállalás érvényességét.
- 2) **Nem terjed ki a garancia:**
 - a) Ha a hiba rendeltetésszerű használat, átalakítás, szakszerűtlen kezelés, helytelen tárolás, elemi kár vagy egyéb, vásárlás után keletkezett okból következett be. *(A rendeltetésszerű használat elkerülése céljából a termékhez magyar nyelvű vásárlói tájékoztatót mellékelünk és kérjük, hogy az abban foglaltakat saját érdekében tartsa be!)*
 - b) Az olyan károsodásokra, amelyek a szerszámok iparszerű (professzionális), közületi, valamint kölcsönzési felhasználása miatt keletkeztek.
 - c) Azon alkatrészekre, amelyeknél a meghibásodás garanciaidőn belül a helyes kezelés, karbantartás szerinti rendeltetésszerű üzemeltetés mellett az alkatrészek természetes elhasználódása, kopása következtében állt elő. *(ezek a következők: megmunkáló szerszámok pl. vágószerszám, fűrészléc, fűrészlap, gyalukés stb. továbbá: meghajtószíj, csapágó, szénkefe, csillagkerék kpl.)*
 - d) A készülék túlterhelése miatt jelentkező hibákra, amelyek a hajtómű meghibásodásához, vagy egyéb ebből adódó károkhoz vezetnek.
 - e) A termék nem hivatalos szervizben történt javításából eredő hibákra.
 - f) Az olyan károsodásokra, amelyek nem eredeti Black & Decker kiegészítő készülékek és tartozékok használatából adódnak.

- 3) **A fogyasztó** a kijavítás iránti igényét a forgalmazónál, illetve a jótállási jegyen feltüntetett javítószolgálatnál érvényesítheti.
 - Meghosszabbodik a jótállási idő a kijavítási idő azon részével, amely alatt a fogyasztó a terméket nem tudta rendeltetésszerűen használni.
 - A jótállási és szavatossági jogok érvényesíthetőségének határidején belül a terméknek vagy jelentősebb részének kicserélése (kijavítása) esetén a kicserélt (kijavított) termékre (termékrészre) 12 hónap jótállást biztosítunk. Ezek a következők: motor illetve állórész, forgórész, elektronika.
 - Ha a fogyasztási cikk a vásárlástól (üzembe helyezéstől) számított három munkanapon belül meghibásodik, a fogyasztó kérheti annak kicserélését feltéve, hogy a meghibásodás a rendeltetésszerű használatot akadályozza. A Black & Decker Hungary Kft. a meghibásodás okának feltárása céljából fenntartja a jogot a hibás termék vizsgálatására. Amennyiben a reklamáció alkalmával a meghibásodás garanciális voltáról nem nyilatkozunk, úgy 72 órán belül kell értesítenünk a vásárlót a reklamáció intézésének módjáról.
Ha a csere nem lenne lehetséges, műszakilag hasonló készülék kerül felajánlásra, vagy visszafizethető a vételár.

Amennyiben a hiba keletkezése, ténye, jellege, (pl. rendeltetésszerű használat, stb.) miatt vita merül fel, a Fogyasztó szakvéleményt kérhet a Fogyasztóvédelmi Főfelügyelőségtől. A szakvélemény térítésmentes és nem kötelező érvényű a Forgalmazó számára.

- 4) **Garanciális javítás esetén** a szerviznek a garanciaokmányt az alábbi adatokat kell feltüntetnie:
 - a garanciális igény bejelentésének dátumát,
 - a hiba rövid leírását,
 - a javítás módját és időtartamát,
 - a készülék visszaadásának időpontját,
 - javítás időtartamával meghosszabbított új garanciaidőt.
- 5) **Arra törekszünk, hogy szervizhálózatunkon** keresztül kiváló javítószolgálatot, zökkenőmentes alkatrészellátást, és széles tartozékpalettát biztosítsunk.
- 6) **A fogyasztót a Polgári Törvénykönyvről szóló 1959. évi IV. törvény 306-310. §-ában, valamint a 49/2003. (VII. 30.) GKM** rendeletben meghatározott jogok illetik meg.

Gyártó:

Black & Decker GmbH
D – 65510 Idstein/Ts
Black & Decker str. 40.

Importőr:

Black & Decker Hungary Kft.
1016 Budapest
Galeotti u. 5.

Przeznaczenie

Opisywana wyrzynarka Black & Decker przeznaczona jest do cięcia drewna, tworzyw sztucznych i blach. Narzędzie przeznaczone jest wyłącznie do użytku amatorskiego.

Zasady bezpiecznej pracy

Bezpieczne użytkowanie elektronarzędzi



Uwaga! Przeczytać wszystkie ostrzeżenia i instrukcje. Nie stosowanie się do poniższych instrukcji może być przyczyną porażenia prądem elektrycznym, pożaru i/lub uszkodzenia ciała.

Zachowaj wszystkie instrukcje i informacje dotyczące bezpiecznej pracy, aby móc korzystać z nich w przyszłości. Określenie "elektronarzędzie" występujące we wszystkich poniższych ostrzeżeniach, dotyczy urządzeń zasilanych z sieci (przewodem zasilającym) lub elektronarzędzi zasilanych akumulatorowo (bezprowodowych).

1. Bezpieczeństwo w miejscu pracy

- a. **Utrzymuj miejsce pracy w czystości i dbaj o dobre oświetlenie.** Brak porządku i złe oświetlenie są częstą przyczyną wypadków.
- b. **Nie używaj elektronarzędzi w strefach zagrożonych wybuchem, na przykład w pobliżu palnych cieczy, gazów lub pyłów.** W czasie pracy elektronarzędziami powstają iskry, które mogą spowodować zapłon pyłów lub oparów.
- c. **W czasie pracy elektronarzędziami nie pozwalaj na przebywanie w pobliżu dzieci i innych osób postronnych.** Brak skupienia może spowodować utratę kontroli nad narzędziem.

2. Ochrona przed porażeniem prądem elektrycznym

- a. **Gniazdo musi być dostosowane do wtyczki elektronarzędzia. Nie wolno dokonywać przeróbek wtyczki. Nie wolno używać przejściówek do zasilania uziemionych elektronarzędzi.** Nie przerabiane wtyczki i odpowiednie gniazda zmniejszają ryzyko porażenia prądem elektrycznym.
- b. **Unikaj bezpośredniego kontaktu ciała z uziemionymi i zerowanymi elementami takimi, jak rurociągi, grzejniki, kuchenki i lodówki.** Ryzyko porażenia prądem

elektrycznym wzrasta, jeśli twoje ciało jest zerowane lub uziemione.

- c. **Nie narażaj elektronarzędzi na działanie deszczu lub zwiększonej wilgotności.** Woda wnika do wnętrza elektronarzędzia zwiększa ryzyko porażenia prądem elektrycznym.
 - d. **Nie wolno niszczyć przewodu zasilającego. Nie podnoś, nie ciągnij i nie wyciągaj z gniazda wtyczki, poprzez ciągnięcie za przewód zasilający elektronarzędzie. Chroń przewód zasilający przed kontaktem z gorącymi elementami, olejami, ostrymi krawędziami i ruchomymi częściami.** Uszkodzenie lub zapłatanie przewodu zasilającego zwiększa ryzyko porażenia prądem elektrycznym.
 - e. **W czasie pracy elektronarzędziem poza pomieszczeniami zamkniętymi, należy używać przystosowanych do tego przedłużaczy.** Użycie przewodu zasilającego do stosowania poza pomieszczeniami zamkniętymi zmniejsza ryzyko porażenia prądem elektrycznym.
 - f. **Jeśli zachodzi konieczność używania narzędzia w wilgotnym otoczeniu, należy używać źródła zasilania zabezpieczonego wyłącznikiem różnicowoprądowym.** Używanie wyłączników różnicowoprądowych zmniejsza ryzyko porażenia prądem.
- #### 3. Środki ochrony osobistej
- a. **W czasie pracy elektronarzędziem zachowaj czujność, patrz uważnie i kieruj się zdrowym rozsądkiem. Nie używaj elektronarzędzi, jeżeli jesteś zmęczony, pod wpływem narkotyków, alkoholu czy leków.** Nawet chwila nieuwagi, w czasie pracy elektronarzędziem, może doprowadzić do poważnego uszkodzenia ciała.
 - b. **Używaj środków ochrony osobistej. Zawsze zakładaj okulary ochronne.** Używanie odpowiedniego od warunków wyposażenia ochronnego, takiego jak maska przeciwpyłowa, anty poślizgowe obuwie ochronne, hełm ochronny czy ochrona słuchu, pozwala zmniejszyć ryzyko uszkodzenia ciała.
 - c. **Zapobiegaj przypadkowemu włączeniu. Przed przyłączeniem do sieci zasilającej i/ lub włożeniem baterii oraz przenoszeniem, należy upewnić się, że wyłącznik znajduje się w pozycji "wyłączone".** Trzymanie palca na wyłączniku w czasie przenoszenia

lub podłączania do zasilania jest bardzo niebezpieczne.

- d. **Przed uruchomieniem narzędzia usuń wszelkie klucze i narzędzia do regulacji.** Pozostawienie klucza lub narzędzia do regulacji połączonego z częściami wirującymi elektronarzędzia może spowodować uszkodzenie ciała.
 - e. **Nie wychylaj się. Zadbaj o dobre podparcie nóg i stabilną postawę.** Umożliwia to lepszą kontrolę nad pracą urządzenia w nagłych sytuacjach.
 - f. **Założ odpowiedni strój. Nie zakładaj luźnych ubrań i biżuterii. Nie dopuszczaj do zbliżania się włosów, ubrania i rękawic do ruchomych części.** Luźne ubranie, biżuteria lub długie włosy mogą zostać pochwycone przez ruchome części.
 - g. **Jeśli sprzęt jest przystosowany do przyłączenia urządzeń odprowadzających i zbierających pył, upewnij się, czy są one przyłączone i właściwie użytkowane.** Używanie takich urządzeń może zmniejszyć zagrożenia związane z obecnością pyłów.
4. **Obsługa i konserwacja elektronarzędzi**
 - a. **Nie wolno przeciążać elektronarzędzi. Zawsze używaj elektronarzędzi odpowiednich dla danego zastosowania.** Dzięki odpowiednim elektronarzędziom wykonasz pracę lepiej i w sposób bezpieczny, w tempie, do jakiego narzędzie zostało zaprojektowane.
 - b. **Nie wolno używać elektronarzędzia z zepsutym wyłącznikiem, który nie pozwala na sprawne włączanie i wyłączenie.** Elektronarzędzie, którego pracy nie można kontrolować wyłącznikiem, stanowi zagrożenie i musi zostać naprawione.
 - c. **Przed przystąpieniem do regulacji, wymiany akcesoriów oraz przed schowaniem elektronarzędzia, należy odłączyć wtyczkę od źródła zasilania i/lub odłączyć akumulator od urządzenia.** Takie środki bezpieczeństwa zmniejszają.
 - d. **Nie używane elektronarzędzia przechowuj poza zasięgiem dzieci. Nie zezwalaj osobom niedoświadczonym lub niezaznajomionym z instrukcją obsługi na pracę elektronarzędziem.** Elektronarzędzia obsługiwane przez osoby nieprzygotowane stanowią zagrożenie.
 - e. **Regularnie dokonuj konserwacji elektronarzędzi. Sprawdź, czy ruchome**

- części są właściwie połączone i zamocowane, czy części nie są uszkodzone oraz skontroluj wszelkie inne elementy mogące mieć wpływ na pracę elektronarzędzia. Wszelkie uszkodzenia urządzenia, należy naprawić przed rozpoczęciem pracy.** Wiele wypadków spowodowanych jest przez niedostateczną konserwację elektronarzędzi.
- f. **Dbaj o czystość narzędzi i ostrość elementów tnących.** Właściwie serwisowane narzędzia tnące, z ostrymi krawędziami tnącymi, rzadziej się zacinają i są łatwiejsze w prowadzeniu.
 - g. **Elektronarzędzi, akcesoriów, końcówek itp. należy używać zgodnie z niniejszą instrukcją, uwzględniając warunki i rodzaj wykonywanej pracy.** Użycie elektronarzędzia w sposób niezgodny z przeznaczeniem, stwarza niebezpieczeństwo.

5. Naprawy

- a. **Powierzaj naprawy elektronarzędzi wyłącznie osobom wykwalifikowanym, używającym identycznych części zamiennych.** Zapewni to bezpieczeństwo użytkowania naprawionego urządzenia.

Bezpieczne użytkowanie elektronarzędzi - wskazówki dodatkowe



Uwaga! Dodatkowe wskazówki dotyczące pracy wyrzynarkami.

- ♦ **W przypadku prac, w czasie których może dojść do przecięcia własnego lub ukrytych przewodów, należy trzymać urządzenie wyłącznie za izolowane uchwyty.** Przecięcie przewodu z prądem może spowodować pojawienie się napięcia na metalowych częściach obudowy i porażenie prądem operatora.
- ♦ **Używaj zacisków lub innego wygodnego sposobu unieruchomienia i podparcia obrabianego elementu.** Trzymanie rękami obrabianego elementu lub oparcie o własne ciało nie daje dostatecznej stabilizacji i może spowodować utratę kontroli nad narzędziem.
- ♦ **Nie zbliżaj rąk do miejsca cięcia.** W żadnym wypadku nie sięgaj od spodu pod obrabiany element. Nigdy nie wsuwaj palców lub kciuka w pobliże brzeszczotu i mocowania brzeszczotu. Nie wolno stabilizować wyrzynarki chwytając za stopę.

- ◆ **Dbaj o ostrość brzeszczotów.** Tępe lub uszkodzone brzeszczoty mogą być przyczyną zbaczenia lub zahaczenia piły przy obciążaniu. Zawsze należy używać brzeszczotów przeznaczonych do cięcia danego materiału i odpowiedniego do rodzaju prac.
- ◆ **W przypadku cięcia rur i kanałów należy się upewnić, czy nie ma w nich wody, przewodów elektrycznych itp.**
- ◆ **Nie dotykaj obrabianego elementu ani brzeszczotu bezpośrednio po zakończeniu cięcia.** Elementy te mogą być bardzo gorące.
- ◆ **Uważaj na ukryte niebezpieczne elementy - przed rozpoczęciem cięcia ścian, podłóg czy sufitów, sprawdź rozmieszczenie przewodów i rur.**
- ◆ **Brzeszczot porusza się nawet po zwolnieniu włącznika.** Zanim odłożysz narzędzie, zawsze zaczekaj, aż po wyłączeniu brzeszczot całkiem się zatrzyma.

Uwaga! Bezpośredni kontakt lub wdychanie pyłu powstającego w trakcie cięcia może szkodzić zdrowiu wykonującego pracę i osób znajdujących się w pobliżu. Należy nosić specjalną maskę przeznaczoną do ochrony przed pyłem i oparami oraz upewnić się, że osoby w pomieszczeniu i wchodzące do pomieszczenia są również zabezpieczone.

- ◆ Przeznaczenie urządzenia jest opisane w niniejszej instrukcji obsługi. Używanie jakichkolwiek akcesoriów lub wykonywanie prac sprzecznych z przeznaczeniem opisywanym w instrukcji obsługi, może powodować niebezpieczeństwo uszkodzenia ciała i/lub uszkodzenia mienia.

Bezpieczeństwo osób postronnych

- ◆ Opisywane narzędzie nie może być używane przez osoby (dot. także dzieci), które mają ograniczone możliwości ruchowe, percepcji lub pojmowania lub brakuje im doświadczenia i wiedzy, z wyjątkiem przypadku, gdy pozostają one pod nadzorem osoby odpowiedzialnej za ich bezpieczeństwo lub zostały przez nią przeszkolone w zakresie obsługi urządzenia.
- ◆ Należy pilnować dzieci, aby nie bawiły się urządzeniem.

Drgania

Podawana w tabeli danych technicznych oraz w deklaracji zgodności z normami wartość drgań (wibracji), została zmierzona zgodnie ze standardową procedurą zawartą w normie

EN 60745. Informacja ta może służyć do porównywania tego narzędzia z innymi. Deklarowana wartość emitowanych drgań może również służyć do przewidywania stopnia narażenia użytkownika na wibracje.

Uwaga! Chwilowa siła drgań, występująca w czasie pracy elektronarzędziem, może odbiegać od podawanych wartości, w zależności od sposobu użytkowania urządzenia. Poziom wibracji może przekroczyć podawaną wartość.

Przy określaniu ekspozycji na wibracje, w celu podjęcia środków ochrony osób zawodowo użytkujących elektronarzędzia, zgodnie z normą 2002/44/EC, należy uwzględnić rzeczywiste warunki i rodzaj wykonywanej pracy. Także okresy przestoju i pracy bez obciążenia.

Oznaczenia na narzędziu



Uwaga! Aby zminimalizować ryzyko zranienia, użytkownik musi zapoznać się z instrukcją obsługi.

Ochrona przed porażeniem prądem elektrycznym



Opisywane elektronarzędzie jest podwójnie izolowane; dlatego nie ma konieczności stosowania dodatkowego uziemienia. Zawsze należy upewnić się, czy napięcie sieci zasilającej jest zgodne z napięciem podanym na tabliczce znamionowej.

- ◆ Ze względów bezpieczeństwa, wymiany uszkodzonego przewodu zasilającego powinien dokonywać producent lub Autoryzowany Serwis Black & Decker.

Wyposażenie

1. Wylłącznik
2. Przycisk blokady włącznika
3. Magazynek brzeszczotów
4. Stopa wyrzynarki
5. Rolka prowadząca brzeszczot

Montaż

Uwaga! Przed przystąpieniem do każdej z poniższych czynności upewnij się, czy narzędzie jest wyłączone i wtyczka zasilania jest wyjęta z gniazda oraz ostrze zatrzymało się. W czasie eksploatacji brzeszczot może się rozgrzać.

Regulacja rolki prowadzącej brzeszczot (Rys. A i B)

- ◆ Poluzować śrubę (9).

- ◆ Dociśnij wałek podpory brzeszczotu (4) do przodu aż do zetknięcia rolki (5) się z krawędzią brzeszczotu (7).
- ◆ Dokręcić śrubę (9).

Montaż i demontaż brzeszczotów (Rys. C)

- ◆ Przed zamocowaniem lub demontażem brzeszczotów (7) rolka prowadząca (5) musi być przesunięta do tyłu tak, aby nie dotykała brzeszczotu.
- ◆ Poluzować (nie wyjmować) obie śruby (6).
- ◆ Trzymać brzeszczot (7) skierowany zębami do przodu.
- ◆ Wsunąć trzonek brzeszczotu (7) w uchwyt (8) aż do napotkania oporu.
- ◆ Lekko dokręcić na zmianę obie śruby (6), aby ustalić pozycję brzeszczotu, potem dokręcić obie śruby (6).
- ◆ Ustawić rolkę prowadzącą (5) postępując zgodnie z powyższym opisem.
- ◆ Aby wyjąć brzeszczot (7), należy odkręcić obie śruby (6) o jeden obrót w kierunku przeciwnym do ruchu wskazówek zegara.

Magazynek brzeszczotów (Rys. D)

Brzeszczoty można przechowywać w magazynku (3) znajdującym się z tyłu narzędzia.

- ◆ Otworzyć pokrywę magazynka brzeszczotów (3).
- ◆ Wyjmij lub włóż ostrza (7) do schowka (3).
- ◆ Zamknąć pokrywę magazynka brzeszczotów (3) i upewnić się, że jest dobrze zamknięta.

Wydmuch wiórów z linii cięcia (Rys. E)

- ◆ Aby zapewnić widoczność w czasie cięcia, opisywana wyrzynarka jest wyposażona w wydmuch wiórów z linii cięcia (10), który w czasie pracy oczyszcza miejsce cięcia z pyłu i wiórów.

Pozostałe zagrożenia

W czasie pracy elektronarzędziem mogą powstać zagrożenia, które nie zostały uwzględnione w załączonej instrukcji dotyczącej bezpiecznego użytkowania. Zagrożenia te mogą wynikać z niewłaściwego użytkowania, zbyt intensywnej eksploatacji lub innych przyczyn.

Nawet w przypadku przestrzegania zasad bezpiecznej pracy i stosowania środków ochronnych, nie jest możliwe uniknięcie pewnych zagrożeń. Należą do nich:

- ◆ Zranienia wynikające z dotknięcia wirujących / ruchomych elementów.
- ◆ Zranienia w czasie wymiany części, ostrzy lub akcesoriów.

- ◆ Zranienia związane ze zbyt długotrwałym używaniem narzędzia. Pracując przez dłuższy czas, należy robić regularne przerwy.
- ◆ Ryzyko uszkodzenia słuchu.
- ◆ Zagrożenie dla zdrowia spowodowane wdychaniem pyłu wytwarzanego podczas użytkowania urządzenia (np.: podczas pracy w drewnie, szczególnie dębowym, bukowym oraz MDF).

Eksploatacja

Ustawianie stopy wyrzynarki do cięcia skośnego (Rys. F)

Stopę wyrzynarki (4) można ustawiać zarówno do cięcia prostego, jak i do cięcia skośnego pod kątem 45°.

- ◆ Poluzować śrubę (9) (około 3 pełne obroty).
- ◆ Podnieść lekko stopę wyrzynarki (4) i pociągnąć do tyłu a następnie obrócić stopę tak, aby szczelina w stopie znajdowała się pod kątem 45°.

- ◆ Dokręcić śrubę (9).

Aby z powrotem ustawić stopę wyrzynarki (4) do cięcia prostego:

- ◆ Poluzować śrubę (9).
- ◆ Obrócić stopę wyrzynarki (4) tak, aby szczelina w stopie znajdowała się pod kątem 0° a następnie przesunąć stopę do przodu.
- ◆ Upewnić się, że rolka prowadząca brzeszczot (5) znajduje się we właściwej pozycji.
- ◆ Dokręcić śrubę (9).

Włączanie i wyłączenie

- ◆ Aby włączyć urządzenie, należy nacisnąć wyłącznik (1).
- ◆ Aby wyłączyć narzędzie, zwolnić wyłącznik (1).
- ◆ Aby włączyć pracę ciągłą, należy nacisnąć przycisk blokady wyłącznika (2) i zwolnić wyłącznik (1).
- ◆ Aby wyłączyć narzędzie ustawione na pracę ciągłą, należy powtórnie nacisnąć i zwolnić wyłącznik (1).

Cięcie

W czasie pracy trzymaj narzędzie mocno obiema rękami. Stopa wyrzynarki powinna mocno opierać się na ciętym elemencie. Pomoże to uniknąć podskakiwania piły, nadmiernych wibracji i złamania brzeszczotu.

- ◆ Przed rozpoczęciem cięcia pozwól piłę popracować chwilę bez obciążenia.
- ◆ W czasie cięcia należy na piłę oddziaływać jedynie niedużą siłą.

Wskazówki praktyczne

Cięcie tworzyw sztucznych

Podczas cięcia laminatów, może zachodzić strzępienie szpecące powierzchnię zewnętrzną. Większość brzeszczotów tną podczas ruchu do góry, dlatego jeśli stopa wyrzynarki ma się opierać o powierzchnię zewnętrzną, lepiej jest użyć brzeszczotów tnących w czasie ruchu w dół, lub:

- ◆ Używaj brzeszczotów z drobnymi ząbkami.
- ◆ Tnij materiał od "lewej" strony.
- ◆ Ścisnąć cięty fragment z obu stron płytami pilśniowymi i ciąć wszystkie warstwy naraz.

Cięcie metalu

- ◆ Pamiętaj, że cięcie metalu zajmuje dużo więcej czasu niż cięcie drewna.
- ◆ Używaj brzeszczotów przeznaczonych do cięcia metalu.
- ◆ W przypadku cięcia cienkich blach przyciśnij kawałek drewna od spodu blachy i tnij wszystkie warstwy na raz.
- ◆ Nałóż cienką warstwę oleju wzdłuż linii cięcia.

Konserwacja

Narzędzia Black & Decker zostały zaprojektowane tak, aby zapewnić długoletnią, prawie bezobsługową, pracę urządzenia. Aby długo cieszyć się właściwą pracą urządzenia, należy odpowiednio z nim postępować i regularnie je czyścić.

Uwaga! Przed przystąpieniem do konserwacji i czyszczenia upewnij się, czy narzędzie jest wyłączone i wtyczka zasilania jest wyjęta z gniazda oraz ostrze zatrzymało się.

- ◆ Otwory wentylacyjne w narzędziu i ładowarce należy okresowo czyścić przy użyciu miękkiej szczoteczki lub suchej szmatki.
- ◆ Okresowo czyścić obudowę wilgotną ściereczką. Nie wolno używać preparatów do szorowania ani na bazie rozpuszczalników.

Ochrona środowiska



Selektywna zbiórka odpadów. Opisywanego produktu nie wolno utylizować razem ze zwykłymi śmieciami z gospodarstw domowych.

Gdy okaże się, że konieczna jest wymiana posiadanego narzędzia Black & Decker lub nie będzie się go więcej używać, nie należy wyrzucać go razem ze śmieciami z gospodarstwa domowego. Należy przekazać produkt do punktu selektywnej zbiórki odpadów.



Selektywna zbiórka zużytych produktów i opakowań pozwala na recykling materiałów i ich powtórne wykorzystanie. Powtórne użycie materiałów pomaga chronić środowisko naturalne przed zanieczyszczeniem i zmniejsza zapotrzebowanie na surowce.

Lokalne prawodawstwo może zapewniać możliwość selektywnej zbiórki zużytych sprzętów elektrycznych, poprzez pozostawienie ich w punktach na miejskich wysypiskach śmieci lub u sprzedawcy, przy zakupie nowego sprzętu.

Black & Decker zapewnia możliwość zbiórki i recyklingu swoich produktów po zakończeniu okresu eksploatacji. Aby skorzystać z tej możliwości, prosimy zwrócić urządzenie do jednego z Autoryzowanych Przedstawicieli Serwisowych.

Adres najbliższego Autoryzowanego Przedstawiciela Serwisowego otrzymają Państwo u lokalnego przedstawiciela Black & Decker, którego adres umieszczony jest w niniejszej instrukcji obsługi. Lista Autoryzowanych Przedstawicieli Serwisowych oraz szczegółów dotyczące naszego serwisu posprzedażnego i dane kontaktowe dostępne są na stronie internetowej: www.2helpU.com.

Dane techniczne

		AST7XC	KS495	KS500
		TYP 2	TYP 1	TYP 1
Napięcie	V_{bc}	230	230	230
Moc elektryczna	W	380	380	400
Prędkość bez obciążenia	min^{-1}	3000	3000	3000
Maksymalna głębokość cięcia				
Drewno	mm	60	60	60
Stal	mm	5	5	5
Aluminium	mm	10	10	10
Waga	kg	1,5	1,5	1,5

Poziom ciśnienia akustycznego zgodnie z EN 60745:

L_{pA} (ciśnienie akustyczne) 87 dB(A), niepewność (K) 3 dB(A), L_{WA} (moc akustyczna) 98 dB(A), niepewność (K) 3 dB(A)

Sumaryczna wielkość drgań (suma wektorów trzech osi) zgodnie z normą EN 60745:

Cięcie drewna ($a_{h,CW}$) 11,5 m/s^2 , niepewność (K) 1,5 m/s^2 , Cięcie blachy metalowej ($a_{h,CM}$) 12,8 m/s^2 , niepewność (K) 1,5 m/s^2

Deklaracja zgodności UE
DYREKTYWA MASZYNOWA



AST7XC, KS495, KS500

Firma Black & Decker oświadcza, że opisywane produkty nr kat.KD855/KD860/KD865 spełniają wymagania norm: 2006/42/EC, EN60745-1, EN60745-2-11

Aby otrzymać więcej informacji, należy skontaktować się z firmą Black & Decker pod adresem podanym poniżej lub na końcu instrukcji.

Osoba niżej podpisana jest odpowiedzialna za zestawienie informacji technicznych w imieniu firmy Black & Decker.

Kevin Hewitt
Vice-President
Global Engineering
Black & Decker Europe,
210 Bath Road, Slough,
Berkshire, SL1 3YD
Wielka Brytania
12-04-2010

Black & Decker

Warunki gwarancji:

Gwarantujemy sprawne działanie produktu, zgodnie z warunkami techniczno-eksploatacyjnymi opisanymi w instrukcji obsługi. Niniejszą gwarancją nie jest objęte wyposażenie i inne akcesoria, jeżeli nie została do nich dołączona oddzielna karta gwarancyjna oraz elementy podlegające naturalnemu zużyciu.

1. Niniejszą gwarancją objęte są usterki produktu spowodowane wadami produkcyjnymi i wadami materiałowymi.
2. Niniejsza gwarancja jest ważna po przedstawieniu przez Klienta w Centralnym Serwisie Gwarancyjnym reklamowanego produktu oraz łącznie:
 - a) poprawnie wypełnionej karty gwarancyjnej;
 - b) ważnego paragonu zakupu z datą sprzedaży taką, jak w karcie gwarancyjnej lub kopii faktury.
3. Gwarancja obejmuje bezpłatną naprawę urządzenia (wraz z bezpłatną wymianą uszkodzonych części) w okresie 24 miesięcy od daty zakupu.
4. Produkt reklamowany musi być:
 - a) dostarczony bezpośrednio do Centralnego Serwisu Gwarancyjnego wraz z poprawnie wypełnioną Kartą Gwarancyjną i ważnym paragonem zakupu (lub kopią faktury) oraz szczegółowym opisem uszkodzenia, lub
 - b) przesłany do Centralnego Serwisu Gwarancyjnego za pośrednictwem punktu sprzedaży wraz z dokumentami wymienionymi powyżej.
5. Koszty wysyłki do Centralnego Serwisu Gwarancyjnego ponosi Black & Decker. Wszelkie koszty związane z zapewnieniem bezpiecznego opakowania, ubezpieczeniem i innym ryzykiem ponosi Klient. W przypadku odrzucenia roszczenia gwarancyjnego, produkt jest odsyłany do miejsca nadania na koszt adresata.
6. Usterki ujawnione w okresie gwarancji będą usunięte przez Centralny Serwis Gwarancyjny w terminie:
 - a) 14 dni roboczych od daty przyjęcia produktu przez Centralny Serwis Gwarancyjny;
 - b) termin usunięcia wady (punkt 6 a) może być wydłużony o czas niezbędny do importu niezbędnych części zamiennych;
7. Klient otrzyma nowy sprzęt, jeżeli:
 - a) Centralny Serwis Gwarancyjny stwierdzi na piśmie, że usunięcie wady jest niemożliwe;
 - b) produkt nie podlega naprawie, tylko wymianie bez dokonywania naprawy.
8. O ile taki sam produkt jest nieosiągalny, może być wydany nowy produkt o niegorszych parametrach.
9. Decyzja Centralnego Serwisu Gwarancyjnego odnośnie zasadności zgłaszanych usterek jest decyzją ostateczną.
10. Gwarancją nie są objęte:
 - a) wadliwe działanie lub uszkodzenia spowodowane niewłaściwym użytkowaniem lub używaniem produktu niezgodnie z przeznaczeniem, instrukcją obsługi lub przepisami bezpieczeństwa. W szczególności profesjonalne użytkowanie amatorskich narzędzi Black & Decker powoduje utratę gwarancji;
 - b) wadliwe działanie lub uszkodzenia spowodowane przeciążaniem narzędzia, które prowadzi do uszkodzeń silnika, przekładni lub innych elementów a także stosowaniem osprzętu innego niż zalecany przez Black & Decker;
 - c) mechaniczne uszkodzenia produktu i wywołane nimi wady;
 - d) wadliwe działanie lub uszkodzenia na skutek działania pożaru, powodzi, czy też innych klęsk żywiołowych, nieprzewidzianych wypadków, korozji, normalnego zużycia w eksploatacji czy też innych czynników zewnętrznych;
 - e) produkty, w których naruszone zostały plomby gwarancyjne lub, które były naprawiane poza Centralnym Serwisem Gwarancyjnym lub były przerabiane w jakikolwiek sposób;
 - f) osprzęt eksploatacyjny dołączony do urządzenia i inne elementy ulegające naturalnemu zużyciu.
11. Centralny Serwis Gwarancyjny, firmy handlowe, które sprzedały produkt, nie udzielają poważeń ani gwarancji innych niż określone w karcie gwarancyjnej. W szczególności nie obejmują prawa klienta do domagania się zwrotu utraconych zysków w związku z uszkodzeniem produktu.
12. Gwarancja nie wyłącza, nie ogranicza ani nie zawiesza uprawnień kupującego wynikających z niezgodności towaru z umową.

Centralny Serwis Gwarancyjny ERPATECH
ul. Obozowa 61, 01-418 Warszawa
tel.: (22) 862-08-08, fax: (22) 862-08-09

Použitie výrobku

Vaša priamočiara píla Black & Decker je určená na rezanie dreva, plastov a plechov. Tento výrobok je určený iba na spotrebiteľské použitie v domácnostiach.

Bezpečnostné pokyny

Všeobecné bezpečnostné pokyny pre prácu s elektrickým náradím



Varovanie! Prečítajte si všetky bezpečnostné varovania a všetky pokyny. Nedodržanie uvedených pokynov môže spôsobiť úraz elektrickým prúdom, vznik požiaru alebo iné vážne poranenie.

Tieto pokyny uložte na bezpečnom mieste pre prípadné ďalšie použitie. Označenie "elektrické náradie" vo všetkých nižšie uvedených upozneniach odkazuje na Vaše náradie napájané zo siete (obsahuje napájací prívodný kábel) alebo náradie napájané batériami (bez kábla).

1. Bezpečnosť v pracovnom priestore

- a. **Pracovný priestor udržujte v čistote a dobre osvetlený.** Neporiadok na pracovisku a nedostatok svetla môže viesť k vzniku nehody.
- b. **S elektrickým náradím nepracujte vo výbušných prostrediach, ako sú napríklad priestory, v ktorých sa vyskytujú horľavé kvapaliny, plyny alebo prašné látky.** Elektrické náradie je zdrojom iskrenia, ktoré môže viesť k vznieteniu horľavín.
- c. **Pri práci s elektrickým náradím dbajte na to, aby sa do jeho blízkosti nedostali deti a okolo stojace osoby.** Odvrátenie pozornosti môže viesť k strate kontroly nad náradím.

2. Elektrická bezpečnosť

- a. **Zástrčka prívodného kábla náradia musí zodpovedať zásuvke. Nikdy akýmkoľvek spôsobom zástrčku neupravujte.** Pri náradí, ktoré je chránené uzemnením nepoužívajte akékoľvek redukcie zástrčiek. Neupravené zástrčky a vyhovujúce spoje znižujú nebezpečenstvo úrazu elektrickým prúdom.
- b. **Vyvarujte sa dotyku s uzemnenými plochami ako je potrubie, radiátory, sporáky a chladničky.** Pri uzemnení vášho tela vzrastá riziko úrazu elektrickým prúdom.
- c. **Nevystavujte elektrické náradie dažďu alebo vlhkému prostrediu.** Ak do náradia vnikne voda, zvýši sa riziko úrazu elektrickým prúdom.

- d. **S prívodným káblom zaobchádzajte opatrne. Nikdy nepoužívajte prívodný kábel na prenášanie náradia, jeho posúvanie alebo za neho neťahajte pri odpájaní náradia od elektrickej siete. Zabráňte kontaktu kábla s horúcimi, masťnými a ostrými predmetmi a pohyblivými časťami náradia.** Poškodené alebo spletené káble zvyšujú riziko úrazu elektrickým prúdom.
- e. **Pokiaľ s náradím pracujete vo vonkajšom prostredí, používajte predlžovací kábel určený na použitie vonku.** Použitie týchto káblov znižuje riziko úrazu elektrickým prúdom.
- f. **Pri práci s elektrickým náradím vo vlhkom prostredí musí byť použitý prúdový chránič (RCD) napájacieho okruhu.** Použitie prúdového chrániča RCD znižuje riziko úrazu elektrickým prúdom.

3. Bezpečnosť osôb

- a. **Zostaňte stále pozorní, sledujte, čo vykonávate a pri práci s náradím premýšľajte.** Nepoužívajte elektrické náradie, ak ste unavení alebo ak ste pod vplyvom drog, alkoholu alebo liekov. Chvilka nepozornosti pri práci s náradím môže viesť k vážnemu úrazu.
- b. **Používajte prostriedky na ochranu osôb. Vždy používajte prostriedky na ochranu zraku.** Ochranné prostriedky, ako respirátor, nekľadá pracovná obuv, pokrývka hlavy a chrániče sluchu znižujú riziko poranenia osôb.
- c. **Zabráňte náhodnému zapnutiu. Pred pripojením k zdroju napätia alebo pred vložením akumulátora, zdvíhaním alebo prenášaním náradia skontrolujte, či je hlavný vypínač vypnutý.** Prenášanie náradia s prstom na hlavnom vypínači alebo pripojenie prívodného kábla k elektrickému rozvodu, ak je hlavný vypínač náradia v polohe zapnuté, môže spôsobiť úraz.
- d. **Pred zapnutím náradia sa vždy uistite, či nie sú v jeho blízkosti kľúče alebo nastavovacie prípravky.** Kľúče alebo nastavovacie prípravky zabudnuté na pohyblivých častiach náradia môžu viesť k spôsobeniu úrazu.
- e. **Neprekážajte sami sebe. Pri práci vždy udržujte vhodný a pevný postoj.** To umožňuje lepšiu ovládateľnosť náradia v neočakávaných situáciách.
- f. **Vhodne sa obliekajte. Nenoste voľný odev alebo šperky. Dbajte na to, aby sa Vaše**

vlasý, odev a rukavice nedostali do kontaktu s pohyblivými časťami. Voľné šaty, šperky alebo dlhé vlasý môžu byť pohyblivými dielmi zachytené.

g. Ak sú zariadenia vybavené adaptérom na pripojenie odsávacieho zariadenia a zberných zásobníkov, zaistíte ich správne pripojenie a riadnu funkciu. Použitie týchto zariadení môže znížiť riziká spojené s prachom.

4. Použitie elektrického náradia a jeho údržba

- a. **Náradie nepreťažujte. Používajte správny typ náradia pre Vašu prácu.** Náradie bude pracovať lepšie a bezpečnejšie, ak sa bude používať vo výkonnostnom rozsahu, pre ktorý bolo určené.
- b. **Ak nejde hlavný vypínač náradia zapnúť a vypnúť, s náradím nepracujte.** Akékoľvek náradie s nefunkčným hlavným vypínačom je nebezpečné a musí byť opravené.
- c. **Pred vykonávaním nastavenia a údržby, pred výmenou príslušenstva alebo ak náradie nepoužívate, odpojte ho od elektrickej siete a/alebo vyberte akumulátor.** Tieto preventívne opatrenia znižujú riziko úrazu elektrickým prúdom.
- d. **Uložte elektrické náradie mimo dosahu detí a nedovoľte ostatným osobám, ktoré toto náradie nevedia ovládať, aby s týmto elektrickým náradím pracovali.** Elektrické náradie je v rukách nequalifikovanej obsluhy nebezpečné.
- e. **Údržba náradia. Skontrolujte vychýlenie či zaseknutie pohyblivých častí, poškodenie jednotlivých dielov a iné okolnosti, ktoré môžu mať vplyv na chod náradia. Pokiaľ je náradie poškodené, nechajte ho opraviť.** Veľa nehôd je spôsobených nedostatočnou údržbou náradia.
- f. **Rezné nástroje udržiavajte ostré a čisté.** Riadne udržiavané rezné nástroje s ostrými reznými nožmi sú menej náchylné na zanášanie nečistotami a lepšie sa s nimi manipuluje.
- g. **Náradie, príslušenstvo a nástavce používajte podľa týchto pokynov a spôsobom, ktorý je určený pre daný typ náradia. Berte do úvahy aj prevádzkové podmienky a prácu, ktorú je nutné vykonať.** Použitie náradia na iné účely, než na aké je určené, môže byť nebezpečné.

5. Opravy

- a. **Vaše náradie nechajte opravovať iba osobou s príslušnou kvalifikáciou pri použití výhradne originálnych náhradných dielov.** Tým zaistíte bezpečnú prevádzku náradia.

Doplnkové bezpečnostné pokyny pre prácu s elektrickým náradím



Varovanie! Doplnkové bezpečnostné pokyny pre prácu s priamočiarými píľami.

- ♦ **Pri pracovných operáciách, pri ktorých by mohlo dôjsť ku kontaktu pracovného príslušenstva so skrytými vodičmi alebo s vlastným prírodným káblom, držte elektrické náradie vždy za izolované rukoväti.** Pri kontakte pracovného príslušenstva so „živým“ vodičom spôsobia neizolované kovové časti náradia obsluhu úraz elektrickým prúdom.
- ♦ **Obrobok si k pevnej podložke upnite pomocou svoriek či iným vhodným spôsobom.** Prichytenie obrobku rukou alebo k telu je nestabilné a môže viesť k strate kontroly.
- ♦ **Ruky držte mimo oblasť rezania.** Nikdy z akéhokoľvek dôvodu nesiahajte pod rezaný materiál. Nezasahujte prstami alebo palcom do blízkosti píloveho listu a upínania píloveho listu. Nespevňujte pílu uchopením za pätku.
- ♦ **Pílové listy udržiavajte ostré.** Otupené alebo poškodené pílové listy môžu spôsobiť odchýlenie alebo zaseknutie píly. Vždy používajte vhodný pílový list pre daný typ opracovávaného materiálu a daný typ rezu.
- ♦ **Pri rezaní potrubí alebo elektroinštalačných trubiek sa uistite, či nimi nepreteká voda alebo či tadiaľ nevedie elektrická kabeláž a pod.**
- ♦ **Ihneď po skončení rezu sa nedotýkajte obrobku ani píloveho listu.** Môžu byť veľmi rozpálené.
- ♦ **Pred rezaním do stien, podláh a stropov si buďte vedomí skrytých rizík, dopredu skontrolujte, kadiaľ je natiahnuté potrubie a elektrické vedenie.**
- ♦ **Po uvoľnení vypínača sa pílový list ešte chvíľu pohybuje.** Pred položením píly vždy vypnite hlavný vypínač a počkajte, kým sa pílový list celkom zastaví.

Varovanie! Pobyt v prašnom prostredí a vdýchnutie prachu pri rezaní môže ohroziť zdravie obsluhu náradia a okolo stojacich osôb. Používajte masku proti prachu určenú špeciálne na ochranu pred toxickým prachom a podobnými splovinami a zaistíte, aby boli takto chránené všetky osoby nachádzajúce sa alebo vstupujúce do pracovného priestoru.

- ◆ Použitie tohto náradia je popísané v tomto návode. Použitie akéhokoľvek iného príslušenstva alebo prídavných zariadení, alebo akéhokoľvek iné využitie tohto náradia, než je popísané v tomto návode na použitie, môže mať za následok riziko poranenia osôb alebo škody na majetku.

Bezpečnosť ostatných osôb

- ◆ Toto zariadenie nie je určené na použitie osobami (vrátane detí) so zníženými fyzickými, zmyslovými alebo duševnými schopnosťami alebo nedostatkom skúseností a znalostí, ak týmto osobám nebol stanovený dohľad, alebo ak im neboli poskytnuté inštrukcie týkajúce sa použitia zariadenia osobou zodpovednou za ich bezpečnosť.
- ◆ Deti by mali byť pod dozorom, aby sa s náradím nehrali.

Vibrácie

Deklarovaná úroveň vibrácií uvedená v technických údajoch a v prehlásení o zhode bola meraná v súlade so štandardnou skúšobnou metódou predpísanou normou EN 60745 a môže sa použiť na porovnávanie jednotlivých náradí medzi sebou. Deklarovaná úroveň vibrácií môže byť tiež použitá na predbežné stanovenie doby práce s týmto výrobkom.

Varovanie! Úroveň vibrácií pri aktuálnom použití elektrického náradia sa môže od deklarovanej úrovne vibrácií líšiť v závislosti od spôsobu použitia výrobku. Úroveň vibrácií môže byť oproti uvedenej hodnote vyššia.

Pri stanovení doby vystavenia sa vibráciám a určení bezpečnostných opatrení podľa normy 2002/44/EC na ochranu osôb pravidelne používajúcich elektrické náradie v zamestnaní by mal predbežný odhad pôsobenia vibrácií brať do úvahy aktuálne podmienky použitia náradia s prihliadnutím na všetky časti pracovného cyklu, ako aj času, počas ktorého je náradie vypnuté a kedy beží naprázdno.

Štítky na náradí



Varovanie! Aby ste znížili riziko vzniku úrazu, musí byť obsluha oboznámená s týmto návodom na použitie.

Elektrická bezpečnosť



Toto náradie je chránené dvojitoú izoláciou; z tohto dôvodu nie je nutná ochrana uzemnením. Vždy skontrolujte, či sieťové napätie vyhovuje napätiu uvedenému na typovom štítku náradia.

- ◆ Ak je poškodený prírodný kábel, musí byť vymenený výrobcom alebo v autorizovanom servise Black & Decker, aby sa zabránilo možným rizikám.

Popis

1. Hlavný vypínač
2. Zaisťovacie tlačidlo
3. Úložný priestor na pilové listy
4. Päťka pily
5. Vodiaci valec pilového listu

Nastavenie

Varovanie! Pred prevedením nasledujúcich operácií skontrolujte, či je náradie vypnuté a odpojené od zdroja napätia, a či sa pilový list zastavil. Použitie pilové listy môžu byť horúce.

Nastavenie vodiaceho valca pilového listu (obr. A a B)

- ◆ Povoľte skrutku (9).
- ◆ Tlačte základňu pily (4) dopredu, kým sa podporná kladka pilového listu (5) nebude dotýkať zadnej hrany pilového listu (7).
- ◆ Pritiahnite skrutku (9).

Nasadenie a vybratie pilového listu (obr. C)

- ◆ Pred nasadením alebo vybratím pilového listu (7) musí byť vodiaci valec (5) nastavený do zadnej polohy tak, aby sa pilového listu nedotýkal.
- ◆ Povoľte (nevyberajte) dve skrutky (6).
- ◆ Pilový list (7) uchopte ozubením smerom dopredu.
- ◆ Zasuňte upínaciu stopku pilového listu (7) čo najďalej do držiaka pilového listu (8).
- ◆ Mierne pritiahnite dve skrutky (6), nastavte polohu pilového listu a potom skrutky (6) plne dotiahnite.
- ◆ Vyššie uvedeným postupom nastavte vodiaci valec pilového listu (5).

- ♦ Pílový list (7) vyberte tak, že povolíte obe skrutky (6) o jednu otáčku proti smeru pohybu hodinových ručičiek.

Uloženie pílového listu (obr. D)

Pílové listy sa môžu uschovať v úložnom priestore (3) v zadnej časti náradia.

- ♦ Otvorte kryt úložného priestoru na pílové listy (3).
- ♦ Vyberte alebo uložte pílové listy (7) v úložnom priestore (3).
- ♦ Uzavrite kryt úložného priestoru na pílové listy (3) a uistite sa, či západky zacvakli.

Čistenie reznej línie (obr. E)

- ♦ Na zlepšenie viditeľnosti pri rezaní je Vaša píla vybavená dúchadlom (10), ktoré ofukovaním miesta rezu zaisťujú čistotu pracovnej oblasti pri rezaní.

Zvyškové riziká

Ak sa náradie používa iným spôsobom, než je uvedené v priložených bezpečnostných varovaniach, môžu sa objaviť dodatočné zvyškové riziká. Tieto riziká môžu vzniknúť v dôsledku nesprávneho použitia, dlhodobého použitia atď. Napriek tomu, že sa dodržiavajú príslušné bezpečnostné predpisy a používajú sa bezpečnostné zariadenia, určité zvyškové riziká sa nemôžu vylúčiť. Tieto riziká sú nasledujúce:

- ♦ Zranenia spôsobené kontaktom s akoukoľvek rotujúcou alebo pohybujúcou sa časťou.
- ♦ Zranenia spôsobené pri výmene dielov, pracovného nástroja alebo príslušenstva.
- ♦ Zranenia spôsobené dlhodobým použitím náradia. Ak používate akékoľvek náradie dlhší čas, zaisťujte, aby sa robili pravidelné prestávky.
- ♦ Poškodenie sluchu.
- ♦ Zdravotné riziká spôsobené vdychovaním prachu vytváraného pri použití náradia (príklad: - práca s drevom, najmä s dubovým, bukovým a MDF).

Použitie

Nastavenie pätky píly pri prevádzaní šikmých rezov (obr. F)

Pätku píly (4) je možné nastaviť na rezanie rovných rezov, alebo rezov pod uhlom 45°.

- ♦ Povoľte skrutku (9) (približne o 3 plné otáčky).
- ♦ Mierne nadvihnite a potiahnite smerom dozadu pätku píly (4), potom ju otočte tak, aby jej výrez dosiahol sklon 45°.
- ♦ Pritiahnite skrutku (9).

Zarovnanie pätky píly (4) pri prevádzaní rovných rezov:

- ♦ Povoľte skrutku (9).
- ♦ Pootočte pätku píly (4) tak, aby jej výrez dosiahol polohu 0° a potom pätku píly zatlačte smerom dopredu.
- ♦ Uistite sa, či je správne nastavený vodiaci valec pílového listu (5).
- ♦ Pritiahnite skrutku (9).

Zapnutie a vypnutie

- ♦ Ak chcete náradie zapnúť, stlačte hlavný vypínač (1).
- ♦ Ak chcete náradie vypnúť, uvoľnite hlavný vypínač (1).
- ♦ Nepretržitý chod zaisťíte stlačením zaisťovacieho tlačidla (2) a uvoľnením hlavného vypínača (1).
- ♦ Náradie v režime nepretržitého chodu vypnete opätovným stisnutím hlavného vypínača (1) a jeho následným uvoľnením.

Rezanie

Pri rezaní držte pílu pevne oboma rukami. Pätko píly by mala byť pevne pritlačená k rezanému obrobku. Tým sa napomôže ochrane pred odskočením píly, znížia sa vibrácie a minimalizuje sa možnosť zlomenia pílového listu.

- ♦ Pred začatím rezania nechajte pár sekúnd kmitať pílový list naprázdno.
- ♦ Pri rezaní tlačte na náradie len ľahko.

Rady na optimálne využitie

Rezanie vrstvených materiálov

Pri rezaní vrstvených dosák môžu vzniknúť úlomky, ktoré povrch dosky znehodnotia. Najpoužívanejšie pílové listy režu pri zdvihu smerom hore, preto pokiaľ je pätko píly pritlačená na lícovú stranu dosky, použite pílový list, ktorý reže smerom dole, alebo:

- ♦ Používajte pílové listy s jemnými zubami.
- ♦ Rezanie prevádzajte zo zadnej strany obrobku.
- ♦ Uprite si z oboch strán obrobku kus odpadového dreva, aby vznikalo minimum úlomkov pri rezaní a rez vedte priečne celou touto vrstvou.

Rezanie kovu

- ♦ Pamätajte si, že rezanie kovu trvá omnoho dlhšie než rezanie dreva.
- ♦ Používajte pílový list vhodný na rezanie kovu.
- ♦ Pri rezaní tenkých plechov pripevnite ku spodnej strane obrobku kúsok dreva a reže cez celú túto zostavu.
- ♦ Naneste na požadovanú čiaru rezu olejový film.

Údržba

Vaše náradie Black & Decker bolo skonštruované tak, aby Vám slúžilo dlhú dobu s minimálnymi nárokmi na údržbu. Pravidelná starostlivosť o náradie a jeho pravidelné čistenie Vám zaisťujú jeho bezproblémovú prevádzku.

Varovanie! Pred prevedením nasledujúcich operácií skontrolujte, či je náradie vypnuté a odpojené od zdroja napätia, a či sa pilový list zastavil.

- ♦ Vetracie otvory Vášho prístroja pravidelne čistíte mäkkou kefkou alebo suchou handričkou.
- ♦ Pravidelne čistíte kryt motora vlhkou handričkou. Nepoužívajte na čistenie abrazívne prostriedky ani rozpúšťadlá.

Ochrana životného prostredia



Triedený odpad. Tento prístroj nesmie byť vyhodený do bežného domáceho odpadu.

Keď príde deň, kedy Váš výrobok Black & Decker už nebudete potrebovať alebo uplynie čas jeho životnosti, nelikvidujte ho spolu s domovým odpadom. Zariadenie zlikvidujte podľa platných pokynov o triedení a recyklácii odpadov.



Triedený odpad umožňuje recykláciu a opätovné využitie použitých výrobkov a obalových materiálov. Opätovné použitie recyklovaných materiálov pomáha chrániť životné prostredie pred znečistením a znižuje spotrebu surovín.

Pri zakúpení nových výrobkov Vám miestne zberne odpadov, recyklačné stanice alebo predajne poskytnú informácie o správnej likvidácii elektrického odpadu z domácnosti.

Spoločnosť Black & Decker poskytuje možnosť zberu použitých výrobkov alebo ich recykláciu po ukončení ich prevádzkovej životnosti. V rámci tejto výhodnej služby dodajte Vaše nepotrebné náradie ktorejkoľvek autorizovanej servisnej pobočke Black & Decker, kde bude na naše náklady náradie zhromaždené.

Miesto Vašej najbližšej servisnej pobočky Black & Decker nájdete na príslušnej adrese uvedenej na zadnej strane tejto príručky. Prehľad autorizovaných servisov Black & Decker a rovnako ďalšie informácie týkajúce sa nášho popredajného servisu môžete nájsť tiež na internetovej adrese: www.2helpU.com

Technické údaje

	AST7XC TYP 2	KS495 TYP 1	KS500 TYP 1
Napájacie napätie	V_{AC} 230	230	230
Príkon	W 380	380	400
Otáčky naprázdno	min^{-1} 3000	3000	3000
Max. hĺbka rezu			
Drevo	mm 60	60	60
Oceľ	mm 5	5	5
Hliník	mm 10	10	10
Hmotnosť	kg 1,5	1,5	1,5

Hodnota akustického tlaku meraná podľa normy EN60745:

L_{pA} (akustický tlak) 87 dB(A), odchýlka (K) 3 dB(A)
 L_{WA} (akustický výkon) 98 dB(A), odchýlka (K) 3 dB(A)

Celková úroveň vibrácií (priestorový vektorový súčet) určená podľa normy EN 60745:

Rezanie dreva ($a_{h,CW}$) 11,5 m/s^2 , odchýlka (K) 1,5 m/s^2 ,
 Rezanie plechu ($a_{h,CM}$) 12,8 m/s^2 ,
 odchýlka (K) 1,5 m/s^2

ES Vyhlásenie o zhode v rámci EÚ

SMERNICA PRE STROJOVÉ ZARIADENIA



AST7XC, KS495, KS500

Spoločnosť Black & Decker vyhlasuje, že tieto produkty popisované v technických údajoch spĺňajú požiadavky nasledujúcich noriem: 2006/42/EC, EN60745-1, EN60745-2-11

Ak chcete získať ďalšie informácie, kontaktujte, prosím, spoločnosť Black & Decker na tejto adrese alebo na adresách, ktoré sú uvedené na konci tohto návodu.

Nižšie podpísaná osoba je zodpovedná za zostavenie technických údajov a vydáva toto prehlásenie v zastúpení spoločnosti Black & Decker.

Kevin Hewitt
 Viceprezident pre
 spotrebiteľskú techniku
 Black & Decker Europe,
 210 Bath Road, Slough,
 Berkshire, SL1 3YD
 United Kingdom
 12-04-2010

Záruka

Spoločnosť Black & Decker dôveruje kvalite svojho vlastného náradia a poskytuje kupujúcemu mimoriadnu záruku. Táto záruka je nadštandardná a v žiadnom prípade nepoškodzuje Vaše zákonné práva. Táto záruka platí vo všetkých členských štátoch EÚ a Európskej zóny voľného obchodu EFTA.

Ak sa na výrobku Black & Decker objavia, v priebehu 24 mesiacov od zakúpenia, akékoľvek materiálové či výrobné chyby, garantujeme, v snahe o minimalizovanie Vašich starostí, bezplatnú výmenu chybných dielcov, opravu alebo výmenu celého výrobku za nižšie uvedených podmienok:

- ◆ Výrobok nebol používaný na obchodné alebo profesionálne účely a nedochádzalo k jeho prenájmu.
- ◆ Výrobok nebol vystavený nesprávnemu použitiu a nebola zanedbaná jeho predpísaná údržba.
- ◆ Výrobok nebol poškodený cudzím zavinením.
- ◆ Neboli vykonávané opravy výrobku inými osobami než pracovníkmi značkového servisu Black & Decker.

Pri uplatňovaní reklamácie je nutné predajcovi alebo servisnému stredisku predložiť doklad o nákupe výrobku. Miesto Vašej najbližšej autorizovanej servisnej pobočky Black & Decker sa dozviete na príslušnej adrese uvedenej na zadnej strane tejto príručky. Zoznam autorizovaných servisov Black & Decker a podrobnosti o popredajnom servise nájdete tiež na internetovej adrese:

www.2helpU.com

Navštívte našu internetovú adresu

www.blackanddecker.sk a zaregistrujte si Váš výrobok Black & Decker. Budete tak mať neustále prehľad o nových výrobkoch a špeciálnych ponukách. Ďalšie informácie o značke Black & Decker a o našom výrobnom programe získate na internetovej adrese **www.blackanddecker.sk**

Назначение

Ваш лобзик Black & Decker предназначен для распиливания дерева, пластика и листового металла. Этот инструмент предназначен только для бытового использования.

Правила безопасности

Общие правила безопасности при работе с электроинструментами



Внимание! Перед началом работы внимательно прочтите все правила безопасности и инструкции по эксплуатации. Несоблюдение приведенных ниже инструкций может привести к поражению электрическим током, возникновению пожара и/или получению серьезной травмы.

Сохраняйте все инструкции и правила безопасности для дальнейшего пользования. Термин “Электроинструмент” во всех приведенных ниже указаниях относится к Вашему сетевому (с кабелем) электроинструменту или аккумуляторному (беспроводному) электроинструменту.

1. Безопасность рабочего места

- а. **Содержите рабочее место в чистоте и обеспечьте хорошее освещение.**
Беспорядок на рабочем месте и плохая освещенность могут привести к несчастному случаю.
- б. **Не используйте электроинструмент, если есть опасность возгорания или взрыва, например, вблизи легко воспламеняющихся жидкостей, газов или пыли.** В процессе работы электроинструмента появляются искры, которые могут воспламенить пыль или пары.

- в. **Не подпускайте близко детей или посторонних лиц во время работы электроинструментом.** Вы можете отвлечься и потерять контроль над электроинструментом.

2. Электробезопасность

- а. **Вилка кабеля электроинструмента должна подходить к сетевой розетке. Ни в коем случае не вносите изменения в конструкцию вилки электрокабеля. Не пользуйтесь адаптерной вставкой для подключения заземленных электроинструментов.**

Немодифицированные вилки и подходящие к ним сетевые розетки снижают риск поражения электрическим током.

- б. **Избегайте контактов частей тела с заземленными объектами, например, трубопроводами, радиаторами отопления, электроплитами и холодильниками.** Существует повышенный риск поражения электрическим током, если вы какой-либо частью тела касаетесь земли.
 - в. **Не подвергайте электроинструмент воздействию дождя или влаги.** Попадание жидкости внутрь электроинструмента повышает риск поражения электрическим током.
 - г. **Бережно обращайтесь с кабелем. Ни в коем случае не переносите электроинструмент, держа его за кабель, и не беритесь за кабель при отключении от сетевой розетки. Не подвергайте кабель воздействию влаги и масла и держите его подальше от острых кромок и движущихся деталей.** Повышают риск поражения электрическим током.
 - д. **При работе электроинструментом вне помещения пользуйтесь удлинительным кабелем, предназначенным для наружных работ.** Использование кабеля, предназначенного для работы вне помещения, снижает риск поражения электрическим током.
 - е. **При необходимости работы с электроинструментом во влажной среде используйте источник питания, оборудованный устройством защитного отключения (УЗО).** Использование УЗО снижает риск поражения электрическим током.
- #### 3. Индивидуальная безопасность
- а. **Будьте внимательны, следите за тем, что Вы делаете и руководствуйтесь здравым смыслом, когда Вы работаете электроинструментом. Не пользуйтесь электроинструментом, если Вы устали или находитесь под действием наркотиков, алкоголя или лекарств.** Минутная невнимательность при работе электроинструментами может привести к серьезной травме.
 - б. **Пользуйтесь средствами индивидуальной защиты. Всегда**

- надевайте защитные очки. Разумное использование таких средств индивидуальной защиты, как респиратор, ботинки на нескользящей подошве, защитный шлем и слухозащитные наушники, значительно снизит риск получения травмы.
- в. Не допускайте случайного запуска. Перед тем, как подключить электроинструмент к сети и/или аккумулятора, поднять или перенести его, убедитесь, что выключатель находится в положении “выключено”.** Не переносите электроинструмент с нажатой кнопкой выключателя, и не подключайте к сетевой розетке электроинструмент, выключатель которого установлен в положении “включено”. Это может привести к несчастному случаю.
- г. Перед включением электроинструмента снимите регулировочный или гаечный ключ.** Оставленный закрепленным на вращающейся части регулировочный или гаечный ключ может стать причиной тяжелой травмы.
- д. Не допускайте перенапряжения. Всегда твердо стойте на ногах, сохраняя равновесие.** Это поможет Вам не потерять контроль над электроинструментом в непредвиденной ситуации.
- е. Одевайтесь соответствующим образом. Не носите свободную одежду или украшения. Следите за тем, чтобы Ваши волосы, одежда или перчатки не попали в движущиеся части инструмента.** Свободная одежда, украшения или длинные волосы могут попасть в движущиеся части инструмента.
- ж. Если электроинструмент снабжен устройством сбора и удаления пыли, убедитесь, что данное устройство подключено и используется надлежащим образом.** Использование таких систем значительно снижает опасность, связанную с запыленностью рабочего пространства.
- 4. Использование и уход за электроинструментом**
- а. Не перегружайте электроинструмент. Используйте Ваш инструмент по назначению.** Электроинструмент работает надежно и безопасно только при соблюдении параметров, указанных в его технических характеристиках.
- б. Не используйте электроинструмент, если его выключатель не устанавливается в положение включения или выключения.** Электроинструмент с неисправным выключателем представляет опасность и подлежит ремонту.
- в. Отключайте электроинструмент от сетевой розетки и/или извлекайте аккумуляторную батарею перед регулированием, заменой принадлежностей или при хранении электроинструмента.** Такие меры предосторожности снижают риск случайного включения электроинструмента.
- г. Храните неиспользуемые электроинструменты в недоступном для детей месте и не позволяйте лицам, не знакомым с электроинструментом или данными инструкциями, работать электроинструментом.** Электроинструменты представляют опасность в руках неопытных пользователей.
- д. Проверяйте исправность электроинструмента. Проверяйте точность совмещения и легкость перемещения подвижных деталей, целостность деталей и любых других элементов электроинструмента, воздействующих на его работу. Направляйте поврежденные электроинструменты в ремонт.** Многие несчастные случаи являются следствием плохого ухода за электроинструментом.
- е. Следите за остротой заточки и чистотой режущих принадлежностей.** Принадлежности с острыми кромками позволяют избежать заклинивания и делают работу менее утомительной.
- ж. Используйте электроинструмент, принадлежности и насадки в соответствии с данным Руководством и с учетом рабочих условий и характера будущей работы.** Использование электроинструмента не по назначению может создать опасную ситуацию.
- 5. Техническое обслуживание**
- а. Ремонт Вашего электроинструмента должен производиться только квалифицированными специалистами с использованием оригинальных запасных частей.** Это обеспечит

безопасность Вашего электроинструмента в дальнейшей эксплуатации.

Дополнительные меры безопасности при работе электроинструментами



Внимание! Дополнительные меры безопасности при работе лобзиками.

- ◆ **Держите инструмент за изолированные ручки при выполнении операций, во время которых режущий инструмент может соприкоснуться со скрытой проводкой или собственным кабелем.** Контакт режущей принадлежности с находящимся под напряжением проводом делает не покрытые изоляцией металлические части электроинструмента «живыми», что создает опасность поражения оператора электрическим током.
- ◆ **Используйте тиски или другие приспособления для фиксации обрабатываемой детали, при этом кладите ее на неподвижную поверхность.** Если держать обрабатываемую деталь руками или с упором в собственное тело, то можно потерять контроль над инструментом или обрабатываемой деталью.
- ◆ **Держите руки вне зоны резания. Ни в коем случае не держите руки под заготовкой. Не помещайте пальцы вблизи пилки и зажима пилки.** Не стабилизируйте положение лобзика, удерживая его за поворотную подошву.
- ◆ **Следите за острой заточки. Затупленные или поврежденные пилки могут заставить пилу отклониться от линии реза или остановиться под воздействием чрезмерного усилия.** Всегда используйте пилку, максимально соответствующую материалу заготовки и характеру реза.
- ◆ **Прежде чем приступить к резке трубы или канала, убедитесь, что в них нет воды, электропроводки и т.д.**
- ◆ **Не дотрагивайтесь до заготовки или пилки сразу же после работы инструментом.** Они могут быть очень горячими.
- ◆ **Ознакомьтесь с возможными скрытыми опасностями перед началом работы. Прежде, чем сверлить отверстия в стенах, полах или потолках, проверьте их на наличие электропроводки и трубопроводов.**

- ◆ **Полотно будет продолжать движение некоторое время после того, как Вы отпустите выключатель.** Всегда выключайте электроинструмент и ждите, пока пилка полностью не остановится прежде, чем положить электроинструмент.

Внимание! Не допускайте попадания пыли, образующейся в процессе шлифования, на кожу, слизистые оболочки и в органы дыхания. Это может представлять опасность для здоровья оператора и стоящих рядом лиц. Пользуйтесь специальным респиратором, предназначенным для защиты от пыли и паров; следите, чтобы люди, находящиеся в зоне работ, или входящие в нее, также надевали респиратор.

- ◆ Назначение инструмента описывается в данном руководстве по эксплуатации. Используйте все насадки и приспособления и работайте данным инструментом строго в соответствии с данным руководством. Использование не по назначению может привести к серьезной травме и повреждению инструмента или обрабатываемого изделия.

Безопасность посторонних лиц

- ◆ Использование инструмента физически или умственно неполноценными людьми, а также детьми и неопытными лицами допускается только под контролем ответственного за их безопасность лица.
- ◆ Всегда следите, чтобы дети не играли с устройством.

Вибрация

Значения уровня вибрации, указанные в технических характеристиках инструмента и декларации соответствия, были измерены в соответствии со стандартным методом определения вибрационного воздействия согласно EN 60745 и могут использоваться при сравнении характеристик различных инструментов. Приведенные значения уровня вибрации могут также использоваться для предварительной оценки величины вибрационного воздействия.

Внимание! Значения вибрационного воздействия при работе электроинструментом зависят от вида работ, выполняемых данным инструментом, и могут отличаться от заявленных значений. Уровень вибрации может превышать заявленное значение.

При оценке степени вибрационного воздействия для определения необходимых защитных мер (2002/44/ЕС) для людей, использующих в процессе работы электроинструменты, необходимо принимать во внимание действительные условия использования электроинструмента, учитывая все составляющие рабочего цикла, в том числе время, когда инструмент находится в выключенном состоянии, и время, когда он работает без нагрузки, а также время его запуска и отключения.

Маркировка инструмента



Внимание! Внимательное ознакомление с руководством по эксплуатации поможет снизить риск получения травмы.

Электробезопасность



Данный электроинструмент защищен двойной изоляцией, исключающей потребность в заземляющем проводе. Всегда проверяйте, соответствует ли напряжение, указанное на табличке с техническими параметрами, напряжению источника питания.

- ◆ Во избежание несчастного случая, замена поврежденного кабеля питания должна производиться только на заводе-изготовителе или в авторизованном сервисном центре Black & Decker.

Особенности

1. Пусковой выключатель
2. Кнопка защиты от непреднамеренного пуска
3. Отделение для хранения пилки
4. Подошва
5. Направляющий ролик пилки

Сборка

Внимание! Перед выполнением любой из следующих операций убедитесь, что электроинструмент выключен и отсоединен от электросети, и что пилка остановилась. В процессе работы пилка нагревается.

Регулировка направляющего ролика пилки (Рис. А и В)

- ◆ Ослабьте затяжку винта (9).
- ◆ Тяните подошву (4) вперед, пока направляющий ролик (5) не коснется задней кромки пилки (7).

- ◆ Затяните винт (9).

Установка и снятие пилки (Рис. С)

- ◆ Перед установкой/снятием пилки (7) оттяните направляющий ролик пилки (5) назад так, чтобы он не касался пилки.
- ◆ Ослабьте (не выкручивайте полностью) два винта (6).
- ◆ Держите пилку (7) так, чтобы кромка с зубьями была направлена вперед.
- ◆ Вставьте хвостовик пилки (7) в держатель (8) до упора.
- ◆ Постепенно затягивайте два винта (6) по очереди, пока пилка не встанет на нужное место, затем затяните их полностью.
- ◆ Отрегулируйте направляющий ролик пилки (5), как это описано выше.
- ◆ Для снятия пилки (7) поверните два винта (6) на один оборот против часовой стрелки.

Хранение пилки (Рис. D)

Пилки можно держать в отделении для хранения (3), расположенном в задней части инструмента.

- ◆ Откройте крышку отделения для хранения пилки (3).
- ◆ Выньте пыльное полотно (7) или поместите его в отсек для хранения (3).
- ◆ Закройте крышку отделения для хранения пилки (3) и проверьте, что оно закрылось на защелку.

Устройство сдува опилок (Рис. Е)

- ◆ Ваш лобзик оборудован устройством сдува опилок (10), которое будет постоянно очищать линию реза от пыли, улучшая видимость при резании.

Остаточные риски

При работе с данным инструментом возможно возникновение дополнительных остаточных рисков, которые не вошли в описанные здесь правила техники безопасности. Эти риски могут возникнуть при неправильном или продолжительном использовании изделия и т.п. Несмотря на соблюдение соответствующих инструкций по технике безопасности и использование предохранительных устройств, некоторые остаточные риски невозможно полностью исключить. К ним относятся:

- ◆ Травмы в результате касания вращающихся/двигающихся частей инструмента.

- ◆ Риск получения травмы во время смены деталей электроинструмента, пильных дисков или насадок.
- ◆ Риск получения травмы, связанный с продолжительным использованием инструмента. При использовании инструмента в течение продолжительного периода времени делайте регулярные перерывы в работе.
- ◆ Ухудшение слуха.
- ◆ Ущерб здоровью в результате вдыхания пыли в процессе работы с электроинструментом (например, при распиле древесины, в особенности, дуба, бука и ДВП).

Эксплуатация

Регулировка угла наклона подошвы для выполнения косых резов (Рис. F)

Подошва (4) может устанавливаться как в положение для выполнения прямолинейных резов, так и в положение для выполнения косых резов под углом 45°.

- ◆ Ослабьте затяжку винта (9) (повернув примерно на 3 полных оборота).
- ◆ Слегка приподнимите и сдвиньте назад подошву (4), затем поворачивайте подошву до тех пор, пока ее паз не достигнет положения 45°.
- ◆ Затяните винт (9).

Для возврата подошвы (4) в положение для прямолинейных резов:

- ◆ Ослабьте затяжку винта (9).
- ◆ Поворачивайте подошву (4), пока ее паз не установится в положении 0°, затем сдвиньте подошву вперед.
- ◆ Убедитесь, что направляющий ролик пилки (5) правильно отрегулирован.
- ◆ Затяните винт (9).

Включение и выключение

- ◆ Чтобы включить инструмент, нажмите на клавишу пускового выключателя (1).
- ◆ Чтобы выключить инструмент, отпустите клавишу выключателя (1).
- ◆ Для непрерывной работы нажмите кнопку защиты от непреднамеренного пуска (2) и отпустите клавишу выключателя (1).
- ◆ Для выключения электроинструмента, находящегося в режиме непрерывной работы, нажмите и отпустите клавишу пускового выключателя (1).

Пиление

При резании крепко держите электроинструмент двумя руками. В процессе резания прижимайте подошву к поверхности материала. Это поможет избежать подпрыгивания лобзика, снизить вибрацию и вероятность поломки пилки.

- ◆ Дайте пилке поработать без нагрузки несколько секунд прежде, чем приступить к выполнению реза.
- ◆ Работайте, прилагая к электроинструменту только легкое усилие.

Советы по оптимальному использованию

Пиление ламината

При резании ламината может произойти его расщепление, что испортит внешний вид лицевой поверхности. Большинство стандартных пилок выполняют рез при ходе вверх, поэтому, если подошва располагается на лицевой поверхности, используйте пилку, которая режет при ходе вниз, или:

- ◆ Используйте пилку с мелкими зубьями.
- ◆ Пилите по обратной стороне заготовки.
- ◆ Чтобы избежать расщепления ламината, поместите заготовку между двумя панелями из древесины или ДСП и пилите получившуюся сэндвич-панель.

Резание металла

- ◆ Имейте в виду, что резание металла занимает гораздо больше времени, чем резание дерева.
- ◆ Пользуйтесь пилкой, предназначенной для резания металла.
- ◆ Для резания тонколистового металла, прикрепите деревянную панель к обратной стороне заготовки и выполняйте рез по получившейся сэндвич-панели.
- ◆ Смажьте маслом предполагаемую линию реза.

Техническое обслуживание

Ваш электроинструмент Black & Decker рассчитан на работу в течение продолжительного времени при минимальном техническом обслуживании. Срок службы и надежность инструмента увеличивается при правильном уходе и регулярной чистке.

Внимание! Перед выполнением любой из следующих операций убедитесь, что электроинструмент выключен и отсоединен от электросети, и что пилка остановилась.

- ◆ Регулярно очищайте вентиляционные прорези Вашего электроинструмента и зарядного устройства мягкой щеткой или сухой салфеткой.
- ◆ Регулярно очищайте корпус двигателя влажной салфеткой. Не пользуйтесь абразивными чистящими средствами или растворителями. Не допускайте попадания жидкости внутрь электроинструмента и ни в коем случае не погружайте какую-либо часть электроинструмента в жидкость.

Защита окружающей среды



Раздельный сбор. Данное изделие нельзя утилизировать вместе с обычными бытовыми отходами.

Если однажды Вы захотите заменить Ваш электроинструмент Black & Decker, или Вы больше в нем не нуждаетесь, не выбрасывайте его вместе с бытовыми отходами. Отнесите изделие в специальный приемный пункт.



Раздельный сбор изделий с истекшим сроком службы и их упаковок позволяет пускать их в переработку и повторно использовать. Использование переработанных материалов помогает защищать окружающую среду от загрязнения и снижает расход сырьевых материалов.

Местное законодательство может обеспечить сбор старых электроинструментов отдельно от бытового мусора на муниципальных свалках отходов, или Вы можете сдавать их в торговом предприятии при покупке нового изделия.

Фирма Black & Decker обеспечивает прием и переработку отслуживших свой срок изделий Black & Decker. Чтобы воспользоваться этой услугой, Вы можете сдать Ваше изделие в любой авторизованный сервисный центр, который собирает их по нашему поручению.

Вы можете узнать место нахождения Вашего ближайшего авторизованного сервисного центра, обратившись в Ваш местный офис Black & Decker по адресу, указанному в данном руководстве по эксплуатации. Кроме того, список авторизованных сервисных центров Black & Decker и полную информацию о нашем послепродажном обслуживании и контактах Вы можете найти в интернете по адресу:

www.2helpU.com.

Технические характеристики

		AST7XC ТИП2	KS495 ТИП1	KS500 ТИП1
Напряжение	В перем. тока	230	230	230
Потребляемая мощность	Вт	380	380	400
Число оборотов (без нагрузки)	об./мин.	3000	3000	3000
Макс. глубина реза:				
Дерево	мм	60	60	60
Сталь	мм	5	5	5
Алюминий	мм	10	10	10
Вес	кг	1,5	1,5	1,5

Уровень звукового давления в соответствии с EN 60745:

L_{pA} (звуковое давление) 87 дБ(A), погрешность (K) 3 дБ(A), L_{WA} (акустическая мощность) 98 дБ(A), погрешность (K) 3 дБ(A)

Сумма величин вибрации (сумма векторов по трем осям), измеренных в соответствии со стандартом EN 60745:

Распил древесины ($a_{h, CW}$) 11,5 м/с², погрешность (K) 1,5 м/с², Распил листового металла ($a_{h, CM}$) 12,8 м/с², погрешность (K) 1,5 м/с²

Декларация соответствия ЕС
ДИРЕКТИВА ПО МЕХАНИЧЕСКОМУ
ОБОРУДОВАНИЮ



AST7XC, KS495, KS500

Black & Decker заявляет, что продукты, обозначенные в разделе «Технические характеристики», полностью соответствуют стандартам: 2006/42/ЕС, EN60745-1, EN60745-2-11

За дополнительной информацией обращайтесь по указанному ниже адресу или по адресу, указанному на последней странице руководства.

За дополнительной информацией обращайтесь по указанному ниже адресу или по адресу, указанному на последней странице руководства.

Кевин Хьюитт (Kevin Hewitt)
Вице-президент отдела
мирового проектирования
Black & Decker Europe,
210 Bath Road, Slough,
Berkshire, SL1 3YD
United Kingdom
12-04-2010

БЛЭК ЭНД ДЕККЕР

гарантийные условия

Уважаемый покупатель!

1. Поздравляем Вас с покупкой высококачественного изделия BLACK & DECKER и выражаем признательность за Ваш выбор.
- 1.1. Надежная работа данного изделия в течение всего срока эксплуатации - предмет особой заботы наших сервисных служб. В случае возникновения каких-либо проблем в процессе эксплуатации изделия рекомендуем Вам обращаться только в авторизованные сервисные организации, адреса и телефоны которых Вы сможете найти в Гарантийном талоне или узнать в магазине. Наши сервисные станции - это не только квалифицированный ремонт, но и широкий выбор запчастей и принадлежностей.
- 1.2. При покупке изделия требуйте проверки его комплектности и исправности в Вашем присутствии, инструкцию по эксплуатации и заполненный Гарантийный талон на русском языке. При отсутствии у Вас правильно заполненного Гарантийного талона мы будем вынуждены отклонить Ваши претензии по качеству данного изделия.
- 1.3. Во избежание недоразумений убедительно просим Вас перед началом работы с изделием внимательно ознакомиться с инструкцией по его эксплуатации.
- 1.4. Обращаем Ваше внимание на исключительно бытовое назначение данного изделия.
2. Правовой основой настоящих гарантийных условий является действующее Законодательство и, в частности, Закон "О защите прав потребителей".
3. Гарантийный срок на данное изделие составляет 24 месяца и исчисляется со дня продажи через розничную торговую сеть. В случае устранения недостатков изделия, гарантийный срок продлевается на период, в течение которого оно не использовалось.
4. Срок службы изделия - 5 лет (минимальный, установленный в соответствии с Законом "О защите прав потребителей").
5. Наши гарантийные обязательства распространяются только на неисправности, выявленные в течение гарантийного срока и обусловленные производственными и конструктивными факторами.
6. Гарантийные обязательства не распространяются:
 - 6.1. На неисправности изделия, возникшие в результате:
 - 6.1.1. Несоблюдения пользователем предписаний инструкции по эксплуатации изделия.
 - 6.1.2. Механического повреждения, вызванного внешним ударным или любым иным воздействием.

- 6.1.3. Исполщования изделия в профессиональных целях и объемах, в коммерческих целях.
- 6.1.4. Применения изделия не по назначению.
- 6.1.5. Стихийного бедствия.
- 6.1.6. Неблагоприятных атмосферных и иных внешних воздействий на изделие, таких как дождь, снег, повышенная влажность, нагрев, агрессивные среды, несоответствие параметров питающей электросети указанным на инструменте.
- 6.1.7. Исполщования принадлежностей, расходных материалов и запчастей, не рекомендованных или не одобренных производителем.
- 6.1.8. Проникновения внутрь изделия посторонних предметов, насекомых, материалов или веществ, не являющихся отходами, сопровождающими применение по назначению, такими как стружка опилки и пр. .
- 6.2. На инструменты, подвергавшиеся вскрытию, ремонту или модификации вне уполномоченной сервисной станции.
- 6.3. На принадлежности, запчасти, вышедшие из строя вследствие нормального износа, и расходные материалы, такие как приводные ремни, угольные щетки, аккумуляторные батареи, ножи, пилки, абразивы, пыльные диски, сверла, буры и т. п. .
- 6.4. На неисправности, возникшие в результате перегрузки инструмента, повлекшей выход из строя электродвигателя или других узлов и деталей. К безусловным признакам перегрузки изделия относятся, помимо прочих: появление цветов побежалости, деформация или оплавление деталей и узлов изделия, потемнение или обугливание изоляции проводов электродвигателя под воздействием высокой температуры.



ME 77



007

Блэк энд Деккер Гмбх
Блэк энд Деккер Штрассе, 40
65510 Идштайн, Германия

Область застосування

Ваша електрична лобзикова пила виробництва компанії Black & Decker розроблена для розпилювання деревини, пластику та листового металу. Цей інструмент призначений лише для побутового використання.

Інструкції з техніки безпеки

Загальні правила безпеки для електричного інструменту



Попередження! Прочитайте всі попередження та всі інструкції. Невиконання всіх інструкцій, що наведені нижче, може призвести до ураження електричним струмом, пожежі та/або серйозних травм.

Зберігайте це керівництво для отримання інформації в подальшому. Термін "електричний інструмент" в усіх попередженнях, перерахованих нижче, стосується використовуваних Вами інструментів, що працюють від мережі енергоспоживання або акумуляторів.


1. Безпека робочої зони

- a. **Тримайте робочу зону чистою та добре освітленою.** Неупорядковані та темні робочі зони збільшують імовірність нещасного випадку.
- b. **Не використовуйте електричні інструменти у вибухонебезпечній атмосфері, наприклад, в присутності вогнебезпечних рідин, газів та пилу.** Електричні інструменти створюють іскри, що можуть запалити пил або випаровування.
- c. **Тримайте дітей та сторонніх подалі під час використання електричного інструменту.** Відвернення уваги може призвести до втрати контролю.

2. Електрична безпека

- a. **Вилка електричного інструменту має відповідати розетці. Ніколи ніяким чином не змінюйте розетку. Не використовуйте адаптерів із заземленими електричними інструментами.** Немодифіковані вилки та розетки, що підходять до них, зменшують ризик ураження електричним струмом.
- b. **Уникайте контакту тіла з заземленими поверхнями, такими як труби, радіатори, плити та холодильники.** Якщо Ваше тіло заземлене, ризик ураження електричним струмом збільшується.

- c. **Не залишайте електричні інструменти під дощем або в умовах підвищеної вологості.** Вода, що потрапляє в електричний інструмент, підвищує ризик ураження електричним струмом.
 - d. **Не використовуйте шнур не за призначенням. Ніколи не використовуйте шнур для переносу, витягнення або відключення електричного інструменту.** Тримайте шнур подалі від високих температур, мастила, гострих предметів та рухомих деталей. Ушкоджений або заплутаний шнур підвищує ризик ураження електричним струмом.
 - e. **При використанні електричного інструменту на вулиці, використовуйте подовжуючий шнур, що підходить для використання на вулиці.** Використання шнура, що підходить для вулиці, знижує ризик ураження електричним струмом.
 - f. **Якщо неможливо уникнути використання електричного інструменту в умовах підвищеної вологості, використовуйте живлення, захищене пристроєм залишкового струму (RCD).** Використання RCD знижує ризик ураження електричним струмом.
- #### 3. Особиста безпека
- a. **Будьте в стані готовності, дивіться, що ви робите, та використовуйте загальний глузд, коли ви працюєте з електричним інструментом.** Не використовуйте електричний інструмент, коли ви втомлені або знаходитесь від впливом наркотичних речовин, алкоголю або лікарських засобів. Втрата уваги при роботі з електричним інструментами може призвести до серйозних травм.
 - b. **Використовуйте особисті засоби безпеки.** Засоби безпеки, такі як протипилова маска, неслизькі безпечні чоботи, твердий капелюх та засоби захисту слухового апарату, які використані для відповідних умов, зменшують імовірність особистих травм.
 - c. **Уникнення випадкового запуску. Переконайтесь, що вимикач знаходиться в позиції Викл. перед підключенням до джерела живлення та/або акумулятора, переміщенням або перенесенням пристрою.** Перенесення інструменту, тримаючи палець на вимикачі, або підключення живлення з перемикачем

- в позиції Вкл. може призвести до нещасного випадку.
- d. **Зніміть всі налаштувальні ключі або гайкові ключі перед тим, як вмикати електричний інструмент.** Гайковий ключ, що залишився прикріпленим до якоїсь деталі, що обертається, може призвести до травм.
 - e. **Не перенапружуйтесь. Завжди підтримуйте правильну постановку ніг та рівновагу.** Це дозволяє тримати електричний інструмент під кращим контролем у несподіваних ситуаціях.
 - f. **Вдягайтеся відповідним чином. Не вдягайте вільний одяг чи прикраси.** Тримайте ваше волосся, одяг та рукавички подалі від рухомих деталей. Вільний одяг, прикраси або довге волосся може зачепитися за рухомі деталі.
 - g. **Якщо передбачені пристрої для підключення до засобів виділення та збирання пилу, переконайтеся, що вони правильно підключені та використовуються.** Використання таких пристроїв зменшує ризик виникнення небезпечних ситуацій, що пов'язані з потраплянням пилу.
- 4. Використання та догляд за електричним інструментом**
- a. **Не використовуйте надмірні зусилля при роботі з електричним інструментом.** Використовуйте відповідний електричний інструмент для вашої задачі. Правильно обраний електричний інструмент виконає завдання краще та безпечніше за умов, для яких він був розроблений.
 - b. **Не використовуйте інструмент, вмикач якого не вмикає та не вимикає його.** Будь-який електричний інструмент, який не може управлятися вмикачем, є небезпечним і має бути відремонтований.
 - c. **Відключіть вилку від джерела живлення перед тим, як робити будь-які налаштування, зміну додаткового обладнання та перед зберіганням інструменту.** Такі заходи безпеки знижують.
 - d. **Бережіть вимкнені електричні інструменти від дітей та не дозволяйте особам, що не знайомі з електричним інструментом або цими інструкціями, використовувати електричний інструмент.** Електричні інструменти є небезпечними, якщо вони використовуються некваліфікованими користувачами.
 - e. **Технічне обслуговування електричних інструментів. Перевіряйте на відсутність вирівнювання або заїдання рухомих деталей, ушкоджених частин та інших умов, що можуть впливати на роботу електричного інструменту.** Якщо є ушкодження, відремонтуйте інструмент перед використанням. Багато нещасних випадків є результатом того, що інструмент не пройшов відповідного технічного обслуговування.
 - f. **Тримайте ріжучі інструменти гострими та чистими.** Правильно доглянуті ріжучі інструменти з гострими ріжучими кромками мають меншу ймовірність заїдання, та ними легше керувати.
 - g. **Використовуйте електричний інструмент, додаткові інструменти та деталі інструменту тощо у відповідності до цих інструкцій та відповідно до даного типу механізованих інструментів, зважаючи на умови використання та роботу, яка має бути виконана.** Використання електричних інструментів не за призначенням може призвести до виникнення небезпечних ситуацій.
- 5. Обслуговування**
- a. **Надавайте Ваш електричний інструмент для обслуговування кваліфікованим спеціалістом з ремонту та використовуйте тільки ідентичні замінні деталі.** Це забезпечить безпеку електричного пристрою, що обслуговується.
- Додаткові правила безпеки для електричного інструменту**
-  **Попередження!** Додаткові інструкції з техніки безпеки для ножівок.
- ♦ **Тримайте електричні інструменти за ізольовану поверхню при виконанні операцій, при яких ріжуча поверхня може торкнутися схованої проводки або власного кабелю.** Ріжучі елементи при контакті з дротом під напругою може призвести до появи напруги в інструменті та ураження оператора електричним струмом.
 - ♦ **Використовуйте затискач або інший спосіб закріплення деталі, що**

оброблюється, на стабільній платформі.

Утримання деталі в руках або притискання її до тіла робить цю деталь нестабільною та може призвести до втрати контролю.

- ◆ **Тримайте руки подалі від ріжучої поверхні.** Ніколи не намагайтесь зробити щось під деталлю, що оброблюється. Не залишайте пальці поблизу зони роботи лез, що рухаються у напрямку одне до одного, або лез, що утворюють затиск. Не намагайтесь зупинити полотно ножівки, утримуючи його за місце кріплення.
- ◆ **Підтримуйте леза гострими.** Незагострені або пошкоджені леза можуть призвести до відхилення або зупинки ножівки під тиском. Завжди використовуйте відповідний тип пильного полотна в залежності від матеріалу деталі та типу розтину.
- ◆ **При розрізанні труб переконайтесь, що в них немає води, електропроводки тощо.**
- ◆ **Не торкайтесь деталі або леза відразу після використання інструменту.** Він може стати дуже гарячим.
- ◆ **Пам'ятайте про можливість виникнення схованої небезпеки перед розтинанням стін, підлоги або стелі, тому перевірте, чи не розташовані там труби або проводка.**
- ◆ **Лезо продовжує рухатися після відпускання перемикача.** Завжди після вимкнення інструменту зачекайте, доки він повністю не зупиниться, а лише потім покладіть його.

Попередження! Контакт або вдихання пилу від ріжучого обладнання є небезпечним для здоров'я оператора та, можливо, людей, що знаходяться поблизу. Вдягайте протипиловий респіратор, що розроблено для захисту від пилу та випаровувань та переконайтесь, що люди в робочій зоні або люди, що потрапляють в робочу зону, добре захищені.

- ◆ Використання за призначенням описане в цьому керівництві. Використання будь-яких аксесуарів або додаткових інструментів або виконання цим інструментом завдань, які не вказані в цьому керівництві, може призвести до травм та/або пошкодження майна.

Безпека сторонніх людей

- ◆ Цей інструмент не призначений для використання особами (включаючи дітей) із зниженими фізичними, сенсорними або розумовими можливостями, а також особами, які не мають досвіду та знань, за

винятком випадків, коли вони працюють під наглядом або отримали відповідні інструкції щодо використання пристрою від особи, відповідальної за безпеку.

- ◆ Діти повинні знаходитись під контролем, щоб гарантувати, що вони не будуть грати з пристроєм.

Вібрація

Значення вібрації, вказані в технічних даних та в декларації про відповідність виміряні з дотриманням стандартних методів тестування, наданих в EN 60745, та їх можна використовувати для порівняння одного інструменту з іншим. Задекларовані значення вібрації можна також використовувати для попередньої оцінки впливу вібрації.

Попередження! Значення вібрації під час використання інструменту може відрізнятись від задекларованого в залежності від способів використання інструменту. Рівень вібрації може перевищувати вказані значення.

При оцінці впливу вібрації для визначення заходів безпеки за вимогами 2002/44/ЕС, щоб захистити людей, що регулярно використовують інструменти в роботі, необхідно враховувати реальні умови та способи використання інструменту, включаючи врахування всіх періодів робочого циклу, наприклад, часу, коли інструмент вимкнено та коли він знаходиться в режимі очікування, а також часу реальної роботи інструменту.

Наклейки на інструментах



Попередження! Щоб зменшити ризик травм, користувач повинен прочитати керівництво з експлуатації.

Електрична безпека



Цей інструмент має подвійну ізоляцію; тому заземлення не є необхідним. Завжди перевіряйте, що джерело живлення відповідає напрузі, що вказана на табличці з паспортними даними.

- ◆ Якщо шнур живлення пошкоджений, його необхідно замінити у виробника або в офіційному сервісному центрі Black & Decker для уникнення небезпеки.

Деталі

1. Вимикач
2. Кнопка захвату

3. Камера для зберігання полотен ножівки
4. Опорна плита
5. Опорний ролик полотна ножівки

системою очищення (вентилятором) лінії розтину (10), що очищує робочу область від пилу під час роботи.

Зборка

Попередження! Перед тим як виконувати наступні операції переконайтесь, що інструмент вимкнений та відключений від мережі живлення, а пильне полотно зупинене. Після використання полотна ножівки можуть бути гарячими.

Налаштування опорного ролику пильного полотна (мал. А і В)

- ◆ Послабте гвинт (9).
- ◆ Потягніть опорну плиту (4) вперед, до моменту, коли опорний ролик пильного полотна (5) торкнеться заднього краю пильного полотна (7).
- ◆ Затягніть гвинт (9).

Встановлення та зняття пильного полотна (мал. С)

- ◆ Перед встановленням та зняттям пильного полотна (7) необхідно налаштувати опорний ролик (5) пильного полотна так, щоб він не торкався леза.
- ◆ Послабте (не знімайте) два гвинти (6).
- ◆ Тримайте ріжуче полотно (7) так, щоб зубці дивилися вперед.
- ◆ Вставте основу пильного полотна (7) в тримач леза (8) до упору.
- ◆ Трохи затягніть два гвинти (6) по черзі, щоб вірно розташувати лезо, а потім міцно затягніть два гвинти (6).
- ◆ Налаштуйте опорний ролик (5), що підтримує полотно, як описано вище.
- ◆ Щоб зняти пильне полотно (7), поверніть обидва гвинти (6) один раз проти годинникової стрілки.

Зберігання ріжучого полотна (мал. D)

Пильне полотно можна зберігати у відсіку для зберігання (3) на задній поверхні інструменту.

- ◆ Відкрийте кришку відсіку для зберігання пильного полотна (3).
- ◆ Витягніть або покладіть пильні полотна (7) у відсік для зберігання (3).
- ◆ Закрийте кришку відсіку для зберігання полотна (3) та переконайтесь, що вона надійно зафіксована.

Система очищення лінії розтину (мал. Е)

- ◆ Для покращення видимості при розрізанні Ваша електрична лобзикова пилка оснащено

Залишкові ризики

Додаткові залишкові ризики можуть виникнути при використанні інструменту, який не включено до наведених попереджень з техніки безпеки.

Ці ризики можуть виникнути через невірне використання, тривале використання, тощо. Незважаючи на виконання всіх відповідних правил техніки безпеки та використання пристроїв безпеки, неможливо уникнути деяких залишкових ризиків. Сюди належать:

- ◆ Травми через контакт з деталями, що рухаються/обертаються.
- ◆ Травми при заміні деталей, пильних полотен або аксесуарів.
- ◆ Травми через занадто тривале використання інструменту. При використанні будь-якого інструменту протягом тривалого періоду часу не забувайте робити регулярні перерви.
- ◆ Пошкодження слуху.
- ◆ небезпека для здоров'я через вдихання пилу, що утворюється при використанні інструменту (наприклад, при роботі з деревом, особливо з дубом, березою та ДВП).

Використання

Налаштування опорної пластини для зняття фаски (мал. F)

Опорну пластину (4) можна встановити для створення прямих або косих розтинів під кутом 45°.

- ◆ Послабте гвинти (9) (приблизно на 3 повні повороти).
- ◆ Трошки підніміть опорну пластину (4) та потягніть назад, а потім поверніть опорну пластину, доки отвір в опорній пластині не досягне положення 45°.
- ◆ Затягніть гвинт (9).

Повторне налаштування опорної пластини (4) для різки під прямим кутом:

- ◆ Послабте гвинт (9).
- ◆ Поверніть опорну пластину (4), доки отвір в опорній пластині не досягне положення 0°, а потім потягніть опорну пластину вперед.
- ◆ Переконайтесь, що ролик (5), що підтримує ріжуче полотно, налаштований правильно.
- ◆ Затягніть гвинт (9).

Ввімкнення та вимкнення

- ◆ Для ввімкнення інструменту натисніть перемикач ввімкнено/вимкнено (1).
- ◆ Щоб вимкнути інструмент, відпустіть перемикач вперед/назад (1).
- ◆ Для безперервної роботи натисніть кнопку блокування (2) та відпустіть перемикач вмик./вимик. (1).
- ◆ Щоб вимкнути інструмент в режимі безперервної роботи натисніть та відпустіть перемикач вмик./вимик. (1).

Розпилювання

Під час розпилювання тримайте інструмент міцно обома руками. Опорна пластина повинна повністю прилягати до матеріалу, що розпилюється. Це допоможе уникнути "стрибання" пилки, зменшити вібрацію та мінімізувати можливість пошкодження ріжучого полотна.

- ◆ Полотно повинно ходити вільно декілька секунд перед початком розпилювання
- ◆ Застосовуйте лише невеликий тиск при розпилюванні.

Примітки для оптимального використання

Розпилення ламінату

При розпилюванні ламінату може виникнути розколювання, що пошкоджує зовнішню поверхню. Більшість пильних полотен ріжуть, рухаючись догори, тому якщо опорна пластина знаходиться на лицьовій стороні, то або використовуйте пильне полотно, що ріже, рухаючись донизу, або:

- ◆ Використовуйте ріжуче полотно з тонкими зубцями.
- ◆ Розпилюйте, починаючи з задньої поверхні матеріалу.
- ◆ Для зменшення розщеплення, прикріпіть шматки деревини чи твердої ДВП до обох сторін матеріалу та розпилюйте цей "сандвич".

Розпилення металу

- ◆ Зверніть увагу на те, що розпилення металу займає набагато більше часу, ніж розпилення деревини.
- ◆ Використовуйте ріжуче полотно, необхідне для розпилення металу
- ◆ При розрізанні тонкого листового металу закріпіть шматки деревини на задню

поверхню матеріалу та розпилюйте цей "сандвич".

- ◆ Покрийте передбачену лінію розрізання шаром мастила.

Технічне обслуговування

Ваш інструмент виробництва компанії Black & Decker призначений для роботи протягом довгого часу з мінімальним обслуговуванням. Постійна задовільна робота залежить від правильного догляду за інструментом та регулярної очистки.

Попередження! Перед тим як виконувати операції обслуговування та очистки переконайтесь, що інструмент вимкнений та відключений від мережі живлення, а пильне полотно зупинене.

- ◆ Регулярно очищуйте вентиляційний отвір за допомогою м'якої щітки або сухої ганчірки.
- ◆ Регулярно очищуйте корпус мотору вологою ганчіркою. Не використовуйте абразивні засоби та очищаючі засоби, що містять розчинники.

Захист навколишнього середовища



Окреме збирання. Цей виріб не має викидатися на смітник із звичайним побутовим сміттям.

Якщо якимось Ви вирішите, що ваш виріб фірми Black & Decker має бути замінено, або він Вам більше не потрібний, не викидайте його на смітник побутового сміття. Представник сервісної служби фірми Black & Decker прийме від Вас старі вироби та утилізує їх безпечним для навколишнього середовища способом.



Збір використаних продуктів та упаковки в окремі контейнери дозволяє переробляти матеріали та використовувати їх вдруге. Переробка повторно використовуваних матеріалів допомагає попередити забруднення навколишнього середовища та зменшує потребу в сировині.

Місцеві законодавчі акти можуть передбачати окремий збір електричного обладнання в муніципальних місцях для збору сміття або продавцями при покупці нового обладнання.

Компанія Black & Decker має можливість для збору та переробки продуктів власного виробництва після закінчення їхнього терміну

служби. Щоб скористатися цією послугою, поверніть виріб компанії в один з офіційних сервісних центрів, які збирають відпрацьовані продукти за рахунок компанії.

Ви можете знайти місцезнаходження найближчого до Вас сервісного центру, зв'язавшись з місцевим офісом компанії Black & Decker за адресою, вказаною в цих інструкціях. Крім того, список офіційних сервісних центрів компанії Black & Decker з усіма подробицями нашого післяпродажного обслуговування та контактною інформацією міститься в Інтернеті за адресою: www.2helpU.com.

Технічні дані

		AST7XC ТИП 2	KS495 ТИП 1	KS500 ТИП 1
Напруга В (змінний струм)		230	230	230
Споживана потужність Вт		380	380	400
Швидкість без навантаження ход / хв		3000	3000	3000
Максимальна глибина розпилення				
Дерево	мм	60	60	60
Сталь	мм	5	5	5
Алюміній	мм	10	10	10
Вага	кг	1,5	1,5	1,5

Рівень звукового тиску згідно з EN60745:

L_{pA} (звуковий тиск) 87 дБ(А), похибка (К) 3 дБ(А)

L_{WA} (звукова потужність) 98 дБ(А), похибка (К) 3 дБ(А)

Загальні значення вібрації (векторна сума трьох векторів) відповідно до EN 60745:

Розрізання деревини ($a_{h, CW}$) 8,5 м/с², похибка (К) 1,5 м/с², Розрізання листового металу ($a_{h, CM}$) 12,8 м/с², похибка (К) 1,5 м/с²

Заява про відповідність ЄС ДИРЕКТИВА ДЛЯ МЕХАНІЧНОГО ОБЛАДНАННЯ



AST7XC, KS495, KS500

Компанія Black & Decker заявляє, що продукти, описані в розділі „Технічні дані“ відповідають: 2006/42/EC, EN60745-1, EN60745-2-11

Для отримання додаткової інформації, будь ласка, зверніться до компанії Black & Decker за наступною адресою або прочитайте інформацію на зворотній стороні цього керівництва.

Нижчепідписаний несе відповідальність за упорядкування файлу технічних характеристик та робить цю заяву від компанії Black & Decker.

Кевін Хьюїт (Kevin Hewitt)
Віце-президент
з глобальних розробок
Black & Decker Europe,
210 Bath Road, Slough,
Berkshire, SL1 3YD
Великобританія
12-04-2010

БЛЕК ЕНД ДЕККЕР

гарантійні умови

Шановний покупцю!

1. Вітаємо Вас з покупкою високоякісного виробу компанії Black & Decker та висловлюємо Вам свою вдячність за Ваш вибір.
- 1.1. Надійна робота цього виробу на протязі всього терміну експлуатації є предметом особливої турботи наших сервісних служб. У випадку виникнення будь-яких проблем в процесі експлуатації виробу ми рекомендуємо Вам звертатися лише до авторизованих сервісних організацій, адреси та телефони яких Ви зможете знайти в Гарантійному талоні або дізнатися в магазині. Наші сервісні центри – це не тільки кваліфікований ремонт, але і широкий вибір запчастин та аксесуарів.
- 1.2. При купівлі виробу вимагайте перевірки його комплекtnості та справності за Вашою присутності, наявності інструкції та заповненого Гарантійного талону на українській мові. За умов відсутності у Вас правильно заповненого Гарантійного талону ми будемо вимушені відхилити Ваші претензії щодо якості цього виробу.
- 1.3. Щоб уникнути всіх непорозумінь наполегливо просимо Вас перед початком роботи з виробом уважно ознайомитись з інструкцією щодо його експлуатації.
- 1.4. Звертаємо Вашу увагу на виключно побутове призначення цього виробу.
2. Правовою основою даних гарантійних умов є діюче Законодавство та, зокрема, Закон "Про захист прав споживачів".
3. Гарантійний термін на даний виріб складає 24 місяці та починається з дня продажу через роздрібну торгову мережу. У випадку усунення недоліків виробу гарантійний термін подовжується на період, протягом якого виріб не використовувався.
4. Термін служби виробу - 5 років (мінімальний, встановлений у відповідності до Закону "Про захист прав споживачів").
5. Наші гарантійні зобов'язання поширюються тільки на несправності, виявлені протягом гарантійного терміну та обумовлені виробничими та конструктивними факторами.
6. Гарантійні зобов'язання не поширюються:
 - 6.1. На несправності виробу, що виникли в результаті:
 - 6.1.1. Недотримання користувачем вказівок інструкції з експлуатації виробу.
 - 6.1.2. Механічних пошкоджень, викликаних зовнішнім ударним або іншим впливом.
 - 6.1.3. Використання виробу в професійних цілях та об'ємах, в комерційних цілях.
 - 6.1.4. Застосування виробу не за призначенням.
 - 6.1.5. Стихійного лиха.

- 6.1.6. Несприятливому атмосферному та інших зовнішніх впливах на виріб, таких як дощ, сніг, підвищена вологість, нагрів, агресивні середовища, невідповідність параметрів електромережі параметрам, вказаним на інструменті.
- 6.1.7. Використання аксесуарів, витратних матеріалів та запчастин, які не рекомендовані або не схвалені виробником.
- 6.1.8. Проникнення всередину інструменту сторонніх предметів, комах, матеріалів або речовин, що не є відходами, які супроводжують використання інструменту за призначенням, наприклад, стружки, опилки та ін.
- 6.2. На інструменти, що були відкриті, піддані ремонту або модифікації поза уповноваженим сервісним центром.
- 6.3. На приналежності, запчастини, що вийшли з ладу внаслідок нормального зносу, та витратні матеріали, такі як, приводні ремені, вугільні щітки, ножі, та ін.
- 6.4. На несправності, які виникли в результаті перевантаження інструменту, що призвело до виходу з ладу електродвигуна або інших вузлів та деталей. До безумовних ознак перевантаження виробу належать, зокрема: поява кольорів мінливості, деформація або оплавлення деталей та вузлів виробу, потемніння або обуглювання ізоляції дротів електродвигуна під впливом високої температури.



Блек енд Декер ГмБХ,
Блек енд Декер Штрассе, 40,
65510 Ідштайн, Німеччина.

03 червня 1999 р.

Kullanım amacı

Black & Decker dekupaj testereniz ahşap, plastik ve sac metal kesimi için tasarlanmıştır. Hafif hizmet ve hobi kullanımı içindir

Güvenlik talimatları

Genel elektrikli alet güvenlik talimatları



Uyarı! Bütün güvenlik uyarılarını ve talimatlarını mutlaka okuyun. Bu talimatların herhangi birisine uyulmaması elektrik çarpması, yangın ve/veya ciddi yaralanma riskine neden olabilir.

Bütün uyarı ve güvenlik talimatlarını ileride

bakmak üzere muhafaza edin. Aşağıda yer alan uyarılardaki "elektrikli alet" terimi şebeke elektrifiyle (kablolu) veya akü/pille (şarjlı) çalışan elektrikli aletinizi ifade etmektedir.

1. Çalışma alanının güvenliği

- Çalışma alanını temiz ve aydınlık tutun.** Karışık ve karanlık alanlar kazaya davetiye çıkarır.
- Elektrikli aletleri, yanıcı sıvılar, gazlar ve tozların bulunduğu yerler gibi yanıcı ortamlarda çalıştırmayın.** Elektrikli aletler, toz veya dumanları ateşleyebilecek kıvılcımlar çıkarır.
- Bir elektrikli aleti çalıştırırken çocuklardan ve etraflıki kişilerden uzak tutun.** Dikkatinizi dağıtıcı şeyler kontrolü kaybetmenize neden olabilir.

2. Elektrik güvenliği

- Elektrikli aletlerin fişleri prizlere uygun olmalıdır.** Fiş üzerinde kesinlikle hiçbir değişiklik yapmayın. Topraklı elektrikli aletlerde hiçbir adaptör fişi kullanmayın. Değiştirilmemiş fişler ve uygun prizler elektrik çarpması riskini azaltacaktır.
- Borular, radyatörler, ocaklar ve buzdolapları gibi topraklanmamış yüzeylerle vücut temasından kaçının.** Vücudunuzun topraklanması halinde yüksek bir elektrik çarpması riski vardır.
- Elektrikli aletleri yağmura maruz bırakmayın veya ıslatmayın.** Elektrikli alete su girmesi elektrik çarpması riskini arttıracaktır.
- Elektrik kablosunu uygun olmayan amaçlarla kullanmayın.** Elektrikli aleti kesinlikle kablosundan tutarak taşımayın, çekmeyin veya prizden çıkartmayın. Kabloyu sıcağtan, yağdan, keskin kenarlardan veya hareketli parçalardan uzak

tutun. Hasarlı veya dolaşmış kablolar elektrik çarpması riskini artırır.

- Elektrikli bir aleti açık havada kullanıyorsanız,** açık havada kullanıma uygun bir uzatma kablosu kullanın. Açık havada kullanıma uygun bir kablonun kullanılması elektrik çarpması riskini azaltır.
 - Eğer bir elektrikli aletin nemli bir bölgede çalıştırılması zorunluysa, bir artık akım aygıtı (RCD) korumalı bir kaynak kullanın.** Bir RCD kullanılması elektrik şoku riskini azaltır.
- #### 3. Kişisel güvenlik
- Elektrikli bir aleti kullanırken her zaman dikkatli olun, yaptığınız işe konsantre olun ve sağduyulu davranın.** Elektrikli bir aleti yorgunken veya ilaç ya da alkolün etkisi altındayken kullanmayın. Elektrikli aletleri kullanırken bir anlık dikkatsizlik ciddi kişisel yaralanmayla sonuçlanabilir.
 - Kişisel koruyucu ekipmanları mutlaka kullanın.** Koşullara uygun toz maskesi, kaymayan güvenlik ayakkabıları, baret veya kulaklık gibi koruyucu ekipmanların kullanılması kişisel yaralanmaları azaltacaktır.
 - İstem dışı çalıştırılmasını önleyin.** Cihazı güç kaynağına ve/veya akü takımına bağlamadan, yerden kaldırmadan veya taşımadan önce düğmenin kapalı konumda olduğundan emin olun. Aleti, parmağınız düğme üzerinde bulunacak şekilde taşımak veya açık konumdaki elektrikli aletleri elektrik şebekesine bağlamak kazaya davetiye çıkarır.
 - Elektrikli aleti açmadan önce tüm ayarlama anahtarlarını çıkartın.** Elektrikli aletin hareketli bir parçasına takılı kalmış bir anahtar kişisel yaralanmaya neden olabilir.
 - Ulaşmakta zorlandığınız yerlerde kullanmayın.** Daima sağlam ve dengeli basın. Bu, beklenmedik durumlarda elektrikli aletin daha iyi kontrol edilmesine olanak tanır.
 - Uygun şekilde giyinin.** Bol elbiseler giymeyin ve takı takmayın. Saçınızı, eldivenlerinizi ve eldivenlerinizi hareketli parçalardan uzak tutun. Bol elbiseler ve takılar veya uzun saç hareketli parçalara takılabilir.
 - Eğer kullandığınız üründe toz emme ve toplama özellikleri olan ataşmanlar varsa bunların bağlı olduğundan ve doğru şekilde kullandığınızdan emin olun.** Bu adaptörün kullanılması tozla ilgili tehlikeleri azaltabilir.

4. Elektrikli aletlerin kullanımı ve bakımı
- a. Elektrikli aleti zorlamayın. Uygulamanız için doğru elektrikli aleti kullanın. Doğru elektrikli alet, belirlendiği kapasite ayarında kullanılacaksa daha iyi ve güvenli çalışacaktır.
- b. Dügme açmıyor ve kapatmıyorsa elektrikli aleti kullanmayın. Dügmeyle kontrol edilemeyen tüm elektrikli aletler tehlikelidir ve tamir edilmesi gerekmektedir.
- c. Herhangi bir ayarlama, aksesuar deęişimi veya elektrikli aletlerin saklanması öncesinde fişi güç kaynağından çekin ve/veya akü takımını elektrikli aletten ayırın. Bu tür önleyici güvenlik tedbirleri elektrikli aletin istem dışı olarak çalıştırılması riskini azaltacaktır.
- d. Elektrikli aleti, çocukların ulaşamayacağı yerlerde saklayın ve elektrikli aleti tanımayan veya bu talimatları bilmeyen kişilerin elektrikli aleti kullanmasına izin vermeyin. Elektrikli aletler, eğitimsiz kullanıcıların elinde tehlikelidir.
- e. Elektrikli aletleri iyi durumda muhafaza edin. Hareketli parçalardaki hizalama hatalarını ve tutuklukları, parçalardaki kırılmalar ve elektrikli aletin çalışmasını etkileyebilecek tüm diğer koşulları kontrol edin. Hasarlı ise, elektrikli aleti kullanmadan önce tamir ettirin. Kazaları çoğu, elektrikli aletlerin bakımının yeterli şekilde yapılmasından kaynaklanır.
- f. Kesim aletlerini keskin ve temiz tutun. Bakımı uygun şekilde yapılmış keskin kesim uçlu kesim aletlerinin sıkışma ihtimali daha düşüktür ve kontrol edilmesi daha kolaydır.
- g. Elektrikli aleti, aksesuarlarını ve aletin diğer parçalarını kullanırken bu talimatlara mutlaka uyun ve çalışma ortamının koşullarını ve yapılacak işin ne olduğunu göz önünde bulundurun. Elektrikli aletin öngörülen işlemler dışındaki işlemler için kullanılması tehlikeli durumlara neden olabilir.
5. Servis
- a. Elektrikli aletinizi, sadece orijinal yedek parçalarını kullandığınız yetkili Black & Decker servisine tamir ettirin. Bu, elektrikli aletin güvenliğinin muhafaza edilmesini sağlayacaktır.

Elektrikli aletler için ek güvenlik talimatları



Uyarı! Dekupaj testereleri için ek güvenlik talimatları.

- ◆ Kesme aksesuarının gizli kabloları veya kendi kablosuna temas edebileceği yerlerde

- çalışma yaparken elektrikli aleti yalıtımlı kavrama yüzeylerinden tutun. Kesme aksesuarının «akım taşıyan» bir kabloya temas etmesi durumunda elektrikli aletin metal kısımları da «akım taşır» hale gelecek ve kullanıcının elektrik çarpmasına neden olabilir.
- ◆ Üzerinde çalıştığınız parçayı sabitlemek ve desteklemek için kelepçeler veya başka pratik yöntemler kullanın. Parçayı elle veya vücudunuza dayamanız dengesiz durmasına neden olacaktır ve aletin kontrolünü kaybetmenize yol açabilir.
- ◆ Ellerinizi kesim alanından uzak tutun. Çalıştığınız parçanın altına hiçbir nedenle girmeyin. Pistonlu bıçak ve bıçak kelepçesinin yakınına parmaklarınızı veya başparmağınızı sokmayın. Testereyi tabanından tutarak dengelemeye çalışmayın.
- ◆ Bıçakları keskin durumda muhafaza edin. Körelmiş veya hasarlı bıçaklar testerenin basınç altında başka bir yöne fırlamasına veya sıkışmasına neden olabilir. Her zaman, üzerinde çalışılan malzeme ve kesim tipine uygun tipte testere bıçağı kullanın.
- ◆ Boru veya kanal keserken içlerinden su, elektrik kablosu vb. geçmediğinden emin olun.
- ◆ Alet çalıştırdıktan hemen sonra üzerinde çalıştığınız parçaya dokunmayın. Çok sıcak olabilirler.
- ◆ Duvarlarda, zeminlerde veya tavanlarda kesim yapmadan önce gizli tehlikelere karşı dikkatli olun; kablo ve boruların yerlerini kontrol edin.
- ◆ Bıçak, düğme bırakıldıktan sonra da hareket etmeye devam edecektir. Aleti yere bırakmadan önce daima kapatın ve testere bıçağının tamamen durmasını bekleyin.

Uyarı! Kesim uygulamaları nedeniyle açığa çıkan tozla temas, operatörün ve çevrede bulunanların sağlığını tehlikeye atabilir. Toz ve dumanlara karşı korunma için özel olarak tasarlanmış bir toz maskesi kullanın ve çalışma alanına giren veya bulanda bulunan kişilerin de korunduğundan emin olun.

- ◆ Bu aletin kullanım amacı bu kılavuzda belirtilmiştir. Herhangi bir aksesuarın veya bağlantının ya da işlemin, bu kılavuzda tavsiye edilen şekilden başka bir şekilde kullanılması şahısların yaralanmalarına ve/veya mal kaybına yol açabilir.

Diğer kişilerin güvenliği

- ◆ Bu alet fiziksel ve zihinsel kapasitesinin yanı sıra algılama gücü azalmış olan veya yeterince deneyim ve bilgisi bulunmayan kişiler (çocuklar dahil) tarafından kullanılmak üzere üretilmemiştir. Bu tür kişiler aleti ancak güvenliklerinden sorumlu bir kişi tarafından cihazın kullanımıyla ilgili talimatların verilmesi veya sürekli kontrol altında tutulması durumunda kullanabilir.
- ◆ Çocuklar, aletle oynamalarının önlemek amacıyla kontrol altında tutulmalıdır.

Titreşim

Teknik veriler ve uygunluk beyanati içerisinde belirtilen titreşim emisyon değerleri EN60745 tarafından belirlenen standart bir test yöntemine uygun olarak ölçülmektedir ve diğer bir aletle karşılaştırma yaparken kullanılabilir. Beyan edilen titreşim emisyon değeri aynı zamanda maruz kalmanın önceden değerlendirilmesinde de kullanılabilir.

Uyarı! Elektrikli aletin mevcut kullanımı sırasındaki titreşim emisyon değeri, aletin kullanım yöntemine bağlı olarak, beyan edilen değere göre farklılık sergileyebilir. Titreşim düzeyi belirlenen seviyenin üzerinde artış gösterebilir.

İşyerinde düzenli olarak elektrikli alet kullanan çalışanları korumak amacıyla 2002/44/EC tarafından getirilen elektrik güvenliği önlemlerini belirlemek üzere titreşime maruz kalmayı değerlendirirken, çalışma döngüsü içerisinde örneğin aletin kapalı olduğu ve aktif durumda olmasının yanı sıra boşta çalıştığı zamanlar gibi, bütün zaman dilimleri dahil olmak üzere mevcut kullanım durumu ve aletin kullanım şekli göz önünde bulundurularak değerlendirilmelidir.

Alet üzerindeki etiketler



Uyarı! Yaralanma riskini en aza indirmek için kullanıcı kullanım talimatlarını mutlaka okumalıdır.

Elektrik güvenliği



Bu alet çift yalıtımlıdır; bu yüzden hiçbir toprak kablosuna gerek yoktur. Her zaman şebeke geriliminin aletin üretim etiketinde belirlenmiş değerlere uygun olup olmadığını kontrol edin.

- ◆ Elektrik kablosu hasarlı ise, bir tehlike oluşmasını önlemek için üretici ya da yetkili

Black & Decker Servis Merkezi tarafından değiştirilmelidir.

ÖZELLİKLER

1. Açma/kapama düğmesi
2. Kesintisiz çalıştırma düğmesi
3. Testere bıçağı saklama bölmesi
4. Testere tabanı
5. Testere bıçağı destek silindiri

Montaj

Uyarı! Aşağıdaki işlemlerden herhangi birini gerçekleştirmeden önce, aletin kapalı ve fişinin çekili olduğundan ve testere bıçağının durduğundan emin olun. Kullanılmış testere bıçakları sıcak olabilir.

Testere bıçak destek silindirinin ayarlanması (Şekil A & B)

- ◆ Vidayı (9) gevşetin.
- ◆ Testere tabanını (4), bıçak destek silindiri (5) testere bıçağının arka kenarına (7) değene kadar ileri doğru itin.
- ◆ Vidayı (9) sıkın.

Testere bıçağının takılması ve sökülmesi (Şekil C)

- ◆ Testere bıçağını (7) takmadan veya sökmeden önce testere bıçağı destek silindiri (5), bıçağa dokunmamasını sağlamak için arka konuma ayarlanmalıdır.
- ◆ İki vidayı (6) gevşetin (sökmeyin).
- ◆ Testere bıçağını (7) dişleri dışarı bakacak şekilde tutun.
- ◆ Testere bıçağının sap kısmını (7) bıçak yuvasına (8) gittiği kadar sokun.
- ◆ İki vidayı (6) sırayla hafifçe sıkarak bıçağı konumlandırın ve ardından iki vidayı (6) sonuna kadar sıkın.
- ◆ Testere bıçağı destek silindirini (5) yukarıda açıklandığı gibi ayarlayın.
- ◆ Testere bıçağını (7) sökmek için her iki vidayı da (6) saatin aksi yönde bir tur çevirin.

Testere bıçağının saklanması (Şekil D)

- Testere bıçakları aletin arka kısmındaki saklama bölümünde (3) saklanabilir.
- ◆ Testere bıçağı saklama bölümünün (3) kapağını açın.
 - ◆ Testere bıçaklarını (7) saklama bölümünden (3) çıkartın veya bölmeye yerleştirin.
 - ◆ Testere bıçağı saklama bölümünün kapağını (3) kapatın ve mandalının kapandığından emin olun.

Toz Üfleme (Şekil E)

- ◆ Kesim sırasında kestiğiniz yeri görmenizi kolaylaştırmak için dekupaj testereniz, siz kesim yaparken çalışma alanındaki tozları temizleyen toz üfleme özelliği (10) ile donatılmıştır.

Diğer tehlikeler

Aletin kullanımıyla ilgili ekte sunulan güvenlik uyarılarına dahil olmayan ilave kalıcı riskler ortaya çıkabilir. Bu riskler, hatalı, uzun süreli kullanım vb. dolayısıyla ortaya çıkabilir. Emniyet tedbirlerini düzenleyen yönetmeliğin uygulanmasına ve emniyet sağlayıcı aygıtların kullanılmasına rağmen, başka belirli risklerden kaçınılamaz. Bunlar:

- ◆ Aletin dönen ve hareket eden parçalarına dokunma sonucu ortaya çıkan yaralanmalar.
- ◆ Herhangi bir parçayı, bıçak veya aksesuarı değiştirirken ortaya çıkan yaralanmalar.
- ◆ Aletin uzun süreli kullanılması sonucu ortaya çıkan yaralanmalar. Herhangi bir aleti uzun sürelerle kullanacaksanız düzenli olarak çalışmanıza ara verin.
- ◆ Duyma bozukluğu.
- ◆ Aleti kullanırken ortaya çıkan tozun solunması sonucu ortaya çıkan sağlık sorunları (örnek: ahşapta çalışırken, özellikle meşe, akgürgen ve MDF).

Kullanımı

Açılı kesimler için testere tabanının ayarlanması (Şekil F)

Testere tabanı (4) düz bir kesim veya 45°'lik açılı bir kesim yapacak şekilde ayarlanabilir.

- ◆ Vidayı (9) gevşetin (yaklaşık 3 tam tur).
- ◆ Testere tabanını (4) hafifçe kaldırıp geri çekin ve ardından tabandaki oyuk 45° konumuna ulaşana kadar döndürün.
- ◆ Vidayı (9) sıkın.

Testere tabanını (4) düz kesimlere göre sıfırlamak için:

- ◆ Vidayı (9) gevşetin.
- ◆ Testere tabanını (4) tabandaki oyuk 0° konumuna ulaşana kadar döndürün ve ardından testere tabanını ileri itin.
- ◆ Testere bıçağı destek silindirin (5) doğru ayarlandığından emin olun.
- ◆ Vidayı (9) sıkın.

Açılması ve kapatılması

- ◆ Aleti açmak için, açma/kapama düğmesine (1) basın.

- ◆ Aleti kapatmak için, açma/kapama düğmesini (1) bırakın.
- ◆ Sürekli çalışması için kesintisiz çalışma düğmesine (2) basın ve açma/kapama (1) düğmesini bırakın.
- ◆ Kesintisiz çalışma konumundayken aleti kapatmak için açma/kapama düğmesine (1) basın ve bırakın.

Kesme

Kesim sırasında aleti iki elinizle sıkıca tutun. Taban, kesilen malzemeye sıkıca dayanmalıdır. Bu, testerenin sıçramasını önleyecek, titreşimi azaltacak ve bıçağın kırılma olasılığını en aza indirecektir.

- ◆ Kesme işlemine başlamadan önce bıçağın bir kaç saniye boşta dönmesine izin verin.
- ◆ Kesme işlemi sırasında alete yalnızca hafif bir baskı uygulayın.

Yararlı tavsiyeler

Laminatların kesilmesi

Lamine yüzeyleri keserken, malzemenin görünen yüzünden hasara yol açabilecek parçalanmalar meydana gelebilir. Testere bıçaklarının çoğu yukarı doğru dönerek kestiği için, testere tabanının malzemenin görünen yüzeyine yerleştirilerek kesim yapıldığı hallerde ya aşağı yönde kesen bir testere bıçağı kullanın ya da:

- ◆ Hassas kesim bıçağı kullanın.
- ◆ Üzerinde çalıştığınız parçanın arka yüzünden kesin.
- ◆ Kıymıksız, temiz kesimler elde etmek için kesilen malzemenin her iki yüzeyine de bir parça kontrplak veya sert tahta parçaları yerleştirin ve kesim işlemini bu şekilde yapın.

Metal kesme

- ◆ Metal kesiminin ahşap kesiminden çok daha fazla zaman aldığını unutmayın.
- ◆ Metal kesmeye uygun bir testere bıçağı kullanın.
- ◆ Sacı keserken üzerinde çalıştığınız parçanın her iki yüzüne bir parça takoz sıkıştırın ve oluşan bloğun içinden kesin.
- ◆ Öngördüğünüz kesim hattı boyunca bir kat yağı sürün.

Bakım

Black & Decker aletiniz minimum bakımla uzun bir süre çalışacak şekilde tasarlanmıştır. Kesintisiz olarak memnuniyet verici bir şekilde çalışması, gerekli özenin gösterilmesine ve düzenli temizliğe bağlıdır.

Uyarı! Herhangi bir bakım işleminden önce, aletin kapalı ve fişinin çekili olduğundan ve testere bıçağının durduğundan emin olun.

- ◆ Aletinizdeki ve şarj cihazındaki havalandırma deliklerini yumuşak bir fırça veya kuru bir bezle düzenli olarak temizleyin.
- ◆ Motor muhafazasını nemli bir bezle düzenli olarak temizleyin. Aşındırıcı veya çözücü bazlı temizlik maddeleri kullanmayın.

Çevrenin korunması



Ayrı olarak atın. Bu ürün, normal evsel atıklarla birlikte atılmamalıdır.

Black & Decker ürününüzün değiştirilmesi gerektiğini düşünmeniz veya artık kullanılamaz durumda olması halinde onu, evsel atıklarla birlikte atmayın. Bu ürünü, ayrı olarak toplanacak şekilde atın.



Kullanılmış ürünlerin ve ambalajların ayrı olarak toplanması bu maddelerin geri dönüşüme sokularak yeniden kullanılmasına olanak tanır. Geri dönüşümlü maddelerin tekrar kullanılması çevre kirliliğinin önlenmesine yardımcı olur ve ham madde ihtiyacını azaltır.

Yerel yönetmelikler, elektrikli ürünlerin evlerden toplanıp belediye atık tesislerine aktarılması veya yeni bir ürün satın alırken perakende satıcı tarafından toplanması yönünde hükümler içerebilir.

Black & Decker, hizmet ömrünün sonuna ulaşan Black & Decker ürünlerinin toplanması ve geri dönüşüme sokulması için bir imkan sunmaktadır. Bu hizmetin avantajlarından faydalanmak için, lütfen, ürününüzü bizim adımıza teslim alacak herhangi bir yetkili servise iade edin.

Bu kılavuzda belirtilen listeden size en yakın yetkili tamir servisinin yerini öğrenebilirsiniz. Ya da, alternatif olarak internet'ten Black & Decker yetkili tamir servislerinin listesini ve satış sonrası hizmetlerimizle ilgili tüm bilgiler ve temas bilgilerine aşağıdaki siteden ulaşabilirsiniz.

www.2helpU.com.

Teknik özellikleri

		AST7XC TYPE 2	KS495 TYPE 1	KS500 TYPE 1
Voltaj	V_{AC}	230	230	230
Giriş gücü	W	380	380	400
Yüksüz hızı	dev/dak	3000	3000	3000
Maks. kesme derinliği				
Ahşap	mm	60	60	60
Çelik	mm	5	5	5
Alüminyum	mm	10	10	10
Ağırlık	kg	1,5	1,5	1,5

EN 60745'e göre ses basıncı düzeyi:

L_{PA} (ses basıncı) 87 dB(A), belirsizlik (K) 3 dB(A)
 L_{WA} (akustik güç) 98 dB(A), belirsizlik (K) 3 dB(A)

EN 60745'e göre tespit edilen toplam titreşim değerleri (üç yönün vektör toplamı):

Ahşap kesme ($a_{h,CW}$) 11,5 m/s², belirsizlik (K) 1,5 m/s², Sac metal kesme ($a_{h,CM}$) 12,8 m/s², belirsizlik (K) 1,5 m/s²

AT Uygunluk Beyanati MAKİNE DİREKTİFİ



AST7XC, KS495, KS500

Black & Decker, «teknik özellikleri» bölümünde açıklanan bu ürünlerin aşağıda belirtilen yönergelere uygun olduğunu beyan eder: 2006/42/EC, EN60745-1, EN60745-2-11

Daha fazla bilgi için, lütfen aşağıdaki adresten Black & Decker ile irtibata geçin veya kılavuzun arkasına bakın.

Teknik dosyanın hazırlanmasından aşağıda imzası bulunan kişi sorumludur ve ilgili kişi bu bildirim Black & Decker adına yapmaktadır.

Kevin Hewitt
Başkan Yardımcısı,
Global Mühendislik
Black & Decker Europe,
210 Bath Road, Slough,
Berkshire, SL1 3YD
İngiltere
12-04-2010

Garanti

Black & Decker, ürünlerinin kalitesine güvenmekte ve üstün bir garanti sunmaktadır. Ayrıca bu garanti hiçbir şekilde garanti ile ilgili kanuni haklarınızı ihlal etmez ve haklarınızı hiç bir şekilde kısıtlamaz. İşbu garanti Avrupa Birliği'ne üye ülkeler ile Avrupa Serbest Ticaret Bölgesi sınırları dahilinde geçerlidir.

Bir Black & Decker ürünün kusurlu malzeme, işçilik veya uygunluk eksikliği nedeniyle satın alındığı tarihten sonraki 24 ay içerisinde arızalanması halinde Black & Decker, müşterinin en az düzeyde rahatsızlık duymasını sağlamak amacıyla, aşağıdaki durumlar haricinde kusurlu parçaları değiştirmeyi, adil bir şekilde aşınmış ve yıpranmış ürünleri tamir etmeyi veya değiştirmeyi garanti eder. Ancak bu belirtilenler şu durumlar dışında geçerlidir:

- ◆ Ürün ticari veya profesyonel amaçlarla kullanılmışsa veya kiraya verilmişse;
- ◆ Ürün yanlış veya amaç dışı kullanılmışsa;
- ◆ Ürün, yabancı nesnelere, maddelere ya da kazalara nedeniyle hasar görmüştür;
- ◆ Yetkili tamir servisleri veya Black & Decker servis ekibinden başkası tarafından tamir edilmeye çalışılmışsa.

Garanti talebinde bulunmak için, satıcıya veya yetkili tamir servisine satın aldığınıza dair ispat sunmalısınız. Fatura ve garanti kartı gerekmektedir. Bu kılavuzda belirtilen listeden size en yakın yetkili tamir servisinin yerini öğrenebilirsiniz. Ya da, alternatif olarak internet'ten Black & Decker yetkili tamir servislerinin listesini ve satış sonrası hizmetlerimizle ilgili tüm bilgiler ve temas bilgilerine aşağıdaki siteden ulaşabilirsiniz.

www.2helpU.com

Sanayi ve Ticaret Bakanlığı tebliğince kullanım ömrü 10 yıldır.

Türkiye Distribütörü

KALE HIRDAVAT VE MAKİNA A.Ş.
Defterdar Mah.Savaklar Cad. No. 15
34050 Edirnekapı Eyüp İstanbul

No.	İl	Yetkili Servis	Adres	Telefon
1	Adana	Emin Elektrik	Kızılay Cad. 6.Sok. No.9/D	0322 351 80 46
2	Amasya	Teknik Bobinaj	Beyazıt Paşa Mah. Mehmet Vorinli Cad. No.20/B	0358 218 26 82
3	Ankara	Orhan Bobinaj	Yalınç Sok. No.17 Site1er	0312 350 95 29
4	Ankara	Yiğit Bobinaj	Merkez 668.Sok. Eminel Yapı Koop. No.8 İvedik Ostim	0312 395 05 37
5	Antalya	E.B.A. Elektrik	Sanayi Sitesi 682.Sok. No.38	0242 345 36 22
6	Antalya - Alanya	Abaloğlu Bobinaj	Sanayi Sitesi Yeni Yol Girişi No.8	0242 512 02 16
7	Aydın	Taciroğlu Bobinaj	2.Sanayi Sitesi 3.Sok. No.55	0256 219 43 30
8	Aydın - Kuşadası	Özgür Bobinaj	Kuşadası Sanayi Sitesi J.Blok No.13	0256 622 13 73
9	Balıkesir	Tezger Bobinaj	Küçük Sanayi Bölgesi Dökmeciler Sok. No.15	0266 241 63 85
10	Balıkesir - Bandırma	Küre Bobinaj	Atatürk Cad. No.104 Bandırma	0266 718 46 79
11	Balıkesir - Edremit	Özkan Bobinaj	Cennet Ayağı Mah. Demirbaş Sitesi A4-B1. No.2/B	0266 374 20 29
12	Bursa	Vokart	Gazlılar Cad. Erikl Bahçe Sok. No.6/B	0224 254 48 75
13	Çanakkale	Kısacık Bobinaj	Namık Kemal Mah. Kaynak Sok. No.41	0286 217 96 71
14	Çorum	Emek Bobinaj	Küçük Sanayi Sitesi 23.Cad. No.5/C Cami yanı	0364 234 68 84
15	Denizli	Örsler Bobinaj	Bakırlı Mah. 171.Sok. Sedef Çarşısı No.9-10	0258 261 42 74
16	Diyarbakır	Çetsan Elektrik	İnönü Cad. Ziya Gökalp Sok. No.45	0412 237 29 04
17	Düzce	Yıldız Makine	Burhaniye Mah. Gen. Kazım Sok. No.10	0380 514 70 56
18	Edirne	Efe Bobinaj	Sanayi Sitesi 22.Blok No.5	0284 225 35 73
19	Erzincan	Ümit Elektrik Makine	Sanayi Çarşısı 767.Sok. No.71	0446 224 08 01
20	Eskişehir	Meriç Bobinaj	Akçağlan Mah. Meriç Sok. No.4/A	0222 230 94 44
21	Gaziantep	Karashaşin Bobinaj	Şenyurt Cad. No.35 Şahinbey	0342 231 17 33
22	Isparta	Işık Bobinaj	Piri Mehmet Mah. 107.Cad. No.5	0246 223 20 28
23	İçel - Mersin	Şekerler Elektrik Bobinaj	Nusratiye Mah. 5005.Sok. No.20/A	0324 336 70 98
24	İçel - Mersin	Üniversal Bobinaj	Nusratiye Mah. Çiftçiler Cad. 68.Sok. No.19	0324 233 44 29
25	İstanbul	AKEL Elektrik Servis Hiz.	Yukarı Dudullu Nato Yolu Cad. No.109B Ümraniye	0216 540 53 54
26	İstanbul	Fırat Dış Ticaret	Tersane Cad. Kut Han No.38 K.3 D.307-308 Karaköy	0212 252 93 43
27	İstanbul	Birlik Elektromekanik	Perpa Tic. Merkezi B.Blok Mavi Avlu Kat.4 No.318 Okmeydanı	0212 222 94 18
28	İstanbul	Kardeşler Bobinaj	Çağlayan Mah. Sinanpaşa Cad. No.5 Çağlayan	0212 224 97 54
29	İstanbul	Mert Elektrik Ltd.	İkitelli Org. Sanayi Demirciler Sitesi D2.Blok No.280 İkitelli	0212 549 65 78
30	İstanbul	SVS Teknik	İstasyon Cad. GİBTAŞ Sanayi Sitesi No.24 Kat 2 İçmeler Tuzla	0216 446 69 39
31	İstanbul	Tarik Makina Ltd.	Bağdat Cad. Adalı Sok. No.101/10 Maltepe	0216 370 21 11
32	İstanbul	Tekniker Bobinaj	Birlik Sanayi Sitesi 7.Cad. No.2 Beylikdüzü	0212 875 19 31
33	İzmir	Birlik Bobinaj	2824 Sok. No.18 Halkapınar 1.Sanayi Sitesi	0232 458 39 42
34	İzmir	Boro Civata	1203/2.Sok. No.B2 Gıda Çarşısı Yenisehir	0232 469 80 70
35	İzmir	Doruk Hırdavat	1426.Sok. No.14 Hurdacılar Sitesi Doğanlar Bornova	0232 478 14 12
36	Kayseri	Akın Elektrik	Eski Sanayi Bölgesi 5.Cad. No.8	0352 336 41 23
37	Kocaeli - Gebze	Gülsoy Elektrik	Menzilhane Cad. 1111.Sok. No.7	0262 646 92 49
38	Kocaeli - İzmit	Efe Elektrik Bobinaj	Körfez Küçük Sanayi Sitesi 12.Blok No.13	0262 335 18 94
39	Konya	Murat Bobinaj	Karatay Sanayi Çiçekli Sok. No.83	0332 235 64 63
40	Konya	Sözenler Bobinaj	Fevzi Çakmak Mah. Komsan İş Mer. 10562 Sok. No.62	0332 342 63 18
41	Kütahya	Doğan Bobinaj	Yeni Sanayi Sitesi 19.Sok. No.28/1	0274 231 22 00
42	Malatya	Özer Bobinaj	Yeni Sanayi Sitesi 2.Cad. No.95	0422 336 39 53
43	Muğla - Bodrum	Bodrum Makine	Türkuyusu Mah. Etem Demiröz Sok. Sanayi Sitesi 12	0252 316 28 51
44	Muğla - Marmaris	Başaran Teknik	Beldibi Cad. No.5/C	0252 412 85 11
45	Neşehir	Çiftgüç Elektrik	Yeni Sanayi Sitesi 8.Blok No.53	0384 213 19 96
46	Sakarya - Adapazarı	Engin El. Bobinaj	Papuççular Mah. Papuççular Cad. No.40	0264 273 87 69
47	Samsun	Akış Bobinaj	Sanayi Sitesi Ulus Cad. No.31B	0362 238 07 23
48	Sivas	Bayraktar Elektrik	Yeni Çarşı No.72C	0346 221 47 55
49	Tekirdağ - Çorlu	Ümit Elektrik	Camiatik Mah. Ereğli Sok. No.1	0282 653 27 77
50	Tokat	Çetin Elektrik	Sanayi Sitesi No.22 Cami Altı	0356 214 63 07
51	Trabzon	Makina Market	Rize Cad. No.71 Değirmendere	0462 328 14 80
52	Uşak	Zengin Bobinaj	İsliçe Mah. Ürem Sok. No.10/C	0276 227 27 46
53	Yalova	Kale İnşaat	Merkez Mah. Devlet Yolu Cad. No.70 Paytazdere Yalova	0226 461 22 42
54	Zonguldak - KDZ Ereğli	Tümen Bobinaj	Kışla Sanayi Sitesi D.Blok No.17	0372 323 74 97

