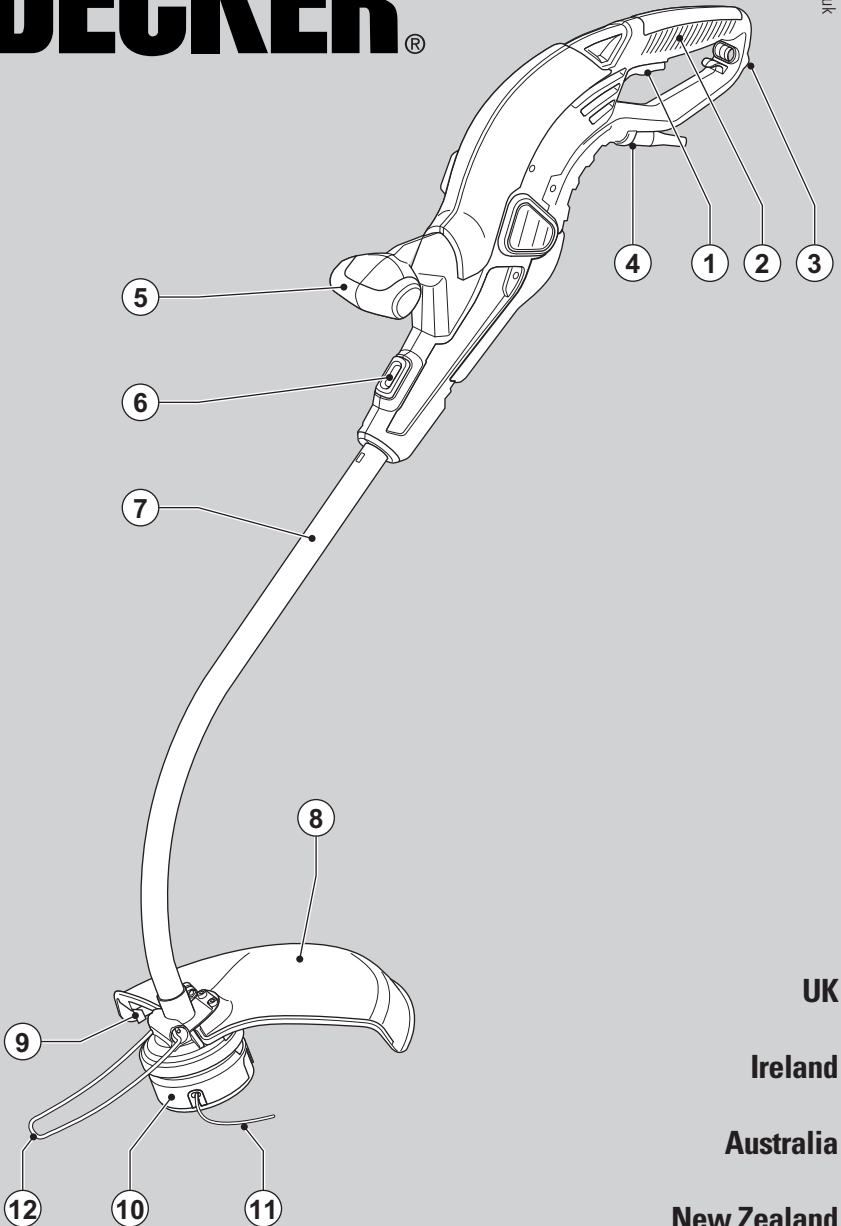




BLACK & DECKER®

www.blackanddecker.co.uk

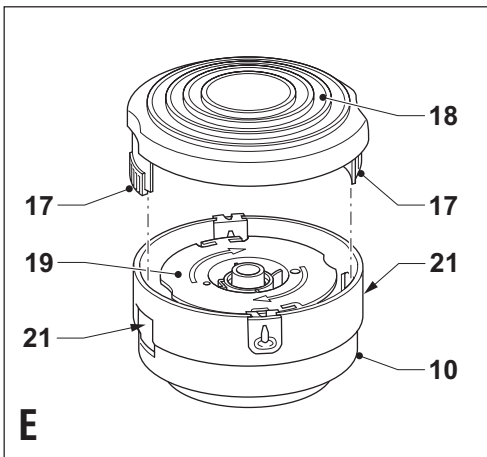
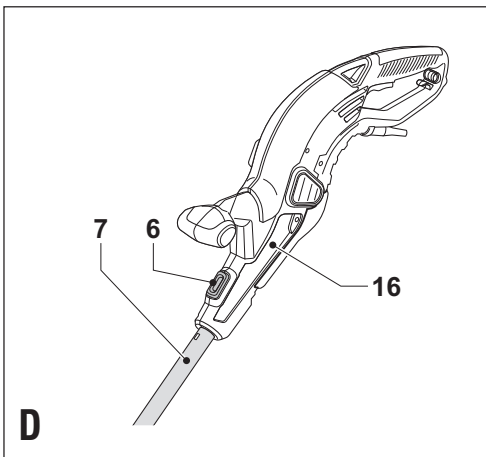
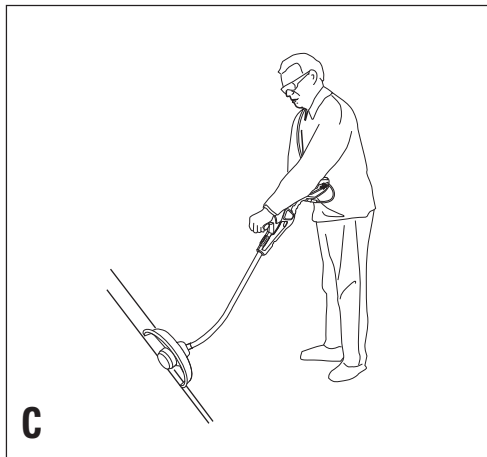
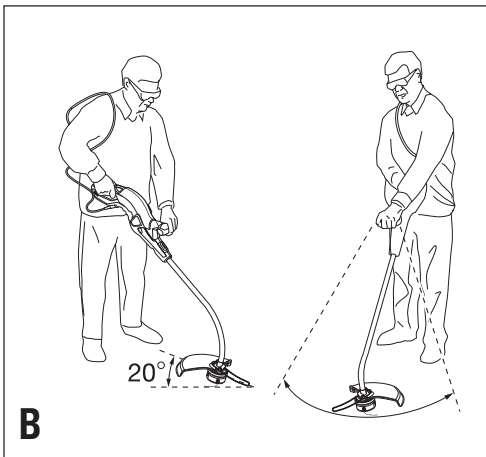
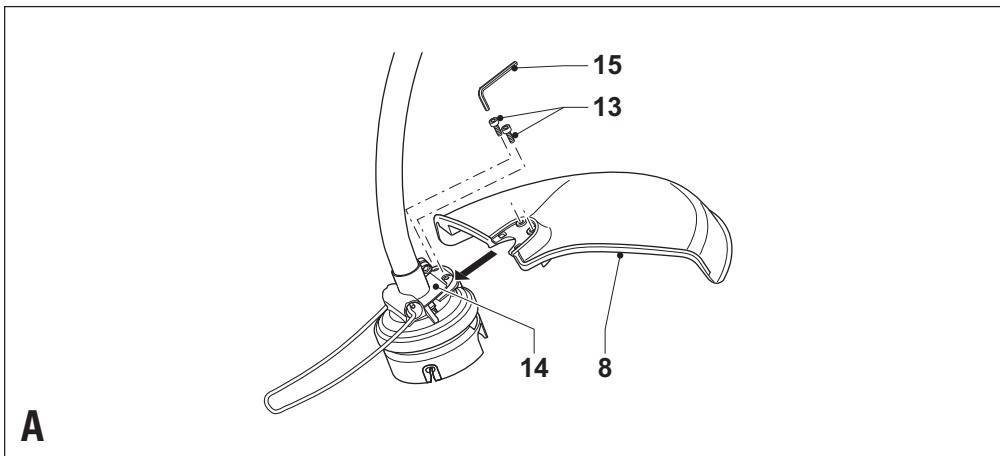


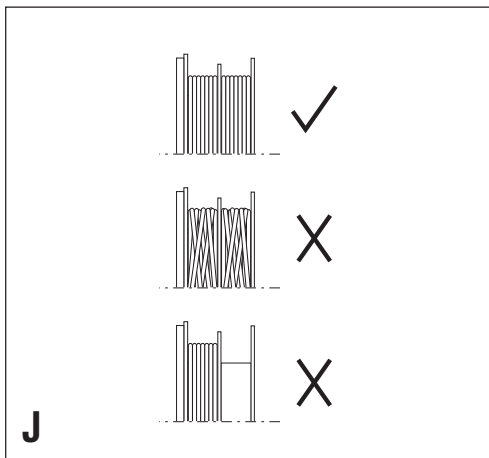
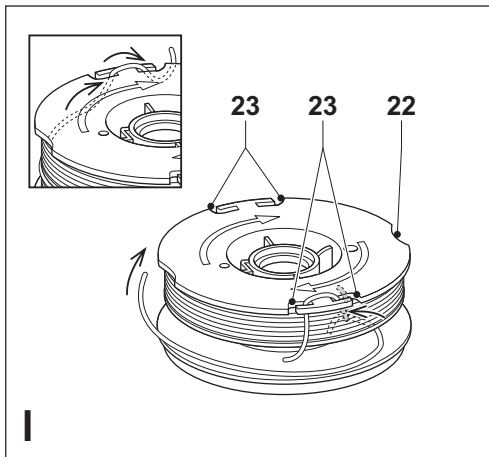
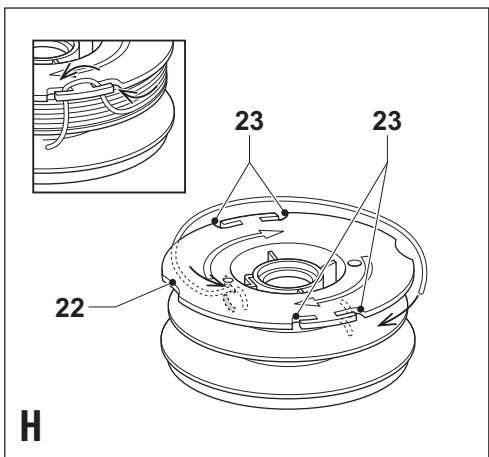
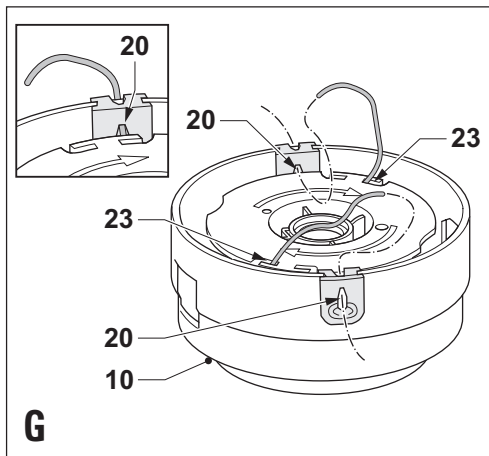
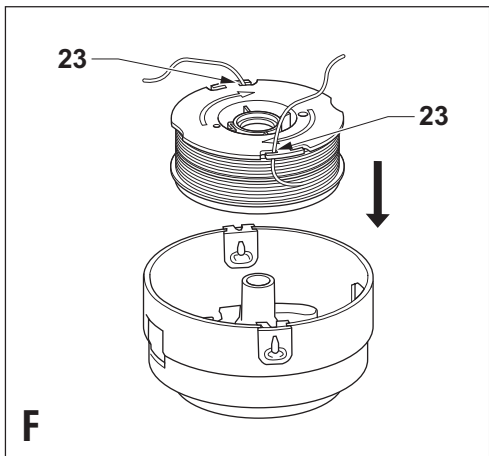
UK

Ireland

Australia

New Zealand





Intended use

Your Black & Decker strimmer GL701/GL716/GL720/GL741 has been designed for trimming and finishing lawn edges and to cut grass in confined spaces. This tool is intended for consumer use only.

Safety instructions

- ◆ **Warning!** When using mains-powered tools, basic safety precautions, including the following, should always be followed to reduce the risk of fire, electric shock, personal injury and material damage.
- ◆ Read all of this manual carefully before operating the tool.
- ◆ Retain this manual for future reference.
- ◆ Remove the plug from the socket before carrying out any adjustment, servicing or maintenance.

Keep work area clean

Cluttered areas and benches can cause accidents.

Consider work area environment

Do not expose the tool to rain. Do not use the tool in damp or wet conditions. Keep the work area well lit. Do not use the tool where there is a risk of causing fire or explosion, e.g. in the presence of flammable liquids and gases.

Keep children away

Do not allow children, visitors or animals to come near the work area or to touch the tool or mains cable.

Dress properly

Do not wear loose clothing or jewellery, as these can be caught in moving parts. Preferably wear rubber gloves and non-slip footwear when working outdoors. Wear protective hair covering to keep long hair out of the way.

Personal protection

Always use safety glasses. Use a face or dust mask whenever the operations may produce dust or flying particles. Hearing protection should be worn.

Guard against electric shock

Prevent body contact with earthed or grounded surfaces (e.g. pipes, radiators, cookers and refrigerators). Electric safety can be further improved by using a high-sensitivity (30 mA / 30 mS) residual current device (RCD).

Do not overreach

Keep proper footing and balance at all times.

Stay alert

Watch what you are doing. Use common sense. Do not operate the tool when you are tired.

Secure workpiece

Use clamps or a vice to hold the workpiece. It is safer and it frees both hands to operate the tool.

Connect dust extraction equipment

If devices are provided for the connection of dust extraction and collection facilities, ensure that these are connected and properly used.

Remove adjusting keys and wrenches

Always check that adjusting keys and wrenches are removed from the tool before operating the tool.

Extension cables

Before use, inspect the extension cable and replace if damaged. When using the tool outdoors, only use extension cables intended for outdoor use. Up to 30 m of Black & Decker extension cable can be used without loss of power.

Use appropriate tool

The intended use is described in this instruction manual. Do not force small tools or attachments to do the job of a heavy-duty tool. The tool will do the job better and safer at the rate for which it was intended. Do not force the tool. Do not use the tool for purposes not intended, for example, do not use a circular saw to cut tree limbs or logs.

Warning! The use of any accessory or attachment or performance of any operation with this tool other than those recommended in this instruction manual may present a risk of personal injury.

Check for damaged parts

Before use, carefully check the tool and mains cable for damage. Check for misalignment and seizure of moving parts, breakage of parts, damage to guards and switches and any other conditions that may affect its operation. Ensure that the tool will operate properly and perform its intended function. Do not use the tool if any part is damaged or defective. Do not use the tool if the switch does not turn it on and off. Have any damaged or defective parts repaired or replaced by an authorised repair agent. Never attempt any repairs yourself.

Unplug the tool

Unplug the tool when it is not in use, before changing any parts of the tool, accessories or attachments and before servicing.

Avoid unintentional starting

Do not carry the tool with a finger on the on/off switch. Be sure that the tool is switched off when plugging in.

Do not abuse cord

Never carry the tool by its cord or pull it to disconnect from the socket. Keep the cord away from heat, oil and sharp edges.

Store idle tools

When not in use, tools should be stored in a dry, locked up or high place, out of reach of children.

Maintain tools with care

Keep cutting tools sharp and clean for better and safer performance. Follow the instructions for maintenance and changing accessories. Keep handles and switches dry, clean and free from oil and grease.

Repairs

This tool complies with relevant safety requirements. Repairs should only be carried out by qualified persons using original spare parts; otherwise this may result in considerable danger to the user.

Electrical safety



This tool is double insulated; therefore no earth wire is required. Always check that the power supply corresponds to the voltage on the rating plate.

- ◆ This appliance is not intended for use by young or infirm persons without supervision. Children must be supervised to ensure they do not play with the appliance.
- ◆ If the supply cord is damaged, it must be replaced by the manufacturer or an authorised Black & Decker Service Centre in order to avoid a hazard.

Additional safety instructions for grass trimmers

The following warning symbols are found on the tool:



Read the manual prior to operation.



Wear safety glasses or goggles when operating this tool.



Keep people and animals at least 6 m away from the cutting area.



Do not expose the tool to rain or high humidity.

- ◆ Be familiar with the controls and the proper use of the equipment.
- ◆ Only use the machine in daylight or good artificial light.

- ◆ Before use check the supply and extension cord for any signs of damage or ageing. If the cord becomes damaged during use, disconnect the cord from the supply immediately. **DO NOT TOUCH THE CORD BEFORE DISCONNECTING THE SUPPLY.**
- ◆ Do not use the lawn trimmer (edge trimmer), if the cords are damaged or worn.
- ◆ Wear stout shoes or boots to protect your feet.
- ◆ Wear long trousers to protect your legs.
- ◆ Before using the tool, check that your cutting path is free from sticks, stones, wire and any other obstacles.
- ◆ Only use the tool in the upright position, with the cutting line near the ground. Never switch the tool on in any other position.
- ◆ Move slowly when using the tool. Be aware that freshly cut grass is damp and slippery.
- ◆ Do not work on steep slopes. Work across the face of slopes, not up and down.
- ◆ Never cross gravel paths or roads while the tool is running.
- ◆ Never touch the cutting line while the tool is running.
- ◆ Do not put the tool down until the cutting line has come to a complete standstill.
- ◆ Use only the appropriate type of cutting line. Never use metal cutting line or fishing line.
- ◆ Be careful not to touch the line trimming blade.
- ◆ Take care to keep the mains cable away from the cutting line. Always be aware of the position of the cable.
- ◆ Keep hands and feet away from the cutting means at all times and especially when switching on the motor.
- ◆ Warning. Cutting elements continue to rotate after the motor is switched off.
- ◆ Never operate the machine with damaged guards or without the guards in place.
- ◆ Always ensure that the ventilation openings are kept clear of debris.

Features

This tool includes some or all of the following features.

1. On/off switch
2. Handle
3. Cable restraint
4. Power inlet
5. Secondary handle
6. Adjustment button
7. Tube
8. Guard
9. Line trimming blade
10. Spool housing
11. Cutting line
12. Edge guide

Assembly

Warning! Before assembly, make sure that the tool is switched off and unplugged.

Fitting the guard (fig. A)

- ◆ Remove the hexagonal screws (13) from the head (14).
- ◆ Place the guard (8) onto the tool as shown.
- ◆ Firmly press the guard until it snaps into place.
- ◆ Secure the guard with the hexagonal screws.
- ◆ Tighten the hexagonal screws using the hexagonal key (15) provided.

Warning! Never use the tool unless the guard is properly fitted.

Releasing the cutting line

In transit, the cutting line is taped to the spool housing.

- ◆ Remove the tape holding the cutting line (11) to the spool housing (10).

Connecting the tool to the mains

- ◆ Connect the female plug of a suitable extension cable to the power inlet (4).
- ◆ Loop the cable through the cable restraint (3).
- ◆ Insert the mains plug into a mains outlet.

Warning! The extension cable must be suitable for outdoor use.

Use

Warning! Let the tool work at its own pace. Do not overload.

Setting the tool to trimming or edging mode (fig. B - D)

The tool can be used in trimming mode as shown in fig. B or in edging mode to trim overhanging grass along lawn edges and flower beds as shown in fig. C.

Trimming mode (fig. B & D)

For trimming, the trimmer head should be in the position shown in fig. B. If it is not:

- ◆ Depress the adjustment button (6).
- ◆ Rotate the tube (7), while releasing the button.
- ◆ When the head is in position, the button will lock into place.

Note: The tube will only rotate in one direction.

Edging mode (fig. C & D)

For edging, the trimmer head should be in the position shown in fig. C. If it is not:

- ◆ Depress the adjustment button (6).
- ◆ Rotate the tube (7), while releasing the button.
- ◆ When the head is in position, the button will lock into place.

Note: The tube will only rotate in one direction.

Adjusting the height of the tool (fig. D)

This tool has a telescopic mechanism, allowing you to set it to a comfortable height. There are three height settings.

To adjust the height setting, proceed as follows:

- ◆ Depress the adjustment button (6).
- ◆ Gently pull the tube (7) out of the motor housing (15) to the desired height, while releasing the button.
- ◆ When the tube is in position, the button will lock into place.

Switching on and off

- ◆ To switch the tool on, squeeze the trigger lever (1).
- ◆ To switch the tool off, release the trigger lever.

Warning! Never attempt to lock the trigger lever in the on position.

Hints for optimum use

General

- ◆ In order to achieve optimum cutting results, only cut dry grass.

Trimming

- ◆ Hold the tool as shown in fig. B.
- ◆ Gently swing the trimmer from side to side.
- ◆ When cutting long grass, work in stages from the top. Take small cuts.
- ◆ Keep the tool away from hard objects and delicate plants.
- ◆ If the tool starts running slowly, reduce the load.

Edging

Optimum cutting results are achieved on edges deeper than 50 mm.

- ◆ Do not use the tool to create edges. To create edges, use an edging spade.
- ◆ Guide the tool as shown in fig. C.
- ◆ To make a closer cut, slightly tilt the tool.

Maintenance

Your tool has been designed to operate over a long period of time with a minimum of maintenance. Continuous satisfactory operation depends upon proper tool care and regular cleaning.

Warning! Before performing any maintenance, switch off and unplug the tool.

- ◆ Regularly clean the ventilation slots in your tool using a soft brush or dry cloth.
- ◆ Regularly clean the cutting line and spool using a soft brush or dry cloth.
- ◆ Regularly use a blunt scraper to remove grass and dirt from the underneath of the guard.

Fitting a new spool of cutting line (fig. E & G)

Replacement spools of cutting line are available from your Black & Decker dealer (cat. no. 6495).

- ◆ Keep the tabs (17) depressed and remove the spool cover (18) from the housing (10).
- ◆ Remove the empty spool (19) from the spool housing.
- ◆ Remove any dirt and grass from the spool cover and housing.
- ◆ Place the new spool onto the boss in the spool housing with the lines parked in the slots (23) (fig. F).
- ◆ Insert the line ends through the appropriate eyelets (20) in the housing (10). Pull the slack line until it pulls out of the parked slots (23) (fig. G).
- ◆ Align the tabs (17) on the spool cover with the cut outs (21) in the housing.
- ◆ Push the cover (18) onto the housing (10) until it snaps securely into place.

Note: Make sure that the cover is positioned, listen for two audible clicks to ensure both tabs (17) are correctly located.

Warning! If the cutting lines protrude beyond the trimming blade (9), cut them off so that they just reach the blade.

Winding new line onto an empty spool (fig. H - J)

You may wind new cutting line onto an empty spool.

Replacement packs of cutting line are available from your Black & Decker dealer (cat. no. A6171).

- ◆ Remove the empty spool from the tool as described above.
- ◆ Remove any remaining cutting line from the spool.
- ◆ First wind new line onto the uppermost part of the spool:
 - Feed 2 cm of cutting line into one of the slots in the upper section of the spool as shown.
 - Wind the cutting line onto the spool in the direction of the arrow. Make sure to wind the line on neatly and in layers. Do not criss-cross.
 - When the wound cutting line reaches the recesses (21), cut the line.
 - Temporarily park the line in the slots (22) on one side of the spool as shown.
- ◆ Repeat the above procedure for the second cutting line on the lower section of the spool. Park the line in the unused slots (22).
- ◆ Proceed as described above to fit the spool on the tool. Do not forget to release the cutting line from the parking slots (22).

Warning! Only use the appropriate type of Black & Decker cutting line. Ensure that cutting line is present in both sections of the spool.

Mains plug replacement (U.K. & Ireland only)

If a new mains plug needs to be fitted:

- ◆ Safely dispose of the old plug.
- ◆ Connect the brown lead to the live terminal in the new plug.
- ◆ Connect the blue lead to the neutral terminal.

Warning! No connection is to be made to the earth terminal. Follow the fitting instructions supplied with good quality plugs. Recommended fuse: 5 A.

Troubleshooting

If your tool seems not to operate properly, follow the instructions below. If this does not solve the problem, please contact your local Black & Decker repair agent.

Warning! Before proceeding, unplug the tool.

Tool runs slowly

- ◆ Check that the spool housing can rotate freely. Carefully clean it if necessary.
- ◆ Check that the cutting line does not protrude more than 11 cm from the spool housing. If it does, cut it off so that it just reaches the line trimming blade.

Automatic line feed does not work

- ◆ Keep the tabs depressed and remove the spool cover from the housing.
- ◆ Pull the cutting line until it protrudes 11 cm from the housing. If insufficient cutting line is left on the spool, install a new spool of cutting line as instructed above.
- ◆ Align the tabs on the spool cover with the cut outs in the housing.
- ◆ Push the cover onto the housing until it snaps securely into place.
- ◆ If the cutting line protrudes beyond the trimming blade, cut it off so that it just reaches the blade.

If the automatic line feed still does not work or the spool is jammed, try the following suggestions:

- ◆ Carefully clean the spool cover and housing.
- ◆ Remove the spool and check if the lever can move freely.
- ◆ Remove the spool and unwind the cutting line, then wind it on neatly again as described above. Replace the spool as instructed.

Protecting the environment



Separate collection. This product must not be disposed of with normal household waste.

Should you find one day that your Black & Decker product needs replacement, or if it is of no further use to you, do not dispose of it with household waste. Make this product available for separate collection.



Separate collection of used products and packaging allows materials to be recycled and used again. Re-use of recycled materials helps prevent environmental pollution and reduces the demand for raw materials.

Local regulations may provide for separate collection of electrical products from the household, at municipal waste sites or by the retailer when you purchase a new product.

Black & Decker provides a facility for the collection and recycling of Black & Decker products once they have reached the end of their working life. To take advantage of this service please return your product to any authorised repair agent who will collect them on our behalf.

You can check the location of your nearest authorised repair agent by contacting your local Black & Decker office at the address indicated in this manual. Alternatively, a list of authorised Black & Decker repair agents and full details of our after-sales service and contacts are available on the Internet at: www.2helpU.com

Technical data

		GL701	GL716
Voltage	V_{AC}	230	230
Power input	W	550	580
No-load speed	min^{-1}	6,500	6,500
Weight	kg	3.2	3.2

		GL720	GL741
Voltage	V_{AC}	230	230
Power input	W	600	700
No-load speed	min^{-1}	6,500	6,500
Weight	kg	3.2	3.2

EEC declaration of conformity

GL701/GL716/GL720/GL741

Black & Decker declares that these products conform to: 98/37/EC, 89/336/EEC, 73/23/EEC, EN 60335, EN 55014, EN 61000,

2000/14/EC, Annex VIII, Lawn trimmer, $L \leq 50$ No. 0344, KEMA Quality B.V., Utrechtseweg 310, 6802 ED Arnhem, The Netherlands

Level of sound pressure, measured according to 2002/14/EC:
 L_{pA} (sound pressure) 81 dB(A), L_{WA} (acoustic power) 95 dB(A),
 L_{WA} (guaranteed) 96 dB(A)

Hand/arm weighted vibration value according to EN 786: 7.5 m/s^2

Kevin Hewitt
 Director of Consumer Engineering
 Spennymoor, County Durham DL16 6JG,
 United Kingdom
 1-11-2005

UK patent application no. 059745.6
 European Community design application nos.
 340385-0001 & 339544-0001

Guarantee

Black & Decker is confident of the quality of its products and offers an outstanding guarantee. This guarantee statement is in addition to and in no way prejudices your statutory rights. The guarantee is valid within the territories of the Member States of the European Union and the European Free Trade Area.

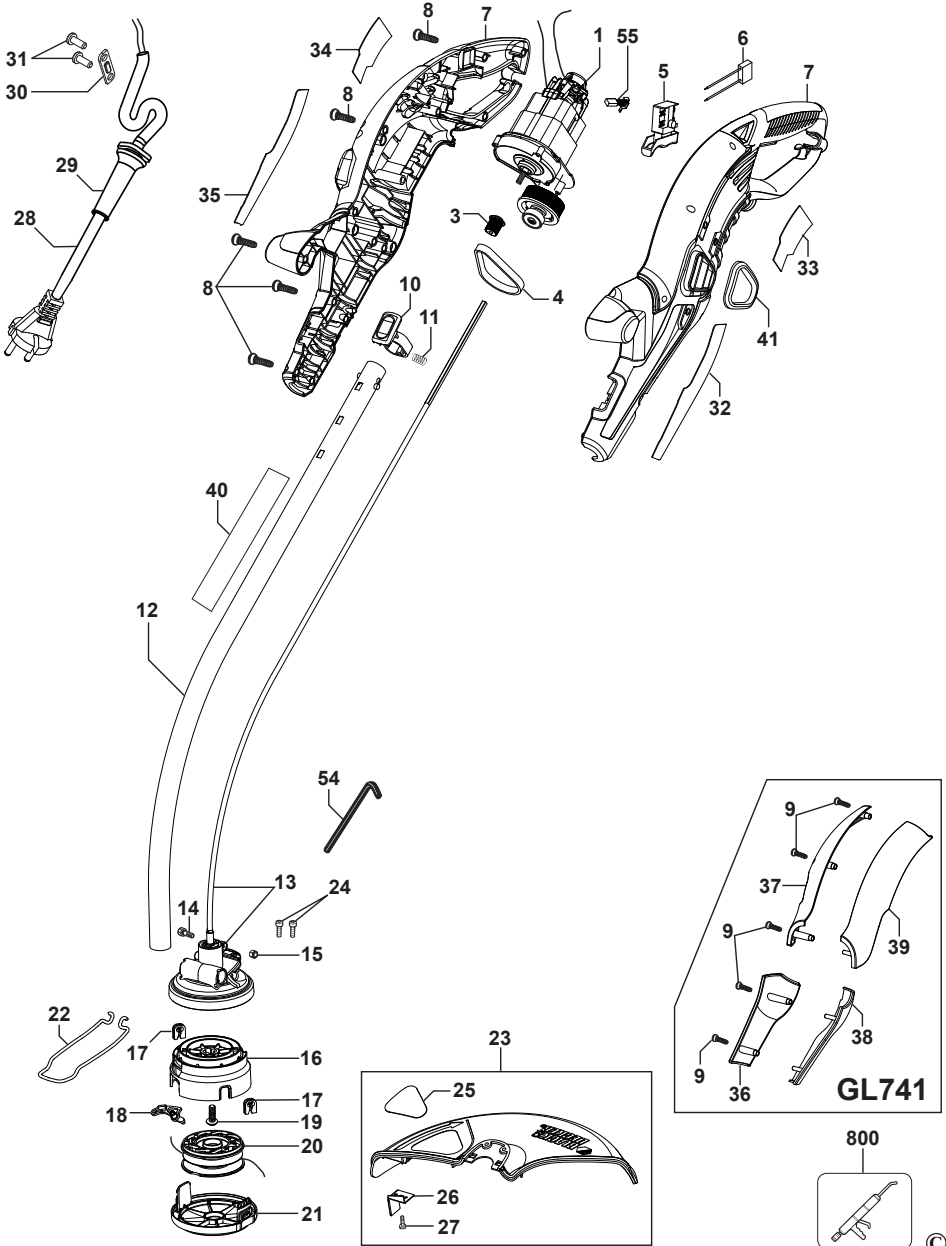
If a Black & Decker product becomes defective due to faulty materials, workmanship or lack of conformity, within 24 months from the date of purchase, Black & Decker guarantees to replace defective parts, repair products subjected to fair wear and tear or replace such products to ensure minimum inconvenience to the customer unless:

- ◆ The product has been used for trade, professional or hire purposes;
- ◆ The product has been subjected to misuse or neglect;
- ◆ The product has sustained damage through foreign objects, substances or accidents;
- ◆ Repairs have been attempted by persons other than authorised repair agents or Black & Decker service staff.

To claim on the guarantee, you will need to submit proof of purchase to the seller or an authorised repair agent. You can check the location of your nearest authorised repair agent by contacting your local Black & Decker office at the address indicated in this manual. Alternatively, a list of authorised Black & Decker repair agents and full details of our after-sales service and contacts are available on the Internet at:

www.2helpU.com

Please visit our website **www.blackanddecker.co.uk** to register your new Black & Decker product and to be kept up to date on new products and special offers. Further information on the Black & Decker brand and our range of products is available at **www.blackanddecker.co.uk**



Australia

Black & Decker (Australia) Pty. Ltd. Tel. 03-8720 5100
20 Fletcher Road, Mooroolbark, Fax 03-9727 5940
Victoria, 3138

New Zealand

Black & Decker Tel. +64 9 259 1133
5 Te Apunga Place Fax +64 9 259 1122
Mt Wellington
Auckland 1060

United Kingdom

Black & Decker Tel. 01753 511234
210 Bath Road Fax 01753 551155
Slough, Berkshire SL1 3YD Helpline 01753 574277