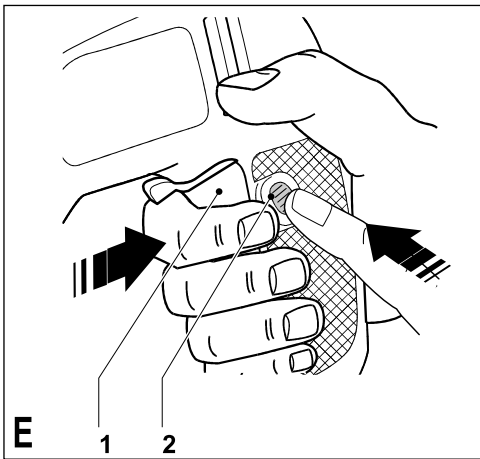
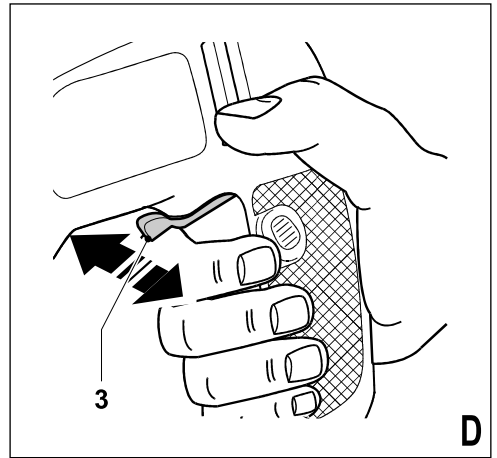
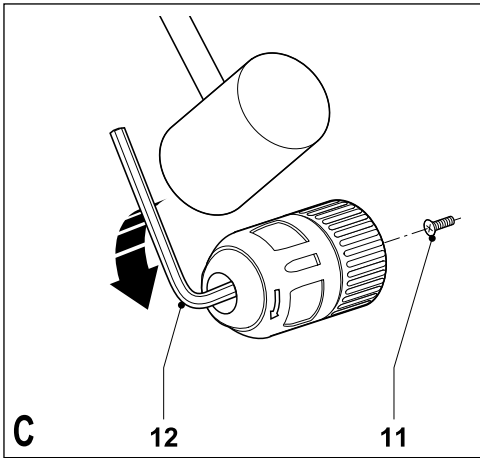
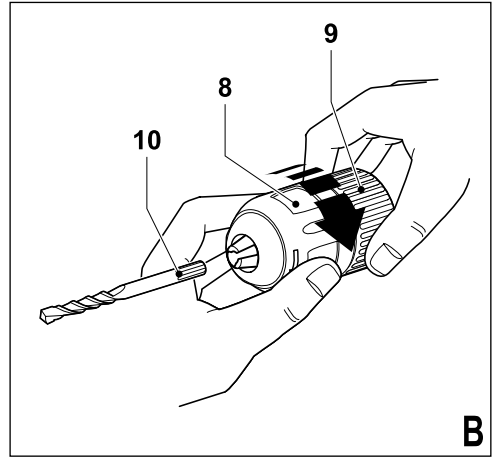
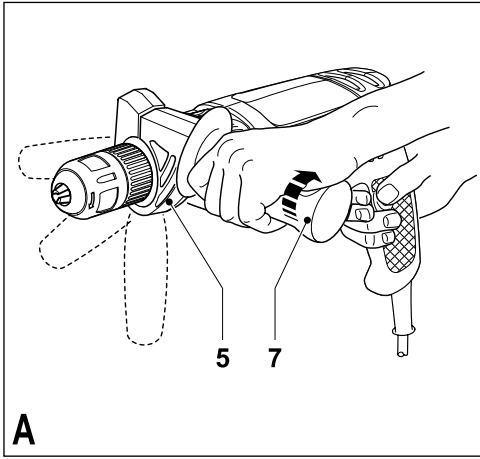


English	3
Deutsch	8
Français	14
Čeština	19
Magyar	25
Polski	32
Slovenčina	38
Русский язык	44
Українська	51
Türkçe	57



## Intended use

Your Black & Decker hammer drill has been designed for drilling in wood, metal, plastics, and masonry as well as for screwdriving purposes. This tool is intended for consumer use only.

## Safety instructions

### General power tool safety warnings



**Warning! Read all safety warnings and all instructions.** Failure to follow the warnings and instructions listed below may result in electric shock, fire and/or serious injury.

**Save all warnings and instructions for future reference.** The term „power tool“ in all of the warnings listed below refers to your mains operated (corded) power tool or battery operated (cordless) power tool.

1. **Work area safety**
    - a. **Keep work area clean and well lit.** Cluttered or dark areas invite accidents.
    - b. **Do not operate power tools in explosive atmospheres, such as in the presence of flammable liquids, gases or dust.** Power tools create sparks which may ignite the dust or fumes.
    - c. **Keep children and bystanders away while operating a power tool.** Distractions can cause you to lose control.
  2. **Electrical safety**
    - a. **Power tool plugs must match the outlet. Never modify the plug in any way. Do not use any adapter plugs with earthed (grounded) power tools.** Unmodified plugs and matching outlets will reduce risk of electric shock.
    - b. **Avoid body contact with earthed or grounded surfaces such as pipes, radiators, ranges and refrigerators.** There is an increased risk of electric shock if your body is earthed or grounded.
    - c. **Do not expose power tools to rain or wet conditions.** Water entering a power tool will increase the risk of electric shock.
    - d. **Do not abuse the cord. Never use the cord for carrying, pulling or unplugging the power tool. Keep cord away from heat, oil, sharp edges or moving parts.** Damaged or entangled cords increase the risk of electric shock.
  - e. **When operating a power tool outdoors, use an extension cord suitable for outdoor use.** Use of a cord suitable for outdoor use reduces the risk of electric shock.
  - f. **If operating a power tool in a damp location is unavoidable, use a residual current device (RCD) protected supply.** Use of an RCD reduces the risk of electric shock.
3. **Personal safety**
    - a. **Stay alert, watch what you are doing and use common sense when operating a power tool. Do not use a power tool while you are tired or under the influence of drugs, alcohol or medication.** A moment of inattention while operating power tools may result in serious personal injury.
    - b. **Use personal protective equipment. Always wear eye protection.** Protective equipment such as dust mask, non-skid safety shoes, hard hat, or hearing protection used for appropriate conditions will reduce personal injuries.
    - c. **Prevent unintentional starting. Ensure the switch is in the off-position before connecting to power source and/or battery pack, picking up or carrying the tool.** Carrying power tools with your finger on the switch or energising power tools that have the switch on invites accidents.
    - d. **Remove any adjusting key or wrench before turning the power tool on.** A wrench or a key left attached to a rotating part of the power tool may result in personal injury.
    - e. **Do not overreach. Keep proper footing and balance at all times.** This enables better control of the power tool in unexpected situations.
    - f. **Dress properly. Do not wear loose clothing or jewellery. Keep your hair, clothing and gloves away from moving parts.** Loose clothes, jewellery or long hair can be caught in moving parts.
    - g. **If devices are provided for the connection of dust extraction and collection facilities, ensure these are connected and properly used.** Use of dust collection can reduce dust-related hazards.
  4. **Power tool use and care**
    - a. **Do not force the power tool. Use the correct power tool for your application.** The correct power tool will do the job better and safer at the rate for which it was designed.

- b. **Do not use the power tool if the switch does not turn it on and off.** Any power tool that cannot be controlled with the switch is dangerous and must be repaired.
  - c. **Disconnect the plug from the power source and/or the battery pack from the power tool before making any adjustments, changing accessories, or storing power tools.** Such preventive safety measures reduce the risk of starting the power tool accidentally.
  - d. **Store idle power tools out of the reach of children and do not allow persons unfamiliar with the power tool or these instructions to operate the power tool.** Power tools are dangerous in the hands of untrained users.
  - e. **Maintain power tools. Check for misalignment or binding of moving parts, breakage of parts and any other condition that may affect the power tools operation. If damaged, have the power tool repaired before use.** Many accidents are caused by poorly maintained power tools.
  - f. **Keep cutting tools sharp and clean.** Properly maintained cutting tools with sharp cutting edges are less likely to bind and are easier to control.
  - g. **Use the power tool, accessories and tool bits etc., in accordance with these instructions, taking into account the working conditions and the work to be performed.** Use of the power tool for operations different from those intended could result in a hazardous situation.
- 5. Service**
- a. **Have your power tool serviced by a qualified repair person using only identical replacement parts.** This will ensure that the safety of the power tool is maintained.

## Additional power tool safety warnings



**Warning!** Additional safety warnings for drills and impact drills

- **Wear ear protectors with impact drills.** Exposure to noise can cause hearing loss.
- **Use auxiliary handles supplied with the tool.** Loss of control can cause personal injury.
- **Hold power tool by insulated gripping surfaces when performing an operation where the cutting accessory may contact hidden wiring or its own cord.** Cutting

accessory contacting a „live“ wire may make exposed metal parts of the power tool „live“ and shock the operator.

- **Use clamps or another practical way to secure and support the workpiece to a stable platform.** Holding the work by hand or against your body leaves it unstable and may lead to loss of control.
- Before drilling into walls, floors or ceilings, check for the location of wiring and pipes.
- Avoid touching the tip of a drill bit just after drilling, as it may be hot.
- This tool is not intended for use by persons (including children) with reduced physical, sensory or mental capabilities, or lack of experience and knowledge, unless they have been given supervision or instruction concerning use of the appliance by a person responsible for their safety. Children should be supervised to ensure that they do not play with the appliance.
- The intended use is described in this instruction manual. The use of any accessory or attachment or performance of any operation with this tool other than those recommended in this instruction manual may present a risk of personal injury and/or damage to property.

## Vibration

The declared vibration emission values stated in the technical data and the declaration of conformity have been measured in accordance with a standard test method provided by EN 60745 and may be used for comparing one tool with another. The declared vibration emission value may also be used in a preliminary assessment of exposure.

**Warning!** The vibration emission value during actual use of the power tool can differ from the declared value depending on the ways in which the tool is used. The vibration level may increase above the level stated.

When assessing vibration exposure to determine safety measures required by 2002/44/EC to protect persons regularly using power tools in employment, an estimation of vibration exposure should consider, the actual conditions of use and the way the tool is used, including taking account of all parts of the operating cycle such as the times when the tool is switched off and when it is running idle in addition to the trigger time.

## Labels on tool

The following pictograms are shown on the tool:



**Warning!** To reduce the risk of injury, the user must read the instruction manual.

## Electrical safety



This tool is double insulated; therefore no earth wire is required. Always check that the power supply corresponds to the voltage on the rating plate.

- If the supply cord is damaged, it must be replaced by the manufacturer or an authorised Black & Decker Service Centre in order to avoid a hazard.

## Features

This tool includes some or all of the following features.

1. Variable speed switch
2. Lock-on button
3. Forward/reverse switch
4. Drilling mode selector
5. Side handle
6. Keyed chuck (CD60RE)
6. Keyless chuck (CD60CRE/CD70CRE/CD70CKA/AST2XC)

## Assembly

**Warning!** Before assembly, make sure that the tool is switched off and unplugged.

### Fitting the side handle (fig. A)

- Turn the grip (7) counterclockwise until you can slide the side handle (5) onto the front of the tool as shown.
- Rotate the side handle into the desired position.
- Tighten the side handle by turning the grip clockwise.

### Fitting a drill bit or screwdriver bit (fig. B)

- Open the chuck by turning the front part (8) with one hand while holding the rear part (9) with the other.
- Insert the bit shaft (10) into the chuck and firmly tighten the chuck.

### Removing and refitting the chuck (fig. C)

- Open the chuck as far as possible.
- Remove the chuck retaining screw (11), located in the front part of the chuck, by turning it clockwise using a screwdriver.

- Tighten an Allen key (12) into the chuck and strike it with a hammer as shown.
- Remove the Allen key.
- Remove the chuck by turning it counterclockwise.
- To refit the chuck, screw it onto the spindle and secure it with the chuck retaining screw.

## Use

**Warning!** Let the tool work at its own pace. Do not overload.

**Warning!** Before drilling into walls, floors or ceilings, check for the location of wiring and pipes.

### Selecting the direction of rotation (fig. D)

- For drilling and for tightening screws, place the forward/reverse switch (3) in the neutral position.
- For loosening screws or removing a jammed drill bit, turn the forward/reverse switch (3) to the left.

**Warning!** Never change the direction of rotation while the motor is running.

### Selecting the drilling mode

- For drilling in masonry, set the drilling mode selector (4) to the **T** position.
- For drilling in other materials and for screwdriving, set the drilling mode selector (4) to the **A** position.

### Switching on and off (fig. E)

- To switch the tool on, press the variable speed switch (1). The tool speed depends on how far you press the switch. As a general rule, use low speeds for large diameter drill bits and high speeds for smaller diameter drill bits.
- For continuous operation, press the lock-on button (2) and release the variable speed switch. This option is available only at full speed.
- To switch the tool off, release the variable speed switch. To switch the tool off when in continuous operation, press the variable speed switch once more and release it.

## Accessories

The performance of your tool depends on the accessory used. Black & Decker and Piranha accessories are engineered to high quality standards and designed to enhance the performance of your tool. By using these accessories you will get the very best from your tool.

## Maintenance

Your tool has been designed to operate over a long period of time with a minimum of maintenance. Continuous satisfactory operation depends upon proper tool care and regular cleaning.

**Warning!** Before performing any maintenance, switch off and unplug the tool.

- Regularly clean the ventilation slots in your tool using a soft brush or dry cloth.
- Regularly clean the motor housing using a damp cloth. Do not use any abrasive or solvent-based cleaner.

### Mains plug replacement (U.K. & Ireland only)

If a new mains plug needs to be fitted:

- Safely dispose of the old plug.
- Connect the brown lead to the live terminal in the new plug.
- Connect the blue lead to the neutral terminal.

**Warning!** No connection is to be made to the earth terminal. Follow the fitting instructions supplied with good quality plugs. Recommended fuse: 5 A.

## Protecting the environment



Separate collection. This product must not be disposed of with normal household waste.

Should you find one day that your Black & Decker product needs replacement, or if it is of no further use to you, do not dispose of it with household waste. Make this product available for separate collection.



Separate collection of used products and packaging allows materials to be recycled and used again. Re-use of recycled materials helps prevent environmental pollution and reduces the demand for raw materials.

Local regulations may provide for separate collection of electrical products from the household, at municipal waste sites or by the retailer when you purchase a new product.

Black & Decker provides a facility for the collection and recycling of Black & Decker products once they have reached the end of their working life. To take advantage of this service please return your product to any authorised repair agent who will collect them on our behalf.

You can check the location of your nearest authorised repair agent by contacting your local Black & Decker office at the address indicated in this manual. Alternatively, a list of authorised Black & Decker repair agents and full details of our after-sales service and contacts are available on the Internet at: [www.2helpU.com](http://www.2helpU.com)

### Technical data

		CD60CRE	CD60RE	CD70CRE
Input voltage	V <sub>AC</sub>	230	230	230
Power input	W	600	600	710
No-load speed	min <sup>-1</sup>	0-2 800	0-2 800	0-2 800
Max drilling capacity				
Steel/concrete	mm	13	13	13
Wood	mm	25	25	25
Weight	kg	1,84	1,84	1,84

		CD70CKA	AST2XC
Input voltage	V <sub>AC</sub>	230	230
Power input	W	710	710
No-load speed	min <sup>-1</sup>	0-2 800	0-2 800
Max drilling capacity			
Steel/concrete	mm	13	13
Wood	mm	25	25
Weight	kg	1,84	1,84

**EC declaration of conformity**

CD60CRE TYPE1/CD60RE TYPE1/CD70CRE  
TYPE1/CD70CKA TYPE1/AST2XC

Black & Decker declares that these products  
conform to: 98/37/EC, EN 60745

Level of sound pressure according to EN 60745:

Sound pressure ( $L_{pA}$ ) 106 dB(A), uncertainty  
(K) 3 dB(A), Acoustic power ( $L_{WA}$ ) 117 dB(A),  
uncertainty (K) 3 dB(A)

Vibration total values (triax vector sum) according  
to EN 60745:

Impact drilling into concrete ( $a_{h, ID}$ ) 16,3 m/s<sup>2</sup>,  
uncertainty (K) 2,2 m/s<sup>2</sup>, Drilling into metal ( $a_{h, D}$ )  
8,2 m/s<sup>2</sup>, uncertainty (K) 1,5 m/s<sup>2</sup>

The undersigned is responsible for compilation of  
the technical file and makes this declaration on  
behalf of Black & Decker.

Kevin Hewitt  
Director of Consumer  
Engineering  
Spennymoor, County Durham  
DL16 6JG, United Kingdom  
1-10-2008

**Guarantee**

Black & Decker is confident of the quality of its products and offers an outstanding guarantee. This guarantee statement is in addition to and in no way prejudices your statutory rights. The guarantee is valid within the territories of the Member States of the European Union and the European Free Trade Area.

If a Black & Decker product becomes defective due to faulty materials, workmanship or lack of conformity, within 24 months from the date of purchase, Black & Decker guarantees to replace defective parts, repair products subjected to fair wear and tear or replace such products to ensure minimum inconvenience to the customer unless:

- The product has been used for trade, professional or hire purposes;
- The product has been subjected to misuse or neglect;
- The product has sustained damage through foreign objects, substances or accidents;
- Repairs have been attempted by persons other than authorised repair agents or Black & Decker service staff.

To claim on the guarantee, you will need to submit proof of purchase to the seller or an authorised repair agent. You can check the location of your nearest authorised repair agent by contacting your local Black & Decker office at the address indicated in this manual. Alternatively, a list of authorised Black & Decker repair agents and full details of our after-sales service and contacts are available on the Internet at: **www.2helpU.com**

Please visit our website

**www.blackanddecker.co.uk** to register your new Black & Decker product and to be kept up to date on new products and special offers. Further information on the Black & Decker brand and our range of products is available at **www.blackanddecker.co.uk**

## Bestimmungsgemäße Verwendung

Ihre Black & Decker Schlagbohrmaschine wurde zum Bohren in Holz, Metall, Kunststoff und Mauerwerk sowie zum Schrauben entwickelt. Dieses Gerät ist nicht für den gewerblichen Einsatz vorgesehen.

## Sicherheitshinweise

### Allgemeine Warnhinweise zur Sicherheit von Elektrowerkzeugen



**Achtung! Lesen Sie sämtliche Sicherheitswarnhinweise und sonstigen Anweisungen.** Die Nichteinhaltung der nachstehend aufgeführten Warnhinweise und sonstigen Anweisungen kann einen elektrischen Schlag, Brand und/oder schwere Verletzungen verursachen.

**Bewahren Sie alle Warnhinweise und sonstigen Anweisungen zur künftigen Bezugnahme auf.** Der nachfolgend verwendete Begriff „Gerät“ bezieht sich auf netzbetriebene Geräte (mit Netzkabel) und auf akkubetriebene Geräte (ohne Netzkabel).

#### 1. Sicherheit am Arbeitsplatz

- a. **Halten Sie Ihren Arbeitsbereich sauber und gut ausgeleuchtet.** Unordnung und dunkle Arbeitsbereiche fordern Unfälle geradezu heraus.
- b. **Arbeiten Sie mit Geräten nicht in explosionsgefährdeter Umgebung, in der sich brennbare Flüssigkeiten, Gase oder Stäube befinden.** Geräte erzeugen Funken, die den Staub oder die Dämpfe entzünden können.
- c. **Halten Sie Kinder und andere Personen während der Benutzung eines Geräts fern.** Bei Ablenkung können Sie die Kontrolle verlieren.

#### 2. Elektrische Sicherheit

- a. **Der Anschlussstecker des Geräts muß in die Steckdose passen. Der Stecker darf in keiner Weise verändert werden. Verwenden Sie keine Adapterstecker gemeinsam mit schutzgeerdeten Geräten.** Unveränderte Stecker und passende Steckdosen verringern das Risiko eines elektrischen Schlags.
- b. **Vermeiden Sie Körperkontakt mit geerdeten Oberflächen von Rohren, Heizungen,**

**Herden und Kühlschränken.** Es besteht ein erhöhtes Risiko eines elektrischen Schlags, wenn Ihr Körper geerdet ist.

- c. **Halten Sie Geräte von Regen und Nässe fern.** Das Eindringen von Wasser in ein Gerät erhöht das Risiko eines elektrischen Schlags.
  - d. **Mißbrauchen Sie nicht das Kabel.** **Verwenden Sie das Kabel niemals zum Tragen, Ziehen oder Trennen des Gerätes vom Netz. Halten Sie das Kabel fern von Hitze, Öl, scharfen Kanten oder sich bewegenden Teilen.** Beschädigte oder verwickelte Kabel erhöhen das Risiko eines elektrischen Schlags.
  - e. **Wenn Sie mit einem Gerät im Freien arbeiten, verwenden Sie nur Verlängerungskabel, die auch für den Außenbereich zugelassen sind.** Die Verwendung eines für den Außenbereich geeigneten Verlängerungskabels verringert das Risiko eines elektrischen Schlags.
  - f. **Falls der Betrieb des Elektrowerkzeugs in einer feuchten Umgebung unvermeidbar ist, verwenden Sie einen mit einem Fehlerstromschutzschalter (FI-Schutzschalter) abgesicherten Stromkreis.** Durch die Verwendung eines FI-Schutzschalters wird das Risiko eines Stromschlags verringert.
- #### 3. Sicherheit von Personen
- a. **Seien Sie aufmerksam, achten Sie darauf, was Sie tun, und gehen Sie vernünftig mit einem Gerät um. Benutzen Sie das Gerät nicht, wenn Sie müde sind oder unter dem Einfluß von Drogen, Alkohol oder Medikamenten stehen.** Ein Moment der Unachtsamkeit beim Gebrauch von Geräten kann zu ernsthaften Verletzungen führen.
  - b. **Tragen Sie persönliche Schutzausrüstung. Tragen Sie immer eine Schutzbrille.** Das Tragen persönlicher Schutzausrüstung, wie Staubmaske, rutschfeste Sicherheitsschuhe, Schutzhelm oder Gehörschutz, je nach Art und Einsatz des Elektrowerkzeuges, verringert das Risiko von Verletzungen.
  - c. **Vermeiden Sie eine unbeabsichtigte Inbetriebnahme. Vergewissern Sie sich, dass der Schalter auf der Aus-Stellung steht, bevor Sie den Stecker in die Steckdose stecken und/oder das Akkupaket im Werkzeug stecken, das Werkzeug aufnehmen oder tragen.** Wenn Sie beim Tragen des Elektrowerkzeugs den Finger



am Schalter haben oder das Werkzeug eingeschaltet an die Stromversorgung anschließen, kann dies zu Unfällen führen.

- d. **Entfernen Sie Einstell- oder Schraubenschlüssel, bevor Sie das Gerät einschalten.** Ein Schlüssel, der sich in einem sich drehenden Teil befindet, kann zu Verletzungen führen.
  - e. **Nicht zu weit nach vorne strecken! Achten Sie auf einen sicheren Stand, um in jeder Arbeitsposition das Gleichgewicht zu halten.** Dadurch können Sie das Gerät in unerwarteten Situationen besser unter Kontrolle halten.
  - f. **Tragen Sie geeignete Kleidung. Tragen Sie keine weite Kleidung oder Schmuck. Halten Sie Haare, Kleidung und Handschuhe fern von sich bewegenden Teilen.** Lockere Kleidung, Schmuck oder lange Haare können von sich bewegenden Teilen erfaßt werden.
  - g. **Falls Staubabsaug- und -auffangvorrichtungen vorhanden sind, vergewissern Sie sich, daß diese angeschlossen sind und richtig verwendet werden.** Das Verwenden dieser Einrichtungen verringert Gefährdungen durch Staub.
- 4. Gebrauch und Pflege von Geräten**
- a. **Überlasten Sie das Gerät nicht. Verwenden Sie für Ihre Arbeit das dafür bestimmte Gerät.** Mit dem passenden Gerät arbeiten Sie besser und sicherer im angegebenen Leistungsbereich.
  - b. **Benutzen Sie kein Gerät, dessen Schalter defekt ist.** Ein Gerät, das sich nicht mehr ein- oder ausschalten läßt, ist gefährlich und muß repariert werden.
  - c. **Trennen Sie den Stecker von der Stromquelle und/oder das Akkupaket vom Elektrowerkzeug, bevor Einstellungen vorgenommen, Zubehör gewechselt oder Elektrowerkzeuge verstaut werden.** Diese Vorsichtsmaßnahmen verhindern den unbeabsichtigten Start des Gerätes.
  - d. **Bewahren Sie unbenutzte Geräte außerhalb der Reichweite von Kindern auf. Lassen Sie Geräte nicht von Personen benutzen, die damit nicht vertraut sind oder diese Anweisungen nicht gelesen haben.** Geräte sind gefährlich, wenn Sie von unerfahrenen Personen benutzt werden.
  - e. **Halten Sie Geräte in einem einwandfreien Zustand. Kontrollieren Sie, ob bewegliche**

**Teile falsch ausgerichtet sind oder klemmen und ob Teile gebrochen oder so beschädigt sind, daß die Funktion des Geräts beeinträchtigt ist. Lassen Sie beschädigte Geräte vor dem Gebrauch reparieren.**

Viele Unfälle haben ihre Ursache in schlecht gewarteten Geräten.

- f. **Halten Sie Schneidgeräte scharf und sauber.** Sorgfältig gepflegte Schneidgeräte mit scharfen Schneidkanten verklemmen sich weniger und sind leichter zu führen.
- g. **Verwenden Sie das Elektrowerkzeug, Zubehör sowie Werkzeug-Bits, usw. entsprechend diesen Anweisungen. Berücksichtigen Sie dabei die Arbeitsbedingungen sowie die durchzuführende Arbeit.** Der Gebrauch von Geräten für andere als die vorgesehenen Anwendungen kann zu gefährlichen Situationen führen.

#### 5. Service

- a. **Lassen Sie Ihr Gerät nur von qualifiziertem Fachpersonal und nur mit Original-Ersatzteilen reparieren.** Damit wird gewährleistet, daß die Sicherheit des Geräts erhalten bleibt.

#### Zusätzliche Warnhinweise zur Sicherheit von Elektrowerkzeugen



**Achtung!** Zusätzliche Warnhinweise zur Sicherheit für Bohrmaschinen und Schlagbohrmaschinen

- **Tragen Sie bei Schlagbohrmaschinen einen Gehörschutz.** Lärm kann Gehörschäden verursachen.
- **Verwenden Sie die im Lieferumfang des Werkzeugs enthaltenen Zusatzhandgriffe.** Ein Kontrollverlust kann Personenverletzungen verursachen.
- **Halten Sie das Elektrowerkzeug an den isolierten Griffflächen, wenn Arbeiten durchgeführt werden, bei denen das Schneidezubehör versteckte Leitungen oder die eigene Anschlußleitung berühren könnte.** Schneidezubehör, das eine spannungsführende Leitung berührt, setzt die freiliegenden Metallteile des Geräts unter Spannung und der Benutzer erleidet einen Stromschlag.
- **Verwenden Sie Zwingen oder ähnliche Mittel, um das Werkstück auf einer stabilen**

**Plattform zu halten und zu sichern.** Falls das Werkstück mit der Hand oder gegen den Körper gehalten wird, bleibt es instabil und Sie können die Kontrolle verlieren.

- Informieren Sie sich vor dem Bohren in Wände, Böden und Decken über den genauen Verlauf von Leitungen und Rohren.
- Vermeiden Sie eine Berührung der Spitze eines Bohrers kurz nach dem Bohren, da sie heiß sein kann.
- Dieses Gerät darf nicht von Personen (einschließlich Kindern) mit eingeschränkten körperlichen, sensorischen oder geistigen Fähigkeiten verwendet werden. Auch darf es nicht von Personen verwendet werden, die keine Erfahrung mit dem Gerät oder Kenntnis darüber haben, es sei denn, sie stehen beim Gebrauch unter der Aufsicht und Anleitung einer für deren Sicherheit verantwortlichen Person. Kinder müssen beaufsichtigt werden, um sicherzustellen, daß sie nicht mit dem Gerät spielen.
- Die bestimmungsgemäße Verwendung ist in dieser Bedienungsanleitung beschrieben. Das Verwenden anderer als der in dieser Anleitung empfohlenen Anbaugeräte und Zubehörteile oder die Ausführung von Arbeiten mit diesem Gerät, die nicht der bestimmungsgemäßen Verwendung entsprechen, kann zu Unfallgefahren und/oder Sachschäden führen.

## Vibrationen

Die angegebenen Vibrationswerte in den Technischen Daten und der Konformitätserklärung wurden gemäß einer standardisierten und durch EN 60745 festgelegten Prüfmethode gemessen und können herangezogen werden, um ein Werkzeug mit einem anderen zu vergleichen. Der angegebene Vibrationswert kann auch für eine vorläufige Einstufung der Freisetzung herangezogen werden.

**Achtung!** Der Vibrationswert beim eigentlichen Gebrauch des Elektrowerkzeugs kann vom angegebenen Wert abweichen. Dies hängt davon ab, auf welche Weise das Werkzeug verwendet wird. Der Vibrationswert kann über den angegebenen Wert hinaus ansteigen.

Bei der Einstufung der Vibrationen zur Festlegung der von 2002/44/EG geforderten Sicherheitsmaßnahmen zum Schutz von Personen, die beruflich regelmäßig mit

Elektrowerkzeugen arbeiten, muß eine Vibrationseinstufung die tatsächlichen Gebrauchsbedingungen und die Art und Weise berücksichtigen, wie das Werkzeug verwendet wird. Auch müssen alle Aspekte des Arbeitszyklus berücksichtigt werden, wie beispielsweise die Zeiten, in denen das Werkzeug aus- und eingeschaltet ist und im Leerlauf läuft.

## Schilder auf dem Gerät

Es befinden sich folgende Bildzeichen auf dem Gerät:



**Achtung!** Um die Verletzungsgefahr zu verringern, muß der Benutzer die Bedienungsanleitung lesen.

## Elektrische Sicherheit



Dieses Gerät ist schutzisoliert, daher ist keine Erdleitung erforderlich. Überprüfen Sie immer, ob die Netzspannung der auf dem Typenschild des Elektrowerkzeuges angegebenen Spannung entspricht.

- Falls das Netzkabel beschädigt ist, so ist es vom Hersteller oder einem autorisierten Black & Decker Service Center auszutauschen, um Gefahren vorzubeugen.

## Merkmale

Dieses Gerät weist einige oder alle der folgenden Merkmale auf.

1. Drehzahl-Regelschalter
2. Ausschaltsperr
3. Rechts-/Linkslaufschalter
4. Betriebsartenschalter
5. Seitenhandgriff
6. Schlüsselfutter (CD60RE)
6. Schlüsselloser Futter (CD60CRE/CD70CRE/CD70CKA/AST2XC)

## Montage

**Achtung!** Vergewissern Sie sich vor der Montage, daß das Gerät ausgeschaltet ist und daß der Netzstecker gezogen wurde.

## Anbringen des Seitenhandgriffs (Abb. A)

- Drehen Sie den Griff (7) gegen den Uhrzeigersinn, bis der Seitenhandgriff (5) wie angegeben vorne auf das Gerät geschoben werden kann.
- Drehen Sie den Seitenhandgriff in die gewünschte Stellung.
- Ziehen Sie den Seitenhandgriff an, indem Sie ihn im Uhrzeigersinn drehen.

## Anbringen eines Bohrers oder einer

### Schrauber Klinge (Abb. B)

- Öffnen Sie das Bohrfutter, indem Sie den vorderen Teil (8) mit der einen Hand aufdrehen, während Sie den hinteren Teil (9) mit der anderen Hand festhalten.
- Setzen Sie den Schaft (10) des Bohrers bzw. der Schrauber Klinge in das Bohrfutter, und ziehen Sie das Bohrfutter fest an.

## Entfernen und Anbringen des Bohrfutters

### (Abb. C)

- Öffnen Sie das Spannfutter vollständig.
- Entfernen Sie die Bohrfutter-Sicherungsschraube (11), die sich im vorderen Teil des Bohrfutters befindet, indem Sie sie mit einem Schraubendreher im Uhrzeigersinn drehen.
- Spannen Sie einen Innensechskantschlüssel (12) in das Spannfutter ein, und schlagen Sie wie angegeben mit einem Hammer auf den Innensechskantschlüssel.
- Entfernen Sie den Innensechskantschlüssel.
- Entfernen Sie das Spannfutter, indem Sie es gegen den Uhrzeigersinn drehen.
- Um das Spannfutter wieder anzubringen, schrauben Sie es auf die Spindel, und sichern Sie es mit der Spannfutter-Sicherungsschraube.

## Gebrauch

**Achtung!** Beschleunigen Sie den Arbeitsvorgang nicht mit Gewalt. Vermeiden Sie eine Überlastung des Gerätes.

**Achtung!** Informieren Sie sich vor dem Bohren in Wände, Böden und Decken über den genauen Verlauf von Leitungen und Rohren.

### Wahl der Drehrichtung (Abb. D)

- Zum Bohren und zum Anziehen von Schrauben stellen Sie den Rechts-/Linkslauf-Umschalter (3) in die Neutralstellung.
- Zum Herausdrehen von Schrauben und zum Entfernen eines festgeklemmten Bohrers drehen Sie den Rechts-/Linkslauf-Umschalter (3) nach links.

**Achtung!** Ändern Sie niemals die Laufrichtung, während der Motor läuft.

### Wahl der Betriebsart

- Um in Mauerwerk zu bohren, stellen Sie den Betriebsartenschalter (4) in die Position **T**.

- Um in andere Materialien zu bohren sowie zum Schrauben stellen Sie den Betriebsartenschalter (4) in die Position **A**.

### Ein- und Ausschalten (Abb. E)

- Um das Gerät einzuschalten, drücken Sie auf den Drehzahl- Regelschalter (1). Je tiefer Sie den Schalter drücken, umso höher ist die Drehzahl des Geräts. Im Allgemeinen sollten für Bohrer mit großen Durchmessern niedrige Drehzahlen und für Bohrer mit kleineren Durchmessern hohe Drehzahlen verwendet werden.
- Drücken Sie für Dauerbetrieb die Ausschaltsperr (2). Sie können nun den Drehzahl-Regelschalter loslassen. Diese Möglichkeit besteht nur bei voller Drehzahl.
- Um das Gerät auszuschalten, lassen Sie den Geschwindigkeitsregelschalter los. Ausschalten im Dauerbetrieb: drücken Sie den Drehzahl-Regelschalter erneut, und lassen Sie ihn wieder los.

## Zubehör

Die Leistung Ihres Geräts hängt vom verwendeten Zubehör ab. Black & Decker und Piranha Zubehör ist nach hohen Qualitätsnormen gefertigt und dafür ausgelegt, die Leistung Ihres Geräts zu steigern. Durch Verwendung dieses Zubehörs erzielen Sie die größtmögliche Leistung Ihres Geräts.

## Wartung

Ihr Gerät wurde für eine lange Lebensdauer und einen möglichst geringen Wartungsaufwand entwickelt. Ein dauerhafter, einwandfreier Betrieb setzt eine regelmäßige Pflege und Reinigung voraus.

- Achtung!** Bevor Sie irgendwelche Wartungsarbeiten vornehmen, schalten Sie das Gerät aus, und ziehen Sie den Netzstecker.
- Reinigen Sie regelmäßig die Lüftungsschlitze im Gerät mit Hilfe einer weichen Bürste oder eines trockenen Tuches.
  - Reinigen Sie regelmäßig das Motorgehäuse mit Hilfe eines feuchten Tuches. Verwenden Sie keine scheuernden Reinigungsmittel oder Reinigungsmittel auf Lösungsmittelbasis.

## Umweltschutz



Getrennte Entsorgung. Dieses Produkt darf nicht über den normalen Hausmüll entsorgt werden.

Sollte Ihr Black & Decker Produkt eines Tages erneuert werden müssen, oder falls Sie es nicht weiter verwenden wollen, so darf es nicht über den Hausmüll entsorgt werden. Stellen Sie dieses Produkt zur getrennten Entsorgung bereit.



Durch die getrennte Entsorgung gebrauchter Produkte und Verpackungen können die Materialien recycelt und wiederverwertet werden. Die Wiederverwertung recycelter Materialien schon die Umwelt und verringert die Nachfrage nach Rohstoffen.

Die regionalen Bestimmungen schreiben unter Umständen die getrennte Entsorgung elektrischer Produkte aus dem Haushalt an Sammelstellen oder seitens des Händlers vor, bei dem Sie das neue Produkt erworben haben.

Black & Decker nimmt Ihre ausgedienten Black & Decker Geräte gern zurück und sorgt für eine umweltfreundliche Entsorgung und Wiederverwertung. Um diesen Dienst zu nutzen, schicken Sie bitte Ihr Produkt zu einer Vertragswerkstatt. Hier wird es dann auf unsere Kosten gesammelt.

Die Adresse der zuständigen Black & Decker Vertretung steht in diesem Handbuch, darüber läßt sich die nächstgelegene Vertragswerkstatt ermitteln. Außerdem ist eine Liste der Vertragswerkstätten und aller Kundendienststellen von Black & Decker sowie der zuständigen Ansprechpartner im Internet zu finden unter: [www.2helpU.com](http://www.2helpU.com)

**Technische Daten**

		CD60CRE	CD60RE	CD70CRE
Spannung	V <sub>AC</sub>	230	230	230
Leistungsaufnahme	W	600	600	710
Leerlaufdrehzahl	min <sup>-1</sup>	0-2 800	0-2 800	0-2 800
Max. Bohrkapazität				
Stahl/Beton	mm	13	13	13
Holz	mm	25	25	25
Gewicht	kg	1,84	1,84	1,84

		CD70CKA	AST2XC
Spannung	V <sub>AC</sub>	230	230
Leistungsaufnahme	W	710	710
Leerlaufdrehzahl	min <sup>-1</sup>	0-2 800	0-2 800
Max. Bohrkapazität			
Stahl/Beton	mm	13	13
Holz	mm	25	25
Gewicht	kg	1,84	1,84

**EG-Konformitätserklärung**



CD60CRE TYPE1/CD60RE TYPE1/CD70CRE TYPE1/CD70CKA TYPE1/AST2XC

Black & Decker erklärt, daß diese Produkte folgende Konformität erfüllen: 98/37/EG, EN 60745

Höhe des Schalldrucks gemäß EN 60745:  
Schalldruck (L<sub>PA</sub>) 106 dB(A), Unsicherheitsfaktor (K) 3 dB(A), Schallleistung (L<sub>WA</sub>) 117 dB(A), Unsicherheitsfaktor (K) 3 dB(A)

Gesamtvibrationswerte (Triax-Vektorsumme) gemäß EN 60745:

Schlagbohren in Beton (a<sub>h, ID</sub>) 16,3 m/s<sup>2</sup>, Unsicherheitsfaktor (K) 2,2 m/s<sup>2</sup>, Bohren in Metall (a<sub>h, D</sub>) 8,2 m/s<sup>2</sup>, Unsicherheitsfaktor (K) 1,5 m/s<sup>2</sup>

Der Unterzeichnete ist für die Zusammenstellung der technischen Datei verantwortlich und gibt diese Erklärung im Namen von Black & Decker ab.

Kevin Hewitt  
Director of Consumer Engineering  
Spennymoor, County Durham  
DL16 6JG, Vereinigtes Königreich  
1-10-2008

**Garantie**

Black & Decker vertraut auf die Qualität der eigenen Geräte und bietet dem Käufer eine außergewöhnliche Garantie. Diese Garantiezusage versteht sich unbeschadet der gesetzlichen Gewährleistungsansprüche und schränkt diese keinesfalls ein. Sie gilt in sämtlichen Mitgliedsstaaten der Europäischen Union und der Europäischen Freihandelszone EFTA.

Tritt innerhalb von 24 Monaten ab Kaufdatum an einem Gerät von Black & Decker ein auf Material- oder Verarbeitungsfehler zurückzuführender Mangel auf, garantiert Black & Decker den Austausch defekter Teile, die Reparatur von Geräten mit üblichem Verschleiß bzw. den Austausch eines mangelhaften Geräts, ohne den Kunden dabei mehr als unbedingt nötig in Anspruch zu nehmen, allerdings vorbehaltlich folgender Ausnahmen:

- wenn das Gerät gewerblich, beruflich oder im Verleihgeschäft benutzt wurde;
- wenn das Gerät mißbräuchlich verwendet oder mit mangelnder Sorgfalt behandelt wurde;

- wenn das Gerät durch irgendwelche Fremdeinwirkung beschädigt wurde;
- wenn ein unbefugter Reparaturversuch durch anderes Personal als das einer Vertragswerkstatt oder des Black & Decker-Kundendienstes unternommen wurde.

Zur Inanspruchnahme dieser Garantie ist dem Verkäufer bzw. der Vertragswerkstatt ein Kaufnachweis vorzulegen. Der Kaufnachweis muß Kaufdatum und Gerätetyp bescheinigen. Die Adresse des zuständigen Büros von Black & Decker steht in dieser Anleitung, darüber läßt sich die nächstgelegene Vertragswerkstatt ermitteln. Außerdem ist eine Liste der Vertragswerkstätten und aller Kundendienststellen von Black & Decker sowie der zuständigen Ansprechpartner im Internet zu finden unter: **[www.2helpU.com](http://www.2helpU.com)**

Bitte besuchen Sie unsere Webseite **[www.blackanddecker.de](http://www.blackanddecker.de)**, um Ihr neues Black & Decker Produkt zu registrieren und über neue Produkte und Sonderangebote aktuell informiert zu werden. Weitere Informationen über die Marke Black & Decker und unsere Produkte finden Sie unter **[www.blackanddecker.de](http://www.blackanddecker.de)**

## Utilisation prévue

Votre perceuse à percussion Black & Decker a été conçue pour percer le bois, le métal, le plastique et la maçonnerie, ainsi que pour fonctionner comme visseuse-dévisseuse. Cet outil a été conçu pour une utilisation exclusivement domestique.

## Instructions de sécurité

### Consignes de sécurité générales pour les outils électriques



**Attention ! Prenez connaissance de tous les avertissements de sécurité et de toutes les instructions.** Le non-respect des avertissements et des instructions indiqués ci-dessous peut entraîner une électrocution, un incendie ou de graves blessures.

**Conservez tous les avertissements et instructions pour référence future.** La notion d'« outil électroportatif » mentionnée par la suite se rapporte à des outils électriques raccordés au secteur (avec câble de raccordement) ou fonctionnant sur piles (sans fil).

#### 1. Sécurité de la zone de travail

- a. **Maintenez la zone de travail propre et bien éclairée.** Un lieu de travail en désordre ou mal éclairé augmente le risque d'accidents.
- b. **N'utilisez pas les outils électroportatifs dans un environnement présentant des risques d'explosion ni en présence de liquides, gaz ou poussières inflammables.** Les outils électroportatifs génèrent des étincelles risquant d'enflammer les poussières ou les vapeurs.
- c. **Tenez les enfants et autres personnes éloignés durant l'utilisation de l'outil électroportatif.** En cas d'inattention, vous risquez de perdre le contrôle sur l'outil.

#### 2. Sécurité électrique

- a. **La fiche de secteur de l'outil électroportatif doit convenir à la prise de courant. Ne modifiez en aucun cas la fiche. N'utilisez pas de fiches d'adaptateur avec des outils ayant une prise de terre.** Les fiches non modifiées et les prises de courant appropriées réduisent le risque d'électrocution.
- b. **Évitez le contact physique avec des surfaces mises à la terre telles que tuyaux, radiateurs, fours et réfrigérateurs.** Il y a un

risque élevé d'électrocution si votre corps est relié à la terre.

- c. **N'exposez pas l'outil électroportatif à la pluie ni à l'humidité.** La pénétration d'eau dans un outil électroportatif augmente le risque d'électrocution.
  - d. **Préservez le câble d'alimentation. N'utilisez pas le câble à d'autres fins que celles prévues, notamment pour porter l'outil, l'accrocher voire le débrancher de la prise de courant. Maintenez le câble éloigné des sources de chaleur, des parties grasses, des bords tranchants ou des parties de l'outil en rotation.** Un câble endommagé ou enchevêtré augmente le risque d'électrocution.
  - e. **Si vous utilisez l'outil électroportatif à l'extérieur, utilisez une rallonge homologuée pour utilisation à l'air libre.** L'utilisation d'une rallonge électrique homologuée pour les applications extérieures réduit le risque d'électrocution.
  - f. **Si l'usage d'un outil dans un emplacement humide est inévitable, utilisez une alimentation protégée par un dispositif à courant différentiel résiduel (RCD).** L'usage d'un RCD réduit le risque de choc électrique.
- #### 3. Sécurité personnelle
- a. **Restez vigilant, surveillez ce que vous faites. Faites preuve de bon sens quand vous utilisez l'outil électroportatif. N'utilisez pas l'outil lorsque vous êtes fatigué ou après avoir consommé de l'alcool, des drogues voire des médicaments.** Un moment d'inattention lors de l'utilisation de l'outil peut entraîner de graves blessures.
  - b. **Utilisez un équipement de protection personnelle. Portez toujours une protection pour les yeux.** Les équipements de protection personnelle tels que les masques anti-poussières, chaussures de sécurité antidérapantes, casques ou protections acoustiques utilisés dans des conditions appropriées réduisent les blessures.
  - c. **Évitez toute mise en marche involontaire. Vérifiez que l'interrupteur est en position arrêt avant de brancher l'outil au secteur ou au bloc de batteries, de le prendre ou de le porter.** Transporter les outils en avec le doigt sur l'interrupteur ou les brancher avec l'interrupteur en position de marche est une source d'accidents.

- d. **Enlevez tout outil ou clé de réglage avant de mettre l'outil en marche.** Une clé ou un outil se trouvant sur une partie en rotation peut causer des blessures.
- e. **Adoptez une position confortable. Adoptez une position stable et gardez votre équilibre à tout moment.** Vous contrôlerez mieux l'outil dans des situations inattendues.
- f. **Portez des vêtements appropriés. Ne portez pas de vêtements flottants ou de bijoux. N'approchez pas les cheveux, vêtements ou gants des parties des pièces mobiles.** Les vêtements amples, les bijoux ou les cheveux longs peuvent être attrapés dans les pièces en mouvement.
- g. **Si des dispositifs servant à aspirer ou à recueillir les poussières doivent être utilisés, vérifiez qu'ils sont correctement raccordés et utilisés.** Le fait d'aspirer la poussière permet de réduire les risques inhérents à la poussière.

#### 4. Utilisation des outils électroportatifs et précautions

- a. **Ne surchargez pas l'outil. Utilisez l'outil électroportatif approprié pour le travail à effectuer.** Avec l'outil électroportatif approprié, vous travaillerez mieux et avec plus de sécurité à la vitesse pour laquelle il a été conçu.
- b. **N'utilisez pas un outil électroportatif dont l'interrupteur est défectueux.** Un outil électroportatif qui ne peut plus être mis en ou hors fonctionnement est dangereux et doit être réparé.
- c. **Déconnectez la prise de la source d'alimentation ou le pack-batterie de l'outil électrique avant tout réglage, changement d'accessoire voire rangement des outils électriques.** Cette mesure de précaution empêche une mise en marche par mégarde.
- d. **Rangez les outils électroportatifs hors de portée des enfants. Ne laissez pas les personnes n'étant pas familiarisées avec l'outil ou n'ayant pas lu ces instructions l'utiliser.** Les outils électroportatifs sont dangereux lorsqu'ils sont utilisés par des personnes non initiées.
- e. **Prenez soin des outils électroportatifs. Vérifiez que les parties en mouvement fonctionnent correctement et qu'elles ne sont pas coincées ; vérifiez qu'il n'y a pas de pièces cassées ou**

- endommagées susceptibles de nuire au bon fonctionnement de l'outil. S'il est endommagé, faites réparer l'outil avant de l'utiliser.** De nombreux accidents sont dus à des outils électroportatifs mal entretenus.
- f. **Maintenez les outils de coupe aiguisés et propres.** Des outils soigneusement entretenus avec des bords tranchants bien aiguisés se coincent moins souvent et peuvent être guidés plus facilement.
- g. **Utilisez l'outil électrique, les accessoires et forets, etc. conformément à ces instructions, en tenant compte des conditions de travail et des tâches à effectuer.** L'utilisation des outils électroportatifs à d'autres fins que celles prévues peut entraîner des situations dangereuses.

#### 5. Réparations

- a. **Faites réparer votre outil électroportatif uniquement par du personnel qualifié et seulement avec des pièces de rechange d'origine.** Cela garantira le maintien de la sécurité de votre outil.

#### Avertissements de sécurité supplémentaires pour les outils électriques



**Attention !** Avertissements de sécurité supplémentaires pour les perceuses et perceuses à percussion

- **Portez une protection auditive avec les perceuses à percussion.** L'exposition au bruit peut causer des pertes de l'audition.
- **Utilisez les poignées additionnelles fournies avec l'outil.** Une perte de contrôle peut provoquer des blessures.
- **Tenez l'outil uniquement par les surfaces isolées des poignées si l'opération effectuée peut mettre la lame en contact avec des câbles électriques cachés ou son propre cordon électrique.** Le contact de l'accessoire de coupe avec un câble sous tension met les parties métalliques de l'outil sous tension et peut provoquer une électrocution de l'utilisateur.
- **Utilisez des fixations ou tout autre moyen pratique pour fixer et soutenir la pièce à ouvrir sur une plate-forme stable.** Si vous tenez la pièce à la main ou contre votre corps, elle est instable et vous pouvez en perdre le contrôle.

- Avant de percer les murs, les planchers ou les plafonds, vérifiez l'emplacement des fils électriques et des tuyaux.
- Évitez de toucher l'extrémité d'un foret juste après avoir percé car il peut être chaud.
- Cet outil n'est pas destiné à être utilisé par des personnes (notamment des enfants) présentant des capacités physiques, sensorielles ou mentales limitées voire dépourvues de connaissance et d'expérience, sauf si elles sont supervisées ou ont reçu des instructions pour l'usage de l'appareil par une personne responsable de leur sécurité. Les enfants ne doivent pas jouer avec l'appareil.
- Le domaine d'utilisation de l'outil est décrit dans le présent manuel. L'utilisation d'accessoires ou la réalisation d'opérations avec cet outil autres que ceux recommandés dans le présent manuel peut entraîner un risque de blessure ou de dégâts.

## Vibration

Les valeurs des émissions de vibrations mentionnées dans les données techniques et la déclaration de conformité ont été mesurées conformément à la méthode de test normalisée indiquée par EN 60745 et permettent les comparaisons entre outils. Les valeurs des émissions de vibrations peuvent également servir à une évaluation préliminaire de l'exposition.

**Attention !** Les valeurs des émissions de vibrations en utilisant réellement l'outil peuvent différer des valeurs déclarées en fonction du mode d'usage de l'outil. Le niveau de vibration peut dépasser le niveau indiqué.

Pour évaluer l'exposition aux vibrations afin de déterminer les mesures de sécurité imposées par 2002/44/CE pour protéger les personnes utilisant régulièrement des outils électriques, une estimation de l'exposition aux vibrations devrait prendre en compte les conditions réelles et le mode d'utilisation de l'outil, notamment l'ensemble du cycle de fonctionnement ainsi l'arrêt de l'outil et son fonctionnement au ralenti, outre le démarrage.

## Étiquettes apposées sur l'outil

Les pictogrammes suivants sont présents sur l'outil:



**Attention !** Afin de réduire les risques de blessures, l'utilisateur doit lire le manuel d'instructions.

## Sécurité électrique



L'outil est doublement isolé ; par conséquent, aucun câble de masse n'est nécessaire. Vérifiez si le voltage mentionné sur la plaque signalétique de la machine correspond bien à la tension de secteur présente sur lieu.

- Si le câble d'alimentation est endommagé, il doit être remplacé par le fabricant ou par un centre de réparation agréé Black & Decker afin d'éviter tout accident.

## Caractéristiques

Cet outil comprend toutes ou certaines des caractéristiques suivantes.

1. Interrupteur à variateur de vitesse
2. Bouton de verrouillage
3. Sélecteur de rotation gauche/droite
4. Sélecteur de mode de perçage
5. Poignée latérale
6. Mandrin à clé (CD60RE)
6. Mandrin sans clé (CD60CRE/CD70CRE/CD70CKA/AST2XC)

## Assemblage

**Attention !** Avant l'assemblage, assurez-vous que l'outil est éteint et débranché.

### Montage de la poignée latérale (fig. A)

- Faites tourner la poignée (7) dans le sens anti-horaire jusqu'à ce que vous puissiez faire glisser la poignée latérale (5) sur le devant de l'outil comme indiqué.
- Faites tourner la poignée latérale dans la position souhaitée.
- Serrez la poignée latérale en la faisant tourner dans le sens horaire.

### Comment installer un foret ou un embout de tournevis (fig. B)

- Ouvrez le mandrin en faisant tourner la partie avant (8) d'une main tout en tenant la partie arrière (9) de l'autre main.
- Insérez la tige du foret (10) dans le mandrin et serrez fermement le mandrin.

### Comment enlever et replacer le mandrin (fig. C)

- Ouvrez le mandrin jusqu'à son ouverture maximum.
- Enlevez la vis de fixation du mandrin(11) situé à l'avant du mandrin en le faisant tourner dans le sens des aiguilles d'une montre à l'aide d'un tournevis.



- Placez une clé Allen (12) dans le mandrin et enfoncez-la avec un marteau comme indiqué.
- Enlevez la clé Allen.
- Enlevez le mandrin en le faisant tourner dans le sens anti-horaire.
- Pour replacer le mandrin, vissez-le sur l'arbre et serrez-le avec la vis de serrage.

## Utilisation

**Attention !** Laissez l'outil fonctionner à sa propre vitesse. Ne le surchargez pas.

**Attention !** Avant de percer les murs, les planchers ou les plafonds, vérifiez l'emplacement des fils électriques et des tuyaux.

### Sélection du sens de rotation (fig. D)

- Pour le perçage et le vissage, placez l'interrupteur de rotation droite/gauche (3) en position point mort.
- Pour desserrer des vis ou enlever un foret de perçage coincé, faites glisser l'interrupteur de rotation (3) vers l'arrière.

**Attention !** Ne changez jamais le sens de rotation lorsque le moteur est en marche.

### Sélection du mode de perçage

- Pour le perçage dans la maçonnerie, positionnez le sélecteur de mode de perçage (4) sur **T**.
- Pour le perçage dans d'autres matériaux et le vissage, positionnez le sélecteur de mode de perçage (4) sur **1**.

### Démarrage et arrêt (fig. E)

- Pour allumer l'outil, appuyez sur l'interrupteur de vitesse variable (1). La vitesse de l'outil dépend de la force que vous exercez sur l'interrupteur. En règle générale, utilisez des vitesses lentes pour les forets de perçage de gros diamètres et les vitesses rapides pour les forets de petits diamètres.
- Pour un fonctionnement en continu, appuyez sur le bouton de verrouillage (2) et relâchez l'interrupteur de vitesse variable. Cette option n'est disponible qu'en vitesse maximale.
- Pour éteindre l'outil, relâchez le sélecteur de vitesse. Pour éteindre l'outil lorsqu'il est en fonctionnement continu, appuyez sur l'interrupteur de vitesse variable une fois de plus et relâchez-le.

## Accessoires

Les performances de votre outil dépendent de l'accessoire que vous utilisez. Les accessoires

Black & Decker et Piranha sont conçus selon les normes de haute qualité pour améliorer les performances de votre outil. En utilisant ces accessoires, vous obtiendrez les meilleurs résultats de votre outil.

## Entretien

Votre outil a été conçu pour fonctionner pendant longtemps avec un minimum d'entretien. Un fonctionnement continu satisfaisant dépend d'un nettoyage régulier et d'un entretien approprié de l'outil.

**Attention !** Avant d'effectuer tout entretien, éteignez et débranchez l'outil.

- Nettoyez régulièrement les orifices de ventilation de votre outil à l'aide d'une brosse douce ou d'un chiffon sec.
- Nettoyez régulièrement le compartiment du moteur à l'aide d'un chiffon humide. N'utilisez pas de produit abrasif ou à base de solvant.

## Protection de l'environnement



Collecte séparée. Ce produit ne doit pas être jeté avec les déchets domestiques normaux.

Si vous décidez de remplacer ce produit Black & Decker, ou si vous n'en avez plus l'utilité, ne le jetez pas avec vos déchets domestiques. Rendez-le disponible pour une collecte séparée.



La collecte séparée des produits et emballages usés permet le recyclage des articles afin de les utiliser à nouveau. Le fait d'utiliser à nouveau des produits recyclés permet d'éviter la pollution environnementale et de réduire la demande de matières premières.

Les réglementations locales peuvent permettre la collecte séparée des produits électriques du foyer, dans des déchetteries municipales ou auprès du revendeur vous ayant vendu votre nouveau produit.

Black & Decker fournit un dispositif permettant de collecter et de recycler les produits Black & Decker lorsqu'ils ont atteint la fin de leur cycle de vie. Pour pouvoir profiter de ce service, veuillez retourner votre produit à un réparateur agréé qui se chargera de le collecter pour nous.

Pour connaître l'adresse du réparateur agréé le plus proche de chez vous, contactez le bureau

Black & Decker à l'adresse indiquée dans ce manuel. Vous pourrez aussi trouver une liste des réparateurs agréés de Black & Decker et de plus amples détails sur notre service après-vente sur le site Internet à l'adresse suivante :

[www.2helpU.com](http://www.2helpU.com)

### Caractéristiques techniques

		CD60CRE	CD60RE	CD70CRE
Tension	V <sub>AC</sub>	230	230	230
Puissance absorbée W		600	600	710
Vitesse à vide	min <sup>-1</sup>	0-2 800	0-2 800	0-2 800
Capacité max. de perçage				
Acier/béton	mm	13	13	13
Bois	mm	25	25	25
Poids	kg	1,84	1,84	1,84

		CD70CKA	AST2XC
Tension	V <sub>AC</sub>	230	230
Puissance absorbée W		710	710
Vitesse à vide	min <sup>-1</sup>	0-2 800	0-2 800
Capacité max. de perçage			
Acier/béton	mm	13	13
Bois	mm	25	25
Poids	kg	1,84	1,84

### Déclaration de conformité



CD60CRE TYPE1/CD60RE TYPE1/CD70CRE  
TYPE1/CD70CKA TYPE1/AST2XC

Black & Decker déclare que ces produits sont conformes à : 98/37/CE, EN 60745

Niveau de pression acoustique selon EN 60745 :  
Pression acoustique (L<sub>PA</sub>) 106 dB(A), incertitude (K) 3 dB(A), Puissance acoustique (L<sub>WA</sub>) 117 dB(A), incertitude (K) 3 dB(A)

Valeurs totales de vibration (somme vectorielle triax) selon EN 60745 :

Perçage à percussion dans le béton (a<sub>h, ID</sub>)  
16,3 m/s<sup>2</sup>, incertitude (K) 2,2 m/s<sup>2</sup>, Perçage dans le  
métal (a<sub>h, D</sub>) 8,2 m/s<sup>2</sup>, incertitude (K) 1,5 m/s<sup>2</sup>

Le soussigné est responsable de la compilation du fichier technique et effectue cette déclaration au nom de Black & Decker.

Kevin Hewitt  
Directeur Ingénierie Client  
Spennymoor, County Durham  
DL16 6JG, Royaume Uni  
1-10-2008

### Garantie

Black & Decker est confiant dans la qualité de ses produits et vous offre une garantie très étendue. Ce certificat de garantie est un document supplémentaire et ne peut en aucun cas se substituer à vos droits légaux. La garantie est valable sur tout le territoire des Etats Membres de l'Union Européenne et de la Zone de Libre Echange Européenne.

Si un produit Black & Decker s'avère défectueux en raison de matériaux en mauvaises conditions, d'une erreur humaine, ou d'un manque de conformité dans les 24 mois suivant la date d'achat, Black & Decker garantit le remplacement des pièces défectueuses, la réparation des produits usés ou cassés ou remplace ces produits à la convenance du client, sauf dans les circonstances suivantes :

- Le produit a été utilisé dans un but commercial, professionnel, ou a été loué.
- Le produit a été mal utilisé ou avec négligence.
- Le produit a subi des dommages à cause d'objets étrangers, de substances ou à cause d'accidents.
- Des réparations ont été tentées par des techniciens ne faisant pas partie du service technique de Black & Decker.

Pour avoir recours à la garantie, il est nécessaire de fournir une preuve d'achat au vendeur ou à un réparateur agréé. Pour connaître l'adresse du réparateur agréé le plus proche de chez vous, contactez le bureau Black & Decker à l'adresse indiquée dans ce manuel. Vous pourrez aussi trouver une liste des réparateurs agréés de Black & Decker et de plus amples détails sur notre service après-vente sur le site Internet à l'adresse suivante : [www.2helpU.com](http://www.2helpU.com)

Visitez notre site Web [www.blackanddecker.fr](http://www.blackanddecker.fr) pour enregistrer votre nouveau produit Black & Decker et être informé des nouveaux produits et des offres spéciales. Pour plus d'informations concernant la marque Black & Decker et notre gamme de produits, consultez notre site [www.blackanddecker.fr](http://www.blackanddecker.fr)

## Použití

Vaše příklepová vrtačka Black & Decker je určena k vrtání dřeva, kovu, plastů a zdiva, zrovna tak jako ke šroubování. Toto nářadí je určeno pouze pro spotřebitelské použití.

## Bezpečnostní pokyny

### Všeobecné bezpečnostní pokyny pro práci s elektrickým nářadím



**Varování! Pozorně si přečtěte veškerá bezpečnostní varování a pokyny.** Nedodržení níže uvedených pokynů může mít za následek úraz elektrickým proudem, vznik požáru anebo vážné poranění.

**Veškerá bezpečnostní varování a pokyny uschovejte pro případné další použití.** Označení „elektrické nářadí“ ve všech níže uvedených upozorněních odkazuje na vaše nářadí napájené ze sítě (obsahuje napájecí přívodní šňůru) nebo nářadí napájené z akumulátorů (bez napájecího kabelu).

#### 1. Bezpečnost v pracovním prostoru

- Udržujte pracovní prostor v čistotě a dobře osvětlený.** Nepořádek na pracovním stole a nedostatek světla v jeho okolí může vést ke způsobení nehody.
- S elektrickým nářadím nepracujte ve výbušných prostorách, jako jsou například prostory, ve kterých se vyskytují hořlavé kapaliny, plyny nebo prašné látky.** Elektrické nářadí je zdrojem jiskření, jež může vést ke vznícení hořlavin.
- Při práci s výkonným nářadím držte děti a okolní osoby z jeho dosahu.** Rozptylování může způsobit ztrátu kontroly nad nářadím.

#### 2. Elektrická bezpečnost

- Zástrčka napájecího kabelu nářadí musí odpovídat zásuvce. Zástrčku nikdy žádným způsobem neupravujte. U nářadí chráněného zemněním nepoužívejte jakékoliv redukce zástrček.** Neupravované zástrčky a odpovídající zásuvky snižují riziko vzniku úrazu elektrickým proudem.
- Nedotýkejte se uzemněných povrchů, jako jsou například potrubí, radiátory, elektrické sporáky a chladničky.** Při uzemnění Vašeho těla vzrůstá riziko úrazu elektrickým proudem.
- Nevystavujte elektrické nářadí dešti nebo vlhkému prostředí.** Pokud do nářadí vnikne

voda, zvýší se riziko úrazu elektrickým proudem.

- S napájecím kabelem zacházejte opatrně. Nikdy nepoužívejte napájecí kabel k přenášení nářadí, k jeho posouvání a při odpojování nářadí od elektrické sítě za něj netahajte.** Napájecí kabel držte z dosahu tepelných zdrojů, oleje, ostrých hran nebo pohyblivých částí. Poškozený nebo zapletený napájecí kabel zvyšuje riziko vzniku úrazu elektrickým proudem.
- Při práci s nářadím venku používejte prodlužovací kabely určené pro venkovní použití.** Práce s prodlužovacím kabelem pro venkovní použití snižuje riziko vzniku úrazu elektrickým proudem.
- Při práci s elektrickým nářadím ve vlhkém prostředí je nezbytně nutné použít v napájecím okruhu proudový chránič (RCD).** Použití proudového chrániče RCD snižuje riziko úrazu elektrickým proudem.

#### 3. Osobní bezpečnost

- Zůstaňte stále pozorní, sledujte, co provádíte a při práci s elektrickým nářadím přemýšlejte.** Nepoužívejte elektrické nářadí, jste-li unaveni nebo jste-li pod vlivem drog, alkoholu nebo léků. Chvilka nepozornosti při práci s nářadím může vést k vážnému úrazu.
- Používejte prvky osobní ochrany. Vždy používejte prostředky k ochraně zraku.** Bezpečnostní výbava jako je respirátor, neklouzavá bezpečnostní obuv, pevná přilba nebo ochranné sluchátka použitá v odpovídajících podmínkách snižuje riziko úrazu.
- Zabraňte náhodnému spuštění. Před připojením ke zdroji napětí nebo před vložením akumulátoru, zvednutím nebo přenášením nářadí zkontrolujte, zda je hlavní spínač vypnutý.** Přenášení nářadí s prstem na hlavním vypínači nebo připojení napájecího kabelu k elektrickému rozvodu, pokud je hlavní vypínač nářadí v poloze zapnuto, může způsobit úraz.
- Před spuštěním nářadí se vždy ujistěte, zda nejsou v jeho blízkosti klíče nebo seřizovací přípravky.** Klíče nebo seřizovací přípravky zapomenuté na pohyblivých částech nářadí mohou způsobit úraz.
- Nepřekázejte sami sobě. Při práci vždy udržujte vhodný a pevný postoj.** To umožní

lepší ovladatelnost nářadí v neočekávaných situacích.

- f. **Vhodně se oblékejte. Nenoste volný oděv nebo šperky. Dbejte na to, aby se Vaše vlasy, oděv nebo rukavice nedostaly do nebezpečné blízkosti pohyblivých částí.** Volné oděvy, šperky nebo dlouhé rozpuštěné vlasy mohou být zachyceny pohyblivými částmi.
  - g. **Pokud je zařízení vybaveno adapterem pro připojení zařízení k zachytávání prachu, zajistěte jeho správné připojení a řádnou funkci.** Použití těchto zařízení může snížit nebezpečí týkající se prachu.
4. **Použití elektrického nářadí a jeho údržba**
    - a. **Netlačte příliš na nářadí. Používejte správný typ nářadí pro Vaši práci.** Při použití správného typu nářadí bude práce provedena lépe a bezpečněji .
    - b. **Pokud nelze hlavní vypínač nářadí zapnout a vypnout, s nářadím nepracujte.** Jakékoliv nářadí s nefunkčním hlavním vypínačem je nebezpečné a musí být opraveno.
    - c. **Před výměnou jakýchkoliv částí, příslušenství či jiných připojených součástí, před prováděním servisu nebo pokud nářadí nepoužíváte, odpojte je od elektrické sítě a/nebo vyjměte akumulátor.** Tato preventivní bezpečnostní opatření snižují riziko náhodného spuštění nářadí.
    - d. **Pokud nářadí nepoužíváte, uložte je mimo dosah dětí a zabraňte osobám neobeznámených s obsluhou nářadí nebo s tímto návodem, aby s nářadím pracovali.** Výkonné nářadí je v rukou nekvalifikované obsluhy nebezpečné.
    - e. **Údržba nářadí. Zkontrolujte vychýlení či zaseknutí pohyblivých částí, poškození jednotlivých dílů a jiné okolnosti, jež mohou mít vliv na chod nářadí. Pokud je nářadí poškozeno, nechejte jej opravit.** Mnoho nehod bývá způsobeno zanedbanou údržbou nářadí.
    - f. **Řezné nástroje udržujte ostré a čisté.** Řádně udržované řezné nástroje s ostrými řeznými břity jsou méně náchylné k zanášení nečistotami a lépe se s nimi manipuluje.
    - g. **Nářadí, příslušenství a držáky nástrojů používejte podle těchto pokynů a způsobem určeným daným typem nářadí, berte v úvahu provozní podmínky a práci, kterou je nutné vykonat.** Použití nářadí k jiným

účelům, než k jakým je určeno, může být nebezpečné.

## 5. Opravy

- a. **Opravy elektrického nářadí svěřte kvalifikovanému technikovi, jež používá shodné náhradní díly.** Tím zajistíte bezpečný provoz nářadí.

## Doplňkové bezpečnostní pokyny pro práci s elektrickým nářadím



**Varování!** Doplnkové bezpečnostní pokyny pro vrtačka vrtačky s přiklepem

- **Při vrtání s přiklepem používejte ochranu sluchu.** Nadměrná hluchnost může způsobit ztrátu sluchu.
- **Používejte přídavné rukojeti dodávané s nářadím.** Ztráta kontroly nad nářadím může vést k úrazu.
- **Při pracovních operacích, u kterých by mohlo dojít ke kontaktu se skrytými vodiči nebo s vlastním napájecím kabelem, držte elektrické nářadí vždy za izolované rukojeti.** Při kontaktu s "živým" vodičem se nechráněné kovové části nářadí stanou také "živé" a obsluha tak utrpí zásah elektrickým proudem.
- **Obrobek si k pevně podložce upněte pomocí svorek či jiným vhodným způsobem.** Držení obrobku rukou nebo jeho přitisknutí k tělu způsobí, že bude nestabilní, a může to vést ke ztrátě kontroly.
- Před vrtáním do zdí, podlah nebo stropů zjistěte polohu skrytých elektrických vedení a trubek.
- Vyvarujte se doteku s hrotem vrtáku ihned po skončení vrtání, může být rozpálen.
- Tento přístroj není určen k použití osobami (včetně dětí) se sníženými fyzickými, smyslovými nebo duševními schopnostmi, nebo nedostatkem zkušeností a znalostí, pokud těmto osobám nebyl stanoven dohled, nebo pokud jim nebyly poskytnuty instrukce týkající se použití přístroje osobou zodpovědnou za jejich bezpečnost. Děti by měly být pod dozorem, aby si s přístrojem nehrály.
- V tomto návodu je popsáno správné použití nářadí. Použití jakéhokoliv jiného příslušenství nebo přídavných zařízení, nebo provádění jakéhokoliv jiného využití tohoto přístroje, než je popsáno v tomto návodu k použití, může mít za následek riziko poranění osob nebo škody na majetku.

## Vibrace

Deklarovaná úroveň vibrací uvedená v technických údajích a v prohlášení o shodě byla měřena v souladu se standardní zkušební metodou předepsanou normou EN 60745 a může být použita ke srovnání jednotlivých nářadí mezi sebou. Deklarovaná úroveň vibrací může být také použita k předběžnému stanovení doby práce s tímto výrobkem.

**Varování!** Úroveň vibrací při aktuálním použití elektrického nářadí se může od deklarované úrovně vibrací lišit v závislosti na způsobu použití výrobku. Úroveň vibrací může být oproti uvedené hodnotě vyšší.

Při stanovení vystavení se vibracím k určení bezpečnostních opatření podle normy 2002/44/EC k ochraně osob pravidelně používajících elektrické nářadí v zaměstnání by měl předběžný odhad působení vibrací brát na zřetel aktuální podmínky použití nářadí s přihlédnutím na všechny části pracovního cyklu, jako doby, při které je nářadí vypnuto a kdy běží naprázdno.

## Štítky na nářadí

Na stroji jsou následující piktogramy:



**Varování!** Ke snížení rizika vzniku úrazu musí být obsluha obeznámena s tímto návodem k obsluze.

## Elektrická bezpečnost



Toto nářadí je chráněno dvojitou izolací; z tohoto důvodu není nutná ochrana uzemněním. Vždy zkontrolujte, zda zdroj napětí odpovídá napětí na výkonovém štítku.

- Poškozený napájecí kabel musí být bezpečně vyměněn výrobcem nebo autorizovaným servisním zástupcem firmy Black & Decker.

## Popis

Toto nářadí je vybaveno některými nebo všemi následujícími prvky.

1. Spínač s regulací otáček
2. Zajišťovací tlačítko
3. Přepínač dopředu/zpětný chod
4. Volič režimu vrtání
5. Boční rukojeť
6. Sklíčidlo s kličkou (CD60RE)
6. Rychloupínací sklíčidlo (CD60CRE/CD70CRE/CD70CKA/AST2XC)

## Montáž

**Varování!** Před montáží se ujistěte, zda je nářadí vypnuto a zda je napájecí kabel odpojen od zásuvky.

### Upevnění boční rukojeti (obr. A)

- Otočte držadlem (7) proti směru chodu hodinových ručiček tak, aby bylo možné boční rukojeť (5) nasunout podle obrázku na přední stranu nářadí.
- Otočte boční rukojeť do požadované polohy.
- Dotáhněte boční rukojeť otáčením držadla po směru pohybu hodinových ručiček.

### Nasazení vrtáku nebo šroubovací násady (obr. B)

- Otevřete sklíčidlo tak, že jednou rukou budtet otáčet přední části (8), zatímco druhou rukou budete přidržovat zadní část (9).
- Do sklíčidla zasuňte dřek násady (10) a sklíčidlo pevně dotáhněte.

### Sejmutí a nasazení sklíčidla (obr. C)

- Čelisti sklíčidla rozevřete co nejvíce.
- Odšroubujte pomocí šroubováku otáčením ve směru chodu hodinových ručiček přídržný šroub (11) umístěný v přední části sklíčidla.
- Do sklíčidla upněte imbusový klíč (12) a udeřte do něj kladivem způsobem znázorněným na obrázku.
- Imbusový klíč vyjměte.
- Otáčením proti směru hodinových ručiček sklíčidlo vyšroubujte.
- Sklíčidlo nasadíte zpět tak, že jej našroubujete na hřídel a zajistíte přídržným šroubem.

## Použití

**Varování!** Nechejte nářadí pracovat vlastním tempem. Zamezte přetěžování nářadí.

**Varování!** Před vrtáním do zdí, podlah nebo stropů zjistěte polohu skrytých elektrických vedení a potrubí.

### Volba směru otáčení (obr. D)

- Pro vrtání a utahování šroubků přepněte přepínač pro chod vpřed / vzad (3) do neutrální polohy.
- Pro povolování šroubků nebo vyjímání zaseknutého vrtáku přepněte přepínač pro chod vpřed / vzad (3) vlevo.

**Varování!** Nikdy neměňte směr otáčení za chodu motoru.

## Volba provozního režimu

- Pro vrtní do zdva přepněte volič režimu vrtní (4) do polohy **T**.
- Pro vrtní do ostatních materiálů a pro šroubování nastavte volič režimů (4) do polohy **1**.

## Zapnutí a vypnutí (obr. E)

- Nářadí zapnete stisknutím spínače s regulací otáček (1). Otáčky nářadí závisí na intenzitě stisknutí tohoto spínače. Obecně používejte nižší otáčky pro větší průměry vrtáků a vyšší otáčky pro menší průměry.
- Chcete-li zajistit nepřetržitý chod nářadí, stiskněte zajišťovací tlačítko (2) a uvolněte spínač s regulací otáček. Tato funkce je k dispozici pouze při plných otáčkách.
- Nářadí vypneme tak, že uvolníme stisk hlavního vypínače s regulací otáček. Pro vypnutí nářadí za plynulého chodu stiskněte opět spínač s regulací otáček a uvolněte jej.

## Příslušenství

Výkon Vašeho nářadí závisí na použitém příslušenství. Příslušenství Black & Decker a Piranha je zkonstruováno k vytvoření standardu vysoké kvality a je určeno ke zvýšení výkonnosti vašeho nářadí. Za pomoci tohoto příslušenství dosáhnete s vašim nářadím těch nejlepších výsledků.

## Údržba

Vaše nářadí bylo navrženo tak, aby mělo dlouhou provozní životnost a minimální nároky na údržbu. Řádná péče o nářadí a jeho pravidelné čištění vám zajistí jeho bezproblémový chod.

**Varování!** Před prováděním jakékoliv údržby nářadí vypněte a odpojte napájecí kabel od sítě.

- Pomocí měkkého kartáče nebo suchého hadříku pravidelně čistěte větrací drážky na nářadí.
- Pravidelně čistěte kryt motoru vlhkým hadříkem. Nepoužívejte k čištění abrazivní prostředky ani rozpouštědla.

## Ochrana životního prostředí



Třídění odpadu. Tento výrobek nesmí být likvidován spolu s běžným komunálním odpadem.

Jednoho dne zjistíte, že nářadí Black & Decker musíte vyměnit nebo jej nebudete dále používat. V tomto případě myslíte na ochranu životního

prostředí a nevyhazujte přístroj do domácího odpadu. Likvidujte toto nářadí v tříděném odpadu.



Tříděný odpad umožňuje recyklaci a opětovné využití použitých výrobků a obalových materiálů. Opětovné použití recyklovaných materiálů pomáhá chránit životní prostředí před znečištěním a snižuje spotřebu surovin.

Místní sběrný odpadů, recyklační stanice nebo prodejny vám poskytnou informace o správné likvidaci elektroodpadů z domácnosti.

Také společnost Black & Decker poskytuje možnost sběru použitých výrobků nebo jejich recyklaci po ukončení jejich provozní životnosti. Využijte této bezplatné služby a odevzdejte váš nepoužívaný přístroj kterémukoli autorizovanému středisku.

Místo vaší nejbližší autorizované servisní pobočky Black & Decker se dozvíte na příslušné adrese uvedené na zadní straně tohoto návodu. Seznam autorizovaných středisek Black & Decker a všechny podrobnosti týkající se poprodejního servisu naleznete také na internetové adrese: **www.2helpU.com**

## Technické údaje

		CD60CRE	CD60RE	CD70CRE
Napájecí napětí	$V_{AC}$	230	230	230
Příkon	W	600	600	710
Otáčky				
naprázdno	$min^{-1}$	0-2 800	0-2 800	0-2 800
Maximální průměr vrtní				
Ocel/beton	mm	13	13	13
Dřevo	mm	25	25	25
Hmotnost	kg	1,84	1,84	1,84

		CD70CKA	AST2XC
Napájecí napětí	$V_{AC}$	230	230
Příkon	W	710	710
Otáčky			
naprázdno	$min^{-1}$	0-2 800	0-2 800
Maximální průměr vrtní			
Ocel/beton	mm	13	13
Dřevo	mm	25	25
Hmotnost	kg	1,84	1,84

**ES Prohlášení o shodě**



CD60CRE TYPE1/CD60RE TYPE1/CD70CRE  
TYPE1/CD70CKA TYPE1/AST2XC

Společnost Black & Decker prohlašuje, že tento  
výrobek odpovídá následujícím normám: 98/37/  
EC, EN 60745

Hladina akustického tlaku podle normy EN 60745:  
Akustický tlak ( $L_{pA}$ ) 106 dB(A), odchylka (K)  
3 dB(A), akustický výkon ( $L_{WA}$ ) 117 dB(A), odchylka  
(K) 3 dB(A)

Celková úroveň vibrací (prostorový vektorový  
součet) podle normy EN 60745:

Vrtání s příklepem do betonu ( $a_{h, ID}$ ) 16,3 m/s<sup>2</sup>,  
odchylka (K) 2,2 m/s<sup>2</sup>, vrtání do kovu ( $a_{h, D}$ )  
8,2 m/s<sup>2</sup>, odchylka (K) 1,5 m/s<sup>2</sup>

Níže podepsaná osoba je odpovědná za sestavení  
technických údajů a provádí toto prohlášení  
v zastoupení společnosti Black & Decker.

Kevin Hewitt  
Ředitel spotřebitelské  
techniky  
Spennymoor, County Durham  
DL16 6JG, Velká Británie  
1-10-2008

## Politika služby zákazníkům

Spokojenost zákazníka s výrobkem a servisem je náš nejvyšší cíl.

Kdykoli budete potřebovat radu či pomoc, obraťte se s důvěrou na nejbližší servis Black & Decker, kde Vám vyškolený personál poskytne naše služby na nejvyšší úrovni.

## Záruka Black & Decker 2 roky

Blahopřejeme Vám ke koupi tohoto kvalitního výrobku Black & Decker.

Náš závazek ke kvalitě v sobě samozřejmě zahrnuje také naše služby zákazníkům.

Proto nabízíme záruční lhůtu daleko přesahující minimální požadavky vyplývající ze zákona.

Kvalita tohoto přístroje nám umožňuje nabídnout Vám záruční lhůtu po dobu 24 měsíců.

Objeví-li se jakékoliv materiálové nebo výrobní vady v průběhu **24 měsíců** záruční lhůty, garantujeme jejich bezplatné odstranění případně, dle našeho uvážení, bezplatnou výměnu přístroje za následujících podmínek:

- Příklad: Přístroj bude dopraven (spolu s originálním záručním listem Black & Decker a s dokladem o nákupu) do jednoho z pověřených servisních středisek Black & Decker, která jsou autorizována k provádění záručních oprav.
  - Přístroj byl používán pouze s originálním příslušenstvím či přídatnými zařízeními a příslušenstvím BBW či Piranha, které je výslovně doporučeno jako vhodné k používání spolu s přístroji Black & Decker.
  - Přístroj byl používán a udržován v souladu s návodem k obsluze.
  - Přístroj nevykazuje žádné příčiny poškození způsobené opotřebením.
  - Motor přístroje nebyl přetěžován a nejsou patrné žádné známky poškození vnějšími vlivy.

- Do přístroje nebylo zasahováno nepovolovanou osobou. Osoby povolané tvoří personál pověřených servisních středisek Black & Decker, která jsou autorizována k provádění záručních oprav.

Navíc servis Black & Decker poskytuje na veškeré provedené opravy a vyměněné náhradní díly další servisní záruční lhůtu 6 měsíců.

Záruka se nevztahuje na spotřební příslušenství (vrtáky, šroubovací nástavce, pilové kotouče, hoblovací nože, brusné kotouče, pilové listy, brusný papír a pod.).

Black & Decker nabízí rozsáhlou síť autorizovaných servisních oprav a sběrných středisek, jejichž seznam naleznete na záručním listu.

## Black & Decker

Klážterského 2  
143 00 Praha 4 - Modřany

Tel.: 244 402 450

Fax: 241 770 204

recepce@blackanddecker.cz

Právo na případné změny vyhrazeno.

**06/2004**



## Rendeltetésszerű használat

Szívből gratulálunk új Black & Decker Ütvefűrójához. Ezt a készüléket fa, fém, műanyagok és kőzet fűrésására valamint csavarozásra terveztük. Az ütvefűró iparszerű felhasználásra nem alkalmas.

## Általános biztonságtechnikai előírások



**Figyelem! Figyelmesen olvassa el a kezelési útmutatót a gép üzembe helyezése előtt.** Elektromos szerszám használatakor mindig tartsa be az alábbi alapvető biztonsági rendszabályokat, így elkerülheti a tűzveszély, az elektromos áramütés, a személyi sérülések és az anyag károsodásának lehetőségét.

**Kérjük, gondosan őrizze meg a kezelési útmutatót, hogy a későbbiekben is bármikor utánanézhessen a géppel kapcsolatos összes információnak.** Mielőtt bármilyen beállítást változtat a gépen, vagy karbantartási munkába kezd, mindig csatlakoztassa le a készüléket a hálózati áramforrásról.

### 1) Munkaterület

- a. **Tartsa rendben és világítsa meg munkahelyét.** A zsúfolt, rendetlen munkaterület növeli a balesetveszélyt. Gondoskodjon a munkaterület megfelelő megvilágításáról.
- b. **Ne használja a készüléket robbanás és tűzveszélyes helyeken, például gyúlékony folyadékok és gázok közelében.** Elektromos kéziszerszámok használatakor szikra keletkezhet, mely begyújthatja a port vagy gázt.
- c. **Tartsa távol a gyerekeket.** Gondoskodjon arról, hogy gyereket, más személyek vagy állatok ne közelíthessék meg a munkaterületet, ne érinthessék meg a készüléket és a hálózati kábelt, továbbá elvonhatják figyelmét a készülék irányításáról.

### 2) Elektromos biztonság

- a. **A készülék csatlakozódugójának illeszkednie kell a dugaszoló aljzathoz. Soha ne változtasson a csatlakozódugón. Soha ne használjon semmilyen adaptert földelt készülékekkel.** Az eredeti csatlakozódugó és a megfelelő dugaszoló aljzat használatával jelentősen csökkenthető az elektromos áramütés kockázata.

- b. **Kerülje az érintkezést fémes részekkel (például csövek, radiátorok, tűzhelyek és hűtőszekrények).** Viseljen gumitalpú cipőt. Extrém munkakörülmények között (pl.: magas páratartalom, fémpor keletkezése esetén) az elektromos biztonság növelhető egy leválasztó transzformátor vagy hibaáram-védelmi kapcsoló előkapcsolásán keresztül.
  - c. **Legyen figyelmelemmel a környezet behatásokra.** Ne hagyja szabadban a gépet, óvja az esőtől. Ne használja nyirkos, nedves környezetben.
  - d. **Bánjon gondosan a kábellel. Soha ne a kábelnél fogva vigye a gépet, és kérjük, ne a kábelnél fogva húzza ki a csatlakozódugót a konnektorból. Tartsa távol a kábelt éles szélektől, védje olajtól és hőtől. Minden használat előtt ellenőrizze a kábel állapotát, és ne indítsa be a gépet, ha a kábel sérült.** Sérült vagy összetekeredett hálózati kábel használata jelentősen növelheti az elektromos áramütés kockázatát.
  - e. **A szabadban kizárólag csak az arra jóváhagyott és jelöléssel ellátott hosszabbító kábelt szabad használni.** Használat előtt ellenőrizze a hosszabbító kábelt és cserélje le, ha sérült. Teljesítmény csökkenés nélkül max. 30m hosszú, kéteres Black & Decker hosszabbító kábelt használhat.
  - f. **Ha elkerülhetetlen a készülék nedves környezetben való használata, használjon egy leválasztó transzformátort vagy hibaáram-védelmi kapcsolót.** Extrém munkakörülmények között (pl.: magas páratartalom, fémpor keletkezése esetén) az elektromos biztonság növelhető egy leválasztó transzformátor vagy hibaáram-védelmi kapcsoló előkapcsolásán keresztül
- ### 3) Személy védelem
- a. **Figyeljen munkájára. Figyeljen mindig arra, amit tesz. Használja az összes érzékszervét. Ne használja a készüléket, ha fáradt, vagy ha hallucinogén anyag, alkohol vagy gyógyszeres befolyásoltság alatt áll.** Elektromos kéziszerszám használatakor pillanatnyi figyelmetlenség is súlyos baleset előidézője lehet.
  - b. **Viseljen védőfelszerelést. Mindig viseljen védőszemüveget.** Használjon arc vagy pormaszkot, ha az elvégzendő munka nagy porral, vagy lepattanó részekkel járhat.

Valamint viseljen csúszásmentes lábbelit és védősisakot. Ügyeljen a hallásvédelemre is.

- c. Ne hagyja felügyelet nélkül bekapcsolva a gépet. Győződjön meg róla, hogy az üzemi kapcsoló kikapcsolt állapotban van, mielőtt az áramforrásra csatlakoztatja.** Ne szállítsa a feszültség alatt lévő gépet ujjával az üzemi kapcsolón, mivel ez súlyos baleset előidézője lehet.

- d. Ne hagyjon szerelőkulcsot a gépben.**

A munka megkezdése előtt mindig ellenőrizze, hogy a szerelőszerszámot (kulcsot) eltávolította-e a készülékből.

- e. Álljon biztonságosan. Kerülje a rendellenes testtartást, és egyensúlyát soha ne veszítse el munkavégzés közben.** Így jobban irányíthatja a készüléket, még váratlan helyzetekben is.

- f. Viseljen megfelelő munkaruházatot. Szabadban viseljen gumikesztyűt és csúszásmentes lábbelit. Ne hordjon ékszert vagy laza ruházatot munkavégzés közben. Tartsa távol hosszú haját, ruházatát és munkakesztyűjét a mozgó részekről.**

A laza ruházat, ékszerek vagy hosszú haj beakadhatnak a mozgó részekbe. Hosszú haj esetében használjon sapkát, hogy ne zavarja a munkában.

- g. Ha a készüléken megtalálható a porelszívási lehetőség, vagy a porzsák, úgy ügyeljen arra, hogy megfelelően csatlakoztassa és használja ezeket munka közben.** Porelszívó berendezés használatával nagymértékben csökkenthetőek a por okozta veszélyek.

- 4) Az elektromos kéziszerszám használata és ápolása**

- a. Mindig a megfelelő szerszámot használja. Ne erőltesse a kéziszerszámot.** A készülék rendeltetészerű használatáról korábban már említést tettünk. Ne erőltesse túl a kisebb teljesítményű készülékeket, vagy tartozékokat, nagyobb teljesítményt igénylő munkánál. A termékkel jobban és biztonságosabban elvégezheti a munkát, hogy ha a teljesítmény kategóriájának megfelelően használja. **Figyelem!** Az Ön biztonsága érdekében csak olyan tartozékot, illetve kiegészítő berendezést használjon, melyet a kezelési utasítás ajánl.

- b. Ne használja a gépet, ha a kapcsoló nem működőképes.** Bármely kéziszerszám használata, amely nem irányítható megfelelően

az üzemi kapcsolóval, nagyon veszélyes, ezért azonnal meg kell javíttatni a kapcsolót, ha sérült vagy nem működőképes.

- c. Áramtalanítsa a készüléket.** Mindig áramtalanítsa a készüléket, ha nem használja azt; mielőtt változtatna a gép bármely beállításán; tartozékot vagy feltétet cserél; valamint a termék átvizsgálása előtt.

- d. Ügyeljen a készülék megfelelő tárolására. Ha nem használja a készüléket, tartsa száraz, gyermekek elől gondosan elzárt helyen.** Az elektromos kéziszerszámok használata veszélyes lehet nem képzett felhasználó esetén.

- e. Ellenőrizze a készülék állapotát. Használat előtt mindig ellenőrizze a készüléket és a hálózati kábelt. Vizsgálja meg, hogy a mozgó részek megfelelően működnek, nincsenek akadályoztatva. Ellenőrizze a részegységeket, olajozásukat, esetleg előforduló töréseit, a kézvédő vagy a kapcsoló sérüléseit és minden olyan rendellenességet, ami befolyásolhatja a készülék használatát.** Bizonyosodjon meg róla, hogy a készülék megfelelően működik, és a kategóriájával egyenértékű teljesítményt biztosít. Ne használja a gépet, ha valamelyik alkatrésze sérült. A sérült vagy hibás alkatrészek javítását vagy cseréjét csak a kijelölt szakszervizek végezhetik. Soha ne kísérelje meg a javítást Önállóan, a sérült részeket és védőberendezéseket előírás szerint kell javíttatni vagy cseréltetni.

- f. A vágóeleket tartsa élesen és tisztán a jobb és biztonságosabb munkavégzés érdekében.** Kövesse a karbantartásra és tartozékcserére vonatkozó előírásokat. Tartsa a fogantyúkat és kapcsolókat szárazon, tisztán és olajtól, zsírtól mentesen.

- g. Rögzítse a munkadarabot. Használjon satut vagy más leszorító eszközt a munkadarab rögzítésére.** Így biztonságossá válik a munkavégzés, és mindkét keze szabadon marad a gép irányítására.

- 5) Javítás**

- a. Ez a kéziszerszám megfelel a vonatkozó biztonsági előírásoknak. Javítást csak szakszerviz végezhet, és csak eredeti gyári alkatrészeket szabad felhasználni.** A szakszerűten javítás súlyos baleset előidézője lehet.

## Kiegészítő biztonságtechnikai előírások kéziszerszámokhoz



**Figyelem!** Kiegészítő biztonságtechnikai előírások fűrőkhöz és fűrőkalapácsokhoz.

- **Viseljen hallásvédőt.** A magas zajszint halláskárosodáshoz vezethet.
- **Mindig használja a készülékkel szállított pótfogantyút.** A készülék feletti irányítás elvesztése, súlyos baleset előidézője lehet.
- **A készüléket csak a szigetelt markolati felületen tartsa, ha olyan munkát végez, ahol a befogott tartozék rejtett vezetékkel vagy saját hálózati kábelével érintkezhet.** Élő vezetékkel való találkozás a készülék fém részeit is élővé, vezetővé teszi, és így elektromos áramütés veszélyét jelenti a felhasználó részére.
- **Használjon lezorító eszközt vagy satut a munkadarab biztosításához, illetve megtámasztásához.** Az irányítás elvesztéséhez vezethet, és személyi sérülést okozhat, ha a munkadarabot a kezében tartja, vagy testéhez támasztja.
- Mielőtt fűrési munkálatba kezdene falazatba, padlózatba, vagy tetőzetbe, mindig ellenőrizze a vezetékek és csövek elhelyezkedését.
- Soha ne érintse meg a fűrőszár hegyét azonnal a munka befejezése után, mivel ez forró lehet.
- A készülék használatát fiataloknak, illetve képzetlen felhasználók részére csak felügyelet mellett engedélyezze. Gyermekek esetén különösen kiemelt felügyelet szükséges, hogy ne játszanak a készülékkel.
- A készülék rendeltetésszerű használatát már korábban körül írtuk. Ne erőltesse túl a kisebb teljesítményű készülékeket, vagy tartozékokat, nagyobb teljesítményt igénylő munkánál. A termékkel jobban és biztonságosabban elvégezheti a munkát, hogy ha a teljesítmény kategóriájának megfelelően használja. Ne erőltesse a szerszámot. Az Ön biztonsága érdekében csak olyan tartozékot, illetve kiegészítő berendezést használjon, melyet a kezelési utasítás ajánl.

### Vibráció

A megállapított vibráció emisszió érték a standard teszt metódus szerint EN60745 szabvány szerint van mérve, és egy másik készülékkel való összehasonlításra szolgál. A megállapított vibráció emisszió érték, szintén használható a kitettség előzetes megbecslésére.

**Figyelem!** A vibráció emisszió érték a készülék használatakor eltérhet a megállapított értéktől a készülék használatának módjától függően. A vibráció érték az itt megállapított szint fölé emelkedhet.

A keletkező vibrációs mérték meghatározása: a 2002/44/EC szabvány szerint adott a biztonságos érték, azonban azok védelmében, akik rendszeresen használják a készüléket, egy becsült érték figyelembe vétele szükséges, mely számításba veszi a kitettség időintervallumát, a munkaterület karakterisztikáját, a készülék használati módját, beleértve részegységek működési ciklusát, mint pl. a készülék be- és kikapcsolása a kapcsolóra gyakorolt hatása.

### Figyelmeztető szimbólumok a készüléken

A következő piktogram látható a készüléken:



**Figyelem!** Sérülésveszély csökkentéséhez, figyelmesen olvassa el a kezelési útmutatót a készülék üzembe helyezése előtt.

### Elektromos biztonság



Ez a készülék kettősszigetelésű, ezért a földelés nem szükséges. Mindig ellenőrizze, hogy a hálózati feszültség megfelel-e a gép adattábláján feltüntetettnek!

- Ha a hálózati kábel sérült, azonnal cseréltesse le egy Black & Decker szakszervizben.

### Leírás

A készülék a következő jellemzőkkel rendelkezhet:

1. Fordulatszám-szabályozós üzemi kapcsoló
2. Tartósüzem rögzítő gomb
3. Forgásirányváltó kapcsoló
4. Üzem mód választó
5. Pótfogantyú
6. Kulcsos tokmány (CD60RE)
6. Kulcs nélküli tokmány (CD60CRE/CD70CRE/CD70CKA/AST2XC)

### Összeszerelés

**Figyelem!** Mielőtt elkezd a gép összeszerelését, győződjön meg arról, hogy a hálózati csatlakozó le van választva az áramforrásról, és a készülék ki van kapcsolva.

### A pótfogantyú felszerelése (A ábra)

- Forgassa a markolatot (7) az óramutató járásával ellentétes irányba, amíg rá tudja csúsztatni a pótfogantyút (5) a készülék elejére, az ábra szerint.

- Fordítsa a fogantyút a kívánt pozícióba.
- A markolat óramutató járásával egyező irányba való forgatásával szorítsa rá a fogantyút a gépre.

### Fúrószerű vagy csavarozó hegy befogása (B ábra)

- Forgassa az egyik kezével a tokmány elülső részét (8), és közben a másik kezével tartsa a hátsó felét (9), amíg a tokmányfóák megfelelően kinyílnak.
- Helyezze be a fúrószerűt (10) a tokmányba és gondosan szorítsa meg a tokmányt.

### A fúrótokmány leszerelése és felszerelése (C ábra)

- Teljesen nyissa ki a tokmányfóákat.
- Távolítsa el a tokmányrögítőt csavart (11), mely a tokmány elülső részében helyezkedik el. Egy csavarhúzó segítségével forgassa a csavart az óramutató járásával megegyező irányba.
- Szorítson a tokmányba egy imbuszkulcsot (12) és kalapáccsal mérjen gyenge ütésekkel rá, az ábra szerint.
- Távolítsa el az imbuszkulcsot a tokmányból.
- Csavarja le a tokmányt a tengelyről az óramutató járásával ellentétes irányba.
- A tokmány felszereléséhez, csavarja a tokmányt a tengelyre és biztosítsa a tokmányrögítőt csavar segítségével.

### A készülék használata

**Figyelem!** Hagyja a készüléket a saját tempójában dolgozni. Ne terhelje túl!



**Figyelem!** Mielőtt fúrási munkálatba kezdene, mindig győződjön meg a falban futó vezetékek és csövek elhelyezkedéséről.

### Forgásirány kiválasztása (D ábra)

- Fúráshoz és csavarok behajtásához állítsa a forgásirányváltó kapcsolót (3) középső pozícióba.
- Csavarok kihajtásához, vagy megszorult fúrószerűk kilazításához, fordítsa a forgásirányváltó kapcsolót (3) balra.

**Figyelem!** Soha ne váltson forgásirányt járó motorú készüléken.

### Üzem mód kiválasztása

- Közvetlen fúrásához állítsa az üzemmód választót (4) az útvefúrás  pozícióba.
- Más anyagokban történő fúráshoz és csavarozáshoz állítsa az üzemmód választót (4) a fúrás  pozícióba.

### A készülék be- és kikapcsolása (E ábra)

- A gép beindításához nyomja meg a fordulatszám-szabályozós üzemi kapcsolót (1). A kapcsoló behúzásának mértékével arányosan nő a fordulatszám. Általánosan elmondható, hogy nagy átmérőjű furatok készítéséhez alacsonyabb, kisebb átmérőjű furatok készítéséhez pedig magasabb fordulatszám szükséges.
- A folyamatos működéshez nyomja be a tartósüzem rögzítő gombot (2) és engedje el az üzemi kapcsolót. Ez az opció csak teljes sebességnél működik.
- A készülék kikapcsolásához engedje el a fordulatszám-szabályozós üzemi kapcsolót. Ha tartósüzem használat közben kívánja a készüléket kikapcsolni, nyomja meg még egyszer a fordulatszám-szabályozós kapcsolót, majd engedje el.

### Tartozékok

A készülék teljesítménye nagymértékben függ a felhasznált tartozékoktól. A Black & Decker és Piranha tartozékok magas minőség standardnak megfelelően vannak konstruálva, tervezésükkor a készülék teljesítményének optimalizálása volt a fő cél. A legjobb teljesítményt a fenti tartozékok felhasználásával érheti el.

### Karbantartás

Az Ön készüléke minimális karbantartás mellett hosszú távú felhasználásra lett tervezve.

A készülék folyamatos megfelelő működése nagymértékben függ az alapos ápolástól és a rendszeres tisztítástól.

**Figyelem!** Mielőtt bármilyen karbantartási munkához lát, győződjön meg arról, hogy a készülék ki van kapcsolva, és áramtalanítva van.

- Rendszeresen tisztítsa meg a készülék levegőréseit egy puha, száraz ecsettel vagy ronggyal.
- Rendszeresen tisztítsa meg a motorházat egy enyhén nedves kendővel. Ne használjon karcot hagyó tisztítószerrel vagy oldószer bázisú anyagot.

### Környezetvédelem



Elkülönített begyűjtés. Ezt a készüléket el kell különíteni a normál háztartási hulladéktól.

Egy napon, mikor készüléke eléri technikai élettartamának végét, vagy nincs további szüksége rá, gondoljon a környezetvédelemre. A terméket a normál háztartási hulladéktól elkülönítve kell megsemmisíteni.



Az elhasználandó termékek és csomagolások elkülönített begyűjtése lehetővé teszi, ezek újrahasznosítását. Újrahasznosított vagy újra feldolgozott anyagok segítségével a környezetszennyezés, illetve a nyersanyagok iránti igény nagymértékben csökkenthető.

A helyi előírások rendelkezhetnek az elektromos készülékek háztartási hulladéktól elkülönített begyűjtéséről, helyhatósági hulladéklerakó helyeken vagy a kereskedők által új termék megvásárlásakor.

Black & Decker termékeire az élettartamuk lejártával visszavételi lehetőséget kínál. Ez a szolgáltatás ingyenes. Ha igénybe veszi ezt a szolgáltatást, kérjük, juttassa el készülékét a legközelebbi Black & Decker szervizbe, melyekről a Magyarországi Képviselőnél érdeklődhet.

A szervizzel kapcsolatosan a következő Internet oldalon is felvilágosítást kaphat:  
[www.2helpU.com](http://www.2helpU.com).

### Műszaki adatok

		CD60CRE	CD60RE	CD70CRE
Feszültség	$V_{AC}$	230	230	230
Felvett teljesítmény	$W$	600	600	710
Üresjárat				
fordulatszám	$min^{-1}$	0-2 800	0-2 800	0-2 800
Maximális fúráskapacitás				
Fém/Kőzet	mm	13	13	13
Fa	mm	25	25	25
Súly	kg	1,84	1,84	1,84

		CD70CKA	AST2XC
Feszültség	$V_{AC}$	230	230
Felvett teljesítmény	$W$	710	710
Üresjárat			
fordulatszám	$min^{-1}$	0-2 800	0-2 800
Maximális fúráskapacitás			
Fém/Kőzet	mm	13	13
Fa	mm	25	25
Súly	kg	1,84	1,84

## EU-TANÚSÍTÁS



CD60CRE TYPE1/CD60RE TYPE1/CD70CRE TYPE1/CD70CKA TYPE1/AST2XC

Black & Decker tanúsítja, hogy ezek az elektromos szerszámok megfelelnek a következő irányelveknek és szabványoknak: 98/37/EC, EN60745

Hangnyomásszint EN 60745 szerint:  
Hangnyomásszint  $L_{pA}$ : 106 dB(A), Toleranciafaktor (K): 3 dB(A), Hangteljesítmény szint  $L_{WA}$ : 117 dB(A), Toleranciafaktor (K): 3 dB(A)

Súlyozott effektív rezgésgyorsulás EN 60745 szerint mérve:

Ütvefűrés betonba ( $a_{h,ID}$ ) 16,3 m/s<sup>2</sup>, toleranciafaktor (K) 2,2 m/s<sup>2</sup>, Fűrés fémbe ( $a_{h,D}$ ) 8,2 m/s<sup>2</sup>, toleranciafaktor (K) 1,5 m/s<sup>2</sup>

Alulírott felelős a technikai adatállomány összeállításáért és a Black & Decker nevében elkészített nyilatkozatért.

Kevin Hewitt  
Director of Consumer  
Engineering

Spennymoor, County Durham  
DL16 6JG, United Kingdom  
1-10-2008

### Garancia határozat

A Black & Decker elhivatott a termékei minősége iránt, és kiterjesztett garanciát kínál. Ez a garanciahatározat csak kiegészíti és semmi esetre sem befolyásolja hátrányosan az Ön törvényes jogait. A garancia az Európai Unió tagállamai területén, valamint az Európai Szabadkereskedelmi Társulás (EFTA) területén érvényes.

Ha egy Black & Decker termék anyaghiba, a kivitelezés módja vagy a megfelelés hiánya miatt meghibásodik, az eladás dátumától számított 24 hónapig a Black & Decker garanciát vállal a hibás alkatrészek cseréjére, a normál kopásnak kitett termékek javítására, illetve az ilyen termékek kicserélésére, hogy ügyfeleinek a lehető legkisebb kellemetlenséget okozza az alábbi feltételekkel:

- A terméket nem használták kereskedelmi, ipari alkalmazásokhoz, és nem adták bérbé;
- A terméket rendeltetésszerűen és körültekintően használták;

- A termék nem idegen tárgytól, szennyeződéstől vagy külső behatástól sérült meg;
- A termék javítására nem tett kísérletet olyan személy, aki nem tartozik a hivatalos szerviz vagy a Black & Decker szervizszemélyzet tagjai közé.

A garancia érvényesítéséhez az eladónak vagy a hivatalos szerviznek be kell nyújtani a vásárláskor kapott számlát.

Ha igénybe veszi ezt a szolgáltatást, kérjük, juttassa el készülékét a legközelebbi Black & Decker szervizbe, melyekről a magyarországi képviseletnél érdeklődhet.

A szervizzel kapcsolatosan a következő Internet oldalon is felvilágosítást kaphat:

**[www.2helpU.com](http://www.2helpU.com)**.

A következő meghibásodások esetén a garancia kizárt:

- Elhasználódott, illetve károsodott kések, és a hálózati kábel. Azok az alkatrészek, amelyek a normál használat során elkopnak.
- Azok a meghibásodások, amelyek a szakszerűtlen kezelésből eredtek.
- Azok a hibák, amelyek a kezelési útmutató be nem tartásából eredtek.

**Kizárólag csak eredeti Black & Decker tartozékok és alkatrészek alkalmazhatók. Ellenkező esetben teljesítménycsökkenés léphet fel, és a gép elveszti a garanciát. Ha garanciális igénye van, feltétlen mellékelje a jótállási jegyet és a vásárlási okmányokat (számlát).**

## BLACK & DECKER

### GARANCIÁLIS FELTÉTELEK

Gratulálunk Önnek ennek az értékes Black & Decker készülék megvásárlásához.

Azon termékeinkre, amelyet fogyasztói használat keretében háztartási, hobby célra vásárolnak **24 hónap jótállást biztosítunk.**

#### A termék iparszerű használatra nem alkalmas!

A jótállás a fogyasztó törvényből eredő jogait nem érinti.

1) **Black & Decker** kötelezettséget vállal arra, hogy a garanciális javításokat a **49/2003. (VII. 30.) GKM** és a **151/2003 (IX.22.) sz. Korm. rend.** szerint végzi.

- A fogyasztó jótállási igényét a jótállási jeggyel érvényesítheti, ezért azt őrizze meg.
- Vásárláskor az eladónak a garanciaakártyán fel kell tüntetnie a vásárlás időpontját, a termék típusát vagy termékkódját, a kereskedés nevét, címét pedig a jótállási jegyre rá kell bélyegezni. Ennek alapján szerez jogosultságot a vevő a garancia időn belüli ingyenes garanciális javításra.
- Jótállási javítást csak érvényes jótállási jegy alapján végezhetnek a kijelölt szervizek.
- A jótállási jegyen történt bármilyen javítás, törlés vagy átírás, valótlán adatok bejegyzése, a jótállási jegy érvénytelenségét vonja maga után.
- Elvesztett jótállási jegyet csak a vásárlási számla felmutatásával, térítés ellenében tudunk pótolni!
- A jótállási jegy szabálytalan kiállítása vagy a fogyasztó részére történő átadásának elmaradása nem érinti a jótállási kötelezettségvállalás érvényességét.

2) **Nem terjed ki a garancia:**

- Ha a hiba rendeltetésellenes használat, átalakítás, szakszerűtlen kezelés, helytelen tárolás, elemi kár vagy egyéb, vásárlás után keletkezett okból következett be. *(A rendeltetéssel ellentétes használat elkerülése céljából a termékhez magyar nyelvű vásárlói tájékoztatót mellékelünk és kérjük, hogy az abban foglaltakat saját érdekében tartsa be!)*
- Az olyan károsodásokra, amelyek a szerszámok iparszerű (professzionális), közületi, valamint kölcsönzési felhasználása miatt keletkeztek.
- Azon alkatrészekre, amelyeknél a meghibásodás garanciaidőn belül a helyes kezelés, karbantartás szerinti rendeltetészerű üzemeltetés mellett az alkatrészek természetes elhasználódása, kopása következtében állt elő. *(ezek a következők: megmunkáló szerszámok pl. vágószerszám, fűrészlánc, fűrészlap, gyalukés stb. továbbá: meghajtósíj, csapágy, szénkefe, csillagkerék kpl.)*
- A készülék túlterhelése miatt jelentkező hibákra, amelyek a hajtómű meghibásodásához, vagy egyéb ebből adódó károkhoz vezetnek.
- A termék nem hivatalos szervizben történt javításából eredő hibákra.
- Az olyan károsodásokra, amelyek nem eredeti Black & Decker kiegészítő készülékek és tartozékok használatából adódnak.

3) **A fogyasztó** a kijavítás iránti igényét a forgalmazónál, illetve a jótállási jegyen feltüntetett javítószolgálatnál érvényesítheti.

- Meghosszabbodik a jótállási idő a kijavítási idő azon részével, amely alatt a fogyasztó a terméket nem tudta rendeltetészerűen használni.
- A jótállási és szavatossági jogok érvényesíthetőségének határidején belül a terméknek vagy jelentősebb részének kicserélése (kijavítása) esetén a kicserélt (kijavított) termékre (termékrészre) 12 hónap jótállást biztosítunk. **Ezek a következők:** motor illetve állórész, forgórész, elektronika.
- Ha a fogyasztási cikk a vásárlástól (üzembe helyezéstől) számított három munkanapon belül meghibásodik, a fogyasztó kérheti annak kicserélését feltéve, hogy a meghibásodás a rendeltetészerű használatot akadályozza.  
Ha a csere nem lenne lehetséges, műszakilag hasonló készülék kerül felajánlásra, vagy visszafizethető a vételár.

Amennyiben a hiba keletkezése, ténye, jellege, (pl. rendeltetésellenes használat, stb.) miatt vita merül fel, a Fogyasztó szakvéleményt kérhet a Fogyasztóvédelmi Főfelügyelőségtől. A szakvélemény térítésköteles és nem kötelező érvényű a Forgalmazó számára.

4) **Garanciális javítás esetén** a szerviznek a garanciaakártyán az alábbi adatokat kell feltüntetnie:

- a garanciális igény bejelentésének dátumát,
  - a hiba rövid leírását,
  - a javítás módját és időtartamát,
  - a készülék visszaadásának időpontját,
  - javítás időtartamával meg-hosszabbított új garanciaidőt.
- 5) **Arra törekszünk, hogy szervizhálózatunkon** keresztül kiváló javítószolgáltatást, zökkenőmentes alkatrészellátást, és széles tartozékpalaletát biztosítsunk.
- 6) **A fogyasztót a Polgári Törvénykönyvről szóló 1959. évi IV. törvény 306-310. §-ában, valamint a 49/2003. (VII. 30.) GKM** rendeletben meghatározott jogok illetik meg.

#### Gyártó:

Black & Decker GmbH  
D – 65510 Idstein/Ts

#### Importőr/ Forgalmazó:

Erfaker Kft.  
1158. Budapest,  
Black & Decker str. 40. Késmárk u. 9.

## Przeznaczenie

Opisywana wiertarka udarowa Black & Decker przeznaczona jest do wiercenia w drewnie, metalach, tworzywach sztucznych i murach oraz do wkręcania wkrętów. Narzędzie przeznaczone jest wyłącznie do użytku amatorskiego.

## Zasady bezpiecznej pracy

### Bezpieczne użytkowanie elektronarzędzi



**Uwaga! Należy zapoznać się ze wszystkimi ostrzeżeniami dotyczącymi bezpiecznej pracy oraz z instrukcją obsługi.** Nie stosowanie się do poniższych ostrzeżeń i instrukcji może być przyczyną porażenia prądem elektrycznym, pożaru i/lub uszkodzenia ciała.

**Zachowaj wszystkie instrukcje i informacje dotyczące bezpiecznej pracy, aby móc korzystać z nich w przyszłości.** Określenie „elektonarzędzie” występujące we wszystkich poniższych ostrzeżeniach, dotyczy narzędzi zasilanych z sieci (przewodem zasilającym) oraz zasilanych akumulatorowo (bezp przewodowych).

#### 1. Bezpieczeństwo w miejscu pracy

- a. **Utrzymuj miejsce pracy w czystości i dbaj o dobre oświetlenie.** Nieporządek i niedostateczne oświetlenie sprzyjają wypadkom.
- b. **Nie wolno używać elektronarzędzi w strefach zagrożenia wybuchem, w obecności palnych cieczy, gazów i pyłów.** W czasie pracy elektronarzędzi powstają iskry, które mogą spowodować zapłon pyłów i oparów.
- c. **W czasie pracy elektronarzędziami nie pozwalaj na przebywanie w pobliżu dzieci i innych osób postronnych.** Brak skupienia może spowodować utratę kontroli nad narzędziem.

#### 2. Ochrona przed porażeniem prądem elektrycznym

- a. **Gniazdo musi być dostosowane do wtyczki elektronarzędzia. Nie wolno dokonywać przeróbek wtyczki. Do zasilania uziemionych (zerowanych) elektronarzędzi nie należy używać przejściówek.** Stosowanie nieprzerobionych wtyczek i pasujących gniazd zasilania, zmniejsza ryzyko porażenia prądem elektrycznym.

- b. **Unikaj dotykania uziemionych lub zerowanych powierzchni, takich jak rury, kuchenki i lodówki.** Ryzyko porażenia prądem elektrycznym wzrasta, jeśli twoje ciało jest zerowane lub uziemione.
  - c. **Nie narażaj elektronarzędzi na działanie deszczu lub zwiększonej wilgotności.** Dostanie się wody do wnętrza elektronarzędzia zwiększa ryzyko porażenia prądem elektrycznym.
  - d. **Nie wolno ciągnąć za przewód zasilający. Nie wolno przenosić i przeciągać elektronarzędzia, ani wyciągać wtyczki z gniazda, ciągnąc za przewód zasilający. Chroń przewód zasilający przed kontaktem z gorącymi elementami, olejami, ostrymi krawędziami i ruchomymi częściami.** Uszkodzenie lub zaplątanie przewodu zasilającego zwiększa ryzyko porażenia prądem elektrycznym.
  - e. **Do pracy poza pomieszczeniami zamkniętymi, należy używać przedłużacza przystosowanego do użycia na dworze.** Użycie przewodu zasilającego przeznaczonego do stosowania poza pomieszczeniami zamkniętymi zmniejsza ryzyko porażenia prądem elektrycznym.
  - f. **W razie konieczności pracy w wilgotnym otoczeniu, należy korzystać ze źródła zasilania zabezpieczonego wyłącznikiem różnicowoprądowym.** Użycie wyłącznika różnicowoprądowego zmniejsza ryzyko porażenia prądem elektrycznym.
- #### 3. Środki ochrony osobistej
- a. **W czasie pracy elektronarzędziem zachowaj czujność, patrz uważnie i kieruj się zdrowym rozsądkiem. Nie używaj elektronarzędzi, jeżeli jesteś zmęczony lub pod wpływem narkotyków, alkoholu czy leków.** Nawet chwila nieuwagi, w czasie pracy elektronarzędziem, może doprowadzić do poważnego uszkodzenia ciała.
  - b. **Używaj środków ochrony osobistej. Zawsze zakładaj okulary ochronne.** Używanie odpowiedniego od warunków wyposażenia ochronnego, takiego jak maska przeciwpyłowa, anty poślizgowe obuwie ochronne, hełm ochronny czy ochrona słuchu, pozwala zmniejszyć ryzyko uszkodzenia ciała.
  - c. **Zapobiegaj przypadkowemu włączeniu. Przed podłączeniem do zasilania lub**



włożeniem akumulatorów oraz przed przeniesieniem urządzenia, upewnij się, czy wyłącznik znajduje się w pozycji "wyłączone". Trzymanie palca na wyłączniku w czasie przenoszenia lub podłączania do zasilania jest bardzo niebezpieczne.

- d. **Przed uruchomieniem usuń wszystkie klucze i narzędzia do regulacji.** Elementy pozostawione na częściach wirujących są bardzo niebezpieczne.
  - e. **Nie wychylaj się. Nie wychylaj się i przyjmij stabilną pozycję, aby zawsze zachowywać równowagę.** Pozwala to na lepszą kontrolę nad urządzeniem w nieprzewidzianych okolicznościach.
  - f. **Założ odpowiedni strój. Nie zakładaj luźnych ubrań i biżuterii. Nie dopuszczaj do zetknięcia włosów, ubrania ani rękawic z ruchomymi częściami.** Luźne ubranie, biżuteria lub długie włosy mogą zostać pochwycone przez ruchome części.
  - g. **Jeśli sprzęt jest przystosowany do przyłączenia urządzeń odprowadzających i zbierających pył, upewnij się, czy są one przyłączone i właściwie użytkowane.** Użycie urządzeń odprowadzających pył zmniejsza niebezpieczeństwa związane z obecnością pyłów.
4. **Obsługa i konserwacja elektronarzędzi**
    - a. **Nie wolno przeciążać elektronarzędzi. Używaj elektronarzędzi odpowiednich do wykonywanej pracy.** Dzięki odpowiednim elektronarzędziom wykonasz pracę lepiej i w sposób bezpieczny, w tempie, do jakiego narzędzie zostało zaprojektowane.
    - b. **Nie wolno używać elektronarzędzia z zepsutym wyłącznikiem, który nie pozwala na sprawne włączanie i wyłączanie.** Elektronarzędzie, którego pracy nie można kontrolować wyłącznikiem jest niebezpieczne i musi zostać naprawione.
    - c. **Przed przystąpieniem do regulacji, wymiany akcesoriów oraz przed schowaniem elektronarzędzia, należy odłączyć wtyczkę od źródła zasilania i/lub odłączyć akumulator od urządzenia.** Stosowanie takich środków zapobiegawczych zwiększa bezpieczeństwo i zmniejsza ryzyko przypadkowego uruchomienia elektronarzędzia.
    - d. **Nie używane elektronarzędzie przechowuj poza zasięgiem dzieci i nie dopuszczaj**

osób nie znających elektronarzędzia lub tej instrukcji do posługiwania się elektronarzędziem. Elektronarzędzia obsługiwane przez osoby nieprzygotowane stanowią zagrożenie.

- e. **Regularnie dokonuj konserwacji elektronarzędzi. Sprawdź, czy ruchome części są właściwie połączone i zamocowane, czy części nie są uszkodzone oraz skontroluj wszelkie inne elementy mogące mieć wpływ na pracę elektronarzędzia. Jeśli występują uszkodzenia, należy naprawić urządzenie przed rozpoczęciem pracy.** Wiele wypadków spowodowanych jest przez niedostateczną konserwację elektronarzędzi.
  - f. **Dbaj o czystość narzędzi i ostrość elementów tnących.** Zadbane narzędzia tnące, z ostrymi krawędziami tnącymi, rzadziej się zacinają i są łatwiejsze w prowadzeniu.
  - g. **Elektronarzędzi, akcesoriów, końcówek itp. należy używać zgodnie z niniejszą instrukcją, uwzględniając warunki i rodzaj wykonywanej pracy.** Użycie niezgodnie z przeznaczeniem jest ryzykowne.
5. **Naprawy**
    - a. **Powierzaj naprawy elektronarzędzi wyłącznie osobom wykwalifikowanym, używającym identycznych części zamiennych.** Zapewni to bezpieczeństwo użytkowania naprawionego urządzenia.

#### **Bezpieczne użytkowanie elektronarzędzi - wskazówki dodatkowe**



**Uwaga!** Dodatkowe wskazówki dotyczące bezpiecznej pracy wiertarkami i wiertarkami udarowymi.

- **W czasie pracy wiertarką udarową należy nosić okulary ochronne.** Ekspozycja na hałas może powodować utratę słuchu.
- **Używaj, dostarczonych razem z narzędziem, dodatkowych uchwytów.** Utrata kontroli nad narzędziem może spowodować uszkodzenie ciała.
- **W czasie wiercenia w miejscach, gdzie możliwe jest natrafienie na ukryte przewody lub kontakt z własnym przewodem zasilającym, należy trzymać elektronarzędzie wyłącznie za izolowane uchwyty.** Natrafienie na przewód z prądem może spowodować pojawienie się napięcia

na metalowych elementach obudowy elektronarzędzia i porażenie prądem użytkownika narzędzia.

- **Używaj zacisków lub innego wygodnego sposobu unieruchomienia i podparcia obrabianego elementu.** Trzymanie rękami obrabianego elementu lub oparcie o własne ciało nie daje dostatecznej stabilizacji i może spowodować utratę kontroli nad narzędziem.
- Przed rozpoczęciem wiercenia w ścianach, podłodze czy suficie, ustal położenie przewodów i rur.
- Nie dotykaj wiertła bezpośrednio po skończeniu wiercenia, ponieważ może być bardzo rozgrzane.
- Opisywane narzędzie nie może być używane przez osoby (dot. także dzieci), które mają ograniczone możliwości ruchowe, percepcji lub pojmowania lub brakuje im doświadczenia i wiedzy, z wyjątkiem przypadku, gdy pozostają one pod nadzorem osoby odpowiedzialnej za ich bezpieczeństwo lub zostały przez nią przeszkolone w zakresie obsługi urządzenia. Należy pilnować dzieci, aby nie bawiły się urządzeniem.
- Przeznaczenie urządzenia opisane jest w niniejszej instrukcji obsługi. Używanie jakichkolwiek akcesoriów lub wykonywanie prac sprzecznych z przeznaczeniem opisywanym w instrukcji obsługi, może powodować niebezpieczeństwo uszkodzenia ciała i/lub uszkodzenia mienia.

### Drgania

Podawana w tabeli danych technicznych oraz w deklaracji zgodności z normami wartość drgań (wibracji), została zmierzona zgodnie ze standardową procedurą zawartą w normie EN 60745. Informacja ta może służyć do porównywania tego narzędzia z innymi. Deklarowana wartość emitowanych drgań może również służyć do przewidywania stopnia narażenia użytkownika na wibracje.

**Uwaga!** Chwilowa siła drgań, występująca w czasie pracy elektronarzędziem, może odbiegać od podawanych wartości, w zależności od sposobu użytkowania urządzenia. Poziom wibracji może przekroczyć podawaną wartość.

Przy określaniu ekspozycji na wibracje, w celu podjęcia środków ochrony osób zawodowo użytkujących elektronarzędzia, zgodnie z normą 2002/44/EC, należy uwzględnić rzeczywiste

warunki i rodzaj wykonywanej pracy. Także okresy przestoju i pracy bez obciążenia.

### Symbole na urządzeniu

Na obudowie narzędzia umieszczono następujące piktogramy:



**Uwaga!** Aby zminimalizować ryzyko zranienia, użytkownik musi zapoznać się z instrukcją obsługi.

### Ochrona przed porażeniem prądem elektrycznym



Opisywane elektronarzędzie jest podwójnie izolowane; dlatego nie ma konieczności stosowania dodatkowego uziemienia. Należy zawsze upewnić się, czy napięcie zasilania jest zgodne z wartością podaną na tabliczce znamionowej.

- Ze względów bezpieczeństwa, wymiany uszkodzonego przewodu zasilającego powinien dokonywać producent lub Autoryzowany Serwis Black & Decker.

### Wyposażenie

Opisywane narzędzie wyposażone jest w kilka lub wszystkie z poniższych elementów.

1. Wylłącznik z regulacją prędkości obrotowej
2. Przycisk blokady wylłącznika
3. Przelącznik obrotów lewych/prawych
4. Przelącznik trybu pracy
5. Dodatkowa rękojeść
6. Uchwyt z kluczykiem (CD60RE)
6. Uchwyt bezkluczykowy (CD60CRE/CD70CRE/CD70CKA/AST2XC)

### Montaż

**Uwaga!** Przed rozpoczęciem montażu upewnij się, czy narzędzie jest wylłączone i wtyczka zasilająca jest odłączona.

#### Montaż dodatkowej rękojeści (Rys. A)

- Obracać uchwyt (7) przeciwnie do ruchu wskazówek zegara aż do momentu, gdy możliwe jest nasunięcie rękojeści (5) na przednią część narzędzia, jak na rysunku.
- Ustawić rękojeść w żądanej pozycji.
- Zamocować dodatkową rękojeść obracając uchwyt zgodnie z ruchem wskazówek zegara.

#### Montaż wiertła lub końcówki wkrętarki (Rys. B)

- Otworzyć uchwyt odkręcając przednią część (8) i jednocześnie trzymając drugą ręką część tylną (9).
- Wsunąć trzonek wiertła (10) w uchwyt i mocno zacisnąć uchwyt.

### Demontaż i wymiana uchwytu (Rys. C)

- Maksymalnie otworzyć uchwyt.
- Odkręcić zgodnie ze wskazówkami zegara, za pomocą śrubokręta, śrubą mocującą (11) umieszczoną w przedniej części uchwytu.
- Zamocować klucz sześciokątny (12) w uchwycie i uderzyć go młotkiem, jak pokazano na rysunku.
- Wyjąć klucz sześciokątny.
- Zdjąć uchwyt odkręcając go przeciwnie do ruchu wskazówek zegara.
- Aby zamontować uchwyt, należy nakręcić go na wrzeciono i zabezpieczyć śrubą mocującą.

### Eksploatacja

**Uwaga!** W czasie pracy uwzględnij wydajność elektronarzędzia. Nie przeciążaj narzędzia.

**Uwaga!** Przed rozpoczęciem wiercenia w ścianach, podłodze czy suficie, ustal położenie przewodów i rur.

### Wybór kierunku obrotów (Rys. D)

- Do wiercenia i wkręcania wkrętów, należy ustawić przełącznik kierunku obrotów (3) w pozycji neutralnej.
- Do odkręcania wkrętów i wyjmowania zaklinowanych wiertel, należy obrócić przełącznik kierunku obrotów (3) w lewo.

**Uwaga!** Nie wolno przełączać kierunku obrotów w czasie pracy silnika.

### Włączanie udaru

- Do wiercenia w murach, należy ustawić przełącznik trybu pracy (4) w pozycji **T**.
- Do wiercenia w innych materiałach, należy ustawić przełącznik trybu pracy (4) w pozycji **2**.

### Włączanie i wyłączenie (Rys. E)

- Aby włączyć narzędzie, należy nacisnąć wyłącznik z regulacją obrotów (1). Prędkość obrotowa zależy od głębokości wciśnięcia przycisku. Ogólna zasada mówi, że przy wiertłach o dużej średnicy stosuje się niskie prędkości obrotowe, a dla mniejszych średnic wyższe prędkości obrotowe.
- Praca ciągła możliwa jest po wciśnięciu przycisku blokady wyłącznika (2) i zwolnieniu wyłącznika z regulacją obrotów. Jest to możliwe tylko przy pełnej prędkości obrotowej.
- Aby wyłączyć narzędzie, należy zwolnić wyłącznik z regulacją obrotów. Aby wyłączyć narzędzie pracujące w trybie ciągłym, powtórnie naciśnij i zwolnij wyłącznik z regulacją obrotów.

### Akcesoria

Wydajność narzędzia zależy od użytego osprzętu. Osprzęt Black & Decker i Piranha został wykonany z zachowaniem wysokich standardów jakości i zaprojektowany tak, aby podnieść wydajność narzędzia. Używając tych akcesoriów maksymalnie wykorzystasz możliwości swojego narzędzia.

### Konserwacja

Elektronarzędzia Black & Decker zostały zaprojektowane tak, aby zapewnić długoletnią, prawie bezobsługową pracę urządzenia. Aby długo cieszyć się właściwą pracą urządzenia, należy odpowiednio z nim postępować i regularnie je czyścić.

**Uwaga!** Przed wykonywaniem jakichkolwiek czynności konserwacyjnych wyłączyć narzędzie i wyjąć wtyczkę z gniazda.

- Regularnie czyścić otwory wentylacyjne przy użyciu miękkiej szczotki albo suchej ściereczki.
- Okresowo czyścić obudowę wilgotną ściereczką. Nie wolno używać preparatów do szorowania ani na bazie rozpuszczalników.

### Ochrona środowiska



Selektywna zbiórka odpadów. Opisywanego produktu nie wolno utylizować razem ze zwykłymi śmieciami z gospodarstw domowych.

Gdy okaże się, że konieczna jest wymiana posiadanego narzędzia Black & Decker lub nie będzie się go więcej używać, nie należy wyrzucać go razem ze śmieciami z gospodarstwa domowego. Należy przekazać produkt do punktu selektywnej zbiórki odpadów.



Selektywna zbiórka zużytych produktów i opakowań pozwala na powtórne wykorzystanie użytych materiałów. Powtórne użycie materiałów pomaga chronić środowisko naturalne przed zanieczyszczeniem i zmniejsza zapotrzebowanie na surowce.

Lokalne prawodawstwo może zapewniać możliwość osobnej utylizacji zużytych sprzętów elektrycznych pochodzących z gospodarstw domowych na miejskich wysypiskach śmieci lub poprzez pozostawienie starego urządzenia u sprzedawcy, gdy kupuje się nowy sprzęt.

Black & Decker zapewnia możliwość zbiórki i recyklingu swoich produktów po zakończeniu okresu eksploatacji.

Lista autoryzowanych serwisów Black & Decker oraz szczegółowe informacje dotyczące naszego serwisu posprzedażnego, dostępne są na stronie internetowej: [www.2helpU.com](http://www.2helpU.com)

#### Dane techniczne

	CD60CRE	CD60RE	CD70CRE
Napięcie zasilania $V_{AC}$	230	230	230
Pobór mocy $W$	600	600	710
Prędkość bez obciążenia $min^{-1}$	0-2 800	0-2 800	0-2 800
Maksymalna średnica wiercenia			
Stal / beton	mm 13	13	13
Drewno	mm 25	25	25
Waga $kg$	1,84	1,84	1,84

	CD70CKA	AST2XC
Napięcie zasilania $V_{AC}$	230	230
Pobór mocy $W$	710	710
Prędkość bez obciążenia $min^{-1}$	0-2 800	0-2 800
Maksymalna średnica wiercenia		
Stal / beton	mm 13	13
Drewno	mm 25	25
Waga $kg$	1,84	1,84

## Deklaracja zgodności UE



CD60CRE TYPE1/CD60RE TYPE1/CD70CRE TYPE1/CD70CKA TYPE1/AST2XC

Firma Black & Decker oświadcza, że wymienione powyżej modele wiertarek spełniają wymagania norm: 98/37/EC, EN 60745

Poziom ciśnienia akustycznego zgodnie z EN 60745:

Ciśnienie akustyczne ( $L_{pA}$ ) 106 dB(A), wahanie (K) 3 dB(A), moc akustyczna ( $L_{WA}$ ) 117 dB(A), wahanie (K) 3 dB(A)

Sumaryczna wielkość drgań (suma wektorów trzech osi) zgodnie z normą EN 60745:

Wiercenie z udarem w betonie ( $a_{h, ID}$ ) 16,3  $m/s^2$ , wahanie (K) 2,2  $m/s^2$ , Wiercenie w metalach ( $a_{h, D}$ ) 8,2  $m/s^2$ , wahanie (K) 1,5  $m/s^2$

Osoba niżej podpisana jest odpowiedzialna za zestawienie informacji technicznych i sporządza niniejszą deklarację zgodności w imieniu firmy Black & Decker.

Kevin Hewitt  
Dyrektor Techniczny  
Black & Decker  
Spennymoor, County Durham  
DL16 6JG, Wielka Brytania  
1-10-2008

## Black & Decker

### Warunki gwarancji:

Gwarantujemy sprawne działanie produktu, zgodnie z warunkami techniczno-eksploatacyjnymi opisanymi w instrukcji obsługi. Niniejszą gwarancją nie jest objęte wyposażenie takie, jak: szczotki, tarcze pilarskie, tarcze ścierne, wiertła i inne akcesoria, jeżeli nie została do nich dołączona oddzielna karta gwarancyjna oraz elementy podlegające naturalnemu zużyciu.

1. Niniejszą gwarancją objęte są usterki produktu spowodowane wadami produkcyjnymi i wadami materiałowymi.
2. Niniejsza gwarancja jest ważna po przedstawieniu przez Klienta w Centralnym Serwisie Gwarancyjnym reklamowanego produktu oraz łącznie:
  - a) poprawnie wypełnionej karty gwarancyjnej;
  - b) ważnego paragonu zakupu z datą sprzedaży taką, jak w karcie gwarancyjnej lub kopii faktury.
3. Gwarancja obejmuje bezpłatną naprawę urządzenia (wraz z bezpłatną wymianą uszkodzonych części) w okresie 24 miesięcy od daty zakupu.
4. Produkt reklamowany musi być:
  - a) dostarczony bezpośrednio do Centralnego Serwisu Gwarancyjnego wraz z poprawnie wypełnioną Kartą Gwarancyjną i ważnym paragonem zakupu (lub kopią faktury) oraz szczegółowym opisem uszkodzenia, lub
  - b) przesłany do Centralnego Serwisu Gwarancyjnego za pośrednictwem punktu sprzedaży wraz z dokumentami wymienionymi powyżej.
5. Koszty wysyłki do Centralnego Serwisu Gwarancyjnego ponosi Black & Decker. Wszelkie koszty związane z zapewnieniem bezpiecznego opakowania, ubezpieczeniem i innym ryzykiem ponosi Klient. W przypadku odrzucenia roszczenia gwarancyjnego, produkt jest odsyłany do miejsca nadania na koszt adresata.
6. Usterki ujawnione w okresie gwarancji będą usunięte przez Centralny Serwis Gwarancyjny w terminie:
  - a) 14 dni roboczych od daty przyjęcia produktu przez Centralny Serwis Gwarancyjny;
  - b) termin usunięcia wady (punkt 6 a) może być wydłużony o czas niezbędny do importu niezbędnych części zamiennych;
7. Klient otrzyma nowy sprzęt, jeżeli:
  - a) Centralny Serwis Gwarancyjny stwierdzi na piśmie, że usunięcie wady jest niemożliwe;
  - b) produkt nie podlega naprawie, tylko wymianie bez dokonywania naprawy.
8. O ile taki sam produkt jest nieosiągalny, może być wydany nowy produkt o niegorszych parametrach.
9. Decyzja Centralnego Serwisu Gwarancyjnego odnośnie zasadności zgłaszanych usterek jest decyzją ostateczną.
10. Gwarancją nie są objęte:
  - a) wadliwe działanie lub uszkodzenia spowodowane niewłaściwym użytkowaniem lub używaniem produktu niezgodnie z przeznaczeniem, instrukcją obsługi lub przepisami bezpieczeństwa. W szczególności profesjonalne użytkowanie amatorskich narzędzi Black & Decker powoduje utratę gwarancji;
  - b) wadliwe działanie lub uszkodzenia spowodowane przeciążaniem narzędzia, które prowadzi do uszkodzeń silnika, przekładni lub innych elementów a także stosowaniem osprzętu innego niż zalecany przez Black & Decker;
  - c) mechaniczne uszkodzenia produktu i wywołane nimi wady;
  - d) wadliwe działanie lub uszkodzenia na skutek działania pożaru, powodzi, czy też innych klęsk żywiołowych, nieprzewidzianych wypadków, korozji, normalnego zużycia w eksploatacji czy też innych czynników zewnętrznych;
  - e) produkty, w których naruszone zostały plombi gwarancyjne lub, które były naprawiane poza Centralnym Serwisem Gwarancyjnym lub były przerabiane w jakikolwiek sposób;
  - f) osprzęt eksploatacyjny dołączony do urządzenia, taki jak: wiertła, tarcze pilarskie, tarcze szlifierskie, końcówki wkręcające, noże strugarskie, brzeszczoły, papier ścierny, paski napędowe i inne elementy ulegające naturalnemu zużyciu.
11. Centralny Serwis Gwarancyjny, firmy handlowe, które sprzedały produkt, nie udzielają upoważnień ani gwarancji innych niż określone w karcie gwarancyjnej. W szczególności nie obejmują prawa klienta do domagania się zwrotu utraconych zysków w związku z uszkodzeniem produktu.
12. Gwarancja nie wyłącza, nie ogranicza ani nie zawiesza uprawnień kupującego wynikających z niezgodności towaru z umową.

**Centralny Serwis Gwarancyjny ERPATECH**  
**ul. Obozowa 61, 01-418 Warszawa**  
**tel.: (22) 862-08-08, fax: (22) 862-08-09**

## Použitie

Vaša príklepová vrtačka Black & Decker je určená na vrútenie do dreva, kovu, plastov a muriva a tiež na skrútkovanie. Toto náradie je určené len na použitie v domácnosti.

## Bezpečnostné pokyny

### Všeobecné bezpečnostné pokyny pre prácu s elektrickým náradím



**Varovanie! Pozorne si prečítajte všetky bezpečnostné varovania a pokyny.**

Nedodržanie nižšie uvedených pokynov môže mať za následok úraz elektrickým prúdom, vznik požiaru alebo vážne poranenie.

**Tieto pokyny uložte na bezpečnom mieste pre prípadné ďalšie použitie.** Označenie "elektrické náradie" vo všetkých nižšie uvedených upozorneniach odkazuje na Vaše náradie napájané zo siete (obsahuje napájací prívodný kábel) alebo náradie napájané batériami (bez kábla).

#### 1. Bezpečnosť pracovného prostredia

- a. **Pracovný priestor udrzte v čistote a dobre osvetlený.** Neporiadok na pracovnom stole a nedostatok svetla v jeho okolí môže viesť k spôsobeniu nehody.
- b. **S elektrickým náradím nepracujte vo výbušných prostrediach, ako sú napríklad priestory, v ktorých sa vyskytujú horľavé kvapaliny, plyny alebo prašné látky.** Elektrické náradie je zdrojom iskrenia, ktoré môže viesť k vznieteniu horľavín.
- c. **Pri práci s elektrickým náradím držte deti a okolité osoby z jeho dosahu.** Rozptyľovanie môže spôsobiť stratu kontroly nad náradím.

#### 2. Elektrická bezpečnosť

- a. **Zástrčka prívodného kábla náradia musí zodpovedať zásuvke. Nikdy akýmkoľvek spôsobom zástrčku neupravujte. S náradím chráneným uzemnením nepoužívajte akékoľvek redukcie zástrčiek.** Neupravené zástrčky a zodpovedajúce zásuvky znižujú riziko vzniku úrazu elektrickým prúdom.
- b. **Nedotýkajte sa uzemnených povrchov, ako sú napr. potrubia, radiátory, sporáky a chladničky.** Pri uzemnení Vášho tela vzrastá riziko úrazu elektrickým prúdom.
- c. **Nevystavujte elektrické náradie dažďu alebo vlhkému prostrediu.** Ak do náradia vnikne voda, zvýši sa riziko úrazu elektrickým prúdom.

- d. **S prívodným káblom zaobchádzajte opatrne. Nikdy nepoužívajte prívodný kábel na prenášanie náradia, na jeho posúvanie a pri odpájaní náradia od elektrickej siete za neho neťahajte.** Prívodný kábel držte mimo dosahu tepelných zdrojov, oleja, ostrých hrán alebo pohyblivých častí. Poškodený alebo zapletený prívodný kábel zvyšuje riziko vzniku úrazu elektrickým prúdom.
- e. **Pri práci s náradím vonku používajte predlžovacie káble určené na vonkajšie použitie.** Práca s predlžovacím káblom na vonkajšie použitie znižuje riziko vzniku úrazu elektrickým prúdom.
- f. **Pri práci s elektrickým náradím vo vlhkom prostredí je nevyhnutné používať prúdový chránič (RCD).** Použitie prúdového chrániča RCD znižuje riziko úrazu elektrickým prúdom.

#### 3. Osobná bezpečnosť

- a. **Zostaňte stále pozorní, sledujte, čo robíte a pri práci s elektrickým náradím premýšľajte. Nepoužívajte elektrické náradie, ak ste unavení alebo ak ste pod vplyvom drog, alkoholu alebo liekov.** Chvilka nepozornosti pri práci s náradím môže viesť k vážnemu úrazu.
- b. **Používajte prostriedky na ochranu osôb. Vždy používajte prostriedky na ochranu zraku.** Bezpečnostná výbava ako je respirátor, nekľzáva bezpečnostná obuv, pevná prilba alebo ochranné slúchadlá použitá v zodpovedajúcich podmienkach znižuje riziko úrazu.
- c. **Zabráňte náhodnému zapnutiu. Pred pripojením k zdroju napätia alebo pred vložením akumulátora, zdvíhaním alebo prenášaním náradia skontrolujte, či je hlavný vypínač vypnutý.** Prenášanie náradia s prstom na hlavnom vypínači alebo pripojenie prívodného kábla k elektrickému rozvodu, ak je hlavný vypínač náradia v polohe zapnuté, môže spôsobiť úraz.
- d. **Pred zapnutím náradia sa vždy uistite, či nie sú v jeho blízkosti kľúče alebo nastavovacie prípravky.** Kľúče alebo nastavovacie prípravky zabudnuté na pohyblivých častiach náradia môžu spôsobiť úraz.
- e. **Neprekážajte sami sebe. Pri práci vždy udrzte vhodný a pevný postoj.** To umožní lepšiu ovládateľnosť náradia v neočakávaných situáciách.

- f. **Vhodne sa obliekajte. Nenoste voľný odev alebo šperky. Dbajte na to, aby sa Vaše vlasy, odev alebo rukavice nedostali do nebezpečnej blízkosti pohyblivých častí.** Voľné šaty, šperky alebo dlhé vlasy môžu byť pohyblivými dielmi zachytené.
- g. **Pokiaľ je zariadenie vybavené adaptérom na pripojenie zariadení na zachytávanie prachu, zaistite jeho správne pripojenie a riadne fungovanie.** Použitie týchto zariadení môže znížiť nebezpečenstvo týkajúce sa prachu.
4. **Použitie elektrického náradia a jeho údržba**
- a. **Na náradie príliš netlačte. Používajte správny typ náradia pre Vašu prácu.** Pri použití správneho typu náradia bude práca vykonaná lepšie a bezpečnejšie.
- b. **Pokiaľ nejde hlavný vypínač náradia zapnúť a vypnúť, s náradím nepracujte.** Akékoľvek náradie s nefunkčným hlavným vypínačom je nebezpečné a musí byť opravené.
- c. **Pred výmenou akýchkoľvek častí, príslušenstva či iných pripojených súčastí, pred prevádzkaním servisu alebo pokiaľ náradie nepoužívate, odpojte ho od elektrickej siete a/alebo vyberte akumulátor.** Tieto preventívne bezpečnostné opatrenia znižujú riziko náhodného zapnutia náradia.
- d. **Pokiaľ náradie nepoužívate, uložte ho mimo dosahu detí a zabráňte osobám neoboznámeným s obsluhou náradia alebo s týmto návodom, aby s náradím pracovali.** Elektrické náradie je v rukách nekvalifikovanej obsluhy nebezpečné.
- e. **Údržba náradia. Skontrolujte vychýlenie či zaseknutie pohyblivých častí, poškodenie jednotlivých dielov a iné okolnosti, ktoré môžu mať vplyv na chod náradia. Pokiaľ je náradie poškodené, nechajte ho opraviť.** Veľa nehôd býva spôsobených nedostatočnou údržbou náradia.
- f. **Rezné nástroje udržiavajte ostré a čisté.** Riadne udržiavané rezné nástroje s ostrými reznými nožmi sú menej náchylné na zanášanie nečistotami a lepšie sa s nimi manipuluje.
- g. **Náradie, príslušenstvo a nástavce používajte podľa týchto pokynov a spôsobom, ktorý je určený pre daný typ náradia. Berte do úvahy aj prevádzkové podmienky a prácu, ktorú je nutné vykonať.** Použitie náradia na iné účely, než na aké je určené, môže byť nebezpečné.

## 5. Opravy

- a. **Opravy elektrického náradia zverte kvalifikovanému technikovi, ktorý používa vhodné náhradné diely.** Tým zaistíte bezpečnú prevádzku náradia.

### Doplnkové bezpečnostné pokyny pre prácu s elektrickým náradím



**Varovanie!** Doplnkové bezpečnostné pokyny pre vrtačky a vrtačky s príklepom

- **Pri vŕtaní s príklepom použite vhodnú ochranu sluchu.** Nadmerná hlučnosť môže spôsobiť stratu sluchu.
- **Používajte prídavné rukoväte dodávané s náradím.** Strata kontroly nad náradím môže viesť k úrazu.
- **Pri pracovných operáciách, pri ktorých by mohlo dôjsť ku kontaktu so skrytými vodičmi alebo s vlastným prívodným káblom, držte elektrické náradie vždy za izolované rukoväte.** Pri kontakte s vodičom pod prúdom sa nechránené kovové časti náradia stanú vodivé a obsluha tak utrpí zásah elektrickým prúdom.
- **Obrobok si k pevnej podložke upnite pomocou svoriek či iným vhodným spôsobom.** Držanie obrobku rukou alebo jeho pritisnutie k telu zapríčiní, že obrobok nebude stabilne uchytený a to môže viesť k strate kontroly.
- **Pred vŕtaním do muriva, podláh alebo stropov skontrolujte polohu skrytých elektrických vedení a potrubí.**
- **Vyvarujte sa dotyku s hrotom vrtačky ihneď po skončení vŕtania, môže byť horúci.**
- **Tento prístroj nie je určený na použitie osobami (vrátane detí) so zníženými fyzickými, zmyslovými alebo duševnými schopnosťami, alebo s nedostatkom skúsenosti a znalosti, pokiaľ tieto osoby nepracujú pod dohľadom, alebo pokiaľ im neboli poskytnuté inštrukcie týkajúce sa použitia prístroja osobou zodpovednou za ich bezpečnosť.** Deti by mali byť pod dozorom, aby sa s náradím nehrali.
- **Použitie tohto náradia je popísané v tomto návode. Použitie akéhokoľvek iného príslušenstva alebo prídavných zariadení, alebo akékoľvek iné využitie tohto náradia, než je popísané v tomto návode na použitie, môže mať za následok riziko poranenia osôb alebo škody na majetku.**

## Vibrácie

Deklarovaná úroveň vibrácií uvedená v technických údajoch a v prehlásení o zhode bola meraná v súlade so štandardnou skúšobnou metódou predpísanou normou EN 60745 a môže sa použiť na porovnávanie jednotlivých náradí medzi sebou. Deklarovaná úroveň vibrácií môže byť tiež použitá na predbežné stanovenie doby práce s týmto výrobkom.

**Varovanie!** Úroveň vibrácií pri aktuálnom použití elektrického náradia sa môže od deklarovanej úrovne vibrácií líšiť v závislosti od spôsobu použitia výrobku. Úroveň vibrácií môže byť oproti uvedenej hodnote vyššia.

Pri stanovení doby vystavenia sa vibráciám a určení bezpečnostných opatrení podľa normy 2002/44/EC na ochranu osôb pravidelne používajúcich elektrické náradie v zamestnaní by mal predbežný odhad pôsobenia vibrácií brať do úvahy aktuálne podmienky použitia náradia s prihliadnutím na všetky časti pracovného cyklu, ako aj času, počas ktorého je náradie vypnuté a kedy beží naprázdno.

## Štítky na náradí

Na stroji sú nasledovné piktogramy:



**Varovanie!** Aby ste znížili riziko vzniku úrazu musí byť obsluha oboznamená s týmto návodom na požitie.

## Elektrická bezpečnosť



Toto náradie je chránené dvojistou izoláciou; a preto nie je nutný žiaden uzemňovací vodič. Vždy skontrolujte, či zdroj napätia zodpovedá napätiu na výkonovom štítku.

- Poškodený kábel musí byť bezpečne vymenený výrobcom alebo autorizovaným servisným zástupcom firmy Black & Decker.

## Popis

Toto náradie je vybavené niektorými alebo všetkými nasledovnými prvkami.

1. Vypínač s reguláciou otáčok
2. Zaisťovacie tlačidlo
3. Prepínač pravý / ľavý chod
4. Volič režimu vrtania
5. Bočná rukoväť
6. Skľučovadlo na kľúčik (CD60RE)
6. Rýchloupevňovacie skľučovadlo (CD60CRE/CD70CRE/CD70CKA/AST2XC)

## Montáž

**Varovanie!** Pred montážou sa uistite, či je náradie vypnuté a či je prírodný kábel odpojený zo zásuvky.

### Upevnenie bočnej rukoväte (obr. A)

- Otočte držadlom (7) proti smeru pohybu hodinových ručičiek tak, aby bolo možné bočnú rukoväť (5) nasunúť podľa obrázku na prednú stranu náradia.
- Otočte bočnú rukoväť do požadovanej polohy.
- Dotiahnite bočnú rukoväť otáčaním držadla v smere pohybu hodinových ručičiek.

### Nasadenie vrtáku alebo skrutkovacieho nástavca (obr. B)

- Roztvorte skľučovadlo tak, že jednou rukou budete otáčať prednou časťou (8) a druhou rukou budete pridržať zadnú časť (9).
- Do skľučovadla zasuňte driek nástavca (10) a skľučovadlo pevne dotiahnite.

### Vybratie a nasadenie skľučovadla (obr. C)

- Roztvorte čeluste skľučovadla čo najviac.
- Odskrutkujte pomocou skrutkovača v smere chodu hodinových ručičiek pridrznú skrutku (11) umiestnenú v prednej časti skľučovadla.
- Do skľučovadla upnite imbusový kľúč (12) a udrzte doňho kladivom tak, ako je znázornené na obrázku.
- Imbusový kľúč vyberte.
- Otáčaním proti smeru pohybu hodinových ručičiek skľučovadlo vyskrutkujte.
- Skľučovadlo nasadíte späť tak, že ho naskrutkujete na hriadeľ a zaistíte pridrznou skrutkou.

## Použitie

**Varovanie!** Nechajte náradie pracovať jeho vlastným tempom. Zamedzte preťažovaniu náradia.

**Varovanie!** Pred vrtaním do muriva, podláh alebo stropov skontrolujte polohu skrytých elektrických vedení a potrubí.

### Voľba smeru otáčania (obr. D)

- Pri vrtaní a uťahovaní skrutiek prepnite prepínač pravého / ľavého chodu (3) do neutrálnej polohy.
- Pri povoľovaní skrutiek alebo vyberaní zaseknutého vrtáku prepnite prepínač chodu (3) doľava.

**Varovanie!** Nikdy nemeňte smer otáčania za chodu motora.



## Voľba pracovného režimu

- Pre vrtanie do muriva prepnete volič režimu vrtania (4) **T** do polohy.
- Pre vrtanie do ostatných materiálov a skrutkovanie nastavte volič režimu (4) do polohy **1**.

## Zapnutie a vypnutie (obr. E)

- Náradie zapnete stisnutím vypínača s reguláciou otáčok (1). Otáčky náradia závisia na intenzite stlačenia tohto vypínača. Všeobecne používajte nižšie otáčky pre väčšie priemery vrtákov a vyššie otáčky pre menšie priemery.
- Ak chcete zaistiť nepretržitý chod náradia, stlačte zaisťovacie tlačidlo (2) a uvoľnite vypínač s reguláciou otáčok. Táto funkcia je k dispozícii iba pri plných otáčkach.
- Náradie vypnite tak, že uvoľníte stlačenie hlavného vypínača s reguláciou otáčok. Ak chcete náradie z plynulého chodu vypnúť, stisnite opäť vypínač s reguláciou otáčok a uvoľnite ho.

## Príslušenstvo

Výkon Vášho náradia závisí na použití príslušenstva. Spoločnosť Black & Decker a spoločnosť Piranha konštruujú príslušenstvo na vysokej kvalitatívnej úrovni a je navrhnuté tak, aby zvýšilo výkonnosť Vášho náradia. Pomocou tohto príslušenstva dosiahnete s Vaším náradím tie najlepšie výsledky.


## Údržba

Vaše náradie bolo navrhnuté tak, aby malo dlhú životnosť a zároveň minimálne nároky na údržbu. Pravidelná starostlivosť o náradie a jeho pravidelné čistenie Vám zaistia jeho bezproblémovú prevádzku.

**Varovanie!** Pred prevádzkaním akejkoľvek údržby náradie vypnite a odpojte kábel od siete.

- Pravidelne čistite vetracie drážky na náradie pomocou mäkkej kefy alebo suchej handričky.
- Pravidelne čistite kryt motora vlhkou handričkou. Nepoužívajte na čistenie abrazívne prostriedky ani rozpúšťadlá.

## Ochrana životného prostredia

 Triedenie odpadu. Tento výrobok nesmie byť likvidovaný spolu s bežným komunálnym odpadom.

Jedného dňa zistíte, že náradie Black & Decker musíte vymeniť alebo ho už nebudete ďalej používať. V tomto prípade myslíte na ochranu životného prostredia a nevyhadzujte prístroj do domáceho odpadu. Likvidujte ho v triedenom odpade.



Triedený odpad umožňuje recykláciu a opätovné využitie použitých výrobkov a obalových materiálov. Opätovné použitie recyklovaných materiálov pomáha chrániť životné prostredie pred znečistením a znižuje spotrebu surovín.

Miestne zberne odpadov, recyklačné stanice alebo predajne Vám poskytnú informácie o správnej likvidácii elektro odpadov z domácnosti.

Tiež spoločnosť Black & Decker poskytuje možnosť zberu použitých výrobkov alebo ich recykláciu po ukončení ich životnosti. Využite túto bezplatnú službu a odovzdajte Váš nepoužívaný prístroj ktorémukoľvek autorizovanému servisnému stredisku.

Miesto Vašej najbližšej servisnej pobočky Black & Decker nájdete na príslušnej adrese uvedenej na zadnej strane tohto návodu. Zoznam autorizovaných stredísk Black & Decker a všetky podrobnosti týkajúce sa popredajného servisu nájdete tiež na internetovej adrese:

[www.2helpU.com](http://www.2helpU.com)

### Technické údaje

		CD60CRE	CD60RE	CD70CRE
Napätie zdroja	V <sub>AC</sub>	230	230	230
Príkon	W	600	600	710
Otáčky				
naprázdno	min <sup>-1</sup>	0-2 800	0-2 800	0-2 800
Maximálny priemer vrtania				
Oceľ/betón	mm	13	13	13
Drevo	mm	25	25	25
Hmotnosť	kg	1,84	1,84	1,84

		CD70CKA	AST2XC
Napätie zdroja	V <sub>AC</sub>	230	230
Príkon	W	710	710
Otáčky			
naprázdno	min <sup>-1</sup>	0-2 800	0-2 800
Maximálny priemer vrtania			
Oceľ/betón	mm	13	13
Drevo	mm	25	25
Hmotnosť	kg	1,84	1,84

## ES Prehlásenie o zhode EÚ



CD60CRE TYPE1/CD60RE TYPE1/CD70CRE  
TYPE1/CD70CKA TYPE1/AST2XC

Spoločnosť Black & Decker vyhlasuje, že tento  
výrobok zodpovedá nasledujúcim normám: 98/37/  
EC, EN 60745

Hladina akustického tlaku podľa normy EN 60745:

Akustický tlak ( $L_{pA}$ ) 106 dB(A), odchýlka (K)  
3 dB(A), akustický výkon ( $L_{WA}$ ) 117 dB(A), odchýlka  
(K) 3 dB(A)

Celková úroveň vibrácií (priestorový vektorový  
súčet) podľa normy EN 60745:

Vrtanie s príklepom do betónu ( $a_{h, ID}$ ) 16,3 m/s<sup>2</sup>,  
odchýlka (K) 2,2 m/s<sup>2</sup>, vrtanie do kovu ( $a_{h, D}$ )  
8,2 m/s<sup>2</sup>, odchýlka (K) 1,5 m/s<sup>2</sup>

Nižšie podpísaná osoba je zodpovedná za  
zostavenie technických údajov a vydáva  
toto prehlásenie v zastúpení spoločnosti  
Black & Decker.

Kevin Hewitt  
Riaditeľ spotrebiteľskej  
techniky  
Spennymoor, County Durham  
DL16 6JG, Veľká Británia  
1-10-2008

## Politika služieb zákazníkom

Spokojnosť zákazníka s výrobkom a servisom je náš najvyšší cieľ.

Kedykoľvek budete potrebovať radu či pomoc, obráťte sa s dôverou na náš najbližší servis Black & Decker, kde Vám vyškolený personál poskytne naše služby na najvyššej úrovni.

Záruka sa nevzťahuje na spotrebné príslušenstvo (vrtáky, skrutkovacie nástavce, pilové kotúče, hobľovacie nože, brúsne kotúče, pilové listy, brúsny papier a pod.) ani na príslušenstvo prístroja poškodené opotrebovaním.

Toto náradie nie je vhodné pre profesionálne použitie.

## Záruka Black & Decker 2 roky

Blažujeme Vám k zakúpeniu tohto kvalitného výrobku Black & Decker.

Náš záväzok ku kvalite zahŕňa v sebe samozrejme tiež naše služby zákazníkom.

Preto ponúkame záručnú dobu ďaleko presahujúcu minimálne požiadavky vyplývajúce zo zákona.

Kvalita tohto prístroja nám umožňuje ponúknuť Vám **2 ročnú záruku istoty**. Ak sa objavia akékoľvek materiálové, alebo výrobné chyby v priebehu 24 mesiacov od zakúpenia prístroja, ručíme za ich bezplatné odstránenie, prípadne, podľa nášho uváženia, bezplatnú výmenu prístroja za nasledujúcich podmienok:

- Prístroj bude dopravený (spolu s originálnym záručným listom Black & Decker a s dokladom o nákupe), do jedného z poverených servisných stredísk Black & Decker, ktoré sú autorizované na vykonávanie záručných opráv.
- Prístroj bol používaný iba s originálnym príslušenstvom alebo prídavnými zariadeniami a príslušenstvom BBW či Piranha, ktoré je vyslovene odporúčané ako vhodné na použitie spolu s prístrojom Black & Decker.
- Prístroj bol používaný a udržiavaný v súlade s návodom na obsluhu.
- Prístroj nevykazuje žiadne príčiny poškodenia spôsobené opotrebovaním.

Naviac servis Black & Decker poskytuje na všetky vykonávané prevedené opravy a vymenené náhradné diely ďalšiu servisnú záručnú dobu v trvaní 6 mesiacov.

## Black & Decker o.z.

Stará Vajnorská cesta 8  
831 04 Bratislava 3

Tel.: +421 2 446 38 121, 3

Fax: +421 2 446 38 122

informacie@blackanddecker.sk

Právo na prípadné zmeny vyhradené.

**01/2007**

## Назначение

Ваша ударная дрель Black & Decker предназначена для выполнения работ по сверлению в дереве, металле, пластике и камне, а также для заворачивания шурупов. Этот инструмент предназначен только для применения в домашних условиях.

## Правила безопасности

**Общие правила безопасности при работе с электроинструментами**



**Внимание! Перед началом работы внимательно прочтите все правила безопасности и инструкции по эксплуатации.** Несоблюдение приведенных ниже правил безопасности и инструкций может привести к поражению электрическим током, возникновению пожара и/или получению серьезной травмы.

**Сохраняйте все инструкции и правила безопасности для дальнейшего пользования.** Термин “Электроинструмент” во всех приведенных ниже указаниях относится к Вашему сетевому (с кабелем) электроинструменту или аккумуляторному (беспроводному) электроинструменту.

### 1. Безопасность рабочего места

- а. Содержите рабочее место в чистоте и обеспечьте хорошее освещение.** Беспорядок на рабочем месте и плохая освещенность могут привести к несчастному случаю.
- б. Не используйте электроинструмент, если есть опасность возгорания или взрыва, например, вблизи легко воспламеняющихся жидкостей, газов или пыли.** В процессе работы электроинструмента появляются искры, которые могут воспалить пыль или пары.
- в. Не подпускайте близко детей или посторонних лиц во время работы электроинструментом.** Вы можете отвлечься и потерять контроль над электроинструментом.

### 2. Электробезопасность

- а. Вилка кабеля электроинструмента должна подходить к сетевой розетке. Ни в коем случае не вносите**

**изменения в конструкцию вилки электрокабеля. Не пользуйтесь адаптерной вставкой для подключения заземленных электроинструментов.** Немодифицированные вилки и подходящие к ним сетевые розетки снижают риск поражения электрическим током.

- б. Избегайте контактов частей тела с заземленными объектами, например, трубопроводами, радиаторами отопления, электроплитами и холодильниками.** Существует повышенный риск поражения электрическим током, если вы какой-либо частью тела касаетесь земли.
  - в. Не подвергайте электроинструмент воздействию дождя или влаги.** Попадание жидкости внутрь электроинструмента повышает риск поражения электрическим током.
  - г. Бережно обращайтесь с кабелем. Ни в коем случае не переносите электроинструмент, держа его за кабель, и не беритесь за кабель при отключении от сетевой розетки. Не подвергайте кабель воздействию влаги и масла и держите его подальше от острых кромок и движущихся деталей.** Повышают риск поражения электрическим током.
  - д. При работе электроинструментом вне помещения пользуйтесь удлинительным кабелем, предназначенным для наружных работ.** Использование кабеля, предназначенного для работы вне помещения, снижает риск поражения электрическим током.
  - е. При необходимости работы электроинструментом во влажном помещении используйте источник питания, оборудованный устройством защитного отключения (УЗО).** Использование УЗО снижает риск поражения электрическим током.
- ### 3. Индивидуальная безопасность
- а. Будьте внимательны, следите за тем, что Вы делаете и руководствуйтесь здравым смыслом, когда Вы работаете электроинструментом. Не пользуйтесь электроинструментом, если Вы устали или находитесь под действием наркотиков, алкоголя или лекарств.**

- Минутная невнимательность при работе электроинструментами может привести к серьезной травме.
- б. Пользуйтесь средствами индивидуальной защиты. Всегда надевайте защитные очки.** Разумное использование таких средств индивидуальной защиты, как респиратор, ботинки на нескользящей подошве, защитный шлем и слухозащитные наушники, значительно снизит риск получения травмы.
- в. Не допускайте случайного запуска. Перед тем, как подключить электроинструмент к сети и/или аккумулятору, поднять или перенести его, убедитесь, что выключатель находится в положении “выключено”.** Не переносите электроинструмент с нажатой кнопкой выключателя, и не подключайте к сетевой розетке электроинструмент, выключатель которого установлен в положение “включено”. Это может привести к несчастному случаю.
- г. Перед включением электроинструмента снимите регулировочный или гаечный ключ.** Оставленный закрепленным на вращающейся части регулировочный или гаечный ключ может стать причиной тяжелой травмы.
- д. Не допускайте перенапряжения. Всегда твердо стойте на ногах, сохраняя равновесие.** Это поможет Вам не потерять контроль над электроинструментом в непредвиденной ситуации.
- е. Одевайтесь соответствующим образом. Не носите свободную одежду или украшения.** Следите за тем, чтобы Ваши волосы, одежда или перчатки не попали в движущиеся части инструмента. Свободная одежда, украшения или длинные волосы могут попасть в движущиеся части инструмента.
- ж. Если электроинструмент имеет устройства для подключения систем сбора и удаления пыли, убедитесь, что эти системы подключены и используются надлежащим образом.** Использование систем пылеулавливания значительно снижает опасность, связанную с запыленностью рабочего пространства.
- 4. Использование и уход за электроинструментом**
- а. Не перегружайте электроинструмент. Используйте Ваш инструмент по назначению.** Электроинструмент работает надежно и безопасно только при соблюдении параметров, указанных в его технических характеристиках.
- б. Не используйте электроинструмент, если его выключатель не устанавливается в положение включения или выключения.** Электроинструмент с неисправным выключателем представляет опасность и подлежит ремонту.
- в. Отключайте электроинструмент от сетевой розетки и/или извлекайте аккумуляторную батарею перед регулированием, заменой принадлежностей или при хранении электроинструмента.** Такие меры предосторожности снижают риск случайного включения электроинструмента.
- г. Храните неиспользуемые электроинструменты в недоступном для детей месте и не позволяйте лицам, не знакомым с электроинструментом или данными инструкциями, работать электроинструментом.** Электроинструменты представляют опасность в руках неопытных пользователей.
- д. Проверяйте исправность электроинструмента. Проверяйте точность совмещения и легкость перемещения подвижных деталей, целостность деталей и любых других элементов электроинструмента, воздействующих на его работу. Направляйте поврежденные электроинструменты в ремонт.** Многие несчастные случаи являются следствием плохого ухода за электроинструментом.
- е. Следите за остротой заточки и чистотой режущих принадлежностей.** Принадлежности с острыми кромками позволяют избежать заклинивания и делают работу менее утомительной.
- ж. Используйте электроинструмент, принадлежности и насадки в соответствии с данным Руководством и с учетом рабочих условий и характера будущей работы.** Использование

электроинструмента не по назначению может создать опасную ситуацию.

## 5. Техническое обслуживание

- а. Ремонт Вашего электроинструмента должен производиться только квалифицированными специалистами с использованием оригинальных запасных частей.** Это обеспечит безопасность Вашего электроинструмента в дальнейшей эксплуатации.

### Дополнительные меры безопасности при работе электроинструментами



**Внимание!** Дополнительные меры безопасности при работе дрелями/ударными дрелями

- **При работе ударной дрелью используйте слухозащитные приспособления.** Воздействие шума может привести к потере слуха.
- **При работе пользуйтесь дополнительными рукоятками, прилагающимися к инструменту.** Потеря контроля над инструментом может привести к тяжелой травме.
- **Держите инструмент за изолированные ручки при выполнении операций, во время которых режущий инструмент может соприкоснуться со скрытой проводкой или собственным кабелем.** При контакте с находящимся под напряжением проводом, на неизолированных металлических частях инструмента также появляется напряжение, что приводит к поражению электрическим током.
- **Используйте тиски или другие приспособления для фиксации обрабатываемой детали, при этом кладите ее на неподвижную поверхность.** Если держать обрабатываемую деталь руками или с упором в собственное тело, то можно потерять контроль над инструментом или обрабатываемой деталью.
- Прежде, чем сверлить отверстия в стенах, полах или потолках, проверьте их на наличие электропроводки и трубопроводов.
- Не дотрагивайтесь до наконечника сверла сразу же после окончания сверления, так как он может быть горячим.

- Использование инструмента физически или умственно неполноценными людьми, а также детьми и неопытными лицами, допускается только под контролем ответственного за их безопасность лица. Всегда следите, чтобы дети не играли с устройством.
- Назначение инструмента описывается в данном руководстве по эксплуатации. Используйте все насадки и приспособления и работайте данным инструментом строго в соответствии с данным руководством. Использование не по назначению может привести к серьезной травме и повреждению инструмента или обрабатываемого изделия.

### Вибрация

Значения уровня вибрации, указанные в технических характеристиках инструмента и декларации соответствия, были измерены в соответствии со стандартным методом определения вибрационного воздействия согласно EN 60745 и могут использоваться при сравнении характеристик различных инструментов. Приведенные значения уровня вибрации могут также использоваться для предварительной оценки величины вибрационного воздействия.

**Внимание!** Значения вибрационного воздействия при работе электроинструментом зависят от вида работ, выполняемых данным инструментом, и могут отличаться от заявленных значений. Уровень вибрации может превышать заявленное значение.

При оценке степени вибрационного воздействия для определения необходимых защитных мер (2002/44/ЕС) для людей, использующих в процессе работы электроинструменты, необходимо принимать во внимание действительные условия использования электроинструмента, учитывая все составляющие рабочего цикла, в том числе время, когда инструмент находится в выключенном состоянии, и время, когда он работает без нагрузки, а также время его запуска и отключения.

### Маркировка инструмента

На инструменте имеются следующие знаки:



**Внимание!** Внимательное ознакомление с руководством по

эксплуатации поможет снизить риск получения травмы.

### Электробезопасность



Данный электроинструмент защищен двойной изоляцией, исключающей потребность в заземляющем проводе. Всегда проверяйте, соответствует ли напряжение, указанное на табличке с техническими параметрами, напряжению источника питания.

- Во избежание опасности, замена поврежденного кабеля питания должна производиться только на заводе-изготовителе или в авторизованном сервисном центре Black & Decker.

### Особенности

Электроинструмент имеет все или некоторые из следующих особенностей.

1. Включатель с регулируемой скоростью
2. Кнопка для застопоривания выключателя
3. Переключатель реверса
4. Переключатель режима сверления
5. Боковая ручка
6. Ключевой патрон (CD60RE)
6. Беспатронный патрон (CD60CRE/CD70CRE/CD70CKA/AST2XC)

### Сборка

**Внимание!** Перед сборкой убедитесь в том, что инструмент выключен и отсоединен от питания.

#### Установка боковой ручки (Рис. А)

- Поворачивайте рукоятку (7) против часовой стрелки до тех пор, пока боковая ручка (5) не встанет на предназначенное для нее место в передней части инструмента.
- Поверните боковую ручку, установив ее в нужное положение.
- Зафиксируйте боковую ручку, повернув рукоятку по часовой стрелке.

#### Установка и снятие сверла или отверточной насадки (Рис. В)

- Надежно затяните патрон, одной рукой поворачивая его переднюю часть (8), а другой придерживая заднюю часть (9).
- Вставьте хвостовик насадки (10) в патрон и надежно затяните.

#### Снятие и установка патрона (Рис. С)

- Максимально раскройте патрон.
- Выньте стопорный винт (11), находящийся в передней части патрона, открутив его по часовой стрелке с помощью отвертки

- Вставьте в патрон ключ-шестигранник (12) и ударьте по нему молотком, как показано на рисунке.
- Выньте ключ.
- Снимите патрон, повернув его против часовой стрелки.
- Чтобы установить патрон, привинтите его на шпindelь и закрепите с помощью стопорного винта.

### Эксплуатация

**Внимание!** Давайте инструменту работать с установленным темпом. Не перегружайте инструмент.

**Внимание!** Прежде, чем сверлить отверстия в стенах, полах или потолках, проверьте их на наличие электропроводки и трубопроводов.

#### Выбор направления вращения (Рис. D)

- Выполняйте сверление и заворачивание шурупов, установив переключатель реверса (3) в нейтральное положение.
- Для выкручивания шурупов или извлечения заклинившего сверла сдвиньте переключатель реверса (3) влево.

**Внимание!** Всегда выключайте инструмент перед изменением направления вращения.

#### Выбор режима сверления

- Для сверления по камню установите переключатель режимов сверления (4) в положение **Т**.
- Для сверления в других материалах и заворачивания шурупов, установите переключатель режимов сверления (4) в положение **1**.

#### Включение и выключение (Рис. Е)

- Чтобы включить инструмент, нажмите на включатель с регулируемой скоростью (1). Скорость инструмента зависит от глубины нажатия клавиши включателя. Общей рекомендацией является использование низких скоростей при работе со сверлами больших диаметров и высоких скоростей при работе с более тонкими сверлами.
- Для непрерывной работы нажмите кнопку застопоривания выключателя (2) и отпустите клавишу включателя. Данная функция доступна только для работы на полной скорости.
- Чтобы выключить инструмент, отпустите кнопку включателя. Для выключения инструмента, находящегося в режиме

непрерывной работы, нажмите включатель еще раз и отпустите его

## Аксессуары

Эффективность работы Вашего инструмента зависит от качества используемых Вами аксессуаров. Аксессуары Black & Decker и Piranha соответствуют высоким стандартам качества и разработаны для повышения эффективности работы Вашего инструмента. С помощью этих аксессуаров Вы сможете максимально эффективно использовать Ваш инструмент.

## Техническое обслуживание

Ваш электроинструмент рассчитан на работу в течение продолжительного времени при минимальном техническом обслуживании. Срок службы и надежность инструмента увеличивается при правильном уходе и регулярной чистке.

**Внимание!** Перед проведением какой-либо операции технического обслуживания, выключайте инструмент и вытаскивайте его из розетки.

- Регулярно очищайте вентиляционные прорези Вашего электроинструмента и зарядного устройства мягкой щеткой или сухой салфеткой.
- Регулярно очищайте корпус двигателя влажной салфеткой. Не пользуйтесь абразивными чистящими средствами или растворителями.

## Защита окружающей среды



Раздельный сбор. Данное изделие нельзя утилизировать вместе с обычными бытовыми отходами.

Если однажды Вы захотите заменить Ваш электроинструмент Black & Decker, или Вы больше в нем не нуждаетесь, не выбрасывайте его вместе с бытовыми отходами. Отнесите изделие в специальный приемный пункт.



Раздельный сбор изделий с истекшим сроком службы и их упаковок позволяет пускать их в переработку и повторно использовать. Использование переработанных материалов помогает защищать окружающую среду от загрязнения и снижает расход сырьевых материалов.

Местное законодательство может обеспечить сбор старых электроинструментов отдельно от бытового мусора на муниципальных свалках отходов, или Вы можете сдавать их в торговом предприятии при покупке нового изделия.

Фирма Black & Decker обеспечивает прием и переработку отслуживших свой срок изделий Black & Decker. Чтобы воспользоваться этой услугой, Вы можете сдать Ваше изделие в любой авторизованный сервисный центр, который собирает их по нашему поручению.

Вы можете узнать место нахождения Вашего ближайшего авторизованного сервисного центра, обратившись в Ваш местный офис Black & Decker по адресу, указанному в данном руководстве по эксплуатации. Кроме того, список авторизованных сервисных центров Black & Decker и полную информацию о нашем послепродажном обслуживании и контактах Вы можете найти в интернете по адресу: [www.2helpU.com](http://www.2helpU.com).

### Технические характеристики

		CD60CRE	CD60RE	CD70CRE
Входное напряжение				
	V перем. ток	230	230	230
Входная мощность Вт		600	600	710
Число оборотов х.х.		мин <sup>-1</sup> 0-2800	0-2800	0-2800
Макс. диам. сверления:				
	Сталь / бетон	мм 13	13	13
	Дерево	мм 25	25	25
	Вес	кг 1,84	1,84	1,84

		CD70СКА	AST2XC
Входное напряжение			
	V перем. ток	230	230
Входная мощность Вт		710	710
Число оборотов х.х.		мин <sup>-1</sup> 0-2800	0-2800
Макс. диам. сверления:			
	Сталь / бетон	мм 13	13
	Дерево	мм 25	25
	Вес	кг 1,84	1,84



**Декларация соответствия ЕС**

CD60CRE TYPE1/CD60RE TYPE1/CD70CRE  
TYPE1/CD70СКА TYPE1/AST2XC

Black & Decker заявляет, что данные  
электроинструменты разработаны в полном  
соответствии со стандартами: 98/37/ЕС,  
EN 60745

Уровень звукового давления в соответствии  
с EN 60745:

Звуковое давление ( $L_{pA}$ ) 106 дБ(А), погрешность  
(К) 3 дБ(А), Акустическая мощность ( $L_{WA}$ )  
117 дБ(А), погрешность (К) 3 дБ(А)

Суммарная вибрация (по трем осям)  
в соответствии с EN 60745:

Ударное сверление по бетону ( $a_{h,D}$ ) 16,3 м/с<sup>2</sup>,  
погрешность (К) 2,2 м/с<sup>2</sup>, Сверление по металлу  
( $a_{h,W}$ ) 8,2 м/с<sup>2</sup>, погрешность (К) 1,5 м/с<sup>2</sup>

Нижеподписавшийся несет ответственность за  
сбор технических характеристик и делает дан-  
ное заявление от лица компании Black & Decker.



Кевин Хьюитт  
(Kevin Hewitt)  
Директор подразделения  
бытовой техники  
Spennymoor, County Durham  
DL16 6JG, United Kingdom  
1-10-2008

## БЛЭК ЭНД ДЕККЕР

гарантийные условия

Уважаемый покупатель!

1. Поздравляем Вас с покупкой высококачественного изделия BLACK & DECKER и выражаем признательность за Ваш выбор.
- 1.1. Надежная работа данного изделия в течение всего срока эксплуатации - предмет особой заботы наших сервисных служб. В случае возникновения каких-либо проблем в процессе эксплуатации изделия рекомендуем Вам обращаться только в авторизованные сервисные организации, адреса и телефоны которых Вы сможете найти в Гарантийном талоне или узнать в магазине. Наши сервисные станции - это не только квалифицированный ремонт, но и широкий выбор запчастей и принадлежностей.
- 1.2. При покупке изделия требуйте проверки его комплектности и исправности в Вашем присутствии, инструкцию по эксплуатации и заполненный Гарантийный талон на русском языке. При отсутствии у Вас правильно заполненного Гарантийного талона мы будем вынуждены отклонить Ваши претензии по качеству данного изделия.
- 1.3. Во избежание недоразумений убедительно просим Вас перед началом работы с изделием внимательно ознакомиться с инструкцией по его эксплуатации.
- 1.4. Обращаем Ваше внимание на исключительно бытовое назначение данного изделия.
2. Правовой основой настоящих гарантийных условий является действующее Законодательство и, в частности, Закон "О защите прав потребителей".
3. Гарантийный срок на данное изделие составляет 24 месяца и исчисляется со дня продажи через розничную торговую сеть. В случае устранения недостатков изделия, гарантийный срок продлевается на период, в течение которого оно не использовалось.
4. Срок службы изделия - 5 лет (минимальный, установленный в соответствии с Законом "О защите прав потребителей").
5. Наши гарантийные обязательства распространяются только на неисправности, выявленные в течение гарантийного срока и обусловленные производственными и конструктивными факторами.
6. Гарантийные обязательства не распространяются:
  - 6.1. На неисправности изделия, возникшие в результате:
    - 6.1.1. Несоблюдения пользователем предписаний инструкции по эксплуатации изделия.
    - 6.1.2. Механического повреждения, вызванного внешним ударным или любым иным воздействием.

- 6.1.3. Использования изделия в профессиональных целях и объемах, в коммерческих целях.
- 6.1.4. Применения изделия не по назначению.
- 6.1.5. Стихийного бедствия.
- 6.1.6. Неблагоприятных атмосферных и иных внешних воздействий на изделие, таких как дождь, снег, повышенная влажность, нагрев, агрессивные среды, несоответствие параметров питающей электросети указанным на инструменте.
- 6.1.7. Использования принадлежностей, расходных материалов и запчастей, не рекомендованных или не одобренных производителем.
- 6.1.8. Проникновения внутрь изделия посторонних предметов, насекомых, материалов или веществ, не являющихся отходами, сопровождающими применение по назначению, такими как стружка опилки и пр. .
- 6.2. На инструменты, подвергавшиеся вскрытию, ремонту или модификации вне уполномоченной сервисной станции.
- 6.3. На принадлежности, запчасти, вышедшие из строя вследствие нормального износа, и расходные материалы, такие как приводные ремни, угольные щетки, аккумуляторные батареи, ножи, пилки, абразивы, пыльные диски, сверла, буры и т. п. .
- 6.4. На неисправности, возникшие в результате перегрузки инструмента, повлекшей выход из строя электродвигателя или других узлов и деталей. К безусловным признакам перегрузки изделия относятся, помимо прочих: появление цветов побежалости, деформация или оплавление деталей и узлов изделия, потемнение или обугливание изоляции проводов электродвигателя под воздействием высокой температуры.



Black & Decker ГмБХ, Black & Decker  
Штрассе, 40, 65510 Идштайн, Германия.

ME 77

**03 июня 1999 г.**

## Область застосування

Ваш дріль/шуруповерт виробництва фірми Black & Decker розроблений для свердління деревини, металу, пластику, каменю, а також для використання в якості викрутки. Цей інструмент призначений лише для побутового використання.

## Інструкції з техніки безпеки

**Загальні правила безпеки для електричного інструменту**



**Попередження! Перед використанням інструменту уважно прочитайте всі попередження та інструкції.**

Невиконання попереджень та інструкцій, що наведені нижче, може призвести до ураження електричним струмом, пожежі та/або серйозних травм.

**Зберігайте це керівництво для отримання інформації в подальшому.** Термін "електричний інструмент" в усіх попередженнях, перерахованих нижче, стосується використовуваних Вами інструментів, що працюють від мережі енергоспоживання або акумуляторів.

### 1. Безпека на робочому місці


- a. **Тримайте робочу зону чистою та добре освітленою.** Неупорядковані та темні робочі зони збільшують ймовірність нещасного випадку.
- b. **Не використовуйте електричні інструменти у вибухонебезпечній атмосфері, наприклад, в присутності вогнебезпечних рідин, газів та пилу.** Електричні інструменти створюють іскри, що можуть запалити пил або випаровування.
- c. **Тримайте дітей та сторонніх подалі під час використання інструменту.** Відвернення уваги може призвести до втрати контролю.

### 2. Електрична безпека

- a. **Вилка електричного інструменту має відповідати розетці. Ніколи ніяким чином не змінюйте розетку. Не використовуйте адаптерів з заземленими електричними інструментами.** Немодифіковані вилки та розетки, що підходять до них, зменшують ризик ураження електричним струмом.
- b. **Уникайте контакту тіла з заземленими поверхнями, такими як труби, радіатори,**

**плити та холодильники.** Якщо Ваше тіло заземлене, ризик ураження електричним струмом збільшується.

- c. **Не залишайте електричні інструменти під дощем або в умовах підвищеної вологості.** Вода, що потрапляє в електричний інструмент, підвищує ризик ураження електричним струмом.
  - d. **Не використовуйте шнур не за призначенням. Ніколи не використовуйте шнур для переносу, витягнення або відключення електричного інструменту.** Тримайте шнур подалі від високих температур, мастила, гострих предметів та рухомих деталей. Ушкоджений або заплутаний шнур підвищує ризик ураження електричним струмом.
  - e. **При використанні електричного інструменту на вулиці, використовуйте подовжуючий шнур, що підходить для використання на вулиці.** Використання шнура, що підходить для вулиці, знижує ризик ураження електричним струмом.
  - f. **Якщо неможливо уникнути використання електричного інструменту в умовах підвищеної вологості, використовуйте живлення, захищене пристроєм залишкового струму (RCD).** Використання RCD знижує ризик ураження електричним струмом.
- ### 3. Особиста безпека
- a. **Будьте в стані готовності, дивіться, що ви робите, та використовуйте загальний глузд, коли ви працюєте з електричним інструментом. Не використовуйте електричний інструмент, коли ви втомлені або знаходитесь під впливом наркотичних речовин, алкоголю або ліків.** Втрата уваги при роботі з електричним інструментами може призвести до серйозних травм.
  - b. **Використовуйте особисті засоби безпеки. Завжди використовуйте засоби захисту очей.** Засоби безпеки такі, як протипиловий респіратор, неслизькі захисні чоботи, твердий капелюх та засоби захисту органів та зору, що використовуються у відповідних умовах, знижують ризик особистих травм.
  - c. **Уникнення випадкового запуску. Переконайтеся, що вимикач знаходиться в позиції Вимк. перед підключенням до джерела живлення та/або акумулятора,**

- переміщенням або перенесенням пристрою. Перенесення інструменту, тримаючи палець на вимикачі, або підключення живлення з перемикачем в позиції Вмик. може призвести до нещасного випадку.
- d. **Зніміть всі налаштувальні ключі або гайкові ключі перед тим, як вмикати електричний інструмент.** Гайковий ключ, що залишився прикріпленням до якоїсь деталі електричного пристрою, що обертається, може призвести до травм.
  - e. **Не перенапружуйтеся. Завжди утримуйте правильну постановку ніг і рівновагу.** Це дозволяє тримати електричний інструмент під кращим контролем в несподіваних ситуаціях.
  - f. **Вдягайтеся відповідним чином. Не вдягайте вільний одяг чи прикраси. Тримайте ваше волосся, одяг та рукавички подалі від рухомих деталей.** Вільний одяг, прикраси або довге волосся може зачепитися за рухомі деталі.
  - g. **Якщо передбачені пристрої для підключення до засобів виділення та збирання пилу, переконайтеся, що вони правильно підключені та використовуються.** Використання таких пристроїв зменшує ризик виникнення небезпечних ситуацій, що пов'язані з потраплянням пилу.
4. **Використання та догляд за електричним інструментом**
    - a. **Не використовуйте надмірні зусилля при роботі з механізованим інструментом. Використовуйте відповідний електричний інструмент для вашої задачі.** Правильно обраний інструмент виконає завдання краще та безпечніше за умов, для яких він був розроблений.
    - b. **Не використовуйте інструмент, вмикач якого не вмикає та не вимикає його.** Будь-який електричний інструмент, який не може управлятися вмикачем, є небезпечним і має бути відремонтований.
    - c. **Відключіть вилку від джерела живлення перед тим, як робити будь-які налаштування, зміни додаткового обладнання, чи зберігання інструменту.** Ці профілактичні заходи зменшують ризик випадкового запуску електричного інструменту.
    - d. **Бережіть вимкнені електричні інструменти від дітей та не дозволяйте особам, що не знайомі з електричним інструментом або цими інструкціями використовувати електричний інструмент.** Електричні інструменти є небезпечними в руках некваліфікованих користувачів.
    - e. **Технічне обслуговування електричних інструментів. Перевіряйте на відсутність вирівнювання або заїдання рухомих деталей, ушкоджених частин та інших умов, що можуть впливати на роботу електричного інструменту. Якщо є ушкодження, відремонтуйте електричний інструмент перед використанням.** Багато нещасних випадків є результатом того, що інструмент не пройшов відповідного технічного обслуговування.
    - f. **Тримайте ріжучі інструменти гострими та чистими.** Правильно доглянуті ріжучі інструменти з гострими ріжучими кромками мають меншу ймовірність заїдання, та ними легше керувати.
    - g. **Використовуйте електричний інструмент, додаткові інструменти та деталі інструменту тощо у відповідності до цих інструкцій та відповідно до даного типу механізованих інструментів, зважаючи на умови використання та роботу, яка має бути виконана.** Використання електричних інструментів не за призначенням може призвести до виникнення небезпечних ситуацій.
  5. **Обслуговування**
    - a. **Надавайте Ваш електричний інструмент для обслуговування кваліфікованим спеціалістом з ремонту та використовуйте тільки ідентичні замініні деталі.** Це забезпечить безпеку електричного пристрою, що обслуговується.
- Додаткові правила безпеки для електричного інструменту**
-  **Попередження!** Додаткові попередження з техніки безпеки для дрилі та ударної дрилі
- **Використовуйте засоби захисту органів слуху при роботі з ударним дрилем.** Шум може викликати втрату слуху.

- **Використовуйте додаткові ручки, що надаються з інструментом.** Втрата контролю над інструментом може викликати травми.
- **Тримайте електричні інструменти за ізольовану поверхню при виконанні операцій, при яких ріжуча поверхня може торкнутися схованих проводки або власного кабелю.** Ріжучі елементи при контакті з дротом під напругою може призвести до появи напруги в інструменті та ураження оператора електричним струмом.
- **Використовуйте затискач або інший спосіб закріплення деталі, що оброблюється, на стабільній платформі.** Утримання деталі в руках або притискання її до тіла робить цю деталь нестабільною та може призвести до втрати контролю.
- Перед свердлінням стін, підлоги та стелі переконайтеся, що в цьому місці не розташована електрична проводка та труби.
- Уникайте контакту з кінцем свердла відразу після свердління, тому що він може бути гарячим.
- Цей інструмент не призначений для використання людьми (включаючи дітей) з недостатніми фізичними, сенсорними або розумовими можливостями, або з недостатнім досвідом або знаннями, за винятком ситуацій, коли вони працюють під контролем або отримали відповідні інструкції щодо використання пристрою від відповідального за їх безпеку. Діти повинні знаходитись під контролем, щоб гарантувати, що вони не будуть грати з пристроєм.
- Використання за призначенням описане в цьому керівництві. Використання аксесуарів або приладдя, або виконання будь-яких дій з інструментом, що суперечать рекомендаціям цього керівництва, може призвести до ризику травмування людини та/або пошкодження майна.

## Вібрація

Значення вібрації, вказані в технічних даних та в декларації про відповідність виміряні з дотриманням стандартних методів тестування, наданих в EN 60745, та їх можна використовувати для порівняння одного інструменту з іншим. Задекларовані значення вібрації можна також використовувати для попередньої оцінки впливу вібрації.

**Попередження!** Значення вібрації під час використання інструменту може відрізнятись від задекларованого в залежності від способів використання інструменту. Рівень вібрації може перевищувати вказані значення.

При оцінці впливу вібрації для визначення заходів безпеки за вимогами 2002/44/ЕС, щоб захистити людей, що регулярно використовують інструменти в роботі, необхідно враховувати реальні умови та способи використання інструменту, включаючи врахування всіх періодів робочого циклу, наприклад, часу, коли інструмент вимкнено та коли він знаходиться в режимі очікування, а також часу реальної роботи інструменту.

## Написи на інструменті

На інструменті є наступні піктограми:



**Попередження!** Щоб зменшити ризик травм, користувач повинен прочитати керівництво з експлуатації.

## Електрична безпека



Цей інструмент має подвійну ізоляцію; тому заземлення не є необхідним. Завжди перевіряйте, що джерело живлення відповідає напрузі, що вказана на таблиці з паспортними даними.

- Якщо шнур живлення пошкоджений, його необхідно замінити, звернувшись до виробника або до офіційного сервісного центру компанії Black & Decker, щоб уникнути можливого ризику.

## Деталі

Цей інструмент має деякі чи всі деталі з нижче вказаних.

1. Перемикач змінної швидкості
2. Кнопка захвату
3. Перемикач Вперед/назад
4. Вибір режиму свердління
5. Бокова ручка
6. Ключовий патрон (CD60RE)
6. Безключовий патрон (CD60CRE/CD70CRE/CD70CKA/AST2XC)

## Зборка

**Попередження!** Перед зборкою переконайтеся, що інструмент вимкнено та вилка витягнута з розетки.

## Установка бокової ручки (Мал. А)

- Поверніть ручку затиску проти годинникової стрілки, доки Ви не зможете розмістити

бокову ручку (5) спереду інструменту, як показано.

- Поверніть бокову ручку в необхідну позицію.
- Закріпіть бокову ручку, повертаючи ручку затиску за годинниковою стрілкою.

## Встановлення свердла або біти (Мал. В)

- Відкрийте затискний патрон, повертаючи передню частину (8) однією рукою та утримуючи задню частину (9) іншою.
- Вставте хвостовик біти (10) в патрон та добре затягніть.

## Зняття та установка затискного патрона (Мал. С)

- Відкрийте патрон, як можна ширше.
- Зніміть стопорний гвинт патрона (11), розташований в передній частині патрона, повертаючи його за годинниковою стрілкою за допомогою викрутки.
- Закріпіть торцевий ключ (12) в патроні та вдарте по ньому за допомогою молотка, як показано.
- Зніміть торцевий ключ.
- Зніміть патрон, повертаючи його проти годинникової стрілки.
- Щоб знов встановити патрон, прикріпіть його до шпинделя та закріпіть за допомогою стопорного гвинта патрону.

## Використання

**Попередження!** Інструмент повинен працювати зі своєю швидкістю. Не перевантажуйте його.

**Попередження!** Перед свердлінням стін, підлоги та стелі переконайтесь, що в цьому місці не розташована електрична проводка та труби.

## Вибір напрямку обертання (Мал. D)

- Для свердління та затягування шурупів, розташуйте перемикач вперед/назад (3) в нейтральну позицію.
- Для відкручування шурупів або для зняття закріпленого свердла, поверніть перемикач вперед/назад (3) вліво.

**Попередження!** Ніколи не змінюйте напрямок обертання, коли мотор працює.

## Вибір режиму свердління

- При використанні функції свердління в камені встановіть селектор вибору режиму свердління (4) в позицію **T**.
- Для свердління в інших матеріалах та для використання функції шурупверта

встановіть селектор вибору режимів (4) в позицію **1**.

## Ввімкнення та вимкнення (Мал. Е)

- Щоб ввімкнути інструмент, натисніть на перемикач змінної швидкості (1). Швидкість інструменту залежить від того, наскільки сильно Ви натиснете на перемикач. Загальним правило є використання невеликих швидкостей для свердління за допомогою свердлів великих діаметрів та використання більших швидкостей для свердління за допомогою свердлів менших діаметрів.
- Для безперервної роботи, натисніть кнопку блокування (2) та відпустіть перемикач змінної швидкості. Ця можливість є лише при використанні повної швидкості інструменту.
- Щоб вимкнути інструмент, відпустіть перемикач змінної швидкості. Щоб вимкнути інструмент при безперервному режимі роботи, натисніть перемикач змінної швидкості ще раз та відпустіть його.

## Витратні матеріали

Продуктивність роботи інструменту залежить від витратних матеріалів, які Ви використовуєте. Витратні матеріали компаній Black & Decker та Piganha створені згідно зі стандартами високої якості та розроблені для покращення роботи інструменту. Використовуючи ці витратні матеріали, Ви отримаєте максимальну ефективність від вашого інструменту.

## Технічне обслуговування

Ваш інструмент призначений для роботи протягом довгого часу з мінімальним обслуговуванням. Постійна задовільна робота залежить від правильного догляду за інструментом та регулярної очистки.

**Попередження!** Перед проведенням технічного обслуговування вимкніть інструмент та від'єднайте його від розетки.

- Регулярно очищуйте вентиляційні отвори інструменту, використовуючи м'яку щітку чи суху ганчірку.
- Регулярно очищуйте корпус мотору вологою ганчіркою. Не використовуйте абразивні засоби та очищаючі засоби, що містять розчинники.

## Захист навколишнього середовища



Окреме збирання. Цей Вироб не має викидатися на смітник із звичайним побутовим сміттям.

Якщо яось Ви вирішите, що ваш вироб фірми Black & Decker має бути замінено, або він Вам більше не потрібний, не викидайте його на смітник побутового сміття. Зробіть цей вироб доступним для окремого збору.



Окремий збір використаних виробів та упаковки дозволяє повторно переробляти та використовувати матеріали. Переробка повторно використовуваних матеріалів допомагає попередити забруднення навколишнього середовища та зменшує потребу в сировині.

Місцеві законодавчі акти можуть передбачати окремий збір електричного обладнання в муніципальних місцях для збору сміття або продавцями при покупці нового обладнання.

Компанія Black & Decker має можливість для збору та переробки продуктів власного виробництва після закінчення їхнього терміну служби. Щоб скористатися цією послугою, поверніть вироб компанії в офіційний сервісний центр, які збирають відпрацьовані продукти за наш рахунок.

Ви можете знайти місцезнаходження найближчого до Вас сервісного центру, зв'язавшись з місцевим офісом компанії Black & Decker за адресою, вказаною в цих інструкціях. Крім того, список офіційних сервісних центрів компанії Black & Decker з усіма подробицями нашого післяпродажного обслуговування та контактною інформацією міститься в Інтернеті за адресою:

[www.2helpU.com](http://www.2helpU.com)

### Технічні дані

		CD60CRE	CD60RE	CD70CRE
Вхідна напруга	V <sub>AC</sub>	230	230	230
Вхідна потужність	Вт	600	600	710
Швидкість без навантаження	хв <sup>-1</sup>	0-2 800	0-2 800	0-2 800
Максимальна глибина свердління				
Сталь/бетон	мм	13	13	13
Дерево	мм	25	25	25
Вага	кг	1,84	1,84	1,84

		CD70CKA	AST2XC
Вхідна напруга	V <sub>AC</sub>	230	230
Вхідна потужність	Вт	710	710
Швидкість без навантаження	хв <sup>-1</sup>	0-2 800	0-2 800
Максимальна глибина свердління			
Сталь/бетон	мм	13	13
Дерево	мм	25	25
Вага	кг	1,84	1,84

### Заява про відповідність ЄС

CD60CRE TYPE1/CD60RE TYPE1/CD70CRE TYPE1/CD70CKA TYPE1/AST2XC

Компанія Black & Decker заявляє, що ці продукти відповідають наступним вимогам: 98/37/EC, EN 60745

Рівень звукового тиску згідно з EN 60745:  
Звуковий тиск (L<sub>РА</sub>) 106 дБ(А), погрішність (К) 3 дБ (А), Звукова потужність (L<sub>WA</sub>) 117 дБ(А), погрішність звукової потужності (К) 3 дБ(А)

Загальні значення вібрації (векторна сума трьох векторів) згідно з EN 60745:

Використання ударного тиску на бетон (a<sub>h, D</sub>) 16,3 м/с<sup>2</sup>, погрішність (К) 2,2 м/с<sup>2</sup>, свердління металу (a<sub>h, D</sub>) 8,2 м/с<sup>2</sup>, погрішність (К) 1,5 м/с<sup>2</sup>

Нижчепідписаний несе відповідальність за упорядкування файлу технічних характеристик та робить цю заяву від компанії Black & Decker

Кевін Хьюїт (Kevin Hewitt)  
Директор з виробництва побутової техніки

Спеннімуп, графство Дарем  
DL16 6JG, Великобританія  
1-10-2008

## БЛЕК ЕНД ДЕКЕР

гарантійні умови

Шановний покупцю!

1. Вітаємо Вас з покупкою високоякісного виробу компанії Black & Decker та висловлюємо Вам свою вдячність за Ваш вибір.
- 1.1. Надійна робота цього виробу на протязі всього терміну експлуатації є предметом особливої турботи наших сервісних служб. У випадку виникнення будь-яких проблем в процесі експлуатації виробу ми рекомендуємо Вам звертатися лише до авторизованих сервісних організацій, адреси та телефони яких Ви зможете знайти в Гарантійному талоні або дізнатися в магазині. Наші сервісні центри – це не тільки кваліфікований ремонт, але і широкий вибір запчастин та аксесуарів.
- 1.2. При купівлі виробу вимагайте перевірки його комплекtnості та справності за Вашої присутності, наявності інструкції та заповненого Гарантійного талону на українській мові. За умови відсутності у Вас правильно заповненого Гарантійного талону ми будемо вимушені відхилити Ваші претензії щодо якості цього виробу.
- 1.3. Щоб уникнути всіх непорозумінь наполегливо просимо Вас перед початком роботи з виробом уважно ознайомитись з інструкцією щодо його експлуатації.
- 1.4. Звертаємо Вашу увагу на виключно побутове призначення цього виробу.
2. Правовою основою даних гарантійних умов є діюче Законодавство та, зокрема, Закон "Про захист прав споживачів".
3. Гарантійний термін на даний виріб складає 24 місяці та починається з дня продажу через роздрібну торгову мережу. У випадку усунення недоліків виробу гарантійний термін подовжується на період, протягом якого виріб не використовувався.
4. Термін служби виробу - 5 років (мінімальний, встановлений у відповідності до Закону "Про захист прав споживачів").
5. Наші гарантійні зобов'язання поширюються тільки на несправності, виявлені протягом гарантійного терміну та обумовлені виробничими та конструктивними факторами.
6. Гарантійні зобов'язання не поширюються:
  - 6.1. На несправності виробу, що виникли в результаті:
    - 6.1.1. Недотримання користувачем вказівок інструкції з експлуатації виробу.
    - 6.1.2. Механічних пошкоджень, викликаних зовнішнім ударним або іншим впливом.
    - 6.1.3. Використання виробу в професійних цілях та об'ємах, в комерційних цілях.
    - 6.1.4. Застосування виробу не за призначенням.
    - 6.1.5. Стихійного лиха.

- 6.1.6. Несприятливому атмосферному та інших зовнішніх впливам на виріб, таких як дощ, сніг, підвищена вологість, нагрів, агресивні середовища, невідповідність параметрів електромережі параметрам, вказаним на інструменті.
- 6.1.7. Використання аксесуарів, витратних матеріалів та запчастин, які не рекомендовані або не схвалені виробником.
- 6.1.8. Проникнення всередину інструменту сторонніх предметів, комах, матеріалів або речовин, що не є відходами, які супроводжують використання інструменту за призначенням, наприклад, стружки, опилки та ін.
- 6.2. На інструменти, що були відкриті, піддані ремонту або модифікації поза уповноваженим сервісним центром.
- 6.3. На приналежності, запчастини, що вийшли з ладу внаслідок нормального зносу, та витратні матеріали, такі як, приводні ремені, вугільні щітки, ножі, та ін.
- 6.4. На несправності, які виникли в результаті перевантаження інструменту, що призвело до виходу з ладу електродвигуна або інших вузлів та деталей. До безумовних ознак перевантаження виробу належать, зокрема: поява кольорів мінливості, деформація або оплавлення деталей та вузлів виробу, потемніння або обвуглювання ізоляції дротів електродвигуна під впливом високої температури.



Блек енд Декер ГмБХ,  
Блек енд Декер Штрассе, 40,  
65510 Ідштайн, Німеччина.

**03 червня 1999 р.**



## Kullanım Amacı

Black & Decker darbeli matkabınız ahşap, metal ve plastik delme işlemleri, duvarcılık işleri ve ayrıca vida takma/sökme uygulamaları için tasarlanmıştır. Bu alet sadece hafif hizmet ve hobi kullanımına yöneliktir.

## Güvenlik talimatları

### Genel elektrikli alet güvenlik talimatları



**Uyarı! Bütün güvenlik uyarılarını ve talimatlarını mutlaka okuyun.** Aşağıda listelenen uyarı ve talimatlara uyulmaması elektrik şoku, yangın ve/veya ciddi boyutta yaralanmalara neden olabilir.

**Bütün uyarı ve güvenlik talimatlarını ileride bakmak üzere muhafaza edin.** Aşağıda yer alan uyarılardaki "elektrikli alet" terimi şebeke elektriğiyle (kablolu) veya akü/pille (şarjlı) çalışan elektrikli aletinizi ifade etmektedir.

#### 1. Çalışma alanının güvenliği

- Çalışma alanını temiz ve aydınlık tutun.** Karışık veya karanlık alanlar kazaya davetiye çıkarır.
- Elektrikli aletleri, yanıcı sıvılar, gazlar ve tozların bulunduğu yerler gibi yanıcı ortamlarda çalıştırmayın.** Elektrikli aletler, toz veya dumanları ateşleyebilecek kıvılcımlar çıkarır.
- Bir elektrikli aleti çalıştırırken çocuklardan ve etraftaki kişilerden uzak tutun.** Dikkatinizi dağıtıcı şeyler kontrolü kaybetmenize neden olabilir.

#### 2. Elektrik güvenliği

- Elektrikli aletlerin fişleri prizlere uygun olmalıdır. Fiş üzerinde kesinlikle hiçbir değişiklik yapmayın. Topraklı elektrikli aletlerde hiçbir adaptör fişi kullanmayın.** Değiştirilmemiş fişler ve uygun prizler elektrik çarpması riskini azaltacaktır.
- Borular, radyatörler, ocaklar ve buzdolapları gibi topraklanmamış yüzeylerle vücut temasından kaçının.** Vücudunuzun topraklanması halinde yüksek bir elektrik çarpması riski vardır.
- Elektrikli aletleri yağmura maruz bırakmayın veya ıslatmayın.** Elektrikli alete su girmesi elektrik çarpması riskini arttıracaktır.
- Elektrik kablosunu uygun olmayan amaçlarla kullanmayın. Elektrikli aleti**

**kesinlikle kablosundan tutarak taşımayın, çekmeyin veya prizden çıkartmayın. Kabloyu sıcartan, yağdan, keskin kenarlardan veya hareketli parçalardan uzak tutun.** Hasarlı veya dolaşmış kablolar elektrik çarpması riskini artırır.

- Elektrikli bir aleti açık havada kullanıyorsanız, açık havada kullanıma uygun bir uzatma kablosu kullanın.** Açık havada kullanıma uygun bir kablolu kullanılması elektrik çarpması riskini azaltır.
  - Eğer bir elektrikli aletin ıslak bir bölgede çalıştırılması zorunluysa, bir artık akım aygıtı (RCD) korumalı bir kaynak kullanın.** Bir RCD kullanılması elektrik şoku riskini azaltır.
- ### 3. Kişisel güvenlik
- Elektrikli bir aleti kullanırken her zaman dikkatli olun, yaptığınız işe konsantre olun ve sağduyulu davranın. Elektrikli bir aleti yorgunken veya ilaç ya da alkolün etkisi altındayken kullanmayın.** Elektrikli aletleri kullanırken bir anlık dikkatsizlik ciddi kişisel yaralanmaya sonuçlanabilir.
  - Kişisel koruyucu ekipmanları mutlaka kullanın. Daima koruyucu gözlük takın.** Koşullara uygun toz maskesi, kaymayan güvenlik ayakkabıları, baret veya kulaklık gibi koruyucu ekipmanların kullanılması kişisel yaralanmaları azaltacaktır.
  - İstem dışı çalıştırılmasını önleyin. Cihazı güç kaynağına ve/veya akü takımına bağlamadan, yerden kaldırmadan veya taşımadan önce düğmenin kapalı konumda olduğundan emin olun.** Aleti, parmağınız düğme üzerinde bulunacak şekilde taşımak veya açık konumdaki elektrikli aletleri elektrik şebekesine bağlamak kazaya davetiye çıkarır.
  - Elektrikli aleti açmadan önce tüm ayarlama anahtarlarını çıkartın.** Elektrikli aletin hareketli bir parçasına takılı kalmış bir anahtar kişisel yaralanmaya neden olabilir.
  - Ulaşmakta zorlandığınız yerlerde kullanmayın. Daima sağlam ve dengeli basın.** Bu, beklenmedik durumlarda elektrikli aletin daha iyi kontrol edilmesine olanak tanır.
  - Uygun şekilde giyinin. Bol elbiseler giymeyin ve takı takmayın. Saçınızı, elbiselerinizi ve eldivenlerinizi hareketli parçalardan uzak tutun.** Bol elbiseler ve takılar veya uzun saç hareketli parçalara takılabilir.

**g. Eğer toz ayırma ve toplama sistemlerinin bağlanması için aygıtlar sağlanmışsa bunların bağlı olduğundan ve doğru şekilde kullanıldığından emin olun.** Toz toplama ataşmanlarının kullanılması tozla ilgili tehlikeleri azaltabilir.

#### 4. Elektrikli aletlerin kullanımı ve bakımı

- a. Elektrikli aleti zorlamayın. Uygulamanız için doğru elektrikli aleti kullanın.** Doğru elektrikli alet, belirlendiği kapasite ayarında kullanılacaksa daha iyi ve güvenli çalışacaktır.
- b. Düşme çamıyör ve kapatıyorsa elektrikli aleti kullanmayın.** Düşmeyle kontrol edilemeyen tüm elektrikli aletler tehlikelidir ve tamir edilmesi gerekmektedir.
- c. Herhangi bir ayarlama, aksesuar değişimi veya elektrikli aletlerin saklanması öncesinde fişi güç kaynağından çekin ve/veya akü takımını elektrikli aletten ayırın.** Bu tür önleyici güvenlik tedbirleri elektrikli aletin istem dışı olarak çalıştırılması riskini azaltacaktır.
- d. Elektrikli aleti, çocukların ulaşamayacağı yerlerde saklayın ve elektrikli aleti tanımayan veya bu talimatları bilmeyen kişilerin elektrikli aleti kullanmasına izin vermeyin.** Elektrikli aletler, eğitimsiz kullanıcıların elinde tehlikelidir.
- e. Elektrikli aletleri iyi durumda muhafaza edin. Hareketli parçalardaki hizalama hatalarını ve tutuklukları, parçalardaki kırılmalar ve elektrikli aletin çalışmasını etkileyebilecek tüm diğer koşulları kontrol edin. Hasarlı ise, elektrikli aleti kullanmadan önce tamir ettirin.** Kazaların çoğu, elektrikli aletlerin bakımının yeterli şekilde yapılmamasından kaynaklanır.
- f. Kesim aletlerini keskin ve temiz tutun.** Bakımı uygun şekilde yapılmış keskin kesim uçlu kesim aletlerinin sıkışma ihtimali daha düşüktür ve kontrol edilmesi daha kolaydır.
- g. Elektrikli aleti, aksesuarlarını ve aletin diğer parçalarını kullanırken bu talimatlara mutlaka uyun ve çalışma ortamının koşullarını ve yapılacak işin ne olduğunu göz önünde bulundurun.** Elektrikli aletin öngörülen işlemler dışındaki işlemler için kullanılması tehlikeli durumlara neden olabilir.

#### 5. Servis

- a. Elektrikli aletinizi, sadece orijinal yedek parçaların kullanıldığı yetkili Black & Decker**

**servisine tamir ettirin.** Bu, elektrikli aletin güvenliğinin muhafaza edilmesini sağlayacaktır.

#### Elektrikli aletler için ek güvenlik talimatları



**Uyarı!** Matkap ve darbeli matkaplar için ek güvenlik talimatları

- **Darbeli matkapları kullanırken kulaklık takın.** Yüksek sese maruz kalmak işitme kaybına yol açabilir.
- **Aletle birlikte verilmiş olan yardımcı tutma kollarını kullanın.** Kontrol kaybı kişisel yaralanmalara neden olabilir.
- **Kesme aksesuarının gizli kabloları veya kendi kablosuna temas edebileceği yerlerde çalışma yaparken elektrikli aleti yalıtımlı kavrama yüzeylerinden tutun.** Kesme aksesuarının "akım taşıyan" bir kabloya temas etmesi durumunda metal kısımları da "akım taşıyıcı" hale gelecektir ve operatörün çarpılmasına yol açacaktır.
- **Üzerinde çalıştığınız parçayı sabitlemek ve desteklemek için kelepçeler veya başka pratik yöntemler kullanın.** Parçayı elle veya vücudunuza dayamanız dengesiz durmasına neden olacaktır ve aletin kontrolünü kaybetmenize yol açabilir.
- Duvar, zemin veya tavanları delmeden önce kablo ve boruların yerlerini kontrol edin.
- Delme işleminin hemen ardından matkap ucuna dokunmaktan kaçınınız; sıcak olabilir.
- Bu alet fiziksel ve zihinsel kapasitesinin yanı sıra algılama gücü azalmış olan veya yeterince deneyim ve bilgisi bulunmayan kişiler (çocuklar dahil) tarafından kullanılmak üzere üretilmemiştir. Bu tür kişiler aleti ancak güvenliklerinden sorumlu bir kişi tarafından cihazın kullanımıyla ilgili talimatların verilmesi veya sürekli kontrol altında tutulması durumunda kullanabilir. Çocuklar, aletle oynamalarının önlemek amacıyla kontrol altında tutulmalıdır.
- Kullanım amacı, kullanım kılavuzunda tanımlanmıştır. Herhangi bir aksesuarın veya bağlantının ya da işlemin, bu kılavuzda tavsiye edilen şekilden başka bir şekilde kullanılması şahısların yaralanmalarına ve/veya mal kaybına yol açabilir.

#### Titreşim

Teknik veriler ve uygunluk beyanati içerisinde belirtilen titreşim emisyon değerleri EN60745 tarafından belirlenen standart bir test yöntemine

uygun olarak ölçülmektedir ve diğer bir aletle karşılaştırma yaparken kullanılabilir. Beyan edilen titreşim emisyon değeri aynı zamanda maruz kalmanın önceden değerlendirilmesinde de kullanılabilir.

**Uyarı!** Elektrikli aletin mevcut kullanımı sırasındaki titreşim emisyon değeri, aletin kullanım yöntemine bağlı olarak, beyan edilen değere göre farklılık sergileyebilir. Titreşim düzeyi belirlenen seviyenin üzerinde artış gösterebilir.

İşyerinde düzenli olarak elektrikli alet kullanan çalışanları korumak amacıyla 2002/44/EC tarafından getirilen elektrik güvenliği önlemlerini belirlemek üzere titreşime maruz kalmayı değerlendirirken, çalışma döngüsü içerisinde örneğin aletin kapalı olduğu ve aktif durumda olmasının yanı sıra boşta çalıştığı zamanlar gibi, bütün zaman dilimleri dahil olmak üzere mevcut kullanım durumu ve aletin kullanım şekli göz önünde bulundurularak değerlendirilmelidir.

#### Alet üzerindeki etiketler

Alet üzerinde aşağıdaki resimler bulunmaktadır:



**Uyarı!** Yaralanma riskini en aza indirmek için kullanıcı kullanım talimatlarını mutlaka okumalıdır.

#### Elektrik güvenliği



Bu alet çift yalıtımlıdır; bu nedenle hiçbir toprak kablosuna gerek yoktur. Her zaman şebeke geriliminin aletin üretim etiketinde belirlenmiş değerlere uyup uymadığını kontrol edin.

- Elektrik kablosu hasarlı ise, bir tehlike oluşmasını önlemek için üretici ya da yetkili Black & Decker Servis Merkezi tarafından değiştirilmelidir.

#### ÖZELLİKLER

Bu alet, aşağıdaki özelliklerin bir kısmını veya tümünü içermektedir.

1. Değişken hız düğmesi
2. Kesintisiz çalıştırma düğmesi
3. İleri/geri anahtarı
4. Delme modu seçicisi
5. Yan kol
6. Anahtarlı mandren (CD60RE)
6. Anahtarsız mandren (CD60CRE/CD70CRE/CD70CKA/AST2XC)

#### Montaj

**Uyarı!** Montajdan önce aletin kapalı ve fişinin çekilmiş olduğundan emin olun.

#### Yan kolun takılması (Şekil A)

- Tutamağı (7), yan kol (5) resimde gösterildiği gibi aletin ön kısmının üzerine kaydırabilir duruma gelene kadar saat yönünün tersine çevirin.
- Yan kolu istediğiniz konuma çevirin.
- Tutamağı saat yönünde çevirerek yan kolu sıkın.

#### Bir matkap veya tornavida ucunun takılması (Şekil B)

- Bir elinizle arka kısmı (9) tutarken diğer elinizle ön kısmı (8) çevirerek mandreni açın.
- Uç milini (10) mandrene takın ve mandreni iyice sıkın.

#### Mandrenin çıkarılması ve yeniden takılması (Şekil C)

- Mandreni olabildiğince açın.
- Mandrenin önünde bulunan vidayı (11) bir tornavida yardımıyla saat yönünde çevirerek alın ve mandreni çıkarın.
- Mandrenin içine bir Allen anahtarı (12) sıkın ve gösterildiği gibi bir çekiçle anahtara vurun.
- Allen anahtarını çıkarın.
- Mandreni saatin tersi yönde çevirerek çıkarın.
- Mandreni yeniden takmak için milin üzerine vidalayın ve vidayı tutarak mandren ile mili sağlamlaştırın.

#### Kullanımı

**Uyarı!** Aletin kendi hızında çalışmasına izin verin. Aşırı yüklenmeyin.

**Uyarı!** Duvar, zemin veya tavanda delik açmadan önce kablo ve boruların konumunu kontrol edin.

#### Dönme yönünün seçilmesi (Şekil D)

- Delmek ve vidaları sıkılamak için, ileri/geri anahtarını (3) boş konuma getirin.
- Vidaları gevşetmek veya sıkışan bir matkap ucunu çıkarmak için, ileri/geri anahtarını (3) sola çevirin.

**Uyarı!** Dönme yönünü kesinlikle motor çalışır durumdayken değiştirmeyin.

#### Delme modunun seçilmesi

- Duvarı delmek için, delme modu seçicisini (4) ↑ konumuna getirin.
- Diğer materyalleri delmek ve vida takıp sökmek için delme modu seçicisini (4) ↓ konumuna getirin.

**Açılması ve kapatılması (Şekil E)**

- Aleti açmak için, değişken hız düğmesine (1) basın. Aletin hızı, düğmeye ne kadar bastığınıza bağlıdır. Genel kural olarak, büyük çaplı matkap uçları için düşük hız, küçük çaplı matkap uçları içinse yüksek hız seçin.
- Sürekli çalışması için kesintisiz çalışma düğmesine (2) basın ve değişken hız düğmesini bırakın. Bu seçenek sadece tam hızda kullanılabilir.
- Aleti kapatmak için, değişken hız düğmesini bırakın. Kesintisiz çalışma konumundayken aleti kapatmak için değişken hız düğmesine bir kez daha basın ve bırakın.

**Aksesuarlar**

Aletinizin performansı kullanılan aksesuarlara bağlıdır. Black & Decker ve Piranha aksesuarları, yüksek kalite standartlarına göre üretilmiş ve aletinizin performansını arttıracak şekilde tasarlanmıştır. Bu aksesuarları kullanarak, aletinizden en iyi verimi alacaksınız.

**Bakım**

Aletinizin minimum bakımla uzun bir süre çalışacak şekilde tasarlanmıştır. Kesintisiz olarak memnuniyet verici bir şekilde çalışması gerekli özenin gösterilmesine ve düzenli temizliğe bağlıdır.

**Uyarı!** Herhangi bir bakım işlemini

gerçekleştirmeden önce aleti kapatıp fişini çekin.

- Aletinizdeki havalandırma deliklerini yumuşak bir fırça veya kuru bir bezle düzenli olarak temizleyin.
- Motor muhafazasını nemli bir bezle düzenli olarak temizleyin. Aşındırıcı veya çözücü bazı temizlik maddeleri kullanmayın.

**Çevrenin korunması**

Ayrı olarak atın. Bu ürün, normal evsel atıklarla birlikte atılmamalıdır.

Black & Decker ürününüzün değiştirilmesi gerektiğini düşünmeniz veya artık kullanılamaz durumda olması halinde onu, evsel atıklarla birlikte atmayın. Bu ürünü, ayrı olarak toplanacak şekilde atın.



Kullanılmış ürünlerin ve ambalajların ayrı olarak toplanması bu maddelerin geri dönüşüme sokularak yeniden kullanılmasına olanak tanır. Geri dönüşümlü maddelerin tekrar kullanılması çevre kirliliğinin önlenmesine yardımcı olur ve ham madde ihtiyacını azaltır.

Yerel yönetmelikler, elektrikli ürünlerin evlerden toplanıp belediye atık tesislerine aktarılması veya yeni bir ürün satın alınırken perakende satıcı tarafından toplanması yönünde hükümler içerebilir.

Black & Decker, hizmet ömrünün sonuna ulaşan Black & Decker ürünlerinin toplanması ve geri dönüşüme sokulması için bir imkan sunmaktadır. Bu hizmetin avantajlarından faydalanmak için, lütfen, ürününüzü bizim adımıza teslim alacak herhangi bir yetkili servise iade edin.

Bu kılavuzda belirtilmiş olan listeden size en yakın yetkili Black & Decker tamir servisinin yerini öğrenebilirsiniz. Alternatif olarak, yetkili Black & Decker servislerinin listesi, satış sonrası hizmetlerimizle ilgili bilgiler ve temas bilgilerine İnternet üzerinden erişebilirsiniz:

[www.2helpU.com](http://www.2helpU.com)

**Teknik veriler**

		CD60CRE	CD60RE	CD70CRE
Giriş voltajı	V <sub>AC</sub>	230	230	230
Giriş gücü	W	600	600	710
Yüksüz hızı	dak <sup>-1</sup>	0-2 800	0-2 800	0-2 800
Maks. delme kapasitesi				
Çelik/beton	mm	13	13	13
Ahşap	mm	25	25	25
Ağırlık	kg	1,84	1,84	1,84

		CD70CKA	AST2XC
Giriş voltajı	V <sub>AC</sub>	230	230
Giriş gücü	W	710	710
Yüksüz hızı	dak <sup>-1</sup>	0-2 800	0-2 800
Maks. delme kapasitesi			
Çelik/beton	mm	13	13
Ahşap	mm	25	25
Ağırlık	kg	1,84	1,84

**AT uygunluk beyanati**

CD60CRE TYPE1/CD60RE TYPE1/CD70CRE  
TYPE1/CD70CKA TYPE1/AST2XC

Black & Decker, bu ürünlerin aşağıda belirtilen  
yönergelere uygun olduğunu teyit eder: 98/37/EC,  
EN 60745

EN 60745'e göre ses basıncı düzeyi:

Ses basıncı ( $L_{pA}$ ) 106 dB(A), belirsizlik (K) 3 dB(A),  
Akustik güç ( $L_{WA}$ ) 117 dB(A), belirsizlik (K) 3 dB(A)

EN 60745'e uygun olarak titreşim toplam değerleri  
(triaks vektör toplamı):

Beton üzerinde darbeli delme ( $a_{h, ID}$ ) 16,3 m/s<sup>2</sup>,  
belirsizlik (K) 2,2 m/s<sup>2</sup>, Metal delme ( $a_{h, D}$ ) 8,2 m/s<sup>2</sup>,  
belirsizlik (K) 1,5 m/s<sup>2</sup>

Aşağıda imzası bulunan, teknik dosyanın derlen-  
mesinden ve Black & Decker adına bu bildirim  
yapmaktan sorumludur.



Kevin Hewitt  
Tüketici İhtiyaçları  
Mühendisliği Müdürü  
Spennymoor, County Durham  
DL16 6JG, İngiltere  
1-10-2008

Garanti talebinde bulunmak için, satıcıya veya  
yetkili tamir servisine satın aldığınıza dair ispat  
sunmalısınız. Fatura ve garanti kartı gerekmektedir.  
Bu kullanım kılavuzunda belirtilen listeden size en  
yakın yetkili servis adresini öğrenebilirsiniz. Ya da,  
İnternet'ten Black & Decker yetkili tamir servislerinin  
listesini ve satış sonrası hizmet veren yetkililerin tam  
detaylarını öğrenebilirsiniz. Bu site:

[www.2helpU.com](http://www.2helpU.com)

Sanayi ve Ticaret Bakanlığı tebliğince kullanım  
ömrü 10 yıldır.

**Türkiye Distribütörü**

KALE HIRDAVAT VE MAKİNA A.Ş.  
Deftardar Mah.Savaklar Cad. No. 15  
34050 Edirnekapı Eyüp İstanbul

**Garanti**

Black & Decker, ürünün kalitesinden emindir ve bu  
yüzden kanunlarda belirtilen taleplerin üstünde bir  
garanti verir. Ayrıca bu garanti hiçbir şekilde garanti  
ile ilgili kanuni haklarınızı ihlal etmez ve haklarınızı  
hiç bir şekilde kısıtlamaz. Tüm AB ve Avrupa  
Serbest Ticaret Bölgesi EFTA'nın üye ülkelerinde  
geçerlidir.

Eğer bir Black & Decker ürünü, satın alma  
tarihinden itibaren 24 ay içinde hatalı malzeme  
ve işçilik nedeniyle bozulursa, müşteriye mümkün  
olabilecek en az sorunu yaşatarak Black & Decker  
hatalı kısımları değiştirmeyi, tamir etmeyi veya  
hasarlı aletleri değiştirmeyi kabul eder; ancak bu  
belirtilenler şu durumlar dışında geçerlidir:

- Ürün ticari veya profesyonel amaçlarla  
kullanılmışsa veya kiraya verilmişse;
- Ürün yanlış veya amaç dışı kullanılmışsa;
- Ürün yabancı nesnelere, maddelere veya  
kaza sırasında zarar görmüşse;
- Yetkili tamir servisleri veya Black & Decker  
servis ekibinden başkası tarafından tamir  
edilmeye çalışılmışsa.

No.	İl	Servis Adı	Adres	Telefon
1	Adana	<b>Emin Elektrik</b>	Kızılay Cad. 6. Sok. No. 9/D	0322 351 80 46
2	Adana	<b>Pay Elektrik</b>	Kızılay Cad. M. Görgün Pasajı No. 30	0322 351 12 95
3	Afyon	<b>Emekliş Bobinaj</b>	Menderes Cad. No. 2 Dumlupınar Mah. Karahisar	0272 212 11 32
4	Amasya	<b>Teknik Bobinaj</b>	Beyazıt Paşa Mah. Mehmet Vorinli Cad. No. 20/B	0358 218 26 82
5	Ankara	<b>Orhan Bobinaj</b>	Yalınç Sok. No. 17 Siteler	0312 350 95 29
6	Ankara	<b>Yığıt Bobinaj</b>	668. Sok. Eminel Yapı Koop. No. 8 İvedik Ostim	0312 395 05 37
7	Antalya	<b>E.B.A. Elektrik</b>	Sanayi Sitesi 682. Sok. No. 38	0242 345 36 22
8	Antalya / Alanya	<b>Abaloğlu Bobinaj</b>	Sanayi Sitesi Yeni Yol Girişi No. 8	0242 512 02 16
9	Aydın	<b>Taciroğlu Bobinaj</b>	2. Sanayi Sitesi 3. Sok. No. 55	0256 219 43 30
10	Aydın / Kuşadası	<b>Özgür Bobinaj</b>	Kuşadası San. Sitesi J Blok No. 13	0256 622 13 73
11	Balıkesir	<b>Tezger Bobinaj</b>	Küçük San. Bölgesi Dökmeciler Sok. No. 15	0266 241 63 85
12	Balıkesir / Bandırma	<b>Küre Bobinaj</b>	Atatürk Cad. No. 104 Bandırma	0266 718 46 79
13	Bursa	<b>Vokart Ltd.</b>	Gazlılar Cad. Erikli Bahçe Sok.6/B	0224 254 48 75
14	Çanakkale	<b>Kısacık Bobinaj</b>	Namık Kemal Mah. Kaynak Sok. No. 41	0286 217 96 71
15	Çorum	<b>Emek Bobinaj</b>	Küçük Sanayi Sitesi 23. Cad. No. 5/C Cami yanı	0364 234 68 84
16	Denizli	<b>Örsler Bobinaj</b>	Bakırlı Mah. 171. Sok. Sedef Çarşısı No. 9/10	0258 261 42 74
17	Diyarbakır	<b>Çetsan Elek. Ltd.</b>	İnönü Cad. Ziya Gökalp Sok. No. 45	0412 237 29 04
18	Edirne	<b>Efe Bobinaj</b>	Sanayi Sitesi 22. Blok No. 5	0284 225 35 73
19	Erzincan	<b>Ümit Elektrik Makine</b>	Sanayi Çarşısı 767. Sok.	0446 224 08 01
20	Eskişehir	<b>Meriç Bobinaj Ltd</b>	Akçağlan Mah. Meriç Sok. No. 4/A	0222 230 94 44
21	Gaziantep	<b>Karaşahin Bobinaj</b>	Şenyurt Cad. No. 35 Şahinbey	0342 231 17 33
22	İçel / Mersin	<b>Şekerler El. Bob.</b>	Nusratiye Mah. 5005. Sok. No. 20/A	0324 336 70 98
23	İçel / Mersin	<b>Üniversal Bobinaj</b>	Nusratiye Mah. Çiftçiler Cad. 68. Sok. No. 19	0324 233 44 29
24	İstanbul / Asya	<b>AKEL El. Servis Hiz.</b>	Yukarı Dudullu Nato Yolu Cad. No. 109B Ümraniye	0216 540 53 54
25	İstanbul / Avrupa	<b>Birlik Elektromekanik</b>	Perpa B Blok Mavi Avlu Kat 4 No. 318 Okmeydanı	0212 222 94 18
26	İstanbul / Avrupa	<b>Fırat Dış Ticaret</b>	Tersane Cad. Kut Han No. 38 K. 3 D. 307-308 Karaköy	0212 252 93 43
27	İstanbul / Avrupa	<b>Kardeşler Bob. Ltd.</b>	Çağlayan Mah. Sinanpaşa Cad. No. 5 Çağlayan	0212 224 97 54
28	İstanbul / Avrupa	<b>Mert Elektrik Ltd.</b>	İkitelli Org. Sanayi Demirciler Sitesi D2 Blok No. 280	0212 549 65 78
29	İstanbul / Avrupa	<b>Orjinal El. Güneşli</b>	Bağlar Mah. Mimar Sinan Cad. Güllü Sok. No. 3 Güneşli	0212 515 67 71
30	İstanbul / Asya	<b>Tarık Bobinaj</b>	Bağdat Cad. Adalı Sok. No. 101/10 Maltepe	0216 370 21 11
31	İstanbul / Avrupa	<b>Tekniker Bobinaj</b>	Birlik San. Sit. 7. Cad. No. 2 Beylikdüzü	0212 875 19 31
32	İzmir	<b>Birlik Bobinaj</b>	1203/4. Sok. No. 7N Gıda Çarşısı Yenisehir	0232 458 39 42
33	İzmir	<b>Boro Civata</b>	1203/2. Sok. B21 Yenisehir	0232 469 80 70
34	İzmir	<b>Doruk Hırdavat</b>	1426. Sok. Hurdacılar Sitesi Doğanlar Bornova	0232 478 14 12
35	Kayseri	<b>Akın Elektrik</b>	Eski Sanayi Bölgesi 5. Cad. No. 8	0352 336 41 23
36	Kocaeli / Gebze	<b>Gülsöy Elektrik</b>	Menzilhane Cad. 1111. Sok. No. 7	0262 646 92 49
37	Kocaeli / İzmit	<b>Efe Elektrik Bobinaj</b>	Körfez Küçük San. Sit. 12. Blok No. 13	0262 335 18 94
38	Konya	<b>Murat Bobinaj</b>	Karatay San. Çiçekli Sok. No. 83	0332 235 64 63
39	Kütahya	<b>Doğan Bobinaj</b>	Yeni Sanayi Sitesi 19. Sok. No. 28/1	0274 231 22 00
40	Malatya	<b>Özer Bobinaj</b>	Yeni Sanayi Sitesi 2. Cad. No. 95	0422 336 39 53
41	Muğla / Bodrum	<b>Ak-Soy Bobinaj</b>	Türkuyusu Mah. Etem Demiröz Sok. San. Sit. No.12	0252 316 65 29
42	Muğla / Fethiye	<b>Arslan Bobinaj</b>	Yeni Sanayi Sitesi 259. Sok. No. 11	0252 612 12 79
43	Muğla / Marmaris	<b>Başaran Teknik</b>	Beldibi Cad. No. 5/C	0252 412 85 11
44	Nevşehir	<b>Çiftgüç Elektrik</b>	Yeni Sanayi Sitesi 8. Blok No. 53	0384 213 19 96
45	Sakarya / Adapazarı	<b>Engin El. Bobinaj</b>	Papuççular Mah. Papuççular Cad. No. 40	0264 273 87 69
46	Samsun	<b>Akış Bobinaj</b>	Sanayi Sit. Ulus Cad. No. 31 B	0362 238 07 23
47	Sivas	<b>Bayraktar Elektrik</b>	Yeni Çarşı No. 72 C	0346 221 47 55
48	Tekirdağ / Çorlu	<b>Ümit Elektrik</b>	Camiatik Mah. Ereğli Sok. No. 1	0282 653 27 77
49	Tokat	<b>Çetin Elektrik</b>	San. Sitesi Cami Altı No. 22 Tokat	0356 214 63 07
50	Trabzon	<b>Makina Market</b>	Rize Cad. No. 71 Değirmendere	0462 328 14 80
51	Urfa	<b>Ay Elektrik</b>	Samsat Kapı Avcıoğlu Gar. 19/D	0414 215 74 76
52	Uşak	<b>Zengin Bobinaj</b>	İslicce Mah. Ürem Sok. No. 10/C	0276 227 27 46
53	Zonguldak / KDZ Ereğli	<b>Tümen Bobinaj</b>	Kışla San. Sit. D Blok No. 17	0372 323 74 97



