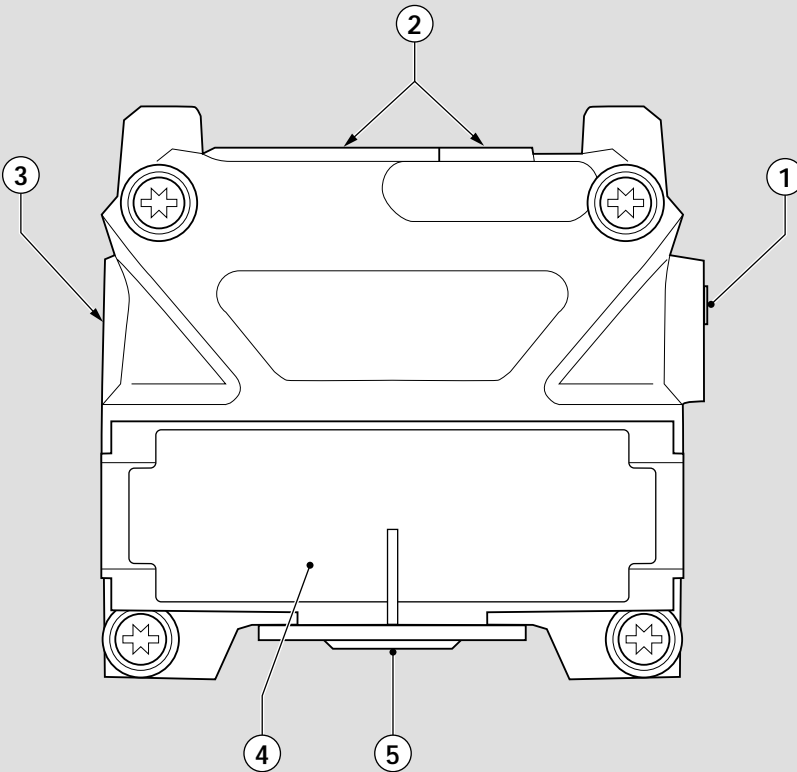




BLACK & DECKER®

www.blackanddecker.com

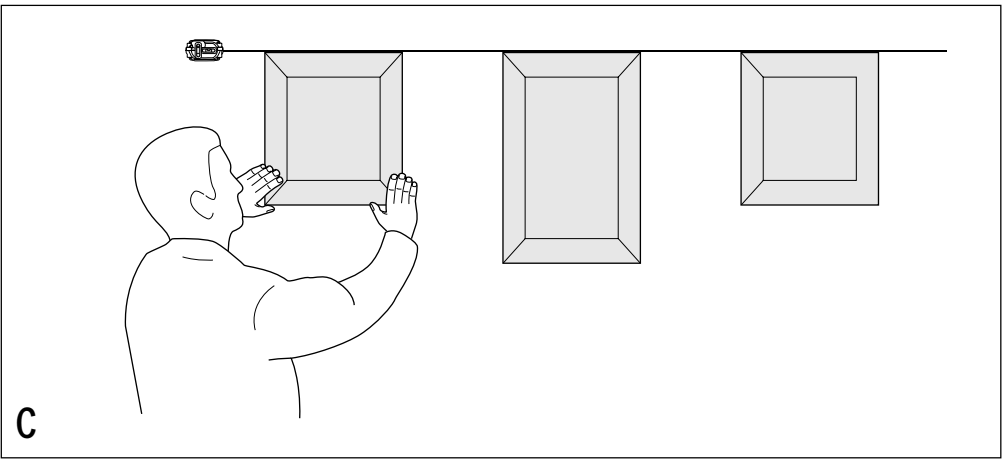
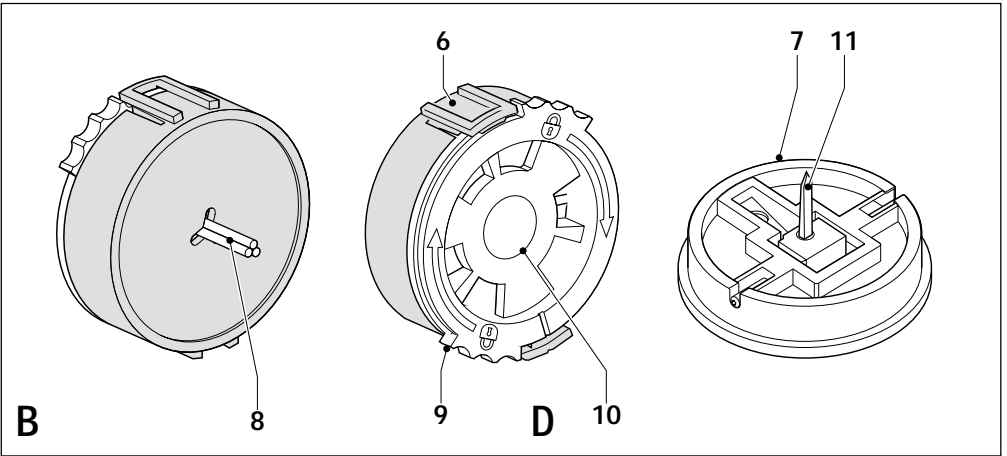
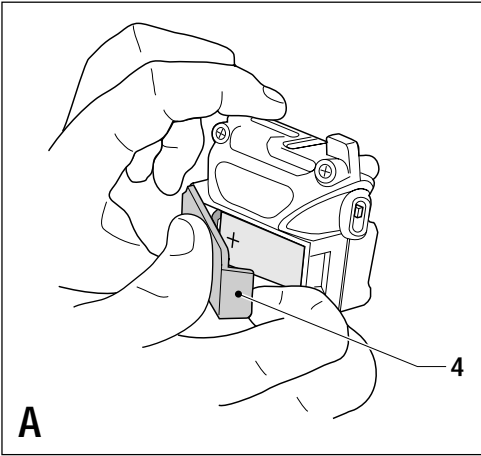


UK

Ireland

Australia

New Zealand



Intended use

This Black & Decker tool has been designed to project laser lines to aid in DIY applications. This tool is intended for consumer use only.

Safety instructions

- ◆ **Warning!** When using battery-powered tools, basic safety precautions, including the following, should always be followed to reduce the risk of fire, leaking batteries, personal injury and material damage.
- ◆ Read all of this manual carefully before operating the tool.
- ◆ Retain this manual for future reference.

Keep work area clean

Cluttered areas and benches can cause accidents.

Consider work area environment

Do not expose the tool to rain. Do not use the tool in damp or wet conditions. Keep the work area well lit. Do not use the tool where there is a risk of causing fire or explosion, e.g. in the presence of flammable liquids and gases.

Keep children away

Do not allow children, visitors or animals to come near the work area or to touch the tool.

Do not overreach

Keep proper footing and balance at all times.

Stay alert

Watch what you are doing. Use common sense.

Do not operate the tool when you are tired.

Use appropriate tool

The intended use is described in this instruction manual.

Warning! The use of any accessory or attachment or performance of any operation with this tool other than those recommended in this instruction manual may present a risk of personal injury.

Check for damaged parts

Before use, carefully check the tool for damage. Ensure that the tool will operate properly and perform its intended function. Do not use the tool if any part is damaged or defective.

Store idle tools

When not in use, tools and batteries should be stored in a dry, locked up or high place, out of reach of children.

Repairs

This tool complies with relevant safety requirements.

Repairs should only be carried out by qualified persons using original spare parts; otherwise this may result in considerable danger to the user.

Additional safety instructions for non-rechargeable batteries

- ◆ Never attempt to open for any reason.
- ◆ Do not store in locations where the temperature may exceed 40 °C.

- ◆ When disposing of batteries, follow the instructions given in the section "Protecting the environment". Do not incinerate the batteries.
- ◆ Under extreme conditions, battery leakage may occur. When you notice liquid on the batteries, proceed as follows:
 - Carefully wipe the liquid off using a cloth. Avoid skin contact.

Additional safety instructions for lasers



Warning! Laser radiation.



Do not look into the laser beam.



Do not view the laser beam directly with optical instruments.



Refer to the laser product characteristics.

- ◆ This laser complies with class 2M according to EN 60825-1:1993+A2:2001. Do not replace a laser diode with a different type. If damaged, have the laser repaired by an authorised repair agent.
- ◆ Do not use the laser for any purpose other than projecting laser lines.
- ◆ An exposure of the eye to the beam of a class 2M laser is considered safe for a maximum of 0.25 seconds. Eyelid reflexes will normally provide adequate protection. At distances over 1 m, the laser complies with class 1 and thus is considered completely safe.
- ◆ Never look into the laser beam directly and intentionally.
- ◆ Do not use optical tools to view the laser beam.
- ◆ Do not set up the tool at a position where the laser beam can cross any person at head height.
- ◆ Do not let children come near the laser.

Features

1. On/off switch
2. Levels
3. Laser aperture
4. Battery cover
5. Mounting magnet

Assembly

Warning! Make sure that the tool is switched off.

Fitting the battery (fig. A)

- ◆ Remove the battery cover (4) from the tool.
- ◆ Connect the battery to the connector. The larger battery terminal connects to the smaller connector terminal.

- ◆ Refit the cover and let it click into place.

Wall mounting (fig. B)

The unit can be mounted to walls using one of the wall mounts (6 or 7).

Warning! Keep the wall mounts in a safe place when not in use.

Wall plug

The wall plug (6) has expandable legs to ensure a secure grip in most wall constructions.

- ◆ Drill a hole at a suitable location using a drill bit of 4-8 mm diameter.
- ◆ Insert the wall mount with the legs (8) closed into the pre-drilled hole.
- ◆ While keeping the plug in place, rotate the collar (9) clockwise until the legs of the wall mount engage in the hole.
- ◆ Install the unit by clinging the magnet (5) to the steel knob (10).

Wall pin

If the unit is mounted to drywall or other soft materials, the wall pin (7) must be used:

- ◆ Fold out the spade pin (11).
- ◆ Hold the wall mount in front of a suitable location and press the pin straight into the wall.
- ◆ Install the unit as described above.

Use (fig. C)

- ◆ Place the tool flat against the wall as shown.
- ◆ Push the on/off switch (1) down to switch the tool on.
- ◆ Move the tool as necessary to position the laser line.
- ◆ If necessary, hang the unit on the wall using the appropriate wall mount.

Protecting the environment



Should you find one day that your tool needs replacement, or if it is of no further use to you, think of the protection of the environment. Black & Decker repair agents will accept old Black & Decker tools and ensure that they are disposed of in an environmentally safe way.

Battery



If you want to dispose of the tool yourself, the battery must be removed as described above and disposed of in accordance with local regulations.

Place the battery in a suitable packaging to ensure that the terminals cannot be short-circuited.

Take the batteries to a local recycling station.

Technical data

	LZR3
Voltage	V 9
Battery size	6LR61
Laser class	2M
Operating temperature	°C 0 - 40
Weight (without battery)	kg 0.08

EC declaration of conformity

Black & Decker declares that these products conform to:
EN 61010-1, EN 60825-1, EN 61000-6-3, EN 61000-6-1

Peter Holmes, Director of Engineering
BDCI, 4/F, 2 Dai Wang Street
Tai Po Industrial Estate
Tai Po NT, Hong Kong

Guarantee

Black & Decker is confident of the quality of its products and offers an outstanding guarantee. This guarantee statement is in addition to and in no way prejudices your statutory rights. The guarantee is valid within the territories of the Member States of the European Union and the European Free Trade Area.

If a Black & Decker product becomes defective due to faulty materials, workmanship or lack of conformity, within 24 months from the date of purchase, Black & Decker guarantees to replace defective parts, repair products subjected to fair wear and tear or replace such products to ensure minimum inconvenience to the customer unless:

- ◆ The product has been used for trade, professional or hire purposes;
- ◆ The product has been subjected to misuse or neglect;
- ◆ The product has sustained damage through foreign objects, substances or accidents;
- ◆ Repairs have been attempted by persons other than authorised repair agents or Black & Decker service staff.

To claim on the guarantee, you will need to submit proof of purchase to the seller or an authorised repair agent. You can check the location of your nearest authorised repair agent by contacting your local Black & Decker office at the address indicated in this manual. Alternatively, a list of authorised Black & Decker repair agents and full details of our after-sales service and contacts are available on the Internet at:

www.2helpU.com.

Please register at our website www.blackanddecker.com to be kept up to date on new products and special offers. Further information on the Black & Decker brand and our range of products is available at www.blackanddecker.com.

Australia

DeWALT Industrial Power Tool Company
7 Clarice Road
Box Hill, Victoria 3128

Tel. 03 9895 9200
Fax 03 9899 7465

New Zealand

Black & Decker
81 Hugo Johnston Drive
Penrose, Auckland, New Zealand

Tel. 09 579 7600
Fax 09 579 8200

United Kingdom

Black & Decker
210 Bath Road
Slough, Berkshire SL1 3YD

Tel. 01753 511234
Fax 01753 551155
Helpline 01753 574277

