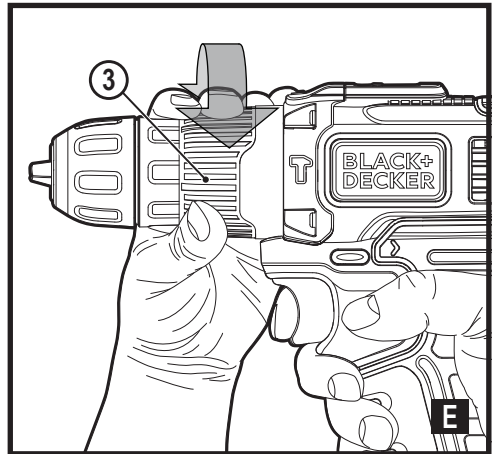
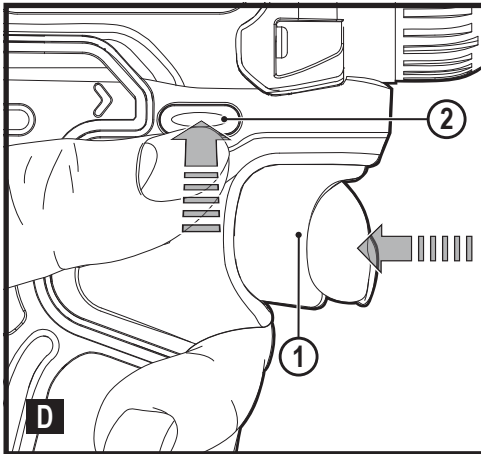
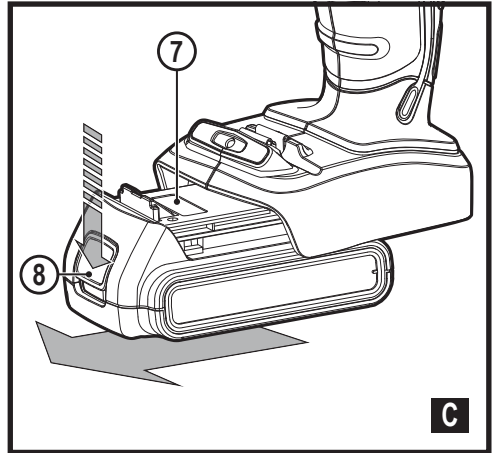
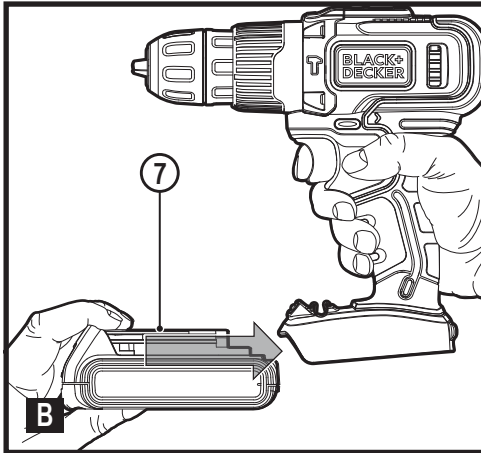
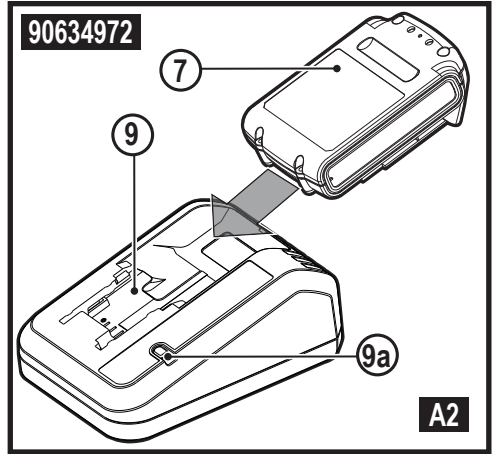
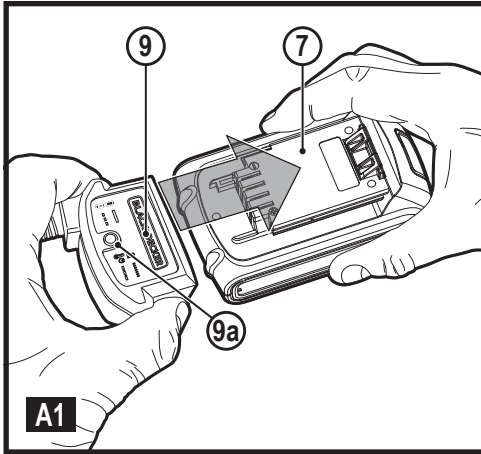
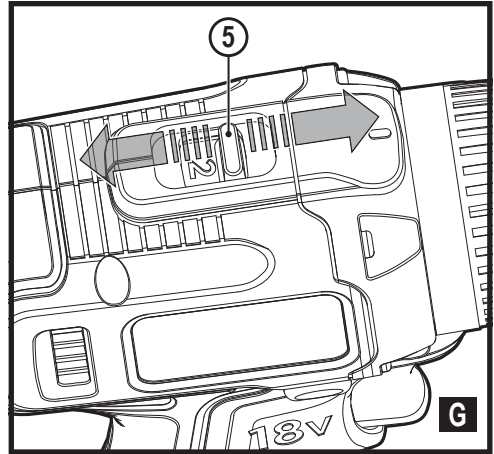
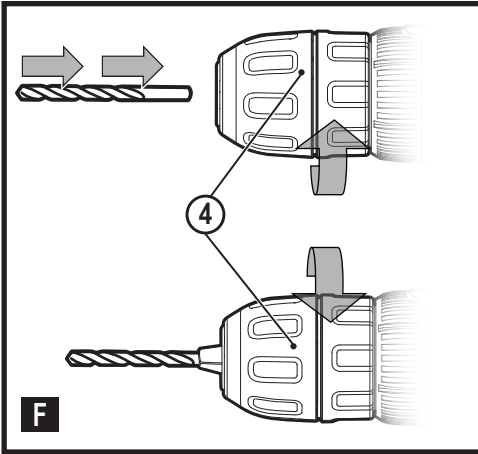


[www.blackanddecker.eu](http://www.blackanddecker.eu)

**BCD003**





## Intended use

Your BLACK+DECKER BCD003 - Impact drill, has been designed for screwdriving applications and for drilling in wood, metal and masonry. This tool is intended for consumer use only.

## Safety instructions

### General power tool safety warnings



**Warning! Read all safety warnings and all instructions.** Failure to follow the warnings and instructions listed below may result in electric shock, fire and/or serious injury.

### Save all warnings and instructions for future reference.

The term "power tool" in all of the warnings listed below refers to your mains operated (corded) power tool or battery operated (cordless) power tool.

1. **Work area safety**
  - a. **Keep work area clean and well lit.** Cluttered or dark areas invite accidents.
  - b. **Do not operate power tools in explosive atmospheres, such as in the presence of flammable liquids, gases or dust.** Power tools create sparks which may ignite the dust or fumes.
  - c. **Keep children and bystanders away while operating a power tool.** Distractions can cause you to lose control.
2. **Electrical safety**
  - a. **Power tool plugs must match the outlet. Never modify the plug in any way. Do not use any adapter plugs with earthed (grounded) power tools.** Unmodified plugs and matching outlets will reduce risk of electric shock.
- b. **Avoid body contact with earthed or grounded surfaces such as pipes, radiators, ranges and refrigerators.** There is an increased risk of electric shock if your body is earthed or grounded.
- c. **Do not expose power tools to rain or wet conditions.** Water entering a power tool will increase the risk of electric shock.
- d. **Do not abuse the cord. Never use the cord for carrying, pulling or unplugging the power tool. Keep cord away from heat, oil, sharp edges or moving parts.** Damaged or entangled cords increase the risk of electric shock.
- e. **When operating a power tool outdoors, use an extension cord suitable for outdoor use.** Use of a cord suitable for outdoor use reduces the risk of electric shock.
- f. **If operating a power tool in a damp location is unavoidable, use a residual current device (RCD) protected supply.** Use of an RCD reduces the risk of electric shock.
3. **Personal safety**
  - a. **Stay alert, watch what you are doing and use common sense when operating a power tool. Do not use a power tool while you are tired or under the influence of drugs, alcohol or medication.** A moment of inattention while operating power tools may result in serious personal injury.
  - b. **Use personal protective equipment. Always wear eye protection.** Protective equipment such as dust mask, non-skid safety shoes, hard hat, or hearing protection used for appropriate conditions will reduce personal injuries.

- c. **Prevent unintentional starting.** Ensure the switch is in the off-position before connecting to power source and/or battery pack, picking up or carrying the tool. Carrying power tools with your finger on the switch or energising power tools that have the switch on invites accidents.
  - d. **Remove any adjusting key or wrench before turning the power tool on.** A wrench or a key left attached to a rotating part of the power tool may result in personal injury.
  - e. **Do not overreach. Keep proper footing and balance at all times.** This enables better control of the power tool in unexpected situations.
  - f. **Dress properly. Do not wear loose clothing or jewellery. Keep your hair, clothing and gloves away from moving parts.** Loose clothes, jewellery or long hair can be caught in moving parts.
  - g. **If devices are provided for the connection of dust extraction and collection facilities, ensure these are connected and properly used.** Use of dust collection can reduce dust-related hazards.
4. **Power tool use and care**
    - a. **Do not force the power tool. Use the correct power tool for your application.** The correct power tool will do the job better and safer at the rate for which it was designed.
    - b. **Do not use the power tool if the switch does not turn it on and off.** Any power tool that cannot be controlled with the switch is dangerous and must be repaired.
    - c. **Disconnect the plug from the power source and/or the battery pack from the power tool before making any adjustments, changing accessories, or storing power tools.** Such preventive safety measures reduce the risk of starting the power tool accidentally.
    - d. **Store idle power tools out of the reach of children and do not allow persons unfamiliar with the power tool or these instructions to operate the power tool.** Power tools are dangerous in the hands of untrained users.
    - e. **Maintain power tools. Check for misalignment or binding of moving parts, breakage of parts and any other condition that may affect the power tools operation. If damaged, have the power tool repaired before use.** Many accidents are caused by poorly maintained power tools.
    - f. **Keep cutting tools sharp and clean.** Properly maintained cutting tools with sharp cutting edges are less likely to bind and are easier to control.
    - g. **Use the power tool, accessories and tool bits etc. in accordance with these instructions, taking into account the working conditions and the work to be performed.** Use of the power tool for operations different from those intended could result in a hazardous situation.
  5. **Battery tool use and care**
    - a. **Recharge only with the charger specified by the manufacturer.** A charger that is suitable for one type of battery pack may create a risk of fire when used with another battery pack.
    - b. **Use power tools only with specifically designated battery packs.** Use of any other battery packs may create a risk of injury and fire.
    - c. **When battery pack is not in use, keep it away from other metal objects, like paper clips, coins, keys, nails, screws, or other small metal objects, that can make a connection from one terminal to another.** Shorting the battery terminals together may cause burns or a fire.
    - d. **Under abusive conditions, liquid may be ejected from the battery; avoid contact. If contact accidentally occurs, flush with water. If liquid contacts eyes, additionally seek medical help.** Liquid ejected from the battery may cause irritation or burns.
  6. **Service**
    - a. **Have your power tool serviced by a qualified repair person using only identical replacement parts.** This will ensure that the safety of the power tool is maintained.

### Additional power tool safety warnings



**Warning!** Additional safety warnings for drills

- ◆ **Use auxiliary handles supplied with the tool.** Loss of control can cause personal injury.
- ◆ **Hold power tool by insulated gripping surfaces when performing an operation where the cutting accessory may contact hidden wiring.** Cutting accessory contacting a "live" wire may make exposed metal parts of the power tool "live" and could give the operator an electric shock.
- ◆ **Hold power tool by insulated gripping surfaces, when performing an operation where the fastener may contact hidden wiring.** Fasteners contacting a "live" wire may make exposed metal parts of the power tool "live" and could give the operator an electric shock.
- ◆ **Use clamps or another practical way to secure and support the workpiece to a stable platform.** Holding the work by hand or against your body leaves it unstable and may lead to loss of control.
- ◆ **Before drilling into walls, floors or ceilings, check for the location of wiring and pipes.**
- ◆ **Avoid touching the tip of a drill bit just after drilling, as it may be hot.**
- ◆ **The intended use is described in this instruction manual.**

The use of any accessory or attachment or performance of any operation with this tool other than those recommended in this instruction manual may present a risk of personal injury and/or damage to property.

### Safety of others

- ◆ This tool is not intended for use by persons (including children) with reduced physical, sensory or mental capabilities, or lack of experience and knowledge, unless they have been given supervision or instruction concerning use of the tool by a person responsible for their safety.
- ◆ Children should be supervised to ensure that they do not play with the appliance.

### Residual risks

Additional residual risks may arise when using the tool which may not be included in the enclosed safety warnings. These risks can arise from misuse, prolonged use etc.

Even with the application of the relevant safety regulations and the implementation of safety devices, certain residual risks can not be avoided. These include:

- ◆ Injuries caused by touching any rotating/moving parts.
- ◆ Injuries caused when changing any parts, blades or accessories.
- ◆ Injuries caused by prolonged use of a tool. When using any tool for prolonged periods ensure you take regular breaks.
- ◆ Impairment of hearing.
- ◆ Health hazards caused by breathing dust developed when using your tool (example:- working with wood, especially oak, beech and MDF.)

### Vibration

The declared vibration emission values stated in the technical data and the declaration of conformity have been measured in accordance with a standard test method provided by EN 60745 and may be used for comparing one tool with another. The declared vibration emission value may also be used in a preliminary assessment of exposure.

**Warning!** The vibration emission value during actual use of the power tool can differ from the declared value depending on the ways in which the tool is used. The vibration level may increase above the level stated.

When assessing vibration exposure to determine safety measures required by 2002/44/EC to protect persons regularly using power tools in employment, an estimation of vibration exposure should consider, the actual conditions of use and the way the tool is used, including taking account of all parts of the operating cycle such as the times when the tool is switched off and when it is running idle in addition to the trigger time.

### Labels on tool

The following symbols are shown on the tool along with the date code:



**Warning!** To reduce the risk of injury, the user must read the instruction manual.



Wear ear protectors with impact drills. Exposure to noise can cause hearing loss.

### Additional safety instructions for batteries and chargers

#### Batteries

- ◆ Never attempt to open for any reason.
- ◆ Do not expose the battery to water.
- ◆ Do not store in locations where the temperature may exceed 40 °C.
- ◆ Charge only at ambient temperatures between 10 °C and 40 °C.
- ◆ Charge only using the charger provided with the tool.
- ◆ When disposing of batteries, follow the instructions given in the section "Protecting the environment".



Do not attempt to charge damaged batteries.

#### Chargers

- ◆ Use your BLACK+DECKER charger only to charge the battery supplied with the tool. Other batteries could burst, causing personal injury and damage.
- ◆ Never attempt to charge non-rechargeable batteries.
- ◆ Have defective cords replaced immediately.
- ◆ Do not expose the charger to water.
- ◆ Do not open the charger.
- ◆ Do not probe the charger.



The charger is intended for indoor use only.



Read the instruction manual before use.

#### Electrical safety



Your charger is double insulated; therefore no earth wire is required. Always check that the mains voltage corresponds to the voltage on the rating plate. Never attempt to replace the charger unit with a regular mains plug.

- ◆ If the supply cord is damaged, it must be replaced by the manufacturer or an authorised BLACK+DECKER Service Centre in order to avoid a hazard.

## Features

This tool includes some or all of the following features.

1. Variable speed switch
2. Forward/reverse slider
3. Torque adjustment collar
4. Keyless chuck
5. Dual range gearing
6. LED work light
7. Battery
8. Battery release button

## Assembly

### Use

**Warning!** Let the tool work at its own pace. Do not overload.

### Charging the battery (fig. A1, A2)

The battery needs to be charged before first use and whenever it fails to produce sufficient power on jobs that were easily done before. The battery may become warm while charging; this is normal and does not indicate a problem.

**Warning!** Do not charge the battery at ambient temperatures below 10 °C or above 40 °C. Recommended charging temperature: approx. 24 °C.

**Note: The charger will not charge a battery if the cell temperature is below approximately 10 °C or above 40 °C. The battery should be left in the charger and the charger will begin to charge automatically when the cell temperature warms up or cools down.**

- ◆ Plug the charger (9) into any standard 230 Volts 50 Hz electrical outlet.
- ◆ Slide the battery pack (7) into the charger as shown in fig. A1, A2.



The LED (9a) will flash indicating that the battery is being charged.



The completion of charge is indicated by the LED (9a) remaining on continuously. The pack is fully charged and may be used at this time or left on the charger.

**Warning!** fire Hazard. When removing the battery from the charger, be sure to unplug the charger from the outlet first, then remove the battery from the charger.

### Charger diagnostics

This charger is designed to detect certain problems that can arise with the battery packs or the power source. Problems are indicated by one LED flashing in different patterns.

### Bad battery



The charger can detect a weak or damaged battery. The LED flashes in the pattern indicated on the label. If you see this bad battery blink pattern, do not continue to charge the battery. Return it to a service center or a collection site for recycling.

### Hot/cold pack delay



When the charger detects a battery that is excessively hot or excessively cold, it automatically starts a Hot/Cold Pack Delay, suspending charging until the battery has normalized. After this happens, the charger automatically switches to the Pack Charging mode. This feature ensures maximum battery life. The light flashes in the pattern indicated on the label.

### Leaving the battery in the charger

The charger and battery pack can be left connected with the LED glowing indefinitely. The charger will keep the battery pack fresh and fully charged. This charger features an automatic tune-up mode which equals or balances the individual cells in the battery pack to allow it to function at peak capacity. Battery packs should be tuned up weekly or whenever the battery no longer delivers the same amount of work. To use the automatic tune-up mode, place the battery pack in the charger and leave it for at least 8 hours.

### Important charging notes

- ◆ Longest life and best performance can be obtained if the battery pack is charged when the air temperature is between 18 ° – 24 °C. DO NOT charge the battery pack in an air temperature below +4.5 °C, or above +40 °C. This is important and will prevent serious damage to the battery pack.
- ◆ The charger and battery pack may become warm to the touch while charging. This is a normal condition, and does not indicate a problem. To facilitate the cooling of the battery pack after use, avoid placing the charger or battery pack in a warm environment such as in a metal shed or an uninsulated trailer.
- ◆ If the battery pack does not charge properly:
  - ◆ Check operation of receptacle by plugging in a lamp or other appliance;
  - ◆ Check to see if receptacle is connected to a light switch which turns power off when you turn out the lights;
  - ◆ Move the charger and battery pack to a location where the surrounding air temperature is approximately 18 ° – 24 °C;
  - ◆ If charging problems persist, take the tool, battery pack and charger to your local service center.

- ◆ The battery pack should be recharged when it fails to produce sufficient power on jobs which were easily done previously. DO NOT CONTINUE to use under these conditions. Follow the charging procedure. You may also charge a partially used pack whenever you desire with no adverse effect on the battery pack.
- ◆ Foreign materials of a conductive nature such as, but not limited to, grinding dust, metal chips, steel wool, aluminum foil, or any buildup of metallic particles should be kept away from charger cavities. Unplug the charger before attempting to clean.
- ◆ Do not freeze or immerse the charger in water or any other liquid.

### Installing and removing the battery pack from the tool (fig. B)

**Warning!** Make certain the lock-off button (2) is engaged to prevent switch actuation before removing or installing battery. To install battery pack:

- ◆ Insert battery pack (7) into tool, until an audible click is heard (fig. B)

### Removing the battery pack from the tool (fig. C)

- ◆ Depress the battery release button (8) as shown in (fig. C) and pull battery pack out of tool.

## Operating Instructions

### Trigger switch & reversing button (fig. D)

- ◆ The drill is turned ON and OFF by pulling and releasing the trigger switch (1). The farther the trigger is depressed, the higher the speed of the drill.
- ◆ A forward/reverse control button (2) determines the direction of the tool and also serves as a lock off button.
- ◆ To select forward rotation, release the trigger switch and depress the forward/reverse control button to the left.
- ◆ To select reverse, depress the forward/reverse control button the opposite direction.

**Note:** The center position of the control button locks the tool in the off position. When changing the position of the control button, be sure the trigger is released.

### Torque control (fig.E)

This tool is fitted with a torque adjustment collar (3) to select the operating mode and to set the torque for tightening screws. Large screws and hard workpiece materials require a higher torque setting than small screws and soft workpiece materials.

- ◆ For drilling in wood, metal and plastics, set the collar to the drilling position symbol
- ◆ For screwdriving, set the collar to the desired setting. If you do not yet know the appropriate setting, proceed as follows:

- ◆ Set the collar to the lowest torque setting.
- ◆ Tighten the first screw.
- ◆ If the clutch ratchets before the desired result is achieved, increase the collar setting and continue tightening the screw. Repeat until you reach the correct setting. Use this setting for the remaining screws.

### Keyless chuck (fig. F)

**Warning!** Make certain the lock-off button (2) is engaged to prevent switch actuation before installing or removing accessories.

To insert a drill bit or other accessory:

- ◆ Grasp the rear half of the chuck (4) with one hand and use your other hand to rotate the front half in the counterclockwise direction, as viewed from the chuck end.
- ◆ Insert the bit or other accessory fully into the chuck, and tighten securely by holding the rear half of the chuck and rotating the front portion in the clockwise direction as viewed from the chuck end.

**Warning!** Do not attempt to tighten drill bits (or any other accessory) by gripping the front part of the chuck and turning the tool on. Damage to the chuck and personal injury may occur when changing accessories.

### Dual range gearing (Figure G)

The dual range feature of your drill allows you to shift gears for greater versatility. To select low speed, high torque setting (position 1), turn tool off and permit to stop. Slide gear shifter button (5) away from the chuck. To select the high speed, low torque setting (position 2), turn tool off and permit to stop. Slide gear shifter button towards the chuck.

**Note:** Do not change gears when tool is running. If you are having trouble changing gears, make sure that the dual range gear button is either completely pushed forward or completely pushed back.

### Drilling/screwdriving

- ◆ Select forward or reverse rotation using the forward/reverse slider (2).
- ◆ To switch the tool on, press the switch (1). The tool speed depends on how far you press the switch.
- ◆ To switch the tool off, release the switch.

## Hints for optimum use

### Drilling

- ◆ Use sharp drill bits only.
- ◆ Support and secure work properly, as instructed in the Safety Instructions.
- ◆ Use appropriate and required safety equipment, as instructed in the Safety Instructions.
- ◆ Secure and maintain work area, as instructed in the Safety Instructions.

- ◆ Run the drill very slowly, using light pressure, until the hole is started enough to keep the drill bit from slipping out of it.
- ◆ Apply pressure in a straight line with the bit. Use enough pressure to keep the bit biting but not so much as to stall the motor or deflect the bit.
- ◆ Hold the drill firmly with two hands to control its twisting action.
- ◆ DO NOT CLICK THE TRIGGER OF A STALLED DRILL OFF AND ON IN AN ATTEMPT TO START IT. DAMAGE TO THE DRILL CAN RESULT.
- ◆ Minimize stalling on breakthrough by reducing pressure and slowly drilling through the last part of the hole.
- ◆ Keep the motor running while pulling the bit out of a drilled hole. This will help reduce jamming.
- ◆ Make sure switch turns drill on and off.

### Drilling in wood

Holes in wood can be made with the same twist drill bits used for metal or with spade bits. These bits should be sharp and should be pulled out frequently when drilling to clear chips from the flutes.

### Drilling in metal

Use a cutting lubricant when drilling metals. The exceptions are cast iron and brass which should be drilled dry. The cutting lubricants that work best are sulfurized cutting oil or lard oil.

### Drilling in masonry

For drilling in masonry, set the collar (3) to the hammer drilling position by aligning the symbol with the marking. Slide the speed selector (5) towards the front of the tool (2nd gear).

### Screwdriving

- ◆ Always use the correct type and size of screwdriver bit.
- ◆ If screws are difficult to tighten, try applying a small amount of washing liquid or soap as a lubricant.
- ◆ Always hold the tool and screwdriver bit in a straight line with the screw

### Troubleshooting

Problem	Possible cause	Possible solution
Unit will not start.	Battery pack not charged.	Check battery pack charging requirements
Battery pack will not charge.	Charger not plugged in.  Surrounding air temperature too hot or too cold.	Plug charger into a working outlet.  Move charger and battery pack to a surrounding air temperature of above 40 degrees F (45°C) or below 105 degrees F (+40.5°C)

Problem	Possible cause	Possible solution
Unit shuts off abruptly.	Battery pack has reached its maximum thermal limit.  Out of charge. (To maximize the life of the battery pack it is designed to shutoff abruptly when the charge is depleted)	Allow battery pack to cool down.  Place on charger and allow to charge.

### Maintenance

Your BLACK+DECKER tool has been designed to operate over a long period of time with a minimum of maintenance. Continuous satisfactory operation depends upon proper tool care and regular cleaning.

Your charger does not require any maintenance apart from regular cleaning.

**Warning!** Before performing any maintenance on the tool, remove the battery from the tool. Unplug the charger before cleaning it.

- ◆ Regularly clean the ventilation slots in your tool and charger using a soft brush or dry cloth.
- ◆ Regularly clean the motor housing using a damp cloth. Do not use any abrasive or solvent-based cleaner.
- ◆ Regularly open the chuck and tap it to remove any dust from the interior.

### Protecting the environment



Separate collection. Products and batteries marked with this symbol must not be disposed of with normal household waste.

Products and batteries contain materials that can be recovered or recycled, reducing demand for raw materials. Please recycle electrical products and batteries according to local provisions. Further information is available at [www.2helpU.com](http://www.2helpU.com)

### Technical data

BCD003				
Voltage	$V_{DC}$	18		
No-load speed	$Min^{-1}$	0 - 360/0 - 1400		
Max. torque	Nm	45		
Chuck capacity	mm	1-10		
Max Drilling capacity				
Steel/wood/Masonry	mm	10/25/10		
Weight	kg	0.9 (with battery 1.3)		
Charger		90589867	90590287-06	90634971
Input voltage	$V_{AC}$	230	230	230
Output voltage	$V_{DC}$	18	18	18



Charger		90589867	90590287-06	90634971
Current	mA	200	400	1A
Approx. charge time	Hours	8	3 - 5	1.5

Battery		BL1518	
Voltage	V <sub>AC</sub>	18	
Capacity	Ah	1.5	
Type		Li-Ion	

Level of sound pressure according to EN 60745:	
Sound pressure (L <sub>pa</sub> )	86.0 dB(A), uncertainty (K) 3 dB(A)
Sound power (L <sub>wa</sub> )	97.0 dB(A), uncertainty (K) 3 dB(A)

Vibration total values (triax vector sum) according to EN 60745:	
Drilling into concrete (a <sub>h, D</sub> )	6.8 m/s <sup>2</sup> , uncertainty (K) 1.5 m/s <sup>2</sup>
Drilling into metal (a <sub>n, D</sub> )	1.8 m/s <sup>2</sup> , uncertainty (K) 1.5 m/s <sup>2</sup>

### EC declaration of conformity

MACHINERY DIRECTIVE



BCD003 - Impact drill

Black & Decker declares that these products described under

"technical data" are in compliance with:

2006/42/EC, EN60745-1:2009+A11:2010, EN60745-2-1:2010, EN60745-2-2:2010.

These products also comply with Directive 2014/30/EU and 2011/65/EU. For more information, please contact Black & Decker at the following address or refer to the back of the manual.

The undersigned is responsible for compilation of the technical file and makes this declaration on behalf of Black & Decker.

R. Laverick  
Engineering Manager  
Black & Decker Europe, 210 Bath Road, Slough,  
Berkshire, SL1 3YD  
United Kingdom  
05/04/2018

### Guarantee

Black & Decker is confident of the quality of its products and offers consumers a 24 month guarantee from the date of purchase. This guarantee is in addition to and in no way prejudices your statutory rights. The guarantee is valid within the territories of the Member States of the European Union and the European Free Trade Area.

To claim on the guarantee, the claim must be in accordance with Black & Decker Terms and Conditions and you will need to submit proof of purchase to the seller or an authorised repair agent.

Terms and conditions of the Black & Decker 2 year guarantee and the location of your nearest authorised repair agent can be obtained on the Internet at [www.2helpU.com](http://www.2helpU.com), or by contacting your local Black & Decker office at the address indicated in this manual.

Please visit our website [www.blackanddecker.co.uk](http://www.blackanddecker.co.uk) to register your new Black & Decker product and receive updates on new products and special offers.

(Übersetzung der ursprünglichen Anweisungen)

### Verwendungszweck

Ihr BLACK+DECKER Schlagbohrer BCD003 wurde für Schraubenwendungen und zum Bohren in Holz, Metall und Mauerwerk entwickelt. Dieses Werkzeug ist nicht für den gewerblichen Einsatz vorgesehen.

### Sicherheitshinweise

#### Allgemeine Sicherheitswarnhinweise für Elektrowerkzeuge



**Warnung! Lesen Sie alle Sicherheitswarnhinweise und alle Anweisungen.** Das Nichtbeachten der nachfolgenden Warnhinweise und Anweisungen kann zu elektrischem Schlag, Brand und/oder schweren Verletzungen führen.

**Bewahren Sie alle Warnhinweise und alle Anweisungen auf.** Der Begriff „Elektrowerkzeug“ in allen folgenden Warnhinweisen bezieht sich auf Ihr netzbetriebenes Elektrowerkzeug (mit Kabel) oder auf Ihr akkubetriebenes (kabelloses) Elektrowerkzeug.

1. **Sicherheit im Arbeitsbereich**
  - a. **Halten Sie den Arbeitsbereich sauber und gut ausgeleuchtet.** Unaufgeräumte oder dunkle Bereiche begünstigen Unfälle.

- b. **Betreiben Sie das Elektrowerkzeug nicht in explosionsgefährdeten Umgebungen, in denen sich z. B. brennbare Flüssigkeiten, Gase oder Staub befinden.** Elektrowerkzeuge erzeugen Funken, die den Staub oder die Dämpfe entzünden können.
- c. **Halten Sie Kinder und Zuschauer fern, während Sie ein Elektrogerät betreiben.** Ablenkung kann dazu führen, dass Sie die Kontrolle über das Gerät verlieren.
2. **Elektrische Sicherheit**
- a. **Der Stecker des Elektrogerätes muss in die Steckdose passen. Ändern Sie niemals den Stecker in irgendeiner Form. Verwenden Sie keinerlei Adapterstecker an geerdeten Elektrogeräten.** Unveränderte Stecker und passende Steckdosen mindern die Gefahr eines elektrischen Schlages.
- b. **Vermeiden Sie Körperkontakt mit geerdeten Flächen, wie Rohren, Radiatoren, Herden und Kühlgeräten.** Es besteht eine erhöhte Gefahr für einen elektrischen Schlag, wenn Ihr Körper geerdet ist.
- c. **Setzen Sie Elektrogeräte keinem Regen oder feuchter Umgebung aus.** Wenn Wasser in das Elektrogerät eindringt, erhöht sich die Gefahr eines elektrischen Schlages.
- d. **Überlasten Sie das Kabel nicht. Verwenden Sie niemals das Kabel, um das Elektrogerät zu tragen oder durch Ziehen vom Netz zu trennen. Halten Sie das Kabel fern von Hitze, Öl, scharfen Kanten oder beweglichen Teilen.** Beschädigte oder verhedderte Kabel erhöhen die Gefahr eines elektrischen Schlages.
- e. **Wenn Sie ein Elektrogerät im Freien betreiben, verwenden Sie ein für den Außeneinsatz geeignetes Verlängerungskabel.** Die Verwendung von für den Außeneinsatz geeigneten Kabeln mindert die Gefahr eines elektrischen Schlages.
- f. **Wenn der Betrieb eines Elektrogerätes in feuchter Umgebung unumgänglich ist, verwenden Sie eine durch einen Fehlerstromschutzschalter (FI-Schalter oder RCD) geschützte Stromversorgung.** Der Einsatz eines Fehlerstromschutzschalters mindert die Gefahr eines elektrischen Schlages.
3. **Sicherheit von Personen**
- a. **Seien Sie aufmerksam, achten Sie darauf, was Sie tun, und gehen Sie mit Vernunft an die Arbeit mit einem Elektrowerkzeug. Benutzen Sie kein Elektrowerkzeug, wenn Sie müde sind oder unter dem Einfluss von Drogen, Alkohol oder Medikamenten stehen.** Ein Moment der Unachtsamkeit beim Betrieb eines Elektrogerätes kann zu schweren Verletzungen führen.
- b. **Tragen Sie persönliche Schutzausrüstung. Tragen Sie Augenschutz.** Das Tragen persönlicher Schutzausrüstung, wie Staubmaske, rutschfeste Sicherheitsschuhe, Schutzhelm oder Gehörschutz, je nach Art und Einsatz des Elektrowerkzeuges, verringert das Risiko von Verletzungen.
- c. **Vermeiden Sie unbeabsichtigtes Starten. Vergewissern Sie sich, dass der Schalter in der AUS-Position ist, bevor Sie das Gerät an die Stromversorgung und/oder an den Akku anschließen oder wenn Sie das Gerät aufnehmen oder tragen.** Wenn Sie beim Tragen des Elektrowerkzeuges den Finger am Schalter haben oder das Gerät eingeschaltet an die Stromversorgung anschließen, kann dies zu Unfällen führen.
- d. **Entfernen Sie alle Einstellschlüssel oder Werkzeuge, bevor Sie das Elektrogerät einschalten.** Werkzeuge oder Schlüssel, die an rotierenden Teilen des Elektrogerätes angebracht sind, können zu Verletzungen führen.
- e. **Vermeiden Sie eine anormale Körperhaltung. Sorgen Sie für einen sicheren Stand und halten Sie jederzeit das Gleichgewicht.** Dadurch können Sie das Elektrowerkzeug in unerwarteten Situationen besser kontrollieren.
- f. **Tragen Sie geeignete Kleidung. Tragen Sie keine weite Kleidung und keinen Schmuck. Halten Sie Ihre Haare, Kleidung und Handschuhe von beweglichen Teilen fern.** Lose sitzende Kleidung, Schmuck oder lange Haare können sich in den beweglichen Teilen verfangen.
- g. **Wenn Geräte für den Anschluss an eine Staubabsaugung und Staubsammlung vorgesehen sind, vergewissern Sie sich, dass diese richtig angeschlossen sind und verwendet werden.** Der Einsatz von Staubsaugern kann staubbedingte Gefahren mindern.
4. **Verwendung und Pflege des Elektrogerätes**
- a. **Überlasten Sie das Werkzeug nicht. Verwenden Sie das für Ihre Arbeit passende Elektrogerät.** Das richtige Gerät wird die Aufgabe besser und sicherer erledigen, wenn es bestimmungsgemäß verwendet wird.
- b. **Benutzen Sie kein Elektrowerkzeug, dessen Schalter defekt ist.** Ein Elektrowerkzeug, das sich nicht mehr ein- oder ausschalten lässt, ist gefährlich und muss repariert werden.
- c. **Trennen Sie den Stecker vom Netz und/oder die Akkus vom Elektrogerät, bevor Sie Einstellungen am Gerät vornehmen, Zubehör wechseln oder es aufbewahren.** Diese Vorbeugemaßnahmen mindern die Gefahr, dass das Elektrogerät unbeabsichtigt startet. Diese Vorbeugemaßnahmen mindern die Gefahr, dass das Elektrogerät unbeabsichtigt startet.

- d. **Bewahren Sie nicht verwendete Elektrogeräte für Kinder unerreichbar auf und lassen Sie nicht zu, dass Personen ohne Erfahrung mit dem Elektrogerät oder mit diesen Anweisungen das Elektrogerät bedienen.** Elektrogeräte sind in den Händen nicht geschulter Personen gefährlich.
- e. **Pflegen Sie Ihre Elektrogeräte. Prüfen Sie, ob bewegliche Teile verzogen oder ausgeschlagen, ob Teile gebrochen oder in einem Zustand sind, der den Betrieb des Elektrogerätes beeinträchtigen kann. Bei Beschädigungen lassen Sie das Elektrogerät reparieren, bevor Sie es verwenden.** Viele Unfälle entstehen wegen mangelnder Wartung der Elektrogeräte.
- f. **Halten Sie Schneidwerkzeuge scharf und sauber.** Richtig gewartete Schneidwerkzeuge mit scharfen Klingen blockieren seltener und sind leichter unter Kontrolle zu halten.
- g. **Verwenden Sie Elektrogeräte, Zubehör und Einsätze (Bits) usw. gemäß diesen Anweisungen und unter Berücksichtigung der Arbeitsbedingungen und der Aufgabe.** Wenn Sie das Elektrogerät für Aufgaben verwenden, die nicht bestimmungsgemäß sind, kann dies zu gefährlichen Situationen führen.
5. **Gebrauch und Pflege von Akkuwerkzeugen**
- a. **Laden Sie die Akkus nur in Ladegeräten auf, die vom Hersteller angegeben wurden.** Für ein Ladegerät, das nur für eine bestimmte Akkumart geeignet ist, besteht Brandgefahr, wenn es mit anderen Akkus verwendet wird.
- b. **Verwenden Sie Elektrowerkzeuge nur mit speziell dafür vorgesehenen Akkus.** Der Gebrauch von anderen Akkus kann zu Verletzungen und Brandgefahr führen.
- c. **Halten Sie den nicht benutzten Akku fern von Büroklammern, Münzen, Schlüsseln, Nägeln, Schrauben oder anderen kleinen Metallgegenständen, die eine Überbrückung der Kontakte verursachen könnten.** Ein Kurzschluss zwischen den Akkukontakten kann Verbrennungen oder Feuer zur Folge haben.
- d. **Unter missbräuchlichen Bedingungen kann Flüssigkeit aus dem Akku austreten, Kontakt vermeiden. Bei unbeabsichtigtem Kontakt mit Wasser abspülen. Gelangt die Flüssigkeit in die Augen, ziehen Sie außerdem ärztliche Hilfe hinzu.** Austretende Akkuflüssigkeit kann zu Hautreizungen oder Verbrennungen führen.
6. **Service**
- a. **Lassen Sie Ihr Elektrowerkzeug nur von qualifiziertem Fachpersonal und nur mit Original-Ersatzteilen reparieren.** Damit wird sichergestellt, dass die Sicherheit des Gerätes erhalten bleibt.

## Zusätzliche Sicherheitshinweise für Elektrowerkzeuge



**Warnung!** Zusätzliche Sicherheitshinweise für Bohrmaschinen

- ◆ **Benutzen Sie die mit dem Werkzeug gelieferten Zusatzgriffe.** Der Verlust der Kontrolle kann Verletzungen verursachen.
  - ◆ **Halten Sie das Elektrowerkzeug an den isolierten Griffflächen, wenn Arbeiten durchgeführt werden, bei denen das Schneidwerkzeug versteckte Leitungen berühren könnte.** Der Kontakt des Schneidwerkzeugs mit einer spannungsführenden Leitung kann auch metallene Geräteteile unter Spannung setzen und zu einem elektrischen Schlag führen.
  - ◆ **Halten Sie das Elektrowerkzeug an den isolierten Griffflächen, wenn Arbeiten durchgeführt werden, bei denen das Gerät versteckte Leitungen berühren könnte.** Der Kontakt von Befestigungsmitteln mit einer spannungsführenden Leitung kann auch metallene Geräteteile unter Spannung setzen und zu einem elektrischen Schlag führen.
  - ◆ **Sichern Sie das Werkstück zum Beispiel mit Einspannvorrichtungen auf einer stabilen Plattform.** Das Werkstück wird instabil, wenn es mit der Hand oder dem Körper abgestützt wird, was zum Verlust der Kontrolle führen kann.
  - ◆ **Bevor Sie in Wände, Böden oder Decken bohren, überprüfen Sie die Lage von Kabeln und Rohren.**
  - ◆ **Vermeiden Sie es, die Spitze eines Bohrers unmittelbar nach dem Bohren zu berühren, da dieser heiß werden kann.**
  - ◆ **Die bestimmungsgemäße Verwendung ist in dieser Betriebsanleitung beschrieben. Das Verwenden anderer als der in dieser Anleitung empfohlenen Vorsatzgeräte und Zubehörteile oder die Ausführung von Arbeiten mit diesem Elektrowerkzeug, die nicht der bestimmungsgemäßen Verwendung entsprechen, kann zu Unfallgefahren oder Sachschäden führen.**
- ### Sicherheit anderer Personen
- ◆ **Dieses Werkzeug darf nicht von Personen (einschließlich Kindern) mit eingeschränkten physischen, sensorischen oder mentalen Fähigkeiten oder ohne ausreichende Erfahrung oder Kenntnisse verwendet werden, außer wenn diese Personen von einer Person, die für ihre Sicherheit verantwortlich ist, bei der Verwendung des Werkzeugs beaufsichtigt oder mit ihm vertraut gemacht werden.**
  - ◆ **Lassen Sie nicht zu, dass Kinder mit dem Gerät spielen.**

## Restrisiken

Beim Gebrauch dieses Geräts verbleiben zusätzliche Restrisiken, die möglicherweise nicht in den Sicherheitswarnungen genannt werden. Diese Risiken bestehen beispielsweise bei Missbrauch oder längerem Gebrauch.

Auch bei der Einhaltung der entsprechenden Sicherheitsvorschriften und der Verwendung aller Sicherheitsgeräte bestehen weiterhin bestimmte Restrisiken. Diese sind:

- ◆ Verletzungen, die durch das Berühren von sich drehenden/bewegenden Teilen verursacht werden.
- ◆ Verletzungen, die durch das Austauschen von Teilen, Sägeblättern oder Zubehör verursacht werden.
- ◆ Verletzungen, die durch längeren Gebrauch eines Geräts verursacht werden. Legen Sie bei längerem Gebrauch regelmäßige Pausen ein.
- ◆ Schwerhörigkeit.
- ◆ Gesundheitsrisiken durch das Einatmen von Staub beim Gebrauch des Geräts (beispielsweise bei Holzarbeiten, insbesondere Eiche, Buche und Pressspan)

## Schwingung

Die in den technischen Daten und der Konformitätserklärung angegebenen Schwingungsemissionswerte wurden in Übereinstimmung mit einem Standard-Testverfahren gemäß EN 60745 gemessen und können zum Vergleich einzelner Werkzeuge verwendet werden. Der angegebene Schwingungsemissionswert kann auch in einer vorläufigen Beurteilung der Exposition verwendet werden.

**Warnung!** Der Schwingungsemissionswert, der während der tatsächlichen Benutzung des Elektrowerkzeugs erreicht wird, kann sich von dem angegebenen Wert unterscheiden, was von der Art und Weise abhängt, in der das Werkzeug verwendet wird. Der Schwingungspegel kann über den angegebenen Wert steigen.

Bei der Beurteilung der Schwingungsbelastung, um die gemäß 2002/44/EG vorgeschriebenen Sicherheitsmaßnahmen festzulegen, damit Personen geschützt werden, die regelmäßig mit Elektrowerkzeugen arbeiten, müssen in einer Bewertung der Schwingungsbelastung die tatsächlichen Einsatzbedingungen und die Art und Weise, wie das Werkzeug verwendet wird, berücksichtigt werden; dazu gehört neben der Dauer des Betriebs bei gedrücktem Auslöser auch die Berücksichtigung aller Bereiche des Betriebszyklus, beispielsweise die Häufigkeit des Abschaltens des Werkzeugs und wie lange es im Leerlauf betrieben wird.

## Etiketten am Werkzeug

Die folgenden Symbole sind am Werkzeug inkl. Datumscode angebracht:



**Warnung!** Zur Reduzierung der Verletzungsgefahr muss der Benutzer die Betriebsanleitung lesen.



Tragen Sie bei der Verwendung von Schlagbohrern Ohrschützer. Lärm kann Gehörschäden verursachen.

## Zusätzliche Sicherheitshinweise für Akkus und Ladegeräte

### Akkus

- ◆ Versuchen Sie niemals und unter keinen Umständen, Akkus zu öffnen.
- ◆ Setzen Sie den Akku keinem Wasser aus.
- ◆ Nicht an Orten lagern, an denen eine Temperatur von 40 °C überschritten werden kann.
- ◆ Nur bei Umgebungstemperaturen zwischen 10 °C und 40 °C aufladen.
- ◆ Nur mit dem mitgelieferten Ladegerät aufladen.
- ◆ Beachten Sie beim Entsorgen von Akkus die Hinweise im Abschnitt „Umweltschutz“.



Nicht versuchen, beschädigte Akkus aufzuladen.

### Ladegeräte

- ◆ Verwenden Sie Ihr BLACK+DECKER-Ladegerät nur, um den mit dem Gerät gelieferten Akku aufzuladen. Andere Akkus könnten bersten und Verletzungen und Sachschäden verursachen.
- ◆ Versuchen Sie niemals, nicht-aufladbare Akkus aufzuladen.
- ◆ Defekte Kabel sofort ersetzen lassen.
- ◆ Setzen Sie das Ladegerät keinem Wasser aus.
- ◆ Öffnen Sie das Ladegerät nicht.
- ◆ Durchstechen Sie das Ladegerät nicht.



Das Ladegerät ist nicht für den Einsatz im Freien vorgesehen.



Lesen Sie vor der Verwendung die Betriebsanleitung.

### Elektrische Sicherheit



Das Ladegerät ist schutzisoliert, daher ist keine Erdung erforderlich. Überprüfen Sie immer, dass die Netzspannung der Spannung auf dem Typenschild entspricht. Versuchen Sie niemals, das Ladegerät durch einen normalen Netzstecker zu ersetzen.

- ◆ Bei einer Beschädigung des Netzkabels muss dieses durch den Hersteller oder eine BLACK+DECKER Vertragswerkstatt ausgetauscht werden, um mögliche Gefahren zu vermeiden.

## Merkmale

Dieses Werkzeug verfügt über einige oder alle der folgenden Merkmale:

1. Drehzahl-Regelschalter
2. Rechts-/Links-Schieber
3. Drehmomenteinstellung
4. Schnellspannfutter
5. Zweiganggetriebe
6. LED-Arbeitsleuchte
7. Akku
8. Akku-Löseknöpfe

## Montage

### Verwendung

**Warnung!** Beschleunigen Sie den Arbeitsvorgang nicht mit Gewalt. Vermeiden Sie eine Überlastung.

### Aufladen des Akkus (Abb. A1, A2)

Der Akku muss vor dem ersten Gebrauch geladen werden sowie immer dann, wenn bei zuvor einfach durchzuführenden Arbeiten keine ausreichende Leistung erzielt wird. Der Akku kann beim Laden warm werden; das ist normal und deutet nicht auf ein Problem hin.

**Warnung!** Laden Sie den Akku bei Temperaturen unter 10 °C oder über 40 °C auf. Empfohlene Ladetemperatur: etwa 24 °C.

**Anmerkung: Das Ladegerät lädt keine Akkus, wenn die Zellentemperatur unter ca. 10 °C oder über 40 °C liegt. Der Akku sollte im Ladegerät verbleiben, dann beginnt das Ladegerät automatisch zu laden, wenn die Zellentemperatur sich auf einen geeigneten Wert erhöht oder verringert hat.**

- ◆ Stecken Sie das Ladegerät (9) in eine normale 230 Volt/50 Hz-Steckdose.
- ◆ Schieben Sie den Akku (7) in das Ladegerät, wie in Abb. A1, A2 gezeigt.



Die LED (9a) zeigt daraufhin durch Blinken an, dass der Akku geladen wird.



Der Abschluss des Ladevorgangs wird dadurch angezeigt, dass die LED (9a) dauerhaft leuchtet. Der Akku ist vollständig aufgeladen und kann jetzt verwendet oder in der Ladestation gelassen werden.

**Warnung!** Feuergefahr. Wenn Sie den Akku vom Ladegerät trennen, ziehen Sie zuerst das Ladegerät aus der Steckdose und trennen Sie dann den Akku vom Ladegerät.

## Ladegerätdiagnose

Dieses Ladegerät wurde entwickelt, um bestimmte Probleme zu erkennen, die im Zusammenhang mit Akkus oder der Stromquelle entstehen können. Probleme werden durch eine LED angezeigt, die in verschiedenen Mustern blinkt.

### Fehlerhafter Akku



Das Ladegerät kann einen schwachen oder beschädigten Akku erkennen. Die LED blinkt mit dem auf dem Etikett angegebenen Muster.

Wenn Sie dieses Blinkmuster sehen, das einen fehlerhaften Akku anzeigt, setzen Sie den Ladevorgang nicht fort. Senden Sie den Akku zum Recycling an eine Vertragswerkstatt oder eine Recyclingstelle.

### Verzögerung bei heißem/kaltem Akku



Wenn das Ladegerät einen extrem heißen oder kalten Akku erkennt, startet es automatisch eine Verzögerung bei heißem/

kaltem Akku, die das Laden verhindert, bis der Akku eine normale Temperatur erreicht hat. Danach wechselt das Ladegerät automatisch in den Akkulademodus. Diese Funktion sorgt für eine maximale Lebensdauer des Akkus. Das Licht blinkt mit dem auf dem Etikett angegebenen Muster.

### Akku im Ladegerät lassen

Ladegerät und Akku können miteinander verbunden bleiben, die LED leuchtet dann dauerhaft. Das Ladegerät hält den Akku dann frisch und vollständig aufgeladen.

Dieses Ladegerät verfügt über einen automatischen Abstimmungsmodus, der einzelne Zellen im Akku so ausgleicht, dass sie mit Höchstkapazität funktionieren können. Akkus sollten wöchentlich oder immer dann abgestimmt werden, wenn der Akku nicht mehr die gewohnte Leistung erbringt. Um den automatischen Abstimmmodus zu verwenden, stecken Sie den Akku in das Ladegerät und lassen Sie ihn für mindestens 8 Stunden darin.

### Wichtige Hinweise zum Aufladen

- ◆ Die längste Lebensdauer und die beste Leistung können erhalten werden, wenn der Akku dann aufgeladen wird, wenn die Lufttemperatur zwischen 18 ° – 24 °C liegt. Laden Sie den Akku NICHT bei einer Lufttemperatur unter +4,5 °C oder über +40 °C auf. Dies ist wichtig und verhindert eine ernsthafte Beschädigung des Akkus.
- ◆ Ladegerät und Akku können sich während des Ladevorgangs warm anfühlen. Das ist normal und deutet nicht auf ein Problem hin. Um das Abkühlen des Akkus nach Gebrauch zu erleichtern, vermeiden Sie es, das Ladegerät oder den Akku in einer warmen Umgebung wie in einem Metallschuppen oder einem unisolierten Anhänger aufzubewahren.
- ◆ Wenn der Akku nicht richtig aufgeladen wird:

- ◆ Überprüfen Sie die Funktionsfähigkeit der Steckdose durch Einstecken einer Lampe oder eines anderen Geräts;
- ◆ Überprüfen Sie, ob die Steckdose an einen Lichtschalter angeschlossen ist, der die Stromversorgung trennt, wenn Sie das Licht ausschalten;
- ◆ Bringen Sie Ladegerät und Akku an einen Ort, wo die umgebende Lufttemperatur etwa 18 ° – 24 °C beträgt;
- ◆ Wenn die Ladeprobleme weiterhin bestehen, bringen Sie das Werkzeug, den Akku und das Ladegerät zu Ihrer lokalen Vertragswerkstatt.
- ◆ Der Akku sollte aufgeladen werden, wenn bei zuvor einfach durchzuführenden Arbeiten keine ausreichende Leistung erzielt wird. Unter diesen Bedingungen NICHT WEITER VERWENDEN. Beachten Sie den Ladevorgang. Sie können auch jederzeit einen teilweise verbrauchten Akku aufladen, ohne dass dies negative Auswirkungen auf den Akku hat.
- ◆ Fremdmaterialien leitender Natur wie, unter anderem, Schleifstaub, Metallspäne, Stahlwolle, Aluminiumfolie oder Ansammlungen von Metallpartikeln, sollte von Hohlräumen des Ladegeräts ferngehalten werden. Ziehen Sie den Netzstecker des Ladegerätes vor dem Reinigen aus der Steckdose.
- ◆ Das Ladegerät nicht in Wasser oder anderen Flüssigkeiten einfrieren oder darin eintauchen.

### Einsetzen und Entfernen des Akkus aus dem Werkzeug (Abb. B)

**Warnung!** Stellen Sie vor dem Einsetzen und Entfernen des Akkus sicher, dass der Verriegelungsschalter (2) eingerastet ist, um zu verhindern, dass das Werkzeug eingeschaltet wird. Einsetzen des Akkus:

- ◆ Setzen Sie den Akku (7) in das Werkzeug ein, bis ein Klicken zu hören ist (Abb. B)

### Entfernen des Akkus aus dem Werkzeug (Abb. C)

- ◆ Drücken Sie den Akku-Löseknopf (8) wie in (Abb. C) gezeigt und ziehen Sie den Akku aus dem Werkzeug.

## Bediananweisungen

### Auslöseschalter und Umschaltknopf (Abb. D)

- ◆ Der Bohrer wird durch Ziehen und Loslassen des Auslöseschalters (1) ein- und ausgeschaltet. Je weiter der Auslöser eingedrückt wird, desto höher ist die Geschwindigkeit des Bohrers.
- ◆ Ein Regler (2) für Rechts- oder Linksdrehung bestimmt die Drehrichtung des Werkzeugs und dient auch als Verriegelungsschalter.

- ◆ Für Rechtsdrehung (vorwärts) lassen Sie den Auslöseschalter los und drücken den Drehrichtungsknopf nach links.
- ◆ Um den Linkslauf auszuwählen, drücken Sie den Drehrichtungsknopf in die entgegengesetzte Richtung.

**Anmerkung:** In der mittleren Stellung des Reglers ist das Werkzeug in der AUS-Stellung verriegelt. Achten Sie darauf, dass der Auslöseschalter entriegelt ist, wenn Sie diesen Regler verstellen.

### Drehmomentkontrolle (Abb. E)

Dieses Werkzeug ist mit einem Drehmomenteinstellung (3) ausgestattet, um die Betriebsart auszuwählen und das Drehmoment zum Anziehen von Schrauben einzustellen. Große Schrauben und harte Werkstückmaterialien erfordern ein höheres Drehmoment als kleine Schrauben und weiche Werkstückmaterialien.

- ◆ Zum Bohren in Holz, Metall und Kunststoff den Einstellung auf das Symbol für die Bohrposition drehen.
- ◆ Zum Eindrehen von Schrauben den Einstellung auf die gewünschte Position drehen. Wenn die richtige Einstellung noch nicht bekannt ist, gehen Sie folgendermaßen vor:
- ◆ Stellen Sie den Einstellung auf die niedrigste Drehmomenteinstellung.
- ◆ Ziehen Sie die erste Schraube an.
- ◆ Wenn die Kupplung ratscht, bevor das gewünschte Ergebnis erzielt wurde, erhöhen Sie die Einstellung des Einstellings und ziehen Sie die Schraube weiter fest. Wiederholen Sie dies, bis die richtige Einstellung erreicht ist. Verwenden Sie diese Einstellung für die restlichen Schrauben.

### Schnellspannfutter (Abb. F)

**Warnung!** Stellen Sie vor dem Anbringen oder Entfernen von Zubehör sicher, dass der Verriegelungsschalter (2) eingerastet ist, um zu verhindern, dass das Werkzeug eingeschaltet wird. So setzen Sie ein Bohrerbit oder ein anderes Zubehörteil ein:

- ◆ Fassen Sie die hintere Hälfte des Spannfutters (4) mit einer Hand und drehen Sie die vordere Hälfte mit der anderen Hand vom Spannfutterende aus gesehen entgegen dem Uhrzeigersinn.
- ◆ Setzen Sie das Bit oder das entsprechende Zubehörteil vollständig in das Spannfutter ein und ziehen Sie es fest an, indem Sie die hintere Hälfte des Spannfutters festhalten und den vorderen Teil vom Spannfutterende aus gesehen im Uhrzeigersinn drehen.

**Warnung!** Versuchen Sie nicht, Bohrvorsätze (oder anderes Zubehör) einzusetzen, indem Sie das Spannfutter vorne fassen und das Gerät einschalten. Beim Wechseln von Zubehör können Schäden am Spannfutter und Verletzungen auftreten.

## Dual-Gangschaltung (Abbildung G)

Das Zweiganggetriebe an Ihrem Bohrer ermöglicht den Gangwechsel für eine größere Anpassungsfähigkeit. Zur Auswahl der niedrigen Geschwindigkeit mit hoher Drehzahl (Position 1) schalten Sie das Gerät aus und lassen es auslaufen. Schieben Sie den Gangschalter (5) vom Spannfutter weg. Zur Auswahl der hohen Geschwindigkeit mit niedriger Drehzahl (Position 2) schalten Sie das Gerät aus und lassen es auslaufen. Schieben Sie den Gangschalter in Richtung Spannfutter.

**Anmerkung:** Wechseln Sie nicht die Gänge, während das Werkzeug läuft. Bei Problemen beim Gangwechsel prüfen Sie, dass der Gangschalter entweder komplett nach vorne oder hinten geschoben ist.

## Bohren/Schrauben

- ◆ Um den Rechts- oder Linkslauf auszuwählen, verwenden Sie den Rechts-/Links-Schieberegler (2).
- ◆ Drücken Sie zum Einschalten des Werkzeugs den Schalter (1) ein. Die Werkzeuggeschwindigkeit hängt davon ab, wie weit Sie den Schalter eindrücken.
- ◆ Zum Ausschalten des Werkzeugs lassen Sie den Schalter los.

## Hinweise für optimale Arbeitsergebnisse

### Bohren

- ◆ Verwenden Sie nur scharfe Bohrerbits.
- ◆ Stützen und sichern Sie Werkstücke angemessen ab, wie in den Sicherheitshinweisen beschrieben.
- ◆ Verwenden Sie geeignete und erforderliche Sicherheitsausrüstung, wie in den Sicherheitshinweisen beschrieben.
- ◆ Sichern Sie den Arbeitsbereich und halten Sie ihn aufgeräumt, wie in den Sicherheitshinweisen beschrieben.
- ◆ Führen Sie den Bohrer sehr langsam mit leichtem Druck in das Werkstück, bis das Loch tief genug ist, dass der Bohrer nicht mehr herausrutscht.
- ◆ Üben Sie Druck immer in gerader Linie zum Bohreinsatz aus. Üben Sie genug Druck aus, dass der Bohreinsatz schneidet, aber nicht so viel, dass der Motor abgewürgt wird oder der Bohreinsatz abrutscht.
- ◆ Halten Sie den Bohrer mit beiden Händen fest, um seine Drehwirkung zu kontrollieren.
- ◆ **DRÜCKEN SIE NICHT WIEDERHOLT DEN AUSLÖSER EINES ABGEWÜRGTEN BOHRES IN DEM VERSUCH, IHN NEU ZU STARTEN. SCHÄDEN AM BOHRER KÖNNEN DIE FOLGE SEIN.**
- ◆ Minimieren Sie die Gefahr des erneuten Abwürgens, indem Sie den Druck reduzieren und langsam durch den letzten Teil des Lochs bohren.

- ◆ Lassen Sie den Motor weiterlaufen, während Sie den Bohreinsatz aus dem Bohrloch ziehen. Das reduziert ein Verklemmen.
- ◆ Stellen Sie sicher, dass sich der Bohrer mit dem Schalter ein- und ausschalten lässt.

### Bohren in Holz

Löcher in Holz können mit den gleichen Spiralbohrerbits hergestellt werden, die für Metall verwendet werden, oder mit Flachbohrerbits. Die Bits müssen scharf sein und sollten beim Bohren häufig herausgezogen werden, um Späne aus den Rillen zu entfernen.

### Bohren in Metall

Verwenden Sie beim Bohren von Metallen ein Schneidöl. Die Ausnahmen sind Gusseisen und Messing, die trocken gebohrt werden sollten. Die am besten geeigneten Schneidschmierstoffe sind sulfuriertes Schneidöl oder Schmalzöl.

### Bohren in Mauerwerk

Stellen Sie zum Bohren in Mauerwerk den Einstellring (3) auf die Position zum Schlagbohren, indem Sie das entsprechende Symbol an der Markierung ausrichten. Schieben Sie den Drehzahlwähler (5) zur Vorderseite des Werkzeugs (2. Gang).

### Schraubendrehen

- ◆ Verwenden Sie nur Schraubendreherbits vom richtigen Typ und in der richtigen Größe.
- ◆ Wenn sich Schrauben nur schwer anziehen lassen, versuchen Sie, eine kleine Menge Spülmittel oder Seife als Schmiermittel aufzutragen.
- ◆ Halten Sie das Werkzeug und das Schraubendreherbit stets in einer geraden Linie mit der Schraube.

## Fehlerbehebung

Problem	Mögliche Ursache	Mögliche Lösung
Gerät startet nicht.	Akku nicht aufgeladen.	Ladeanforderungen für den Akku überprüfen
Akku wird nicht aufgeladen.	Ladegerät ist nicht in die Steckdose eingesteckt.  Umgebungslufttemperatur zu hoch oder zu niedrig.	Ladegerät an eine funktionierende Steckdose anschließen.  Ladegerät und Akku auf eine Umgebungstemperatur von über +4,5 °C oder unter +40,5 °C bringen.
Das Gerät schaltet sich abrupt ab.	Der Akku hat seine maximale thermische Grenze erreicht.  Akku ist nicht genügend aufgeladen. (Um die Lebensdauer des Akkus zu maximieren, wird er abrupt abgeschaltet, wenn er nicht genügend aufgeladen ist.)	Akku abkühlen lassen.  Akku mit Ladegerät verbinden und aufladen lassen.

**Wartung**

Ihr BLACK+DECKER-Elektrowerkzeug wurde für langfristigen Betrieb mit minimalem Wartungsaufwand konstruiert. Ein dauerhafter, einwandfreier Betrieb setzt sorgfältige Pflege und regelmäßige Reinigung voraus.

Abgesehen von der regelmäßigen Reinigung ist Ihr Ladegerät wartungsfrei.

**Warnung!** Bevor Sie Wartungsarbeiten am Werkzeug durchführen, nehmen Sie den Akku aus dem Werkzeug. Ziehen Sie vor dem Reinigen des Ladegeräts den Netzstecker.

- ◆ Reinigen Sie regelmäßig die Lüftungsschlitze Ihres Werkzeugs und Ladegeräts mit einer weichen Bürste oder einem trockenen Tuch.
- ◆ Reinigen Sie das Motorgehäuse regelmäßig mit einem feuchten Tuch. Verwenden Sie keine scheuernden Reinigungsmittel oder solche auf Lösungsmittelbasis.
- ◆ Öffnen Sie das Spannfutter regelmäßig und klopfen Sie es aus, um Staub aus dem Inneren zu entfernen.

**Umweltschutz**



Abfalltrennung. Produkte und Akkus mit diesem Symbol dürfen nicht mit dem normalen Hausmüll entsorgt werden.

Produkte und Akkus enthalten Materialien, die wiederverwertet werden können, um den Bedarf an Rohstoffen zu verringern. Bitte recyceln Sie Elektroprodukte und Akkus gemäß den lokalen Bestimmungen. Weitere Informationen finden Sie auf [www.2helpU.com](http://www.2helpU.com)

**Technische Daten**

		BCD003	
Spannung	V <sub>DC</sub>	18	
Leerlaufdrehzahl	Min <sup>-1</sup>	0 - 360/0 - 1400	
Max. Drehmoment	Nm	45	
Bohrfutterspannweite	mm	1-10	
Max. Bohrtiefe			
Stahl/Holz/Mauerwerk	mm	10/25/10	
Gewicht	kg	0,9 (mit Akku 1,3)	

Ladegerät		90589867	90590287-06	90634971
Eingangsspannung	V <sub>AC</sub>	230	230	230
Ausgangsspannung	V <sub>DC</sub>	18	18	18
Strom	mA	200	400	1A
Geschätzte Ladedauer	Stunden	8	3 - 5	1.5

Akku			BL1518
Spannung	V <sub>AC</sub>		18
Kapazität	Ah		1.5
Typ			Li-Ionen

Schalldruckpegel gemäß EN 60745:	
Schalldruck (L <sub>pa</sub> )	86,0 dB(A), Unsicherheitsfaktor (K) 3 dB(A)
Schalleistung (L <sub>wa</sub> )	97,0 dB(A), Unsicherheitsfaktor (K) 3 dB(A)

Gesamtvibrationswerte (Triax-Vektorsumme) gemäß EN 60745:	
Bohren in Beton (a <sub>h,d</sub> )	6,8 m/s <sup>2</sup> , Unsicherheitsfaktor (K) 1,5 m/s <sup>2</sup>
Bohren in Metall (a <sub>h,d</sub> )	1,8 m/s <sup>2</sup> , Unsicherheitsfaktor (K) 1,5 m/s <sup>2</sup>

**EU-Konformitätserklärung**

MASCHINENRICHTLINIE



BCD003 - Schlagbohrer

Black & Decker erklärt, dass die unter „Technische Daten“ beschriebenen Geräte übereinstimmen mit: 2006/42/EC, EN60745-1:2009+A11:2010, EN60745-2-1:2010, EN60745-2-2:2010.

Diese Produkte entsprechen außerdem den Richtlinien 2014/30/EU und 2011/65/EU. Weitere Informationen erhalten Sie von Black & Decker unter der folgenden Adresse. Diese befindet sich auch auf der Rückseite dieser Anleitung.

Der Unterzeichnete ist verantwortlich für die Zusammenstellung des technischen Dossiers und gibt diese Erklärung im Namen von Black&Decker ab.

R. Laverick  
 Engineering Manager  
 Black & Decker Europe, 210 Bath Road, Slough,  
 Berkshire, SL1 3YD  
 Vereinigtes Königreich  
 05/04/2018



## Garantie

Black&Decker vertraut auf die Qualität der eigenen Geräte und bietet dem Käufer eine außergewöhnliche Garantie von 24 Monaten ab Kaufdatum. Diese Garantie versteht sich unbeschadet der gesetzlichen Gewährleistungsansprüche und schränkt diese keinesfalls ein. Diese Garantie gilt innerhalb der Staatsgebiete der Mitgliedstaaten der Europäischen Union und der Europäischen Freihandelszone.

Zur Inanspruchnahme dieser Garantie muss sie den allgemeinen Geschäftsbedingungen von Black & Decker entsprechen und dem Verkäufer bzw. der Vertragswerkstatt ist ein Kaufnachweis vorzulegen.

Die Bedingungen für die 2-jährige Garantie von Black & Decker und den Standort Ihrer nächstgelegenen Vertragswerkstatt finden Sie im Internet unter [www.2helpU.com](http://www.2helpU.com) oder indem Sie sich an die lokale Black & Decker-Niederlassung wenden, deren Adresse Sie in dieser Anleitung finden.

Ihr neues Black & Decker-Produkt können Sie auf unserer Website unter [www.blackanddecker.de](http://www.blackanddecker.de) registrieren. Dort erhalten Sie auch Informationen über neue Produkte und Sonderangebote.

## FRANÇAIS

(Traduction des instructions initiales)

## Utilisation prévue

Votre perceuse à percussion BLACK+DECKER BCD003 a été conçue pour visser et pour percer le bois, le métal et la maçonnerie. Cet outil est destiné à un usage grand public uniquement.

## Consignes de sécurité

### Avertissements de sécurité générale liés aux outils électriques



**Avertissement ! Lisez tous les avertissements et toutes les consignes de sécurité.** Le non-respect des avertissements et des instructions listés ci-dessous peut entraîner des chocs électriques, des incendies et/ou de graves blessures.

**Conservez tous les avertissements et toutes les instructions afin de pouvoir vous y référer dans le futur.** Le terme "outil électrique" mentionné dans tous les avertissements listés ci-dessous fait référence à vos outils électriques branchés sur secteur (avec câble) ou fonctionnant sur pile ou batterie (sans fil).

## 1. Sécurité de la zone de travail

- a. **Maintenez la zone de travail propre et bien éclairée.** Les zones sombres ou encombrées sont propices aux accidents.
- b. **N'utilisez pas d'outils électriques dans un environnement présentant des risques d'explosion ou en présence de liquides, gaz ou poussières inflammables.** Les outils électriques créent des étincelles qui peuvent enflammer les poussières et les fumées.
- c. **Maintenez les enfants et les autres personnes éloignés lorsqu'un outil électrique est en marche.** Toute distraction peut vous faire perdre le contrôle de l'outil.

## 2. Sécurité électrique

- a. **Les prises des outils électriques doivent correspondre à la prise de courant murale. Ne modifiez jamais la prise d'aucune sorte. N'utilisez aucun adaptateur avec des outils électriques reliés à la terre.** L'utilisation de prises d'origine et de prises murales appropriées permet de réduire le risque de choc électrique.
- b. **Évitez tout contact physique avec des surfaces reliées à la terre comme des tuyaux, des radiateurs, des fours et des réfrigérateurs par exemple.** Il y a sinon un risque accru de choc électrique si votre corps est lui-même relié à la terre.
- c. **N'exposez pas les outils électriques à la pluie, ni à l'humidité.** Le risque de choc électrique augmente si de l'eau pénètre dans un outil électrique.
- d. **Ne tirez pas sur le cordon d'alimentation. N'utilisez jamais le cordon pour transporter, tirer ou débrancher l'outil électrique. Maintenez le cordon éloigné de la chaleur, de substances grasses, de bords tranchants ou de pièces mobiles.** Les cordons endommagés ou emmêlés augmentent le risque de choc électrique.
- e. **Si vous utilisez un outil électrique à l'extérieur, utilisez une rallonge homologuée pour les travaux extérieurs.** L'utilisation d'une rallonge électrique homologuée pour les travaux en extérieur réduit le risque de choc électrique.
- f. **Si l'utilisation d'un outil électrique dans un endroit humide est inévitable, utilisez une alimentation électrique protégée par un disjoncteur différentiel à courant résiduel (DDR).** L'utilisation d'un DDR réduit le risque de choc électrique.

## 3. Sécurité des personnes

- a. **Restez vigilant, surveillez ce que vous faites et faites preuve de bon sens lorsque vous utilisez un outil électrique. N'utilisez pas d'outils électriques si vous êtes fatigué ou sous l'influence de drogue, d'alcool ou de médicaments.**

Tout moment d'inattention pendant l'utilisation d'un outil électrique peut engendrer de graves blessures.

- b. **Portez des équipements de protection individuelle. Portez toujours une protection oculaire.** Les équipements de protection comme les masques à poussière, les chaussures de sécurité antidérapantes, les casques ou les protections auditives, utilisés à bon escient, réduisent le risque de blessures.
  - c. **Empêchez tout démarrage intempestif. Assurez-vous que l'interrupteur est en position Arrêt avant de raccorder l'outil à l'alimentation électrique et/ou au bloc-batterie ou avant de ramasser ou de transporter l'outil.** Le fait de transporter les outils électriques le doigt sur l'interrupteur ou d'alimenter les outils électriques dont l'interrupteur est déjà en position de marche augmente le risque d'accidents.
  - d. **Retirez toutes les clés ou pinces de réglage avant de mettre l'outil en marche.** Une clé ou une pince restée fixée sur une pièce rotative de l'outil électrique peut engendrer des blessures.
  - e. **Ne vous penchez pas. Gardez les pieds bien ancrés au sol et conservez votre équilibre en permanence.** Cela permet de mieux maîtriser l'outil électrique en cas de situations imprévues.
  - f. **Portez des vêtements appropriés. Ne portez aucun vêtement ample ou bijou. Gardez vos cheveux, vos vêtements et vos gants éloignés des pièces mobiles.** Les vêtements amples, les bijoux ou les cheveux longs peuvent être happés par les pièces mobiles.
  - g. **Si des dispositifs pour le raccordement d'un extracteur de poussières ou des installations pour la récupération sont présents, assurez-vous qu'ils sont correctement raccordés et utilisés.** L'utilisation de dispositifs récupérateurs de poussières réduit les risques liés aux poussières.
4. **Utilisation et entretien des outils électriques**
    - a. **Respectez la capacité de l'outil. Utilisez l'outil approprié en fonction du travail à réaliser.** Un outil adapté fonctionne mieux, de façon plus sûre et à la cadence pour laquelle il a été conçu.
    - b. **N'utilisez pas l'outil électrique si son interrupteur ne permet pas de l'allumer ou de l'éteindre.** Tout outil électrique qui ne peut plus être commandé par son interrupteur est dangereux et doit être réparé.
    - c. **Débranchez la prise du secteur et/ou retirez le bloc-batterie de l'outil électrique avant d'effectuer tout réglage, de changer un accessoire ou de ranger l'outil électrique.** Ces mesures de sécurité préventives réduisent le risque de démarrage accidentel de l'outil électrique.

- d. **Rangez les outils électriques non utilisés hors de portée des enfants et ne laissez aucune personne ne connaissant pas ces outils ou leurs instructions d'utilisation les faire fonctionner.** Les outils électriques peuvent être dangereux entre des mains inexpérimentées.
- e. **Entretenez vos outils électriques. Vérifiez que les pièces mobiles sont alignées correctement et qu'elles ne sont pas coincées. Vérifiez qu'aucune pièce n'est cassée et contrôlez l'absence de toute autre condition qui pourrait nuire au bon fonctionnement de l'outil. En cas de dommage, faites réparer l'outil électrique avant de l'utiliser.** De nombreux accidents sont provoqués par des outils électriques mal entretenus.
- f. **Maintenez les organes de coupe affûtés et propres.** Des organes de coupe bien entretenus et affûtés sont moins susceptibles de rester coincés et sont plus faciles à contrôler.
- g. **Utilisez l'outil électrique, les accessoires et les embouts d'outils conformément à ces instructions, en tenant compte des conditions de travail, ainsi que du travail à effectuer.** L'utilisation d'un outil électrique à des fins autres que celles pour lesquelles il a été prévu engendre des situations dangereuses.

#### 5. Utilisation et entretien de la batterie de l'outil

- a. **N'effectuez la recharge qu'à l'aide du chargeur spécifié par le fabricant.** Un chargeur adapté pour un type de bloc-batterie peut engendrer un risque d'incendie s'il est utilisé avec un bloc-batterie différent.
- b. **N'utilisez les outils électriques qu'avec les blocs-batteries qui leur sont dédiés.** L'utilisation d'un autre bloc-batterie peut engendrer des blessures et un incendie.
- c. **Lorsque le bloc-batterie n'est pas utilisé, éloignez-le des objets en métal comme les trombones, les pièces de monnaies, les clés, les clous, les vis ou d'autres petits objets métalliques qui pourraient créer un contact entre les deux bornes.** La mise en court-circuit des bornes d'une batterie peut provoquer des brûlures ou un incendie.
- d. **En cas d'utilisation abusive, du liquide peut être éjecté de la batterie. Évitez tout contact avec ce liquide. En cas de contact accidentel, rincez à l'eau. En cas de contact avec les yeux, consultez un médecin.** Le liquide projeté de la batterie peut provoquer des irritations ou des brûlures.

#### 6. Réparation

- a. **Faites réparer votre outil électrique par une personne qualifiée, n'utilisant que des pièces de rechange d'origine.** Cela permet de garantir la sûreté de l'outil électrique.

## Avertissements de sécurité supplémentaires liées aux outils électriques



**Avertissement !** Consignes de sécurité supplémentaires concernant les perceuses

- ◆ **Utilisez les poignées auxiliaires fournies avec l'outil.**  
La perte de contrôle peut provoquer des blessures.
- ◆ **Tenez l'outil par ses surfaces de préhension isolées lorsque vous travaillez dans des zones où l'organe de coupe peut entrer en contact avec des fils électriques cachés.** Tout contact de l'accessoire de coupe avec un fil sous tension peut mettre les parties métalliques exposées de l'outil sous tension et provoquer un choc électrique à l'utilisateur.
- ◆ **Tenez l'outil électrique par les surfaces isolées prévues à cet effet si pendant son utilisation l'élément de fixation peut entrer en contact avec des fils électriques cachés.** Tout contact d'une fixation avec un fil sous tension peut mettre les parties métalliques exposées de l'outil sous tension et provoquer un choc électrique à l'utilisateur.
- ◆ **Utilisez des pinces ou tout autre moyen pratique pour fixer et soutenir l'ouvrage sur une plateforme stable.**  
Tenir l'ouvrage à la main ou contre votre corps le rend instable et peut conduire à une perte de contrôle.
- ◆ Avant de percer des murs, des planchers ou des plafonds, vérifiez l'emplacement des fils électriques et des canalisations.
- ◆ Évitez de toucher le bout d'un foret juste après avoir percé. Il peut être chaud.
- ◆ L'usage prévu est décrit dans ce manuel d'utilisation. L'utilisation d'un accessoire ou d'un équipement non spécifié ou l'utilisation de cet outil à d'autres fins que celles recommandées dans ce manuel d'utilisation présentent un risque de blessures et/ou de dommages matériels.

## Sécurité des personnes

- ◆ Cet outil n'est pas prévu pour être utilisé par des personnes (y compris des enfants) ayant des capacités mentales, sensorielles ou physiques réduites ou par des personnes manquant d'expérience et de connaissances, à moins qu'elles soient encadrées ou qu'elles aient été formées à l'utilisation de l'outil par une personne responsable de leur sécurité.
- ◆ Ne laissez jamais les enfants sans surveillance afin d'éviter qu'ils ne jouent avec l'appareil.

## Risques résiduels

Certains risques résiduels autres que ceux mentionnés dans les avertissements sur la sécurité peuvent survenir en utilisant l'outil.

Ces risques peuvent être provoqués par une utilisation incorrecte, prolongée, etc...

Malgré l'application des normes de sécurité pertinentes et la présence de dispositifs de sécurité, certains risques résiduels ne peuvent pas être évités. Ils comprennent :

- ◆ Les blessures dues au contact avec des pièces rotatives/mobiles.
- ◆ Les blessures dues au remplacement de pièces, de lames ou d'accessoires.
- ◆ Les blessures dues à l'utilisation prolongée d'un outil. Lorsque l'outil est utilisé pendant de longues périodes, assurez-vous de faire des pauses régulières.
- ◆ La diminution de l'acuité auditive.
- ◆ Les risques pour la santé provoqués par l'inhalation des poussières générées pendant l'utilisation de votre outil (exemple : travail avec du bois, surtout le chêne, le hêtre et les panneaux en MDF).

## Vibrations

La valeur des émissions de vibrations déclarée dans la section Caractéristiques techniques et la déclaration de conformité a été mesurée selon une méthode de test standard fournie par la norme EN 60745 et peut être utilisée pour comparer un outil à un autre. La valeur des émissions de vibrations déclarée peut aussi être utilisée pour une évaluation préliminaire de l'exposition.

**Avertissement !** En fonction de la manière dont l'outil est utilisé, la valeur des émissions de vibrations réelles pendant l'utilisation de l'outil peut différer de la valeur déclarée. Le niveau des vibrations peut dépasser le niveau déclaré.

Quand l'exposition aux vibrations est évaluée afin de déterminer les mesures de sécurité requises par la norme 2002/44/CE pour protéger les personnes utilisant régulièrement des outils électriques, cette estimation doit tenir compte des conditions réelles d'utilisation et de la façon dont l'outil est utilisé. Il faut également tenir compte de toutes les composantes du cycle de fonctionnement comme la durée pendant laquelle l'outil est arrêté et quand il fonctionne au ralenti, ainsi que la durée du déclenchement.

## Étiquettes apposées sur l'outil

Outre le code date, les symboles suivants sont apposés sur l'outil :



**Avertissement !** Afin de réduire le risque de blessures, l'utilisateur doit lire le manuel d'utilisation.



Portez des protections auditives pour utiliser une perceuse à percussion. L'exposition au bruit peut provoquer la perte de l'ouïe.

## Consignes de sécurité supplémentaires relatives aux batteries et aux chargeurs

### Batteries

- ◆ Ne tentez jamais de les ouvrir sous aucun prétexte.
- ◆ N'exposez pas les batteries à l'eau.
- ◆ Ne les stockez pas dans des endroits où la température peut dépasser 40°C.
- ◆ Ne les rechargez qu'à une température ambiante comprise entre 10°C et 40°C.
- ◆ N'utilisez que le chargeur fourni avec l'outil.
- ◆ Lors de la mise au rebut des batteries, respectez les instructions données dans la section "Protection de l'environnement".



N'essayez pas de recharger des batteries endommagées.

### Chargeurs

- ◆ N'utilisez votre chargeur BLACK+DECKER que pour recharger la batterie fournie avec l'outil. D'autres batteries pourraient exploser et provoquer des blessures et des dommages.
- ◆ Ne tentez jamais de recharger des piles non rechargeables.
- ◆ Faites immédiatement remplacer les cordons endommagés.
- ◆ N'exposez pas le chargeur à l'eau.
- ◆ N'ouvrez pas le chargeur.
- ◆ Ne sondez pas le chargeur.



Le chargeur est conçu pour être exclusivement utilisé à l'intérieur.



Lisez le manuel d'utilisation avant de l'utiliser.

### Sécurité électrique



Votre chargeur dispose d'une double isolation, aucune liaison à la terre n'est donc nécessaire. Vérifiez toujours que la tension du réseau électrique correspond à la tension figurant sur la plaque signalétique. N'essayez jamais de remplacer le module de charge par une prise secteur ordinaire.

- ◆ Si le câble d'alimentation est endommagé, il doit être remplacé par le fabricant ou par un centre d'assistance agréé BLACK+DECKER afin d'éviter tout risque.

## Caractéristiques

Cet outil dispose de tout ou partie des éléments suivants.

1. Interrupteur variateur de vitesse
2. Curseur de réglage du sens de rotation avant/arrière
3. Bague de réglage du couple
4. Mandrin sans clé
5. Système d'engrenage à deux vitesses
6. Éclairage de travail à LED
7. Batterie
8. Bouton de libération de la batterie

## Assemblage

### Utilisation

**Avertissement !** Laissez l'outil fonctionner à son propre rythme. Ne le poussez pas au-delà de sa limite.

### Recharger la batterie (Fig. A1, A2)

La batterie doit être rechargée avant la première utilisation et chaque fois qu'elle n'apporte plus assez de puissance pour les travaux réalisés sans peine auparavant. La batterie peut devenir chaude pendant la charge. Ceci est un phénomène normal qui ne présente aucun problème.

**Avertissement !** Ne rechargez pas la batterie à une température ambiante inférieure à 10°C ou supérieure à 40°C. La température de charge recommandée est d'environ 24°C.

**Remarque :** Le chargeur ne recharge pas la batterie si la température de la cellule est inférieure à environ 10°C ou supérieure à 40°C.

**La batterie doit rester dans le chargeur qui démarre automatiquement la charge quand la température de la cellule augmente ou diminue.**

- ◆ Branchez le chargeur (9) dans une prise électrique standard de 230 Volts 50 Hz.
- ◆ Insérez le bloc-batterie (7) dans le chargeur comme illustré par les figures A1, A2.



Le voyant (9a) clignote pour indiquer que la batterie est en charge.



La fin de la charge est indiquée par le voyant (9a) restant fixe en continu. Le bloc est alors complètement rechargé et il peut soit être utilisé, soit être laissé dans le chargeur.

**Avertissement !** Risque d'incendie. Au moment de retirer la batterie du chargeur, assurez-vous de d'abord débrancher le chargeur de la prise de courant avant de retirer la batterie du chargeur.

### Diagnostique du chargeur

Ce chargeur a été conçu pour détecter certains problèmes qui peuvent survenir avec les blocs-batteries ou la source d'alimentation.

Les problèmes sont signalés par un voyant clignotant de différentes manières.

### Batterie défectueuse



Le chargeur peut détecter une batterie faible ou endommagée. Le voyant clignote de la façon indiquée sur l'étiquette. Arrêtez la charge de la batterie si vous voyez ce motif de clignotement indiquant que la batterie est défectueuse. Renvoyez-la dans un centre d'assistance ou un site de collecte pour recyclage.

### Délai Bloc chaud/froid



Lorsque le chargeur détecte que la batterie est trop chaude ou trop froide, il démarre automatiquement un délai Bloc Chaud/Froid, suspendant la charge jusqu'à ce que la batterie se stabilise. Après cela, le chargeur passe automatiquement en mode Charge Bloc. Cette fonctionnalité assure une durée de vie maximale de la batterie.

Le voyant clignote de la façon indiquée sur l'étiquette.

### Laisser la batterie dans le chargeur

Le chargeur et le bloc-batterie peuvent restés raccordés en permanence avec le voyant allumé. Le chargeur maintient ainsi le bloc-batterie prêt et complètement rechargé. Ce chargeur dispose d'un mode d'ajustage de précision qui permet d'égaliser ou d'équilibrer les cellules individuelles du bloc-batterie qui lui permet de fonctionner à sa pleine capacité. Les blocs-batteries doivent être ajustés toutes les semaines ou dès que la batterie ne permet plus de réaliser les mêmes tâches qu'auparavant. Pour utiliser le mode d'ajustage automatique, placez le bloc-batterie dans le chargeur et laissez-le ainsi pendant au moins 8 heures.

### Remarques importantes liées à la charge

- ◆ Une durée de vie plus longue et de meilleures performances peuvent être obtenues si le bloc-batterie est rechargé à une température ambiante comprise entre 18° et 24°C. NE RECHARGEZ PAS le bloc-batterie si la température ambiante est inférieure à +4,5°C ou supérieure à +40°C. Ceci est important et permet d'éviter le grave endommagement du bloc-batterie.
- ◆ Le chargeur et le bloc-batterie peuvent devenir chauds au toucher pendant la charge. Ceci est normal et n'indique pas un problème. Afin de faciliter le refroidissement du bloc-batterie après son utilisation, évitez de placer le chargeur ou le bloc-batterie dans un environnement chaud comme une remise métallique ou une remorque non isolée.
- ◆ Si le bloc-batterie ne se recharge pas correctement :
  - ◆ Vérifiez le fonctionnement de la prise murale en y branchant une lampe ou un autre appareil ;

- ◆ Contrôlez que la prise n'est pas reliée à un interrupteur qui coupe l'alimentation quand l'éclairage est éteint
- ◆ Déplacez le chargeur et le bloc-batterie dans un endroit où la température ambiante est comprise entre environ 18°C et 24°C ;
- ◆ Si les problèmes de charge persistent, apportez l'outil, le bloc-batterie et le chargeur à votre centre d'assistance local.
- ◆ Le bloc-batterie doit être rechargé lorsqu'il ne parvient plus à fournir la puissance nécessaire aux opérations qui étaient facilement réalisées auparavant. Cessez D'UTILISER l'outil dans ces conditions. Respectez la procédure de charge. Vous pouvez également recharger un bloc déjà utilisé si vous le souhaitez, sans que cela n'affecte le bloc-batterie.
- ◆ Les corps étrangers de nature conductrice comme notamment et entre autres, les poussières de meulage, les copeaux métalliques, la laine d'acier, les feuilles d'aluminium ou toute autre accumulation de particules métalliques doivent être tenus à distance des cavités du chargeur. Débranchez le chargeur avant de le nettoyer.
- ◆ Ne congélez pas le chargeur et ne l'immergez pas dans l'eau ou dans tout autre liquide.

### Installer et retirer le bloc-batterie dans l'outil (Fig. B)

**Avertissement !** Assurez-vous que le bouton de verrouillage (2) est enclenché pour éviter l'activation de l'interrupteur, avant de retirer ou d'installer la batterie. Pour installer le bloc-batterie :

- ◆ Insérez le bloc-batterie (7) dans l'outil jusqu'à entendre un clic (Fig. B)

### Retirer le bloc batterie de l'outil (Fig. C)

- ◆ Enfoncez le bouton de libération de la batterie (8) comme illustré par la figure C et tirez sur le bloc-batterie pour le sortir de l'outil.

### Instructions d'utilisation

#### Interrupteur à gâchette et bouton d'inversion du sens de rotation (Fig. D)

- ◆ La perceuse est allumée et éteinte en enfonçant et en relâchant la gâchette (1). Plus la gâchette est enfoncée, plus la vitesse de perçage est élevée.
- ◆ Un bouton de commande du sens de rotation (2) permet de définir le sens de rotation de l'outil et il sert également de bouton de verrouillage.
- ◆ Pour sélectionner la rotation en marche avant, relâchez la gâchette et enfoncez le bouton de sélection du sens de rotation vers la gauche.

- ◆ Pour sélectionner le sens de rotation inverse, déplacez le bouton de sélection du sens de rotation dans la direction opposée.

**Remarque :** La position centrale du bouton de commande verrouille l'outil en position d'arrêt. Lors du changement de position du bouton de commande, assurez-vous que la gâchette est bien relâchée.

### Contrôle du couple (Fig. E)

Cet outil est équipé d'une bague de réglage de couple (3) afin de sélectionner le mode de fonctionnement et de paramétrer le couple pour le serrage des vis. Les grandes vis et les matières dures nécessitent un couple de serrage plus élevé que les petites vis et les matières tendres.

- ◆ Pour percer du bois, du métal et du plastique, réglez la bague sur le symbole de perçage
- ◆ Pour visser, réglez la bague sur la position désirée. Si vous ne connaissez pas encore le réglage approprié, procédez comme suit :
  - ◆ Réglez la bague au couple le plus bas.
  - ◆ Vissez la première vis.
  - ◆ Si le mandrin cliquète avant d'avoir atteint le résultat voulu, augmentez le réglage de la bague et continuez le serrage de la vis. Recommencez jusqu'à ce que le réglage correct soit obtenu. Utilisez ce réglage pour les vis restantes.

### Mandrin sans clé (Fig. F)

**Avertissement !** Assurez-vous que le bouton de verrouillage (2) est enclenché pour éviter l'activation de l'interrupteur, avant d'installer ou de retirer les accessoires.

Pour insérer un foret ou un autre accessoire :

- ◆ Dans une main, prenez la moitié arrière du mandrin (4) et avec l'autre, tournez la moitié avant dans le sens inverse des aiguilles d'une montre vue depuis l'extrémité du mandrin.
- ◆ Insérez le foret ou tout autre accessoire complètement dans le mandrin, puis fixez-le fermement en maintenant la moitié arrière du mandrin et en tournant la partie avant dans le sens des aiguilles d'une montre, vu depuis l'extrémité du mandrin.

**Avertissement !** Ne tentez pas de fixer les forets (ou tout autre accessoire) en saisissant la partie avant du mandrin et en mettant l'outil en marche. Cela pourrait endommager le mandrin et provoquer des blessures lors du remplacement d'accessoires.

### Système d'engrenage à deux vitesses (Fig. G)

La fonction Deux vitesses de votre perceuse vous permet de changer de vitesse pour augmenter la polyvalence de l'outil. Pour sélectionner une vitesse lente et un couple élevé (position 1), éteignez l'outil et attendez qu'il s'arrête.

Faites glisser le sélecteur de vitesse vers l'arrière (5) loin du mandrin. Pour sélectionner une vitesse rapide et un couple faible (position 2), éteignez l'outil et attendez qu'il s'arrête. Faites glisser le sélecteur de vitesse vers l'avant (vers le mandrin).

**Remarque :** Ne changez pas de vitesse lorsque l'outil est en marche. En cas de problème pour changer de vitesse, assurez-vous que le sélecteur de vitesse est bien complètement poussé vers l'avant ou vers l'arrière.

### Percer/visser

- ◆ Sélectionnez le sens de rotation avant ou arrière à l'aide du curseur de réglage du sens de rotation (2).
- ◆ Pour mettre l'outil en marche, appuyez sur l'interrupteur (1). La vitesse de l'outil dépend du degré d'enfoncement de l'interrupteur.
- ◆ Pour arrêter l'outil, relâchez l'interrupteur.

### Conseils pour une utilisation optimale Percer

- ◆ N'utilisez que des forets bien aiguisés.
- ◆ Soutenez et fixez l'ouvrage correctement, comme indiqué dans les consignes de sécurité.
- ◆ Utilisez l'équipement de sécurité approprié et nécessaire, comme indiqué dans les consignes de sécurité.
- ◆ Soutenez et fixez la zone de travail correctement, comme indiqué dans les consignes de sécurité.
- ◆ Commencez à percer très lentement, en appliquant peu de pression, jusqu'à ce que le trou soit suffisamment formé pour que le foret ne s'en échappe pas.
- ◆ Appliquez une pression perpendiculaire avec le foret. Exercez suffisamment de pression pour que le foret avance, mais ne poussez pas de manière excessive afin d'éviter que le moteur ne cale ou que le foret ne devie.
- ◆ Maintenez fermement la perceuse avec les deux mains pendant la torsion.
- ◆ **N'ACTIONNEZ PAS LA GÂCHETTE D'UNE PERCEUSE QUI A CALÉ POUR TENTER DE LA DÉMARRER. CELA POURRAIT SINON ENDOMMAGER LA PERCEUSE.**
- ◆ Évitez les calages pendant les percées en réduisant la pression et en perçant doucement la dernière partie du trou.
- ◆ Laissez le moteur tourné en retirant le foret du trou percé. Cela permet d'éviter qu'il se coince.
- ◆ Assurez-vous que l'interrupteur peut allumer et éteindre la perceuse.

### Percer le bois

Le bois peut être percé avec les mêmes forets hélicoïdaux utilisés pour le métal ou avec des mèches plates. Ces forets doivent être aiguisés et fréquemment sortis du trou pendant le perçage afin de supprimer les copeaux des cannelures.

## Percer le métal

Utilisez un lubrifiant de coupe pour percer les métaux. La fonte et le laiton doivent en revanche être percés à sec. Les lubrifiants de coupe qui fonctionnent le mieux sont les huiles de coupe sulfurées ou le saindoux.

## Percer de la maçonnerie

Pour percer de la maçonnerie, réglez la bague (3) sur la position de perçage à percussion en alignant le symbole avec le repère.

Déplacez le sélecteur de vitesse (5) vers l'avant de l'outil (2ème vitesse).

## Visser

- ◆ Choisissez toujours un embout de tournevis de type et de taille appropriés.
- ◆ Si le serrage est difficile, enduisez la vis d'une petite quantité de liquide de vaisselle ou de savon comme lubrifiant.
- ◆ Alignez toujours l'outil et l'embout du tournevis avec la vis

## Dépannage

Problème	Cause possible	Solution possible
La machine ne démarre pas.	Le bloc-batterie n'est pas rechargé.	Vérifiez le besoin en charge du bloc-batterie
Le bloc-batterie ne se recharge pas.	Le chargeur n'est pas branché.  La température ambiante est trop chaude ou trop froide.	Branchez le chargeur dans une prise murale qui fonctionne.  Déplacez le chargeur et le bloc-batterie dans un endroit où la température ambiante est supérieure à 40°F (4,5°C) ou inférieure à 105°F (+40,5°C)
L'appareil s'éteint brusquement.	Le bloc-batterie a atteint sa limite thermique maximum.  Déchargé. (Afin de maximiser la durée de vie du bloc-batterie, il est conçu pour s'arrêter brusquement lorsque la batterie est déchargée).	Laissez le bloc-batterie refroidir.  Placez-le dans le chargeur et laissez-le se recharger.

## Maintenance

Votre outil BLACK+DECKER a été conçu pour fonctionner pendant longtemps avec un minimum d'entretien. Le fonctionnement continu et satisfaisant de l'appareil dépend de son bon entretien et de son nettoyage régulier.

Votre chargeur ne nécessite aucun entretien particulier, à l'exception d'un nettoyage régulier.

**Avertissement !** Avant de réaliser toute tâche de maintenance sur l'outil, retirez la batterie. Débranchez le chargeur avant de le nettoyer.

- ◆ Nettoyez régulièrement les fentes d'aération de votre outil et du chargeur à l'aide d'une brosse souple ou d'un chiffon sec.
- ◆ Nettoyez régulièrement le bloc-moteur à l'aide d'un chiffon humide.  
N'utilisez pas de détergents abrasifs ou à base de solvants.
- ◆ Ouvrez régulièrement le mandrin et tapotez dessus pour éliminer la poussière accumulée à l'intérieur.

## Protection de l'environnement



Tri sélectif. Les produits et batteries marqués de ce symbole ne doivent pas être jetés avec les déchets ménagers.

Les produits et batteries contiennent des matières qui peuvent être récupérées et recyclées afin de réduire la demande en matières premières.

Veillez recycler les produits électriques et les batteries conformément aux dispositions locales en vigueur. Pour plus d'informations, consultez le site [www.2helpU.com](http://www.2helpU.com)

## Données techniques

		BCD003
Tension	$V_{CC}$	18
Vitesse à vide	$\text{Min}^{-1}$	0 - 360/0 - 1400
Couple maxi	Nm	45
Capacité du mandrin	mm	1-10
Capacité maxi de perçage		
Acier/bois/Maçonnerie	mm	10/25/10
Poids	kg	0,9 (1,3 avec batterie)

Chargeur		90589867	90590287-06	90634971
Tension d'entrée	$V_{CA}$	230	230	230
Tension de sortie	$V_{CC}$	18	18	18
Courant	mA	200	400	1A
Durée de charge approximative	Heures	8	3 - 5	1,5

Batterie		BL1518
Tension	$V_{CA}$	18
Capacité	Ah	1,5
Type		Li-Ion

Niveau de pression sonore selon la norme EN 60745 :	
Pression sonore ( $L_{pA}$ )	86,0 dB(A), incertitude (K) 3 dB(A)
Puissance sonore ( $L_{WA}$ )	97,0 dB(A), incertitude (K) 3 dB(A)

Valeurs totales des vibrations (somme vectorielle triaxiale) selon la norme EN 60745 :

Perçage du béton ( $a_{h, D}$ ) 6,8 m/s<sup>2</sup>, incertitude (K) 1,5 m/s<sup>2</sup>

Perçage du métal ( $a_{h, D}$ ) 1,8 m/s<sup>2</sup>, incertitude (K) 1,5 m/s<sup>2</sup>

## Déclaration de conformité CE

### DIRECTIVES MACHINES



BCD003 - Perceuse à percussion

Black & Decker déclare que les produits décrits dans les «Caractéristiques techniques» sont conformes aux normes : 2006/42/CE, EN60745-1:2009+A11:2010, EN60745-2-1:2010, EN60745-2-2:2010.

Ces produits sont également conformes aux Directives 2014/30/UE et 2011/65/UE. Pour plus de détails, veuillez contacter Black & Decker à l'adresse suivante ou consultez la dernière page du manuel.

Le soussigné est responsable de la compilation du dossier technique et fait cette déclaration au nom de Black & Decker.

R. Laverick  
Responsable Ingénierie  
Black & Decker Europe, 210 Bath Road, Slough,  
Berkshire, SL1 3YD  
Royaume-Uni  
05/04/18

## Garantie

Black & Decker est sûr de la qualité de ses produits et offre une garantie de 24 mois aux utilisateurs, à partir de la date d'achat. Cette garantie s'ajoute à vos droits légaux auxquels elle ne porte aucunement préjudice. La garantie est valable sur les territoires des états membres de l'Union européenne et la zone européenne de libre-échange.

Pour prétendre à la garantie, la réclamation doit être conforme aux conditions générales de Black & Decker et vous devez fournir une preuve d'achat au vendeur ou au réparateur agréé.

Les conditions générales de la garantie de 2 ans Black & Decker ainsi que l'adresse du réparateur agréé le plus proche sont disponibles sur le site Internet [www.2helpU.com](http://www.2helpU.com) ou en contactant votre agence Black & Decker locale à l'adresse indiquée dans ce manuel.

Veuillez consulter notre site Internet [www.blackanddecker.co.uk](http://www.blackanddecker.co.uk) pour enregistrer votre nouveau produit Black & Decker et pour être tenu informé des nouveaux produits et offres spéciales.

(Traduzione del testo originale)

ITALIANO

## Uso previsto

Il trapano/avvitatore a percussione BCD003 BLACK+DECKER è stato progettato per avvitare e per eseguire fori in legno, metallo e plastica. Questo elettrostrumento è destinato esclusivamente all'uso privato.

## Istruzioni di sicurezza

### Avvertenze di sicurezza generali per gli elettrostrumenti



**Avvertenza! Leggere attentamente tutte le avvertenze di sicurezza e le istruzioni.** La mancata osservanza delle avvertenze e istruzioni elencate di seguito potrebbe dar luogo a scosse elettriche, incendi e/o lesioni gravi alle persone.

**Conservare tutte le avvertenze e le istruzioni per consultazioni successive.** Il termine "elettrostrumento" che ricorre in tutte le avvertenze seguenti si riferisce a utensili elettrici alimentati attraverso la rete elettrica (con cavo) o a batteria (senza cavo).

### 1. Sicurezza nell'area di lavoro

- a. **Mantenere pulita e bene illuminata l'area di lavoro.** Il disordine o la scarsa illuminazione possono essere causa d'incidenti.
- b. **Evitare di usare gli elettrostrumenti in ambienti esposti a rischio di esplosione, ad esempio in presenza di liquidi, gas o polveri infiammabili.** Gli elettrostrumenti generano scintille che possono incendiare le polveri o i fumi.
- c. **Tenere lontani bambini e altre persone presenti mentre si usa un elettrostrumento.** Eventuali distrazioni possono provocare la perdita di controllo dello stesso.



## 2. Sicurezza elettrica

- a. **Le spine elettriche degli elettrodomestici devono essere adatte alla presa. Non modificare la spina in alcun modo. Non utilizzare spine con adattatore con gli elettrodomestici dotati di messa a terra.** Per ridurre il rischio di scossa elettrica evitare di modificare le spine e utilizzare sempre le prese appropriate.
- b. **Evitare il contatto fisico con superfici collegate a terra, quali tubi, radiatori, forni e frigoriferi.** Se il proprio corpo è collegato a terra, il rischio di scossa elettrica aumenta.
- c. **Non esporre gli elettrodomestici alla pioggia o all'umidità.** Se penetra dell'acqua all'interno dell'elettrodomestico, il rischio di scosse elettriche aumenta.
- d. **Non utilizzare il cavo di alimentazione in modo improprio. Non spostare, tirare o scollegare mai l'elettrodomestico dalla presa tirandolo dal cavo. Tenere il cavo di alimentazione lontano da fonti di calore, olio, bordi taglienti o parti in movimento.** Se il cavo è danneggiato o impigliato, il rischio di scossa elettrica aumenta.
- e. **Se l'elettrodomestico viene utilizzato all'aperto, usare esclusivamente prolunghie omologate per l'impiego all'esterno.** L'uso di un cavo di alimentazione adatto per esterni riduce il rischio di scossa elettrica.
- f. **Se non è possibile evitare di lavorare in una zona umida, usare una rete elettrica protetta da un interruttore differenziale (RCD).** L'uso di un interruttore differenziale riduce il rischio di scossa elettrica.

## 3. Sicurezza delle persone

- a. **È importante concentrarsi su ciò che si sta facendo e maneggiare con giudizio l'elettrodomestico. Non utilizzare un elettrodomestico quando si è stanchi o sotto l'effetto di droghe, alcool o medicinali.** Un solo attimo di distrazione durante l'uso dell'elettrodomestico potrebbe provocare gravi lesioni personali.
- b. **Usare dispositivi di protezione individuale. Indossare sempre dispositivi di sicurezza per gli occhi.** L'uso di dispositivi di protezione, quali mascherine antipolvere, scarpe antinfortunistiche antiscivolo, elmetti o protezioni auricolari in condizioni opportune consente di ridurre le lesioni alle persone.
- c. **Impedire l'avviamento involontario. Accertarsi che l'interruttore di accensione sia nella posizione di spegnimento, prima di collegare l'elettrodomestico alla rete elettrica e/o alla batteria, di prenderlo in mano o di trasportarlo.** Per non esporsi al rischio di incidenti, non trasportare l'elettrodomestico tenendo le dita sull'interruttore e non collegarlo a una fonte di alimentazione elettrica con l'interruttore acceso.
- d. **Prima di accendere un elettrodomestico, rimuovere gli utensili o chiavi di regolazione eventualmente presenti.**

Un utensile di regolazione o una chiave inserito/a su una parte rotante dell'elettrodomestico può provocare lesioni a persone.

- e. **Non sbilanciarsi. Mantenere sempre un appoggio e un equilibrio adeguati.** In tal modo è possibile mantenere un migliore controllo dell'elettrodomestico nelle situazioni impreviste.
  - f. **Vestirsi adeguatamente. Non indossare abiti lenti o gioielli. Tenere i capelli, i vestiti e i guanti lontano dalle parti mobili.** Abiti larghi, gioielli o capelli lunghi possono impigliarsi nelle parti in movimento.
  - g. **Se gli elettrodomestici sono provvisti di attacchi per il collegamento di dispositivi di aspirazione o di raccolta delle polveri, assicurarsi che questi siano installati e utilizzati correttamente.** L'impiego di dispositivi per la raccolta delle polveri può ridurre i pericoli legati a queste ultime.
- ## 4. Uso e cura dell'elettrodomestico
- a. **Non sovraccaricare l'elettrodomestico. Utilizzare l'elettrodomestico adatto per il lavoro da eseguire.** L'elettrodomestico corretto funziona meglio e in modo più sicuro, se utilizzato alla velocità per cui è stato progettato.
  - b. **Non utilizzare l'elettrodomestico se l'interruttore di accensione/spengimento è difettoso.** Qualsiasi elettrodomestico che non possa essere controllato tramite l'interruttore è pericoloso e deve essere riparato.
  - c. **Scollegare la spina dalla presa di corrente e/o la batteria dall'elettrodomestico prima di regolarlo, sostituirne gli accessori o riporlo in magazzino.** Queste misure di sicurezza preventive riducono il rischio di azionare accidentalmente l'elettrodomestico.
  - d. **Quando non vengono usati, gli elettrodomestici devono essere custoditi fuori dalla portata dei bambini. Non consentire l'uso dell'elettrodomestico a persone inesperte o che non abbiano letto le presenti istruzioni d'uso.** Gli elettrodomestici sono pericolosi in mano a persone inesperte.
  - e. **Sottoporre gli elettrodomestici a regolare manutenzione. Verificare che le parti mobili siano correttamente allineate e non inceppate, che non vi siano componenti rotti e che non sussistano altre condizioni che possono compromettere il funzionamento dell'elettrodomestico. Se l'elettrodomestico è danneggiato, farlo riparare prima dell'uso.** Molti incidenti sono provocati da elettrodomestici non sottoposti a corretta manutenzione.
  - f. **Mantenere affilati e puliti gli utensili da taglio.** La manutenzione corretta degli utensili da taglio con bordi affilati riduce le probabilità di inceppamento e ne facilita il controllo.

- g. **Utilizzare l'elettrotensile, gli accessori, le punte, ecc. in conformità alle presenti istruzioni, tenendo conto delle condizioni operative e del lavoro da eseguire.**

L'utilizzo dell'elettrotensile per impieghi diversi da quelli previsti può dare luogo a situazioni di pericolo.

## 5. Uso e cura degli elettrotensili a batteria

- a. **Ricaricare la batteria utilizzando esclusivamente il caricabatterie l'alimentatore specificato dal fabbricante.** Un caricabatterie adatto per un solo tipo di batteria può comportare il rischio d'incendio se usato con una batteria diversa.
- b. **Usare gli elettrotensili esclusivamente con le batterie specificamente concepite per gli stessi.** L'impiego di batterie di tipo diverso potrebbe provocare il rischio di lesioni a persone e incendi.
- c. **Quando la batteria non è in uso, tenerla lontana da altri oggetti metallici, come graffette, monete, chiavi, chiodi, viti o altri oggetti metallici di piccole dimensioni, che potrebbero cortocircuitare un morsetto con l'altro.** Se i morsetti della batteria vengono cortocircuitati potrebbero provocare ustioni o un incendio.
- d. **In condizioni di sovraccarico, dalla batteria potrebbe fuoriuscire del liquido: evitare di toccarlo. In caso di contatto accidentale, risciacquare la pelle con acqua. Se il liquido entra a contatto con gli occhi rivolgersi anche a un medico.** Il liquido che fuoriesce dalla batteria può causare irritazione o ustioni.

## 6. Manutenzione

- a. **Fare riparare l'elettrotensile esclusivamente da personale specializzato e solo utilizzando pezzi di ricambio originali.** In questo modo sarà possibile mantenere la sicurezza dell'elettrotensile.

## Ulteriori avvertenze di sicurezza valide per gli elettrotensili



**Avvertenza!** Ulteriori avvisi di sicurezza per i trapani

- ◆ **Usare le impugnature ausiliarie fornite con l'elettrotensile.** La perdita del controllo può causare lesioni a persone.
- ◆ **Sostenere l'elettrotensile con supporti dotati di superfici isolanti quando si eseguono lavorazioni in cui l'accessorio di taglio potrebbe toccare cavi elettrici nascosti.** Gli accessori da taglio che vengono a contatto con un cavo sotto tensione trasmettono la corrente elettrica anche alle parti metalliche esposte dell'elettrotensile e possono provocare la folgorazione dell'operatore.

- ◆ **Sostenere l'elettrotensile con supporti dotati di superfici isolanti quando si eseguono lavori in cui la parte tagliente potrebbe toccare cavi elettrici nascosti o il cavo di alimentazione dell'elettrotensile.** I dispositivi di fissaggio che vengono a contatto con un cavo sotto tensione trasmettono la corrente elettrica anche alle parti metalliche esposte dell'elettrotensile e possono provocare la folgorazione dell'operatore.
- ◆ **Usare morse o altri metodi pratici per fissare e sostenere il pezzo in lavorazione su una piattaforma stabile.** Tenere il pezzo in lavorazione con le mani o contro il corpo non ne assicura la stabilità e potrebbe comportare la perdita di controllo.
- ◆ Prima di forare pareti, pavimenti o soffitti, controllare l'ubicazione di cavi e tubi.
- ◆ Evitare di toccare l'estremità appuntita di una punta del trapano subito dopo l'uso, perché che potrebbe essere molto calda.
- ◆ L'uso previsto è indicato in questo manuale. L'impiego dell'elettrotensile con accessori o per scopi diversi da quelli raccomandati in questo manuale, potrebbe causare lesioni alle persone e/o danni alle cose.

## Sicurezza altrui

- ◆ Questo elettrotensile non è destinato all'uso da parte di persone (compresi i bambini) con capacità fisiche, sensoriali o mentali ridotte, o prive di esperienza e conoscenze, a meno che non siano sottoposte a sorveglianza o ricevono istruzioni riguardo all'uso dell'elettrotensile da parte di una persona responsabile della loro sicurezza.
- ◆ I bambini devono essere sorvegliati per assicurarsi che non giochino con l'elettrotensile.

## Rischi residui

L'utilizzo dell'apparecchio può comportare rischi residui non necessariamente riportati nelle presenti avvertenze di sicurezza. Tali rischi possono verificarsi a seguito di un uso prolungato o improprio, ecc.

Malgrado il rispetto delle norme di sicurezza pertinenti e l'implementazione di dispositivi di sicurezza, alcuni rischi residui non possono essere evitati. Tali rischi residui includono:

- ◆ lesioni alle persone causate a seguito del contatto con parti rotanti/in movimento;
- ◆ lesioni alle persone causate durante la sostituzione di parti, lame o accessori;
- ◆ lesioni alle persone causate dall'impiego prolungato di un elettrotensile (quando si utilizza qualsiasi apparecchio per lunghi periodi, accertarsi di fare regolarmente delle pause);
- ◆ menomazioni uditive;

- ◆ rischi per la salute causati dall'inalazione di polveri generate durante l'uso dell'elettrotensile (ad esempio quando si lavora con il legno, in modo particolare quello di quercia, faggio o l'MDF).

- ◆ Caricare la batteria utilizzando esclusivamente il caricabatterie fornito con l'elettrotensile.
- ◆ Per lo smaltimento delle batterie, seguire le istruzioni fornite al capitolo "Protezione dell'ambiente".

## Vibrazioni

I valori dichiarati delle emissioni di vibrazioni al paragrafo "Dati tecnici" e nella Dichiarazione di conformità di questo manuale sono stati misurati in base al metodo di prova standard previsto dalla normativa EN 60745 e possono essere usati come parametri di confronto tra due elettrotensili. Il valore delle emissioni di vibrazioni dichiarato può anche essere usato come valutazione preliminare dell'esposizione.

**Avvertenza!** Il valore delle emissioni di vibrazioni durante l'impiego effettivo dell'elettrotensile può variare da quello dichiarato a seconda delle modalità d'uso. Il livello delle vibrazioni può aumentare oltre quello dichiarato.

Quando si valuta l'esposizione alle vibrazioni per determinare le misure di sicurezza richieste dalla normativa 2002/44/CE destinata alla protezione delle persone che utilizzano regolarmente elettrotensili per lo svolgimento delle proprie mansioni, è necessario prendere in considerazione le condizioni effettive di utilizzo e il modo in cui l'elettrotensile viene usato, oltre che tenere conto di tutte le componenti del ciclo operativo, vale a dire i periodi in cui l'elettrotensile rimane spento, quelli in cui è acceso ma fermo e quelli in cui viene effettivamente utilizzato.

## Etichette sull'elettrotensile

Sull'elettrotensile sono presenti i seguenti simboli assieme al codice data:



**Avvertenza!** Per ridurre il rischio di lesioni alle persone l'utilizzatore deve leggere il manuale di istruzioni.



Indossare protezioni acustiche quanto si effettuano lavori con trapani/avvitatori a percussione. L'esposizione al rumore può condurre alla perdita dell'udito.

## Istruzioni di sicurezza aggiuntive riguardanti batterie e caricabatterie

### Batterie

- ◆ Non tentare mai di aprire la batteria per alcun motivo.
- ◆ Non lasciare che la batteria si bagni.
- ◆ Non conservare la batteria in luoghi dove la temperatura potrebbe superare 40 °C.
- ◆ Caricare la batteria solo in ambienti con temperature comprese tra 10°C e 40°C.



Non tentare di caricare batterie danneggiate.

### Caricabatterie

- ◆ Usare il caricabatterie BLACK+DECKER solo per ricaricare la batteria fornita in dotazione con l'elettrotensile. Batterie diverse potrebbero scoppiare, causando lesioni a persone e danni alle cose.
- ◆ Non tentare mai di caricare batterie non ricaricabili.
- ◆ Fare sostituire immediatamente i cavi difettosi.
- ◆ Non esporre il caricabatterie all'acqua.
- ◆ Non aprire il caricabatterie.
- ◆ Non esplorare l'interno del caricabatterie.



Il caricabatterie è destinato esclusivamente all'uso in ambienti interni.



Leggere questo manuale d'istruzioni prima dell'uso.

### Sicurezza elettrica



Il doppio isolamento di cui è provvisto il caricabatterie rende superfluo il filo di terra. Controllare sempre che la tensione di rete corrisponda a quella indicata sulla targhetta dei dati tecnici. Non tentare mai di sostituire il caricabatterie con una normale spina elettrica.

- ◆ In caso di danneggiamento del cavo di alimentazione, è necessario farlo riparare dal fabbricante o presso un centro assistenza BLACK+DECKER autorizzato in modo da evitare pericoli.

### Caratteristiche

Questo elettrotensile presenta alcune o tutte le seguenti caratteristiche.

1. Interruttore (grilletto) di azionamento a velocità variabile
2. cursore di controllo rotazione avanti/indietro
3. Collare per regolazione coppia di serraggio
4. Mandrino portapunta senza chiave
5. Selettore a due velocità
6. Luce di lavoro a LED
7. Batteria
8. Pulsante di rilascio batteria

## Assemblaggio

### Uso

**Avvertenza!** Lasciare che l'elettrotensile funzioni al proprio ritmo. Non sovraccaricarlo.

### Carica della batteria (Figg. A1 e A2)

La batteria deve essere caricata prima dell'impiego iniziale e quando non eroga una potenza sufficiente per svolgere lavori che prima era possibile eseguire facilmente. Durante la carica, la batteria potrebbe riscaldarsi. Si tratta di un fatto normale che non indica la presenza di un problema.

**Avvertenza!** Non caricare la batteria a temperature ambientali inferiori a 10 °C o superiori a 40 °C. La temperatura di carica raccomandata è di circa 24 °C.

**Nota: il caricabatterie non carica una batteria se la temperatura delle celle è inferiore a 10 °C o superiore a 40 °C.**

**La batteria deve essere lasciata nel caricabatterie, che comincerà a caricare automaticamente quando la temperatura delle celle aumenta o diminuisce.**

- ◆ Collegare il caricabatterie (9) a una presa elettrica standard da 230 V, 50 Hz.
- ◆ Inserire la batteria (7) nel caricabatterie, come illustrato nelle Figure A1 e A2.



Il LED (9a) lampeggia mentre la carica della batteria è in corso.



Il completamento della carica è indicato dal LED (9a) che rimane acceso fisso. La batteria a quel punto è completamente carica e può essere utilizzata subito o lasciata nel caricabatterie.

**Avvertenza!** Pericolo d'incendio. Quando si scollega il caricabatterie dalla batteria accertarsi prima di scollegarlo dalla presa di corrente, quindi rimuovere la batteria dal caricabatterie.

### Diagnostica del caricabatterie

Questo caricabatterie è concepito per rilevare determinati problemi che potrebbero verificarsi con le batterie o con la fonte di alimentazione. I problemi sono indicati da un LED che lampeggia secondo schemi differenti.

### Batteria guasta



Il caricabatterie rileva se una batteria è scarica o danneggiata. Il LED lampeggia secondo lo schema indicato sull'etichetta. Se compare il motivo di lampeggiamento che segnala un guasto alla batteria, non continuare a caricarla. Portarla presso un centro di assistenza o un sito di raccolta per il riciclaggio.

### Ritardo per batteria calda/fredda



Quando il caricabatterie rileva una batteria troppo calda o troppo fredda avvia automaticamente la funzione di ritardo per batteria calda/fredda, sospendendo la carica finché la batteria non ha raggiunto la temperatura normale, dopodiché passa automaticamente alla modalità di carica della batteria. Questa funzione assicura la massima durata della batteria. Il LED lampeggia secondo lo schema indicato sull'etichetta.

### Pacco batteria lasciato nel caricabatterie

Il caricabatterie e la batteria possono essere lasciati collegati con il LED acceso per un tempo indefinito. Il caricabatterie mantiene la batteria fresca e completamente carica. Questo caricabatterie è dotato di una modalità di messa a punto automatica, che eguaglia o bilancia le singole celle della batteria, in modo che possa funzionare alla capacità di picco. I pacchi batteria devono essere messi a punto una volta a settimana oppure ogni volta che la batteria non fornisce più la stessa quantità di corrente. Per utilizzare la modalità di messa a punto automatica inserire il pacco nel caricabatterie e lasciarcele per almeno 8 ore.

### Note importanti riguardanti la carica

- ◆ È possibile ottenere la massima durata e le migliori prestazioni se la batteria è carica e la temperatura dell'aria è di 18 - 24 °C. NON caricare la batteria se la temperatura dell'aria è inferiore a +4,5 °C o superiore a +40 °C. Questa precauzione è importante per prevenire gravi danni alla batteria.
- ◆ Il caricabatterie e la batteria possono diventare caldi al tatto durante la carica. Si tratta di un fatto normale che non indica la presenza di un problema. Per facilitare il raffreddamento della batteria dopo l'uso, evitare di posizionare il caricabatterie o la batteria in un ambiente caldo, come ad esempio all'interno di un capannone di metallo o di un rimorchio non isolato.
- ◆ Se la batteria non si carica correttamente:
  - ◆ controllare l'effettivo funzionamento della presa di corrente collegandovi una lampada;
  - ◆ verificare se la presa è collegata a un interruttore della luce e si spegne quando si spengono le luci;
  - ◆ spostare il caricabatterie e la batteria in un luogo in cui la temperatura dell'aria circostante sia di circa 18 °C - 24 °C;
  - ◆ se i problemi di carica persistono, portare l'elettrotensile, la batteria e il caricabatterie presso il centro di assistenza di zona.
- ◆ La batteria deve essere sostituita se non riesce a produrre energia a sufficienza per svolgere lavori che prima venivano eseguiti con facilità. NON CONTINUARE a usarlo in queste o dall'umidità. Seguire la procedura di carica.

È anche possibile caricare una batteria parzialmente utilizzata ogni volta che si desidera, senza alcun effetto negativo sulla batteria stessa.

- ◆ Corpi estranei di natura conduttiva quali, a titolo esemplificativo, ma non esaustivo, polvere di levigatura, schegge metalliche, lana d'acciaio, fogli di alluminio o qualsiasi accumulo di particelle metalliche, devono essere tenuti lontano dalle cavità dell'alimentatore. Scollegare il caricabatterie dalla presa di corrente prima di iniziare a pulirlo.
- ◆ Non congelare né immergere il caricabatterie in acqua o altri liquidi.

### Inserimento e rimozione della batteria dall'elettrotensile (Fig. B)

**Avvertenza!** Verificare che il pulsante di blocco di sicurezza (2) sia attivato per evitare l'azionamento dell'interruttore mentre si inseriscono o estraggono gli accessori. Per installare la batteria:

- ◆ inserire la batteria (7) nell'elettrotensile finché non si avverte un clic (Fig. B).

### Rimuovere la batteria dall'elettrotensile (Fig. C)

- ◆ Premere il pulsante di rilascio della batteria (8) come illustrato nella Fig. C ed estrarre la batteria dall'elettrotensile.

### Istruzioni operative

#### Grilletto di azionamento e cursore di controllo della rotazione all'indietro (Fig. D)

- ◆ Il trapano viene acceso e spento premendo e rilasciando il grilletto di azionamento (1). Maggiore è la pressione esercitata sul grilletto, maggiore è la velocità di rotazione della punta del trapano/avvitatore.
- ◆ Il cursore di controllo della rotazione avanti/indietro (2) determina la direzione di rotazione del cavo e funge anche da pulsante di blocco di sicurezza.
- ◆ Per selezionare la rotazione in avanti, rilasciare il grilletto di azionamento e spostare il cursore di controllo della rotazione avanti/indietro verso sinistra.
- ◆ Per selezionare la rotazione inversa, spostare il cursore di controllo della rotazione avanti/indietro nella direzione opposta.

**Nota:** quando il cursore si trova al centro blocca l'utensile nella posizione di spegnimento. Assicurarsi di avere rilasciato il grilletto di azionamento prima di cambiare la posizione del pulsante di controllo.

#### Controllo della coppia di serraggio (Fig. E)

L'elettrotensile è dotato di un collare per la regolazione della coppia di serraggio (3) che consente di selezionare la modalità operativa e di impostare la coppia di serraggio delle viti.

Le viti di grandi dimensioni e i pezzi in lavorazione di materiale più duro richiedono una coppia di serraggio maggiore rispetto alle viti più piccole e ai pezzi di materiale più tenero.

- ◆ Per forare legno, metallo e plastica, regolare il collare sul simbolo del trapano.
- ◆ Per l'avvitatura, regolarlo sull'impostazione desiderata. Se non si sa ancora quale impostazione usare, procedere come descritto di seguito:
- ◆ regolare il collare sull'impostazione di coppia più bassa;
- ◆ stringere la prima vite;
- ◆ se la frizione scatta prima di aver ottenuto il risultato desiderato, aumentare il valore di impostazione del collare e continuare a stringere la vite; ripetere fino a ottenere l'impostazione corretta; usare questa impostazione per le viti rimanenti.

#### Mandrino portapunta senza chiave (Fig. F)

**Avvertenza!** Verificare che il pulsante di blocco di sicurezza (2) sia attivato per evitare l'azionamento dell'interruttore mentre si inseriscono o estraggono gli accessori.

Per infilare una punta o altri accessori, procedere come descritto di seguito:

- ◆ afferrare la metà posteriore del mandrino portapunta (4) con una mano e usare l'altra per ruotare la metà anteriore in direzione antioraria, vista dall'estremità con il mandrino;
- ◆ infilare completamente la punta o un altro accessorio nel mandrino portapunta e serrare saldamente tenendo ferma la metà posteriore del mandrino e ruotando la parte anteriore in senso orario vista dall'estremità con il mandrino.

**Avvertenza!** Non tentare di serrare le punte (o qualsiasi altro accessorio) afferrando la parte anteriore del mandrino portapunta accendendo l'elettrotensile. Potrebbero verificarsi danni al mandrino e lesioni alle persone.

#### Selettore due velocità (Figura G)

Il selettore a due velocità del trapano/avvitatore consente di cambiare marcia per una maggiore versatilità. Per selezionare l'impostazione a velocità bassa e coppia di serraggio elevata (posizione 1) spegnere l'elettrotensile e lasciarlo fermare. Fare scorrere il selettore a due velocità (5) nella direzione opposta al mandrino portapunta. Per selezionare l'impostazione a velocità alta e coppia di serraggio (posizione 2) spegnere l'elettrotensile e lasciarlo fermare. Fare scorrere il selettore di velocità verso il mandrino portapunta.

**Nota:** non cambiare velocità mentre l'elettrotensile è in funzione. Se si hanno problemi a cambiare velocità assicurarsi che il selettore a due velocità sia spinto tutto avanti o tutto indietro.

## Foratura/Avvitatura

- ◆ Selezionare la rotazione avanti o indietro usando il cursore di controllo rotazione avanti/indietro (2).
- ◆ Per accendere l'elettrotensile, premere l'interruttore (1). La velocità dell'elettrotensile dipende dalla pressione esercitata sull'interruttore.
- ◆ Per spegnere l'elettrotensile, rilasciare l'interruttore.

## Consigli per un utilizzo ottimale

### Foratura

- ◆ Utilizzare solamente punte da trapano affilate.
- ◆ Supportare e fissare il lavoro correttamente, come indicato nelle Istruzioni di sicurezza.
- ◆ Utilizzare i dispositivi di protezione necessari e adeguati, come indicato nelle Istruzioni di sicurezza.
- ◆ Mettere in sicurezza e mantenere l'area di lavoro, come indicato nelle Istruzioni di sicurezza.
- ◆ Far funzionare il trapano molto lentamente, con una leggera pressione, fino a quando il foro è sufficientemente profondo da evitare la fuoriuscita della punta.
- ◆ Esercitare la pressione perpendicolarmente alla punta. Applicare una pressione sufficiente a permettere alla punta di eseguire il foro, ma non eccessiva per non far spegnere il motore o spostare la punta.
- ◆ Tenere saldamente il trapano con due mani per controllarne lo spostamento rotatorio.
- ◆ **NON PREMERE VARIE VOLTE IL GRILLETTO DI AZIONAMENTO DI UN TRAPANO/AVVITATORE CHE SI È BLOCCATO PER TENTARE DI RIAVVIARLO. IL TRAPANO POTREBBE ESSERE DANNEGGIATO.**
- ◆ Contenere al massimo la possibilità di arresto iniziale, riducendo la pressione e azionando il trapano a bassa velocità nell'ultima porzione del foro.
- ◆ Mantenere acceso il motore mentre si estrae la punta dal foro eseguito. In questo modo si riducono gli inceppamenti.
- ◆ Assicurarsi che l'interruttore di accensione/spengimento accenda e spenga il trapano.

### Esecuzione di fori nel legno

I fori nel legno possono essere eseguiti con la stessa punta usata per il metallo o con punta a lancia. Le punte devono essere affilate ed estratte frequentemente per eliminare i trucioli dalle scanalature del trapano.

### Esecuzione di fori nel metallo

Quando si forano metalli utilizzare un lubrificante da taglio. Fanno eccezione la ghisa e l'ottone, che vanno forati a secco. Gli oli da taglio che funzionano meglio di tutto sono l'olio solforato o l'olio di lardo.

## Esecuzione di fori nelle murature

Per eseguire fori nelle murature, regolare il collare (3) nella Posizione di foratura a percussione allineando il simbolo al segno.

Fare scorrere il selettore a due velocità (5) verso la parte anteriore dell'elettrotensile (velocità 2).

## Avvitatura/Svitatura

- ◆ Usare sempre la punta per avvitatura di tipo e misura corretti.
- ◆ Se le viti sono dure da avvitare, versare una piccola quantità di detersivo o sapone per lubrificarle.
- ◆ Tenere sempre l'elettrotensile e la punta di avvitatura in posizione perpendicolare rispetto alla vite.

## Risoluzione dei problemi

Problema	Possibile causa	Possibile soluzione
L'unità non si avvia.	La batteria non è stata caricata.	Controllare i requisiti di carica della batteria
La batteria non si carica.	Il caricabatterie non è collegato a una presa di corrente.  Temperatura dell'aria circostante troppo alta o troppo bassa.	Collegare il caricabatterie a una presa di corrente che funzioni.  Spostare il caricabatterie e la batteria in un luogo con una temperatura dell'aria circostante superiore a 4,5 °C o inferiore a +40,5 °C.
L'unità si spegne improvvisamente.	La batteria ha raggiunto il limite termico massimo.  Carica esaurita (per massimizzare la durata della batteria, essa è progettata per spegnersi improvvisamente quando è scarica).	Attendere che la batteria si raffreddi.  Inserirla nel caricabatterie e attendere che si carichi.

## Manutenzione

Questo elettrotensile BLACK+DECKER è stato concepito per funzionare per un lungo periodo con un minimo di manutenzione. Prestazioni sempre soddisfacenti dipendono da una cura appropriata e da una pulizia regolare.

Il caricabatterie non richiede nessuna manutenzione, ad eccezione di una regolare pulizia.

**Avvertenza!** Prima di eseguire qualsiasi intervento di manutenzione sull'elettrotensile rimuovere le batterie. Scollegare il caricabatterie dalla spina prima di pulirlo.

- ◆ Pulire regolarmente le prese di ventilazione dell'elettrotensile e dell'alimentatore con un pennello o con un panno morbido e asciutto.
- ◆ Il vano del motore deve essere pulito regolarmente con un panno umido.  
Non usare materiali abrasivi o detersivi a base di solventi.

- ◆ Aprire regolarmente il mandrino portapunta e batterlo leggermente per eliminare la polvere dall'interno.

## Protezione dell'ambiente



Raccolta differenziata. I prodotti e le batterie contrassegnati con questo simbolo non devono essere smaltiti con i rifiuti domestici normali.

I prodotti e le batterie contengono materiali che possono essere recuperati o riciclati, riducendo la richiesta di materie prime.

Riciclare i prodotti elettrici e le batterie attenendosi alle disposizioni locali vigenti. Ulteriori informazioni sono disponibili all'indirizzo [www.2helpU.com](http://www.2helpU.com).

## Dati tecnici

		BCD003
Tensione	$V_{CC}$	18
Velocità a vuoto	$\text{Min}^{-1}$	0 - 360/0 - 1400
Coppia max.	Nm	45
Capacità mandrino portapunta	mm	1-10
Capacità di foratura max.		
Acciaio/legno/muratura	mm	10/25/10
Peso	kg	0,9 (con batteria 1,3)

Caricabatteria		90589867	90590287-06	90634971
Tensione in ingresso	$V_{AC}$	230	230	230
Tensione di uscita	$V_{CC}$	18	18	18
Corrente	mA	200	400	1A
Tempo di carica approssimativo	ore	8	3 - 5	1,5

Batteria		BL1518
Tensione	$V_{AC}$	18
Capacità	Ah	1,5
Tipo		Agli ioni di litio

Livello di pressione sonora misurato in base a EN 60745:	
Pressione sonora ( $L_{pA}$ )	86,0 dB(A), incertezza (K) 3 dB(A)
Potenza sonora ( $L_{WA}$ )	97,0 dB(A), incertezza (K) 3 dB(A)

Valori di emissione totali di vibrazioni (somma vettoriale triassiale) in conformità alla norma EN 60745:	
Esecuzione di fori nel metallo ( $a_{h,d}$ )	<6,8 $\text{m/s}^2$ , incertezza (K) 1,5 $\text{m/s}^2$
Esecuzione di fori nel metallo ( $a_{h,d}$ )	<1,8 $\text{m/s}^2$ , incertezza (K) 1,5 $\text{m/s}^2$

## Dichiarazione di conformità CE

DIRETTIVA MACCHINE



BCD003 - Trapano/Avvitatore a percussione

Black & Decker dichiara che i prodotti descritti al paragrafo "Dati tecnici" sono conformi alle seguenti normative: 2006/42/EC, EN60745-1:2009+A11:2010, EN60745-2-1:2010, EN60745-2-2:2010.

Questi prodotti sono conformi alla Direttiva 2014/30/UE e 2011/65/UE. Per maggiori informazioni contattare Black & Decker al seguente indirizzo oppure consultare l'ultima di copertina del manuale.

Il firmatario è responsabile della compilazione del documento tecnico e rende questa dichiarazione per conto di Black & Decker.

R. Laverick  
Responsabile tecnico  
Black & Decker Europe, 210 Bath Road, Slough,  
Berkshire, SL1 3YD  
Regno Unito  
05/04/2018

## Garanzia

Black&Decker è certa della qualità dei propri prodotti e offre ai consumatori una garanzia di 24 mesi dalla data di acquisto. Il presente certificato di garanzia è complementare ai diritti legali e non li pregiudica in alcun modo. La garanzia è valida entro i territori degli Stati membri dell'Unione Europea e entro i confini dell'area europea di libero scambio.

Per attivare la garanzia, la richiesta di intervento e riparazione in garanzia deve essere effettuata in accordo con i Termini e condizioni Black&Decker e sarà necessario presentare la prova di acquisto al venditore o all'agente di riparazione autorizzato.

I Termini e condizioni della garanzia Black & Decker di 2 anni e la sede del tecnico riparatore autorizzato più vicino sono consultabili su Internet all'indirizzo [www.2helpU.com](http://www.2helpU.com), o contattando l'ufficio Black & Decker di zona all'indirizzo indicato in questo manuale.

Visitare il nostro sito [www.blackanddecker.it](http://www.blackanddecker.it) per registrare il prodotto Black & Decker appena acquistato e ricevere gli aggiornamenti su nuovi prodotti e offerte speciali.

## Bedoeld gebruik

De BLACK+DECKER BCD003 - slagboormachine is ontworpen voor toepassingen als in- en uitdraaien van schroeven, het boren in hout, metaal en metselwerk. Dit gereedschap is uitsluitend bedoeld voor gebruik door consumenten.

## Veiligheidsinstructies

### Algemene veiligheidswaarschuwingen voor gebruik van elektrisch gereedschap



**Waarschuwing! Lees alle veiligheidswaarschuwingen en alle instructies.** Wanneer u geen gevolg geeft aan de waarschuwingen en instructies, die hieronder worden vermeld, kan dat leiden tot elektrische schok, brand en/of ernstig persoonlijk letsel.

**Bewaar alle waarschuwingen en instructies, zodat u ze later ook kunt raadplegen.** De term "elektrisch gereedschap" in alle waarschuwingen die hieronder worden vermeld, verwijst naar elektrisch gereedschap met netvoeding (met snoer) of elektrisch gereedschap (snoerloos) dat werkt op een accu.

#### 1. Veiligheid van de werkplek

- a. **Houd uw werkomgeving schoon en goed verlicht.** Op rommelige of donkere plekken zullen sneller ongelukken gebeuren.
- b. **Werk niet met elektrisch gereedschap in explosieve omgevingen, zoals in de aanwezigheid van brandbare vloeistoffen en gassen of brandbaar stof.** In elektrisch gereedschap kunnen vonken ontstaan die het stof of de dampen kunnen doen ontbranden.
- c. **Houd kinderen en omstanders op afstand wanneer u met elektrisch gereedschap werkt.** Wanneer u wordt afgeleid, zou u de controle over het gereedschap kunnen verliezen.

#### 2. Elektrische veiligheid

- a. **De stekker van het gereedschap moet geschikt zijn voor het stopcontact. Pas nooit de stekker op welke manier dan ook aan. Gebruik geen verloopstekkers bij geaard elektrisch gereedschap.** Originele stekkers en bijpassende stopcontacten verminderen het risico van een elektrische schok.
- b. **Vermijd contact met geaarde oppervlakken, zoals leidingen, radiatoren, fornuizen en koelkasten.** Er is een groter risico van elektrische schok als uw lichaam contact heeft met aarde.
- c. **Stel het elektrische gereedschap niet bloot aan regen of natte omstandigheden.**

Water dat het gereedschap binnendringt, verhoogt het risico van een elektrische schok.

- d. **Behandel het snoer voorzichtig. Gebruik het snoer nooit om het gereedschap te dragen of te slepen of om de stekker uit het stopcontact te trekken. Houdt het snoer uit de buurt van warmtebronnen, olie, scherpe randen en bewegende onderdelen.** Beschadigde of verwarde snoeren verhogen het risico van een elektrische schok.
  - e. **Gebruik, wanneer u buiten met elektrisch gereedschap werkt, een verlengsnoer dat geschikt is voor gebruik buitenshuis.** Gebruik van een geschikt verlengsnoer vermindert het risico van een elektrische schok.
  - f) **Als het werken met elektrisch gereedschap op een vochtige locatie onvermijdelijk is, maak dan gebruik van een met een reststroomschakelaar (Residual Current Device - RCD) beveiligde voeding.** Met een RCD wordt het risico van een elektrische schok beperkt.
- ### 3. Persoonlijke veiligheid
- a. **Blijf alert, kijk wat u doet en gebruik uw gezond verstand wanneer u met dit elektrisch gereedschap werkt. Gebruik elektrisch gereedschap niet wanneer u moe bent of onder invloed van verdovende middelen, alcohol of medicatie.** Een ogenblik van onoplettendheid tijdens het werken met elektrisch gereedschap kan leiden tot ernstig persoonlijk letsel.
  - b. **Gebruik een uitrusting voor persoonlijke bescherming. Draag altijd oogbescherming.** Beschermende uitrusting, zoals een stofmasker, anti-slip schoenen, een helm en gehoorbescherming die onder de juiste omstandigheden worden gebruikt, zal persoonlijk letsel beperken.
  - c. **Voorkom dat het gereedschap onbedoeld wordt gestart. Controleer dat de schakelaar in de uit-stand staat en sluit dan pas de stroomvoorziening aan en/of plaats dan pas een accu, pak dan pas het gereedschap op en draag dan pas het gereedschap.** Elektrisch gereedschap dragen met uw vinger op de schakelaar of de stroomvoorziening inschakelen van elektrisch gereedschap dat is ingeschakeld, is vragen om ongelukken.
  - d. **Schakel het elektrisch gereedschap pas in wanneer u een stelsleutel of steeksleutel hebt verwijderd.** Een steeksleutel of een stelsleutel die aan een draaiend deel van het elektrisch gereedschap is bevestigd, kan persoonlijk letsel veroorzaken.
  - e. **Reik niet buiten uw macht. Houd altijd uw voeten goed aan de grond en bewaar te allen tijde uw evenwicht.** Hierdoor kunt u het elektrisch gereedschap beter controleren in onverwachte situaties.



- f. **Draag de juiste kleding. Draag geen losse kleding en geen sieraden. Houd uw haar, kleding en handschoenen weg bij draaiende onderdelen.** Losse kleding, sieraden en lang haar kunnen in bewegende onderdelen verstrikt raken.
- g. **Als er apparaten worden geleverd voor aansluiting van stofafzuiging en -verzameling, zorg er dan voor dat deze worden aangesloten en goed worden gebruikt.** Het gebruik van stofafzuiging kan stof-gerelateerde gevaren beperken.
4. **Gebruik en verzorging van elektrisch gereedschap**
- a. **Oefen niet te veel kracht uit op het elektrisch gereedschap. Gebruik het juiste elektrische gereedschap voor de toepassing.** Het juiste elektrische gereedschap zal de taak beter en veiliger uitvoeren wanneer het wordt gebruikt op de snelheid waarvoor het is ontworpen.
- b. **Gebruik het gereedschap niet als de aan/uit-schakelaar niet goed werkt.** Elektrisch gereedschap dat niet kan worden bediend met de aan/uit-schakelaar is gevaarlijk en moet worden gerepareerd.
- c. **Trek de stekker uit het stopcontact en/of neem de accu uit het elektrisch gereedschap en voer vervolgens pas aanpassingen uit, wissel dan pas accessoires en berg het gereedschap dan pas op.** Zulke preventieve veiligheidsmaatregelen beperken het risico dat het elektrisch gereedschap per ongeluk wordt gestart.
- d. **Berg elektrisch gereedschap dat niet wordt gebruikt, op buiten bereik van kinderen en sta niet toe dat personen die onbekend zijn met het gereedschap of deze instructies met het gereedschap werken.** Elektrisch gereedschap is gevaarlijk in de handen van onervaren gebruikers.
- e. **Onderhoud elektrisch gereedschap goed. Controleer het op verkeerde uitlijning of het aanlopen van bewegende onderdelen, breuk van onderdelen en iedere andere conditie die van invloed kan zijn op de werking ervan. Als het gereedschap is beschadigd, laat het dan repareren voordat u het weer gebruikt.** Veel ongelukken worden veroorzaakt door slecht onderhouden elektrisch gereedschap.
- f. **Houd snij- en zaaggereedschap scherp en schoon.** Goed onderhouden zaaggereedschap met scherpe snijvlakken zal minder snel vastlopen en is gemakkelijker onder controle te houden.
- g. **Gebruik het elektrisch gereedschap, de accessoires en bitjes, enz. in overeenstemming met deze instructies, waarbij u rekening houdt met de werkcondities en het werk dat moet worden uitgevoerd.**

Gebruik van het elektrisch gereedschap voor andere werkzaamheden dan bedoeld kan leiden tot een gevaarlijke situatie.

5. **Gebruik en verzorging van accu-gereedschap**
- a. **Laad het gereedschap alleen op met de lader die door de fabrikant wordt aangegeven.** Een lader die voor één type accu geschikt is kan brand veroorzaken als deze met een andere type accu wordt gebruikt.
- b. **Gebruik elektrisch gereedschap uitsluitend met specifiek aangeduide accu's.** Gebruik van andere batterijen kan een risico van brand doen ontstaan.
- c. **Houd een accu, wanneer deze niet in gebruik is, weg van metalen voorwerpen, zoals paperclips, munten, sleutels, spijkers, schroeven of andere kleine metalen voorwerpen die een verbinding tussen de ene accupool en de andere tot stand kunnen brengen.** Wanneer er kortsluiting tussen accupolen ontstaat, kunnen brand en brandwonden het gevolg zijn.
- d. **Wanneer de accu verkeerd wordt gebruikt, kan er vloeistof uit komen; vermijd contact hiermee. Komt u per ongeluk in contact met deze vloeistof, spoel deze dan af met water. Komt de vloeistof in uw ogen, roep dan ook medische hulp in.** Vloeistof die uit de accu komt, kan irritatie en brandwonden veroorzaken.
6. **Service**
- a. **Laat uw elektrisch gereedschap nazien door een gekwalificeerde monteur die alleen identieke vervangende onderdelen gebruikt.** Zo is gewaarborgd dat de veiligheid van het elektrisch gereedschap behouden blijft.

### Aanvullende veiligheidswaarschuwingen voor gebruik van elektrisch gereedschap



**Waarschuwing!** Aanvullende veiligheidswaarschuwingen voor boormachines

- ◆ **Gebruik de hulphandgrepen die bij het gereedschap worden geleverd.** Verlies van controle kan persoonlijk letsel tot gevolg hebben.
- ◆ **Houd het elektrisch gereedschap vast bij de geïsoleerde greepoppervlakken wanneer u werkzaamheden uitvoert waarbij het zaagaccessoire verborgen bedrading kan raken.** Wanneer het zaagaccessoire in contact komt met bedrading waar spanning op staat, kan er spanning komen te staan op de metalen delen van het elektrisch gereedschap en kan de gebruiker een elektrische schok krijgen.

- ◆ **Houd het elektrisch gereedschap vast bij de geïsoleerde greepoppervlakken wanneer u werkzaamheden uitvoert waarbij het bevestigingsmateriaal verborgen bedrading kan raken.** Wanneer het bevestigingsmateriaal in contact komt met bedrading waar spanning op staat, kan er spanning komen te staan op de metalen delen van het elektrisch gereedschap en kan de gebruiker een elektrische schok krijgen.
- ◆ **Zet met klemmen of op een andere praktische wijze het werkstuk vast en ondersteunen het op een stabiele ondergrond.** Wanneer u het werkstuk met de hand vasthoudt of het tegen uw lichaam drukt, kan het instabiel worden en kunt u de controle verliezen.
- ◆ Controleer, voordat u in wanden, vloeren of plafonds boort, de locatie op de aanwezigheid van bedrading of leidingen.
- ◆ Raak de punt van het boortje niet vlak na het boren aan, omdat het heet kan zijn.
- ◆ Het bedoelde gebruik wordt in deze instructiehandleiding beschreven. Het gebruik van een accessoire of hulpstuk of uitvoering van een handeling met dit gereedschap dat/ die niet in deze instructiehandleiding wordt aanbevolen, kan een risico van persoonlijk letsel en/of materiële schade inhouden.

### Veiligheid van anderen

- ◆ Het is niet de bedoeling dat dit gereedschap wordt gebruikt door personen (waaronder kinderen) met verminderde, fysieke, zintuiglijke of psychische vermogens, of met een gebrek aan ervaring of kennis, tenzij zij toezicht krijgen of instructies over het gebruik van het gereedschap van iemand die verantwoordelijk is voor hun veiligheid.
- ◆ Er moet toezicht op kinderen worden gehouden zodat zij niet met het apparaat kunnen spelen.

### Overige risico's.

Er kunnen zich nog meer risico's voordoen wanneer het gereedschap wordt gebruikt en de bijgesloten veiligheidswaarschuwingen niet in acht worden genomen. Deze risico's kunnen ontstaan door verkeerd gebruik, langdurig gebruik, enz.

Zelfs wanneer de relevante veiligheidsvoorschriften worden toegepast en veiligheidsvoorzieningen worden geïmplementeerd, kunnen bepaalde risico's niet worden voorkomen. Dit zijn onder meer:

- ◆ Verwondingen veroorzaakt doordat roterende/bewegende onderdelen worden aangeraakt.
- ◆ Verwondingen die worden veroorzaakt bij het wisselen van onderdelen, zaagbladen of accessoires.
- ◆ Verwondingen die worden veroorzaakt door langdurig gebruik van het gereedschap.

Wanneer u gereedschap langdurig gebruikt, is het belangrijk dat u regelmatig pauzes inlast.

- ◆ Beschadiging van het gehoor.
- ◆ Gezondheidsrisico's die worden veroorzaakt door het inademen van stof dat ontstaat bij het gebruik van het gereedschap (bijvoorbeeld: werken met hout, vooral eikenhout, beukenhout en MDF).

### Trilling

De verklaarde waarden voor trillingsemissies die worden vermeld in de technische gegevens en de verklaring van conformiteit, zijn gemeten in overeenstemming met een standaard testmethode die door EN 60745 wordt verstrekt, en die kan worden gebruikt voor het vergelijken van het ene gereedschap met het andere. De vermelde waarde voor trillingsemissie kan ook worden gebruikt voor een voorlopige beoordeling van blootstelling.

**Waarschuwing!** De waarde voor trillingsemissie tijdens het feitelijke gebruik van het elektrische gereedschap kan verschillen van de vermelde waarde, afhankelijk van de manieren waarop het gereedschap wordt gebruikt. Het trillingsniveau kan toenemen tot boven het vermelde niveau.

Wanneer de blootstelling aan trillingen wordt beoordeeld met het doel te bepalen welke veiligheidsmaatregelen worden vereist door 2002/44/EC voor het beschermen van personen die tijdens hun werk regelmatig elektrisch gereedschap gebruiken, moet een schatting van de blootstelling aan trillingen in overweging nemen de feitelijke condities waarin en de manier waarop het gereedschap wordt gebruikt, waarbij ook rekening moet worden gehouden met alle onderdelen van de bedrijfscyclus, zoals de tijden dat het gereedschap is uitgeschakeld en wanneer het stationair loopt, in aanvulling op de ingeschakelde tijd.

### Labels op het gereedschap

Naast de datumcode worden de volgende pictogrammen op het gereedschap getoond:



**Waarschuwing!** De gebruiker moet de instructiehandleiding lezen zodat het risico van letsel wordt beperkt.



Draag gehoorbescherming wanneer u werkt met slagboren. Blootstelling aan lawaai kan gehoorbeschadiging veroorzaken.

### Aanvullende veiligheidswaarschuwing voor accu's en laders

#### Accu's

- ◆ Probeer nooit, om welke reden dan ook, de accu open te maken.

- ◆ Stel de accu niet bloot aan water.
- ◆ Berg de accu niet op op plaatsen waar de temperatuur hoger kan worden dan 40 °C.
- ◆ Laad de accu alleen op bij een omgevingstemperatuur van tussen 10 °C en 40 °C.
- ◆ Laad de accu alleen op met de lader die bij het gereedschap is geleverd.
- ◆ Wanneer u accu's wegdoet, volg dan de instructies die worden gegeven in hoofdstuk "Het milieu beschermen".



Probeer niet beschadigde accu's op te laden.

## Laders

- ◆ Gebruik uw BLACK+DECKER-lader uitsluitend voor het opladen van de accu die bij het gereedschap is geleverd. Andere accu's kunnen openbarsten en persoonlijk letsel en materiële schade veroorzaken.
- ◆ Probeer nooit niet-oplaadbare batterijen op te laden.
- ◆ Laat niet goed functionerende snoeren onmiddellijk vervangen.
- ◆ Stel de lader niet bloot aan water.
- ◆ Open of demonteer de lader niet.
- ◆ Steek niet (met) iets in de lader.



De lader is uitsluitend bedoeld voor gebruik door consumenten.



Lees voor gebruik de installatiehandleiding.

## Elektrische veiligheid



De lader is dubbel geïsoleerd, daarom is een aardedraad niet nodig. Controleer altijd dat de stroomvoorziening in overeenstemming is met de spanning op het typeplaatje. Probeer nooit een gewone stekker op de lader te monteren.

- ◆ Is het netsnoer beschadigd, dan moet het worden vervangen door de fabrikant, of een erkend BLACK+DECKER Servicecentrum, zodat een gevaarlijke situatie wordt vermeden.

## Functies

Dit gereedschap omvat enkele of alle van de volgende functies.

1. Schakelaar voor variabele snelheid
2. Schuifknop vooruit/achteruit
3. Stelkraag aanhaalmoment
4. Sleutellose boorkop
5. Verandering voor dubbel bereik
6. LED-werklicht

7. Batterij
8. Accuvrijgaveknop

## Montage

### Gebruik

**Waarschuwing!** Laat het gereedschap op z'n eigen snelheid werken. Overbelast het niet.

### De accu opladen (Afb. A1, A2)

De accu moet voorafgaand aan het eerste gebruik worden opgeladen of wanneer niet voldoende vermogen wordt geleverd voor werkzaamheden die eerder gemakkelijk konden worden uitgevoerd. De accu kan warm worden tijdens het opladen; dit is normaal en wijst niet op een probleem.

**Waarschuwing!** Laad de accu niet op bij temperaturen lager dan 10 °C of hoger dan 40 °C. Aanbevolen laadtemperatuur ongeveer 24 °C.

**Opmerking: De lader zal de accu niet opladen als de celtemperatuur lager is dan ongeveer 10 °C of hoger dan 40 °C.**

**De accu moet in de lader blijven en de lader zal vanzelf de accu beginnen op te laden wanneer de celtemperatuur stijgt of daalt.**

- ◆ Steek de stekker van de lader (9) in een gewoon stopcontact van 230V/50Hz.
- ◆ Schuif de accu (7) in de lader, zoals in afb. A1, A2 wordt getoond.



De LED (9a) gaat knipperen ten teken dat de accu wordt opgeladen.



Wanneer de LED (9a) blijft branden, weet u dat de accu volledig is opgeladen. De accu is volledig opgeladen en kan worden gebruikt of in de acculader blijven zitten.

**Waarschuwing!** Brandgevaar. Wanneer u de accu uit de lader haalt, moet u eraan denken dat u eerst de stekker van de lader uit het stopcontact trekt en dan de accu uit de lader neemt.

### Diagnosefuncties van de lader

Deze lader kan bepaalde problemen detecteren die zich met de accu's of de stroomvoorziening kunnen voordoen. Problemen worden aangeduid door één LED die in verschillende patronen knippert.

### Slechte accu



De accu kan detecteren dat een accu zwak is of beschadigd. De LED knippert in een patroon dat op het label wordt vermeld. Als u dit knipperpatroon van een slechte accu ziet, ga dan niet door met het opladen van de accu.

Breng de accu dan terug naar het servicecentrum of naar een inzamelpunt waar de accu kan worden gerecycled.

### Vertraging Warme/Koude Accu



Wanneer de lader detecteert dat een accu veel te warm of veel te koud is, wordt automatisch een Vertraging Warme/Koude

Accu gestart, en wordt het laden opgeschort tot de accu een normale temperatuur heeft bereikt. Wanneer dat zo is, schakelt de lader automatisch over op de stand Accu Opladen. Deze functie waarborgt een maximale levensduur van de accu.

Het lampje knippert in een patroon dat op het label wordt vermeld.

### De accu in de acculader laten zitten

De accu kan in de lader blijven zitten en de LED zal dan blijven branden. De lader houdt de in goede conditie en volledig opgeladen. Deze lader is voorzien van een automatische opfrisstand die de individuele cellen van de accu op gelijke spanning en in evenwicht houdt zodat de accu maximaal kan presteren. Accu's moeten wekelijks worden opgefriest of wanneer de accu niet meer presteert zoals voorheen. U kunt de automatische opfrisstand gebruiken door de accu in de lader ter plaats en tenminste 8 uur in de lader te laten.

### Belangrijke opmerkingen over opladen

- ◆ De accu kan het langst presteren en de beste prestaties leveren als de accu wordt opgeladen bij een luchttemperatuur van tussen 18 ° – 24 °C. Laad de accu NIET op bij een luchttemperatuur lager dan +4,5 °C of hoger dan +40 °C. Dit is belangrijk en zal voorkomen dat de accu ernstig beschadigd raakt.
- ◆ De lader en de accu zullen tijdens het opladen misschien warm aanvoelen. Dat is normaal en wijst niet op een probleem. U kunt het koelen van de accu na gebruik bevorderen door de lader of de accu niet in een warme omgeving te plaatsen, zoals een metalen loods of een ongeïsoleerde aanhanger.
- ◆ Als de accu niet goed wordt opgeladen:
  - ◆ Controleer de werking van het stopcontact door er een lamp of een ander apparaat op aan te sluiten;
  - ◆ Controleer of het stopcontact misschien is aangesloten op een lichtschakelaar die het stopcontact stroomloos maakt wanneer u de verlichting uitschakelt.
- ◆ Breng de lader en de accu naar een plaats waar de omringende luchttemperatuur ongeveer 18 ° – 24 °C is;
- ◆ Als de problemen met het laden aanhoudende, breng het gereedschap, de accu en de lade dan naar het servicecentrum bij u in de buurt.

- ◆ De accu moet worden opgeladen wanneer de accu niet voldoende vermogen levert voor werkzaamheden die eerder gemakkelijk werden uitgevoerd. GA NIET DOOR met uw werkzaamheden onder dergelijke omstandigheden. Volg de procedure voor het opladen. U kunt ook een gedeeltelijk ontladen accu opladen wanneer u dat wilt, zonder dat dat negatieve gevolgen heeft voor de accu.
- ◆ Materiaal met geleidende eigenschappen zoals, maar niet bij uitsluiting, slijpstof, metaalsnippers, staalwol, aluminiumfolie of een verzameling van metaaldeeltjes moet uit de openingen van de lader worden weggehouden. Trek de stekker van de lader uit het stopcontact voordat u de acculader schoonmaakt.
- ◆ Bescherm de lader tegen vorst en dompel de lader niet onder in water of een andere vloeistof.

### De accu in het gereedschap plaatsen of uit het gereedschap nemen (afb. B)

**Waarschuwing!** Controleer dat de knop voor vergrendeling in de uit-stand (2) is ingeschakeld, zodat de schakelaar niet kan worden bediend, en verwijder of plaats daarna pas de accu.

Accu plaatsen:

- ◆ Steek de accu (7) in het gereedschap zodat u de accu hoort vastklikken (afb. B)

### De accu uit het gereedschap nemen (afb. C)

- ◆ Druk de accuvrijgaveknop (8) in zoals wordt getoond in (afb. C) en trek de accu uit het gereedschap.

### Bedieningsinstructies

#### Aan/uit-schakelaar & omkeerknop (afb. D)

- ◆ De boormachine wordt in- en uitgeschakeld (ON en OFF) door de aan/uit-schakelaar (1) in te trekken en los te laten. Hoe verder de aan/uit-schakelaar wordt ingedrukt, des te hoger is de snelheid van de boormachine.
- ◆ De regelknop (2) voor vooruit/achteruit bepaalt de richting waarin het gereedschap werkt en dient ook als knop voor vergrendeling in de uit-stand.
- ◆ U kunt de voorwaartse draairichting selecteren door de aan/uit-schakelaar los te laten en de knop vooruit/achteruit naar links te drukken.
- ◆ U kunt de draairichting achteruit selecteer een door de regelknop vooruit/achteruit in de tegengestelde richting te drukken.

**Opmerking:** In de middenpositie van de regelknop is het gereedschap vergrendeld in de uit-stand. Wanneer u de stand van de regelknop wijzigt, is het vooral belangrijk dat u de aan/uit-schakelaar loslaat.

## Regeling van het aanhaalmoment (afb. E)

Dit gereedschap is voorzien van een stelkraag aanhaalmoment (3) voor het selecteren van de bedrijfsstand en voor het instellen van het aanhaalmoment voor het aandraaien van schroeven. Grote schroeven en bij werkstukken van hard materiaal is een hogere instelling van het aanhaalmoment nodig dan bij kleine schroeven en zachte materialen.

- ◆ Stel voor het boren in hout, metaal en kunststoffen de kraag op het boorsymbool
- ◆ Zet voor het in- en uitdraaien van schroeven het symbool op de gewenste instelling. Weet u de juiste instelling nog niet, ga dan als volgt te werk:
- ◆ Zet de kraag in de laagste instelling van het aanhaalmoment.
- ◆ Zet de eerste schroef vast.
- ◆ Als de koppeling ratelt voordat het gewenste resultaat is bereikt, zet de kraag dan op een hogere instelling en ga door met het vastzetten van de schroef. Herhaal dit tot u de juiste instelling hebt bereikt. Gebruik deze instelling voor de rest van de schroeven.

## Sleutellose boorkop (afb. F)

**Waarschuwing!** Controleer dat de knop voor vergrendeling in de uit-stand (2) is ingeschakeld, zodat de schakelaar niet kan worden bediend, en verwijder of plaats daarna pas accessoires.

Een boortje of een ander accessoire plaatsen:

- ◆ Pak het achterste gedeelte van de boorkop (4) met één hand vast en draai met uw andere hand het voorste gedeelte naar links, gezien vanaf het uiteinde van de boorkop.
- ◆ Steek het boortje of een andere accessoire geheel in de boorkop, en zet stevig vast door het achterste gedeelte van de boorkop vast te houden en het voorste gedeelte naar rechts te draaien, gezien vanuit het uiteinde van de boorkop.

**Waarschuwing!** Probeer niet boortjes (of een ander accessoire) vast te zetten door het voorste gedeelte van de boorkop vast te pakken en het gereedschap in te schakelen. Dit kan schade van de boorkop en persoonlijk letsel tot gevolg hebben wanneer u accessoires wisselt.

## Dubbele overbrenging (Afbeelding G)

Met de functie Dubbele overbrenging van uw boormachine kunt u een andere vertanding kiezen zodat het gereedschap veelzijdiger kan worden toegepast. U kunt een instelling met een lage snelheid, groot aanhaalmoment (stand 1) kiezen door het gereedschap uit te schakelen en tot stilstand te laten komen. Schuif de knop (5) voor het wijzigen van de overbrenging weg van de boorkop.

U kunt een instelling met een hoge snelheid, laag aanhaalmoment (stand 2) kiezen door het gereedschap uit te schakelen en tot stilstand te laten komen. Schuif de knop voor het wijzigen van de overbrenging naar de boorkop toe.

**Opmerking:** Wijzig de overbrenging niet wanneer het gereedschap loopt. Als het u niet lukt de overbrenging te wijzigen, controleer dan dat de knop voor het wijzigen van de overbrenging geheel naar voren of geheel naar achteren is geduwd.

## Boren/schroeven draaien

- ◆ Selecteer rotatie vooruit of achteruit met de schuifknop vooruit/achteruit (2).
- ◆ U kunt het gereedschap inschakelen door op de schakelaar (1) te drukken. De snelheid van het gereedschap hangt af van hoe ver u de schakelaar indrukt.
- ◆ U kunt het gereedschap uitschakelen door de schakelaar los te laten.

## Wenken voor een optimaal gebruik

### Boren

- ◆ Gebruik uitsluitend scherpe boortjes.
- ◆ Ondersteun het werkstuk goed en zet het goed vast, volgens de instructies in de Veiligheidsinstructies.
- ◆ Gebruik de juiste en vereiste veiligheidsuitrusting, volgens de instructies in de Veiligheidsinstructies.
- ◆ Beveilig en onderhoud het werkgebied, volgens de instructies in de Veiligheidsinstructies.
- ◆ Laat de machine heel langzaam draaien, oefen lichte druk uit, tot het gat diep genoeg is en het boortje niet meer weg kan slippen.
- ◆ Oefen druk uit in een rechte lijn met het boortje. Oefen voldoende druk uit zodat het boortje blijft ingrijpen maar niet zoveel dat de motor tot stilstand komt of de boormachine wegglijdt.
- ◆ Houd de boor stevig met twee handen vast zodat u de draai-actie kunt controleren.
- ◆ **KLIK DE SCHAKELAAR VAN EEN VASTGELOPEN BOORMACHINE NIET AAN EN UIT IN EEN POGING DE MACHINE TE STARTEN. DE BOORMACHINE KAN HIERDOOR BESCHADIGD RAKEN.**
- ◆ Beperk het vastlopen bij het doorboren tot een minimum door de druk te laten afnemen en door het laatste gedeelte van het gat langzaam te boren.
- ◆ Laat de motor lopen terwijl u het boortje uit een geboord gat trekt. Dit helpt vastlopen te voorkomen.
- ◆ Controleer dat u de boormachine met de schakelaar kunt in- en uitschakelen.

### Boren in hout

U kunt er gaten in hout boren met dezelfde boortjes die u voor metaal gebruikt of met een speciale houtboor (speedboor). Deze boren moeten scherp zijn en moeten tijdens het boren vaak uit het gat worden getrokken, zodat de spaanders uit de groeven kunnen ontsnappen.

### Boren in metaal

Gebruik een snijvloeistof wanneer u in metalen boort. De uitzonderingen zijn gietijzer en messing, deze metalen kunnen droog worden geboord. De smeermiddelen voor het boren die het beste werken zijn snij-olie en reuzelolie.

### Boren in metselwerk

Zet voor het boren in metselwerk de kraag (3) in de stand van de hamerboor door het symbool tegenover de markering te zetten.

Schuif de snelheidsselectieknop (5) naar de voorzijde van het gereedschap (2e vertanding).

### Schroevendraaien

- ◆ Gebruik altijd het schroefbit van het juiste type en de juiste afmeting.
- ◆ Als u schroeven moeilijk kunt indraaien, kunt u een kleine hoeveelheid afwasmiddel of zeep als smeermiddel toepassen.
- ◆ Houd het gereedschap en het schroefbit altijd in een rechte lijn met de schroef.

Voortdurend gebruik naar tevredenheid van de gebruiker is afhankelijk van de juiste verzorging en regelmatige reiniging van het gereedschap. De lade vraagt geen onderhoud behalve regelmatige reiniging.

**Waarschuwing!** Verwijder eerst de accu uit het gereedschap en voer daarna pas onderhoudswerk uit. Trek de stekker van de lader uit het stopcontact voordat u begint met schoonmaken.

- ◆ Reinig regelmatig de ventilatie-openingen van het gereedschap en de lader met een zachte borstel of een droge doek.
- ◆ Reinig regelmatig de motorbehuizing met een vochtige doek  
Gebruik niet een schuurmiddel of een reinigingsmiddel op basis van een oplosmiddel.
- ◆ Open regelmatig de boorkop en tik stof uit het binnenste.

### Het milieu beschermen



Separate inzameling. Producten en accu's die voorzien zijn van dit symbool mogen niet bij het gewone huishoudelijke afval worden weggegooid.

Producten en accu's bevatten materialen die kunnen worden teruggewonnen of gerecycled waardoor de vraag naar ruwe grondstoffen wordt vermindert.

Recycle elektrische producten en accu's volgens de ter plaatse geldende bepalingen. Verdere informatie is verkrijgbaar op [www.2helpU.com](http://www.2helpU.com)

### Oplossen van problemen

Probleem	Mogelijke oorzaak	Mogelijke oplossing
Machine start niet.	Accu is niet opgeladen.	Controleer de eisen die aan het laden van de accu worden gesteld
Accu laadt niet op.	De stekker van de lader zit niet in het stopcontact.  Temperatuur van de omgevingslucht is te hoog of te laag.	Steek de stekker van de lader in een stopcontact waar spanning op staat.  Verplaats de lader en de accu naar een ruimte met een luchttemperatuur van hoger dan -4,5°C ) of lager dan +40,5°C
Unit schakelt zichzelf plotseling uit.	Accu heeft de maximale thermische limietwaarde bereikt.  Zonder lading (Voor een maximale levensduur is de accu zo ontworpen dat de unit direct wordt uitgeschakeld wanneer de accu is uitgeput	Laat de accu afkoelen  Plaats de accu op de lader en laat de accu opladen.

### Onderhoud

Het BLACK+DECKER-gereedschap is ontworpen om gedurende lange tijd zijn werk te doen met een minimum aan onderhoud.

### Technische gegevens

		BCD003
Spanning	V <sub>DC</sub>	18
Snelheid onbelast	Min <sup>-1</sup>	0 - 360/0 - 1400
Max. Torsie	Nm	45
Capaciteit van de boorkop	mm	1-10
Maximale boorcapaciteit		
Staal/hout/Metselwerk	mm	10/25/10
Gewicht	kg	0,9 (met accu 1,3)

Lader		90589867	90590287-06	90634971
Ingangsspanning	V <sub>AC</sub>	230	230	230
Uitgangsspanning	V <sub>DC</sub>	18	18	18
Stroom	mA	200	400	1A
Laadtijd ongeev.	Uren	8	3 - 5	1,5

Batterij		BL1518
Spanning	V <sub>AC</sub>	18
Capaciteit	Ah	1,5
Type		Li-Ion

Niveau van de geluidsdruk volgens EN 60745:	
Geluidsdruk (L <sub>pa</sub> )	86,0 dB(A), onzekerheid (K) 3 dB(A)
Geluidsdruk (L <sub>wa</sub> )	97,0 dB(A), onzekerheid (K) 3 dB(A)

Totale vibratiewaarden (triax vectorsom) volgens EN 60745:	
Boren in beton (a <sub>h,d</sub> )	6,8 m/s <sup>2</sup> , onzekerheid (K) 1,5 m/s <sup>2</sup>
Boren in metaal (a <sub>n,d</sub> )	1,8 m/s <sup>2</sup> , onzekerheid (K) 1,5 m/s <sup>2</sup>

**EG-conformiteitsverklaring**  
MACHINERICHTLIJN



BCD003 - Slagboormachine

Black & Decker verklaart dat deze producten beschreven onder "technische gegevens" voldoen aan: 2006/42/EC, EN60745-1:2009+A11:2010, EN60745-2-1:2010, EN60745-2-2:2010.

Deze producten voldoen ook aan de richtlijn 2014/30/EU en 2011/65/EU. Neem voor meer informatie contact op met Black & Decker op het volgende adres of raadpleeg de achterzijde van de handleiding.

Ondergetekende is verantwoordelijk voor de samenstelling van het technische dossier en legt deze verklaring af namens Black & Decker.

R. Laverick  
Engineering Manager  
Black & Decker Europe, 210 Bath Road, Slough,  
Berkshire, SL1 3YD  
United Kingdom  
05/04/2018

**Garantie**

Black & Decker vertrouwt op de kwaliteit van zijn producten en biedt consumenten een garantie van 24 maanden vanaf de aankoopdatum. Deze garantie is een aanvulling op uw wettelijke rechten en treedt op geen enkele wijze in de plaats daarvan. De garantie is geldig in de gebieden van de Lidstaten van de Europese Unie en het Europese Vrijhandelsgebied.

U kunt aanspraak maken op de garantie door de aanspraak op te stellen in overeenstemming met de voorwaarden en condities van Black & Decker en u moet de verkoper of een erkend reparatiemonteur een aankoopbewijs overleggen.

De voorwaarden en condities van de Black & Decker-garantie van 2 jaar en de vestiging van de dichtstbijzijnde erkende reparatiemonteur kunt u opvragen op internet via [www.2helpU.com](http://www.2helpU.com), of door contact op te nemen met het Black & Decker-kantoor ter plaatse, op het adres dat in deze handleiding wordt vermeld.

Bezoek onze website [www.blackanddecker.co.uk](http://www.blackanddecker.co.uk), registreer uw nieuwe Black & Decker-product en ontvang updates over nieuwe producten en speciale aanbiedingen.

**Uso previsto**

Su taladro BLACK+DECKER BCD003 ha sido diseñado para aplicaciones de atomillado y para taladrar en madera, metal y paredes. Esta herramienta está diseñada únicamente para uso del consumidor.

**Instrucciones de seguridad**

**Advertencias de seguridad generales para herramientas eléctricas**



**¡Advertencia! Lea todas las advertencias de seguridad y todas las instrucciones.**

El incumplimiento de las advertencias e instrucciones indicadas a continuación puede provocar una descarga eléctrica, un incendio y/o lesiones graves.

**Guarde todas las advertencias e instrucciones para poder consultarlas en el futuro.** El término "herramienta eléctrica" que aparece en las advertencias se refiere a la herramienta eléctrica que funciona a través de la red eléctrica (con cable) o a la herramienta eléctrica que funciona con batería (sin cable).

1. **Seguridad en la zona de trabajo**
  - a. **Mantenga su área de trabajo limpia y bien iluminada.** Las áreas desordenadas u oscuras pueden provocar accidentes.
  - b. **No utilice herramientas eléctricas en atmósferas explosivas, como ambientes donde haya polvo, gases o líquidos inflamables.** Las herramientas eléctricas originan chispas que pueden inflamar el polvo o los gases.
  - c. **Mantenga alejados a los niños y a las personas que estén cerca mientras utiliza una herramienta eléctrica.** Las distracciones pueden ocasionar que pierda el control.
2. **Seguridad eléctrica**
  - a. **Los enchufes de las herramientas eléctricas deben corresponderse con la toma de corriente. No modifique nunca el enchufe de ninguna forma. No utilice ningún enchufe adaptador con herramientas eléctricas conectadas a tierra.** Los enchufes no modificados y las tomas de corriente correctas reducen el riesgo de descarga eléctrica.
  - b. **Evite el contacto del cuerpo con superficies conectadas a tierra como tuberías, radiadores, cocinas económicas y frigoríficos.** Existe un mayor riesgo de descarga eléctrica si tiene el cuerpo conectado a tierra.
  - c. **No exponga las herramientas eléctricas a la lluvia ni a la humedad.** Si entra agua en una herramienta eléctrica, aumenta el riesgo de descarga eléctrica.
  - d. **No use el cable de alimentación en modo inapropiado. No use nunca el cable para transportar, tirar o desencharar la herramienta eléctrica. Mantenga el cable alejado del calor, aceite, bordes afilados y piezas en movimiento.** Los cables dañados o enredados aumentan el riesgo de descarga eléctrica.
  - e. **Cuando esté utilizando una herramienta eléctrica al aire libre, use un cable alargador adecuado para uso en exteriores.** La utilización de un cable adecuado para el uso en exteriores reduce el riesgo de descarga eléctrica.
  - f. **Si no puede evitar utilizar una herramienta eléctrica en un lugar húmedo, use un suministro protegido con un dispositivo de corriente residual (RCD).** El uso de un dispositivo de corriente residual reduce el riesgo de descarga eléctrica.
3. **Seguridad personal**
  - a. **Manténgase alerta, esté atento a lo que hace y use el sentido común cuando utilice una herramienta eléctrica. No utilice una herramienta eléctrica cuando esté cansado o bajo los efectos de drogas, medicamentos o alcohol.** Un momento de desatención cuando se utilizan herramientas eléctricas puede ocasionar lesiones personales graves.
  - b. **Use un equipo protector personal. Utilice siempre protección ocular.** El uso de equipo protector como mascarillas antipolvo, calzado antideslizante, casco o protección auditiva para condiciones apropiadas reducirá las lesiones personales.
  - c. **Evite la puesta en funcionamiento involuntaria. Asegúrese de que el interruptor esté en posición de apagado antes de conectar la fuente de alimentación y/o la batería o de levantar o transportar la herramienta.** Transportar herramientas eléctricas con el dedo puesto en el interruptor o herramientas eléctricas activadoras que tengan el interruptor encendido puede provocar accidentes.
  - d. **Saque cualquier llave de ajuste o llave inglesa antes de encender la herramienta eléctrica.** Una llave inglesa u otra llave que se deje puesta en una pieza en movimiento de la herramienta eléctrica pueden ocasionar lesiones personales.
  - e. **No alargue demasiado los brazos. Mantenga un equilibrio adecuado y la estabilidad constantemente.** Esto permite un mejor control de la herramienta eléctrica en situaciones inesperadas.
  - f. **Utilice la vestimenta adecuada. No lleve ropa suelta ni joyas. Mantenga el cabello, la ropa y los guantes alejados de las piezas en movimiento.** La ropa suelta, las joyas y el pelo largo pueden quedar atrapados en las piezas en movimiento.
  - g. **Si se suministran dispositivos para la conexión del equipo de extracción y recogida de polvo, asegúrese de que estén conectados y de que se usen adecuadamente.** El uso de equipo de recogida de polvo puede reducir los riesgos relacionados con el polvo.
4. **Uso y cuidado de la herramienta eléctrica**
  - a. **No fuerce la herramienta eléctrica. Use la herramienta eléctrica correcta para su trabajo.** La herramienta eléctrica correcta funcionará mejor y con más seguridad si se utiliza de acuerdo con sus características técnicas.
  - b. **No utilice la herramienta eléctrica si esta no puede encenderse y apagarse con el interruptor.** Cualquier herramienta eléctrica que no pueda controlarse con el interruptor es peligrosa y debe ser reparada.
  - c. **Desconecte el enchufe de la fuente de alimentación y/o la batería de la herramienta eléctrica antes de realizar ajustes, cambiar accesorios o guardar las herramientas eléctricas.** Dichas medidas de seguridad preventivas reducen el riesgo de poner en marcha la herramienta eléctrica accidentalmente.
  - d. **Guarde las herramientas eléctricas que no esté utilizando de forma que estén fuera del alcance de los niños y no permita que las personas que no estén familiarizadas con ella o con estas instrucciones utilicen la herramienta eléctrica.**



Las herramientas eléctricas son peligrosas en manos de personas no capacitadas.

- e. **Realice el mantenimiento de las herramientas eléctricas.** Compruebe si las piezas móviles están desalineadas o bloqueadas, si hay piezas rotas u otras condiciones que puedan afectar al funcionamiento de la herramienta eléctrica. Si la herramienta eléctrica está dañada, llévela a reparar antes de utilizarla. Muchos accidentes se producen por el escaso mantenimiento de las herramientas eléctricas.
  - f. **Mantenga las herramientas afiladas y limpias.** Las herramientas de corte con bordes afilados correctamente mantenidas tienen menos probabilidad de bloquearse y son más fáciles de controlar.
  - g. **Use la herramienta eléctrica, los accesorios y las brocas de la herramienta, etc., de acuerdo con estas instrucciones y teniendo en cuenta las condiciones de trabajo y el trabajo que vaya a realizar.** El uso de la herramienta eléctrica para operaciones que no sean las previstas puede ocasionar una situación peligrosa.
5. **Uso y cuidado de la herramienta con pilas**
    - a. **Recargue la herramienta usando solo el cargador indicado por el fabricante.** Un cargador adecuado para un tipo de baterías puede ocasionar riesgos de incendio si se utiliza con otra batería.
    - b. **Utilice las herramientas eléctricas solo con las baterías especialmente diseñadas.** El uso de cualquier otra batería puede causar riesgo de lesiones e incendio.
    - c. **Cuando la batería no esté en uso, manténgala alejada de otros objetos metálicos tales como grapas para papel, llaves, clavos, las tuercas u otros objetos metálicos pequeños pues puede establecerse una conexión entre los dos terminales.** El cortocircuitado de los terminales de la batería puede provocar quemaduras o incendios.
    - d. **En condiciones abusivas, podrá salir líquido de la batería, evite el contacto. En caso de contacto accidental, lave con agua. Si el líquido entra en contacto con la vista, acuda a un médico.** El líquido expulsado de la batería puede causar irritaciones o quemaduras.
  6. **Servicio**
    - a. **Haga reparar su herramienta eléctrica por una persona cualificada para realizar las reparaciones y que utilice únicamente piezas de repuesto originales.** Así se asegurará que se mantenga la seguridad de la herramienta eléctrica.

### Advertencias de seguridad adicionales para herramientas eléctricas



¡Advertencia! Instrucciones de seguridad adicionales para taladros

- ◆ **Utilice las asas auxiliares suministradas con la herramienta.** La pérdida de control podría provocar daños personales.
- ◆ **Sostenga la herramienta eléctrica por las superficies de agarre aisladas cuando realice una operación en la que el accesorio de corte pueda estar en contacto con un cable oculto.** El contacto de los accesorios de corte con un cable con tensión puede transmitir la tensión a las partes metálicas expuestas de la herramienta eléctrica y producir una descarga eléctrica al operador.
- ◆ **Sostenga la herramienta eléctrica por las superficies de agarre aisladas cuando realice una operación en la que el apretador pueda estar en contacto con un cable oculto.** El contacto de los accesorios de corte con un cable con tensión puede transmitir la tensión a las partes metálicas expuestas de la herramienta eléctrica y producir una descarga eléctrica al operador.
- ◆ **Utilice fijaciones u otro tipo de método para fijar y apoyar la pieza de trabajo en una plataforma estable.** Si sostiene el trabajo con las manos o con su cuerpo estará inestable y podrá hacer que pierda el control.
- ◆ Antes de taladrar las paredes, los suelos o los techos, compruebe la ubicación de los cables y las tuberías.
- ◆ No toque la punta de la broca de taladro justo después de taladrar ya que podría estar caliente.
- ◆ En este manual se describe el uso previsto. El uso de accesorios o acoplamientos o la realización de cualquier operación con esta herramienta que sean distintos de los recomendados en este manual de instrucciones puede dar lugar a lesiones personales y/o daños a la propiedad.

### Seguridad de otras personas

- ◆ Esta herramienta no se destina al uso por parte de personas (incluyendo los niños) con capacidades físicas, sensoriales o mentales reducidas, o que carezcan de experiencia o del conocimiento necesario, a menos que estén supervisadas o reciban las instrucciones relativas al uso del aparato por una persona encargada de su seguridad.
- ◆ Los niños deberán estar siempre vigilados para asegurarse de que no jueguen con el aparato.

### Riesgos residuales

Al utilizar la herramienta, podrían surgir riesgos residuales adicionales que no se incluyan en las advertencias de seguridad incluidas. Estos riesgos pueden surgir por un mal uso, un uso prolongado, etc.

Incluso al aplicar las normas de seguridad pertinentes y al usar los dispositivos de seguridad, existen determinados riesgos residuales que no pueden evitarse. Esto incluye:

- ◆ Lesiones provocadas por el contacto con cualquier pieza giratoria/móvil.
- ◆ Lesiones provocadas al cambiar cualquier pieza, hoja o accesorio.

- ◆ Lesiones provocadas por el uso prolongado de una herramienta. Al usar cualquier herramienta durante periodos prolongados de tiempo, asegúrese de hacer descansos con regularidad.
- ◆ Deterioro auditivo.
- ◆ Daños a la salud provocados por la respiración del polvo desarrollado al utilizar la herramienta (por ejemplo, al trabajar con madera, especialmente haya, roble y MDF.)

### Vibración

Los valores declarados de emisión de vibraciones indicados en los datos técnicos y la declaración de conformidad se han medido de acuerdo con un método de prueba estándar suministrado por EN 60745 y pueden utilizarse para comparar una herramienta con otra. El valor declarado de emisión de vibraciones también puede utilizarse en una evaluación preliminar de exposición.

**¡Advertencia!** El valor de emisión de vibraciones durante el uso real de la herramienta eléctrica puede diferir del valor declarado dependiendo de la forma de uso de la herramienta. El nivel de vibración podría aumentar por encima del nivel indicado.

Al evaluar la exposición a las vibraciones para determinar las medidas de seguridad requeridas por la Directiva 2002/44/CE para la protección de las personas que utilizan habitualmente herramientas eléctricas en su trabajo, debe tenerse en cuenta un cálculo de la exposición a vibraciones, las condiciones reales de uso y la forma de utilización de la herramienta, incluyendo todas las partes del ciclo operativo como las veces que la herramienta está apagada, cuando funciona en vacío y el tiempo de activación.

### Etiquetas en la herramienta

En la herramienta se muestran los siguientes pictogramas, junto con el código de fecha:



**¡Advertencia!** Para reducir el riesgo de lesiones, el usuario debe leer el manual de instrucciones.



Lleve protección acústica cuando utilice taladradoras de impacto.  
La exposición ante ruidos puede provocar la pérdida de audición.

### Instrucciones de seguridad adicionales para baterías y cargadores

#### Baterías

- ◆ Nunca intente abrirlo por ningún motivo.
- ◆ No exponga la batería al agua.
- ◆ No la almacene en lugares donde la temperatura puede exceder los 40 °C.

- ◆ Cárguela únicamente a una temperatura ambiente entre 10 °C y 40 °C.
- ◆ Cárguela únicamente con el cargador provisto con la herramienta.
- ◆ A la hora de desechar las baterías, siga las instrucciones dadas en la sección "Protección del medio ambiente".



No intente recargar baterías deterioradas.

### Cargadores

- ◆ Utilice su cargador BLACK+DECKER únicamente para cargar la batería suministrada con la herramienta. Otras baterías podrían explotar, provocando daños materiales y daños personales.
- ◆ Nunca intente cargar baterías no recargables.
- ◆ Haga que los cables defectuosos sean reemplazados inmediatamente.
- ◆ No exponga el cargador al agua.
- ◆ No abra el cargador.
- ◆ No examine el cargador.



Este cargador está diseñado únicamente para su uso en interiores.



Antes de usarse, lea el manual de instrucciones.

### Seguridad eléctrica



Su cargador está doblemente aislado; por lo tanto, no es necesario ningún cable. Compruebe siempre que la tensión de red corresponda a la indicado en la placa de características. Nunca intente reemplazar la unidad de carga con un enchufe normal.

- ◆ Si el cable de alimentación está dañado, debe ser sustituido por el fabricante o un centro de reparación oficial de BLACK+DECKER con el fin de evitar peligros.

### Características

Esta herramienta incluye alguna de las siguientes características o todas ellas.

1. Interruptor de velocidad variable
2. Deslizador de avance/retroceso
3. Collar de ajuste de par
4. Mandril sin llave
5. Engranaje de doble rango
6. LED - luz de trabajo
7. Batería
8. Botón de liberación de batería

## Montaje

### Uso

¡Advertencia! Deje que la herramienta trabaje a su propio ritmo. No la sobrecargue.

### Carga de la batería (fig. A1, A2)

La batería debe cargarse antes de usarla por primera vez y cada vez que no produzca suficiente energía para trabajos que antes se hacían con facilidad. La batería puede calentarse durante la carga; esto es normal y no indica ningún problema.

¡Advertencia! No cargue la batería a temperaturas inferiores a 10 °C o superiores a 40 °C.

Temperatura de carga recomendada: aprox. 24 °C.

**Nota: El cargador no cargará una batería si la temperatura de la célula es inferior a aprox. -10 °C o superior a 40 °C.**

**La batería debe dejarse en el cargador y el cargador comenzará a cargarse automáticamente cuando la temperatura de la célula aumente o disminuya.**

- ◆ Enchufe el cargador (9) en cualquier toma de corriente eléctrica estándar de 230 voltios 50 Hz.
- ◆ Deslice la batería (7) en el cargador, tal y como se muestra en las fig. A1, A2.



El LED (9a) parpadeará indicando que la batería se está cargando.



Se indicará que la carga ha terminado porque la luz LED (9a) permanecerá encendida de manera continua. La batería estará cargada y se podrá usar o dejar en el cargador.

¡Advertencia! Peligro de incendio. Cuando retire la batería del cargador, asegúrese de desenchufar primero el cargador de la toma de corriente; a continuación, retire el cable de la batería del cargador.

### Diagnósticos del cargador

Este cargador está diseñado para detectar ciertos problemas que pueden producirse con las baterías o la fuente de alimentación. Los problemas se indican mediante un LED parpadeante en diferentes patrones.

### Batería defectuosa



El cargador puede detectar una batería débil o dañada. El LED parpadea en el patrón indicado en la etiqueta. Si ve este patrón de parpadeo de batería defectuosa, no siga cargando la batería. Devuélvalo a un centro de servicio o a un punto de recolección para reciclaje.

### Demora por batería fría/caliente



Cuando el cargador detecta que la batería está demasiado fría o demasiado caliente, inicia automáticamente la demora por batería fría/caliente, suspendiendo la carga hasta que la batería se normalice. Después de que esto suceda, el cargador cambia automáticamente al modo de Carga de Batería. Esta función asegura la máxima vida útil de la batería. La luz parpadea en el patrón indicado en la etiqueta.

### Dejar la batería en el cargador

El cargador y la batería pueden dejarse conectados con el LED iluminado indefinidamente. El cargador mantendrá la batería completamente cargada. Este cargador cuenta con un modo de ajuste automático que iguala o equilibra las células individuales en la batería para permitir que funcione a su capacidad máxima. Las baterías deben ajustarse semanalmente o siempre que la batería ya no proporcione el mismo rendimiento. Para usar el modo de ajuste automático, coloque la batería en el cargador y déjela en este durante al menos 8 horas.

### Notas importantes sobre la carga

- ◆ Pueden obtenerse la vida útil más larga y el mejor rendimiento si la batería se carga cuando la temperatura del aire esté entre 18 ° – 24 °C. NO cargue la batería a una temperatura del aire inferior a +4.5 °C ni superior a +40 °C. Esto es importante y evitará daños graves en la batería.
- ◆ El cargador y la batería pueden calentarse al ser tocados durante la carga. Esto es normal, y no indica que haya un problema. Para facilitar el enfriamiento de la batería después de su uso, evite colocar el cargador o la batería en un ambiente cálido, como en un cobertizo metálico o un remolque sin aislamiento.
- ◆ Si la batería no se carga correctamente:
  - ◆ Compruebe la operación del receptáculo, enchufándolo a una lámpara u otro aparato;
  - ◆ Compruebe si el receptáculo está conectado a un interruptor de luz que apague la energía cuando apague las luces;
  - ◆ Mueva el cargador y la batería a una ubicación donde la temperatura del aire en el entorno se encuentre entre los 18 ° – 24 °C aproximadamente;
  - ◆ Si los problemas de carga persisten, lleve la herramienta, la batería y el cargador a su centro de servicio local.
- ◆ La batería debe recargarse cuando esta no produzca suficiente potencia en trabajos que previamente podía realizar con facilidad. NO CONTINÚE utilizándola en estas condiciones. Siga el procedimiento de carga. También puede cargar una batería usada parcialmente cuando lo desee, sin ningún efecto adverso en la batería.

- ◆ Los materiales extraños de naturaleza conductora, tales como (pero no limitado a) polvo de esmerilado, virutas de metal, lana de acero, papel de aluminio, o cualquier acumulación de partículas metálicas deberá mantenerse alejado de las cavidades del cargador. Desenchufe el cargador antes de intentar limpiarlo.
- ◆ No congele ni sumerja el cargador en agua ni en ningún otro líquido.

### Instalar y retirar de la batería de la herramienta (fig. B)

**¡Advertencia!** Asegúrese de que el botón de bloqueo (2) esté activado para evitar el accionamiento del interruptor antes de retirar o instalar la batería.

Para instalar una batería:

- ◆ Inserte la batería (7) en la herramienta, hasta que pueda oír un clic audible (fig. B)

### Retirar de la batería de la herramienta (fig. C)

- ◆ Presione el botón de extracción de la batería (8) tal y como se muestra en la (fig. C) y extraiga la batería de la herramienta.

### Instrucciones de funcionamiento

#### Interruptor de disparador y botón de marcha atrás (fig. D)

- ◆ El taladro se enciende y apaga tirando y soltando el interruptor de disparador (1). Cuanto más se presione el interruptor, mayor será la velocidad del taladro.
- ◆ Un botón de control de avance/retroceso (2) determina la dirección de la herramienta y también sirve como botón de desbloqueo.
- ◆ Para seleccionar el giro hacia delante, suelte el interruptor de tipo paleta y pulse el botón de control de avance/retroceso a la izquierda.
- ◆ Para seleccionar el sentido de retroceso, pulse el botón de control de avance/retroceso en la dirección contraria.

**Nota:** La posición central del botón de control bloquea la herramienta en posición de apagado. Cuando cambie la posición del botón de control, compruebe que ha soltado el interruptor.

#### Control de par (fig.E)

Esta herramienta está equipada con un collar de ajuste de par (3) para seleccionar el modo de funcionamiento y para establecer el par de apriete de los tornillos. Los tornillos grandes y los materiales duros de la pieza de trabajo requieren un ajuste de par mayor que los tornillos pequeños y los materiales de la pieza de trabajo blandos.

- ◆ Para taladrar en madera, metal y plásticos, coloque el collar en el símbolo de posición de perforación.

- ◆ Para atornillar, ajuste el collar en la configuración deseada. Si aún no conoce el ajuste adecuado, proceda de la siguiente manera:
- ◆ Fije el collar en la configuración de par más baja.
- ◆ Apriete el primer tornillo.
- ◆ Si el acoplamiento hace un trinquete antes de conseguir el resultado deseado, aumente el ajuste del collar y siga apretando el tornillo. Repita esto hasta llegar al ajuste correcto. Utilice este ajuste para los tornillos restantes.

#### Mandril sin llave (fig. F)

**¡Advertencia!** Asegúrese de que el botón de bloqueo (2) esté activado para evitar el accionamiento del interruptor antes de retirar o instalar los accesorios.

Para introducir una broca u otro accesorio:

- ◆ Sujete la mitad trasera del mandril (4) con una mano y utilice la otra mano para girar la mitad delantera en el sentido contrario a las agujas del reloj, visto desde el extremo del mandril.
- ◆ Inserte la broca u otro accesorio completamente en el mandril, y apriételo firmemente, sujetando la mitad posterior del mandril y girando la parte delantera en el sentido de las agujas del reloj, visto desde el extremo del mandril.

**¡Advertencia!** No intente apretar las puntas de brocas (ni cualquier otro accesorio) agarrando la parte frontal del mandril y encendiendo la herramienta. Podría provocar daños al mandril y daños personales al cambiar los accesorios.

#### Engranaje de doble rango (figura G)

La función de doble serie de su taladro le permite aumentar las velocidades para gozar de una mayor versatilidad.

Para seleccionar la velocidad baja, con un valor de par alto (posición 1), apague la herramienta y deje que se detenga. Deslice el botón de la palanca de engranajes (5) lejos del mandril. Para seleccionar la velocidad alta, con un valor de par bajo (posición 2), apague la herramienta y deje que se detenga.

Deslice el botón de la palanca de engranajes hacia del mandril.

**Nota:** No cambie las velocidades cuando la herramienta esté funcionando. Si registra algún problema a la hora de cambiar las velocidades, compruebe que el botón de engranajes de doble serie está completamente colocado hacia delante o completamente hacia atrás.

#### Perforación/atornillamiento

- ◆ Seleccione la rotación hacia adelante o hacia atrás utilizando el deslizador de avance/retroceso (2).
- ◆ Para encender la herramienta, presione el interruptor (1). La velocidad de la herramienta depende de lo lejos que presione el interruptor.
- ◆ Para apagar la herramienta, suelte el interruptor.

## Consejos para un uso óptimo

### Taladrado

- ◆ Utilice solo puntas de broca afiladas.
- ◆ Apoye y asegure el trabajo correctamente, tal y como se indica en las Instrucciones de seguridad.
- ◆ Use el equipo de seguridad apropiado y requerido, tal y como se indica en las Instrucciones de seguridad.
- ◆ Asegure y mantenga el área de trabajo, tal y como se indica en las Instrucciones de seguridad.
- ◆ Opere el taladro muy lentamente, usando una presión ligera, hasta que el orificio sea lo suficientemente grande para evitar que la broca se salga de él.
- ◆ Aplique siempre la presión en línea recta con la broca. Aplique suficiente presión para mantener la posición de la broca, pero no aplique tanta presión como para atrancar el motor o romper la broca.
- ◆ Sostenga el taladro firmemente con las dos manos para controlar su acción de giro de la broca.
- ◆ **NO PRESIONE EL ACTIVADOR DE UN TALADRO ATASCADO PARA INTENTAR INICIARLO. ESTO PODRÍA CAUSAR DAÑOS EN EL TALADRO.**
- ◆ Minimice el estancamiento al avanzar reduciendo la presión y taladrando lentamente en la última parte del orificio.
- ◆ Mantenga el motor en funcionamiento mientras saca la broca de un orificio perforado. Esto hará que se atasque menos.
- ◆ Asegúrese de que el interruptor enciende y apaga el taladro.

### Perforación en madera

Los orificios en madera pueden realizarse con las mismas brocas helicoidales utilizadas para el metal o con brocas de pica. Estas brocas deben estar afiladas y deben extraerse con frecuencia al taladrar para despejar las virutas de las ranuras.

### Perforación en metal

Utilice un lubricante de corte cuando perfora metales. Las excepciones son el latón y la fundición, que deberán perforarse en seco. Los lubricantes de corte que mejor funcionan son el aceite de corte sulfurado o aceite de colza.

### Perforación en paredes

Para taladrar en paredes, coloque el collar (3) en la posición de perforación del martillo, alineando el símbolo con la marca. Deslice el selector de velocidad (5) hacia la parte delantera de la herramienta (2ª marcha).

### Atornillado

- ◆ Utilice siempre el tipo y tamaño correctos de la punta del destornillador.

- ◆ Si los tornillos son difíciles de apretar, intente aplicar una pequeña cantidad de líquido de lavado o jabón como lubricante.
- ◆ Mantenga siempre la herramienta y la punta del destornillador en línea recta con el tornillo

## Solución de problemas

Problema	Posible causa	Posible solución
La unidad no se enciende.	La batería no está cargada.	Compruebe los requisitos de carga de la batería
La batería no se carga.	El cargador no está enchufado.  Temperatura ambiente demasiado alta o baja.	Enchufe el cargador en una toma de corriente que funcione.  Lleve el cargador y la batería a un entorno con una temperatura del aire de más de 40 grados F (4,5 °C) o menos de 105 grados F (+40,5 °C)
La unidad se apaga abruptamente.	La batería ha alcanzado su límite térmico máximo.  Sin carga. (Para maximizar la vida útil de la batería, esta ha sido diseñada para apagarse abruptamente cuando la carga se agote)	Deje que la batería se enfríe.  Colóquela en el cargador y deje que se cargue.

## Mantenimiento

Su herramienta BLACK+DECKER ha sido diseñada para funcionar mucho tiempo con un mantenimiento mínimo. El funcionamiento satisfactorio continuo depende del buen cuidado de la herramienta y de una limpieza frecuente. El cargador no requiere ningún mantenimiento, salvo la limpieza periódica.

**¡Advertencia!** Antes de efectuar cualquier mantenimiento en la herramienta, extraiga la batería de esta. Desenchufe el cargador antes de limpiarlo.

- ◆ Limpie periódicamente las ranuras de ventilación de la herramienta y el cargador con un cepillo suave o un paño seco.
- ◆ Limpie periódicamente la carcasa del motor con un paño húmedo.  
No utilice discos abrasivos o limpiadores a base de solvente.
- ◆ Abra habitualmente el portabrocas y golpéelo ligeramente para eliminar cualquier resto de polvo del interior.

## Protección del medioambiente



Recogida selectiva. Los productos y baterías marcados con este símbolo no deben eliminarse con la basura normal.

Los productos y las baterías contienen materiales que pueden ser recuperados o reciclados, reduciendo así el uso de materias primas.

Por favor, recicle los productos eléctricos y las baterías de acuerdo con la normativa local. Puede obtener más información en [www.2helpU.com](http://www.2helpU.com)

Black & Decker declara que los productos descritos bajo "datos técnicos" son conformes a las normas: 2006/42/EC, EN60745-1:2009+A11:2010, EN60745-2-1:2010, EN60745-2-2:2010.

**Datos técnicos**

		BCD003	
Tensión	V <sub>DC</sub>	18	
Velocidad en vacío	Min <sup>-1</sup>	0 - 360/0 - 1400	
Par máx.	Nm	45	
Capacidad del mandril	mm	1-10	
Capacidad máx. de taladrado			
Acero/madera/Paredes	mm	10/25/10	
Peso	kg	0.9 (con batería 1.3)	

Cargador de baterías		90589867	90590287-06	90634971
Voltaje de entrada	V <sub>AC</sub>	230	230	230
Tensión de salida	V <sub>DC</sub>	18	18	18
Corriente	mA	200	400	1A
Tiempo aproximado de recarga	Horas	8	3 - 5	1.5


Batería		BL1518	
Tensión	V <sub>AC</sub>	18	
Capacidad	Ah	1.5	
Tipo		Litio-ión	

Nivel de presión acústica según EN 60745:	
Presión acústica (L <sub>PA</sub> )	86,0 dB(A), incertidumbre (K) 3 dB(A)
Potencia acústica (L <sub>WA</sub> )	97,0 dB(A), incertidumbre (K) 3 dB(A)

Valores totales de vibración (suma de vectores teniendo en cuenta los tres ejes) de acuerdo con la norma EN 60745:	
Perforación en hormigón (a <sub>h,D</sub> )	6.8 m/s <sup>2</sup> , incertidumbre (K) 1,5 m/s <sup>2</sup>
Taladro de impacto en metal (a <sub>i,D</sub> )	1,8 m/s <sup>2</sup> /incertidumbre (K) 1,5 m/s <sup>2</sup>

Estos productos son conformes también a las Directrices 2014/30/EU y 2011/65/EU. Si desea más información, póngase en contacto con Black & Decker en la dirección indicada a continuación o bien consulte la parte posterior de este manual.

El que suscribe es responsable de la compilación del archivo técnico y realiza esta declaración en representación de Black & Decker.



R. Laverick  
 Engineering Manager  
 Black & Decker Europe, 210 Bath Road, Slough,  
 Berkshire, SL1 3YD  
 Reino Unido  
 15/03/2018

**Garantía**

Black & Decker confía en la calidad de sus productos y ofrece a los consumidores una garantía de 24 meses a partir de la fecha de compra. Esta garantía es complementaria y en ningún caso afectará a sus derechos estatutarios. La garantía es válida dentro de los territorios de los Estados Miembros de la Unión Europea y del Área de Libre Comercio Europea.

Para reclamar la garantía, la reclamación debe cumplir los términos y condiciones de Black&Decker y usted deberá remitir el comprobante de la compra al vendedor o al centro oficial de reparación.

Puede consultar las condiciones de la garantía de 2 años de Black & Decker y la ubicación más cercana de su centro oficial de reparación en [www.2helpU.com](http://www.2helpU.com) o contactando con su oficina local de Black & Decker en la dirección indicada en este manual.

Visite nuestra página web [www.blackanddecker.co.uk](http://www.blackanddecker.co.uk) para registrar su nuevo producto de Black & Decker y recibir noticias de nuevos productos y ofertas especiales.

**Declaración de conformidad CE**  
 DIRECTIVA SOBRE MÁQUINAS



BCD003 - Taladro de impacto

## Utilização pretendida

A perfuradora de impacto BLACK+DECKER BCD003 foi concebida para aparafusamento e perfuração em madeira, metal e alvenaria. Esta ferramenta foi concebida apenas para utilização por consumidores.

## Instruções de segurança

### Avisos de segurança gerais relativos a ferramentas eléctricas



**Atenção! Leia todos os avisos de segurança e todas as instruções.** O não seguimento dos avisos e das instruções indicados abaixo poderá resultar em choque eléctrico, incêndio e/ou ferimentos graves.

**Guarde todos os avisos e instruções para futura referência.** Em todos os avisos que se seguem, o termo “ferramenta eléctrica” refere-se à sua ferramenta alimentada pela rede eléctrica (com fios) ou por uma bateria (sem fios).

#### 1. Segurança na área de trabalho

- a. **Mantenha a área de trabalho limpa e bem iluminada.** As áreas desorganizadas ou escuras são propensas a acidentes.
- b. **Não utilize as ferramentas eléctricas em ambientes explosivos, como, por exemplo, na presença de líquidos, gases ou poeiras inflamáveis.** As ferramentas eléctricas criam faíscas que poderão inflamar estas poeiras ou vapores.
- c. **Mantenha as crianças e outras pessoas à distância quando utilizar a ferramenta eléctrica.** As distrações podem levar à perda do controlo da ferramenta.

#### 2. Segurança eléctrica

- a. **As fichas das ferramentas eléctricas têm de ser compatíveis com a tomada de electricidade. Nunca modifique a ficha de forma alguma. Não utilize fichas adaptadoras com ferramentas eléctricas ligadas à terra.** As fichas não modificadas e as tomadas compatíveis reduzem o risco de choque eléctrico.
- b. **Evite o contacto corporal com superfícies e equipamentos ligados à terra, como, por exemplo, tubagens, radiadores, fogões e frigoríficos.** Se o seu corpo estiver “ligado” à terra, o risco de choque eléctrico é maior.
- c. **Não exponha as ferramentas eléctricas à chuva ou a condições de humidade.** A entrada de água numa ferramenta eléctrica aumenta o risco de choque eléctrico.
- d. **Não aplique força excessiva no cabo. Nunca o utilize para transportar, puxar ou desligar a ferramenta eléctrica.**

**Mantenha o cabo afastado de fontes de calor, substâncias oleosas, extremidades aguçadas ou peças móveis.** Os cabos danificados ou emaranhados aumentam o risco de choque eléctrico.

- e. **Ao utilizar uma ferramenta eléctrica no exterior, use uma extensão adequada para utilização ao ar livre.** A utilização de um cabo adequado para uso ao ar livre reduz o risco de choque eléctrico.
  - f. **Se não for possível evitar trabalhar com uma ferramenta eléctrica num local húmido, utilize uma fonte de alimentação protegida por um dispositivo de corrente residual (DCR).** A utilização de um DCR reduz o risco de choque eléctrico.
- #### 3. Segurança pessoal
- a. **Mantenha-se atento, preste atenção ao que está a fazer e faça uso de bom senso ao operar uma ferramenta eléctrica. Não utilize a ferramenta eléctrica quando estiver cansado ou sob o efeito de drogas, álcool ou medicamentos.** Um momento de distração durante a utilização de ferramentas eléctricas poderá resultar em ferimentos graves.
  - b. **Use equipamento de protecção pessoal. Use sempre protecção ocular.** O equipamento de protecção, como, por exemplo, uma máscara contra o pó, sapatos de segurança antiderrapantes, um capacete de segurança ou uma protecção auditiva, usado nas condições apropriadas, reduz o risco de ferimentos.
  - c. **Evite accionamentos acidentais. Certifique-se de que o interruptor da ferramenta está na posição de desligado antes de a ligar à tomada de electricidade e/ou inserir a bateria, ou antes de pegar ou transportar a ferramenta.** Se mantiver o dedo sobre o interruptor ao transportar ferramentas eléctricas ou se as ligar à fonte de alimentação com o interruptor ligado, poderá originar acidentes.
  - d. **Retire qualquer chave de ajuste ou chave de porcas antes de ligar a ferramenta eléctrica.** Uma chave de porcas ou chave de ajuste deixada numa peça móvel da ferramenta poderá resultar em ferimentos.
  - e. **Não se estique demasiado ao trabalhar com a ferramenta. Mantenha sempre os pés bem apoiados e um equilíbrio apropriado.** Desta forma, será mais fácil controlar a ferramenta eléctrica em situações inesperadas.
  - f. **Use vestuário adequado. Não use roupa larga ou jóias. Mantenha o cabelo, a roupa e as luvas afastados das peças móveis.** As roupas largas, as jóias ou o cabelo comprido podem ficar presos nestas peças.
  - g. **Se forem fornecidos acessórios para a ligação de equipamentos de extracção e recolha de partículas, certifique-se de que estes são ligados e utilizados correctamente.**

A utilização de dispositivos de extracção de partículas pode reduzir os riscos relacionados com as mesmas.

**4. Utilização e cuidados a ter com a ferramenta**

- a. **Não utilize a ferramenta eléctrica de forma forçada. Utilize a ferramenta eléctrica correcta para o seu trabalho.** A ferramenta eléctrica adequada irá efectuar o trabalho de um modo mais eficiente e seguro se for utilizada de acordo com a capacidade para a qual foi concebida.
- b. **Não utilize a ferramenta eléctrica se o interruptor não a ligar e desligar.** Qualquer ferramenta eléctrica que não possa ser controlada através do interruptor de alimentação é perigosa e tem de ser reparada.
- c. **Retire a ficha da tomada de electricidade e/ou a bateria da ferramenta eléctrica antes de efectuar quaisquer ajustes, substituir acessórios ou guardar a ferramenta.** Estas medidas de segurança preventivas reduzem o risco de ligar a ferramenta eléctrica acidentalmente.
- d. **Guarde as ferramentas eléctricas que não estiverem a ser utilizadas fora do alcance de crianças e não permita que sejam utilizadas por pessoas não familiarizadas com as mesmas ou com estas instruções.** As ferramentas eléctricas são perigosas nas mãos de pessoas que não possuam as qualificações necessárias para as manusear.
- e. **Faça a devida manutenção das ferramentas eléctricas. Verifique se as peças móveis da ferramenta eléctrica estão alinhadas e não emperram, bem como se existem peças partidas ou danificadas ou quaisquer outras condições que possam afectar o funcionamento da mesma. Se a ferramenta eléctrica estiver danificada, esta não deve ser utilizada até que seja reparada.** Muitos acidentes são causados por ferramentas eléctricas com uma manutenção insuficiente.
- f. **Mantenha as ferramentas de corte sempre afiadas e limpas.** As ferramentas de corte sujeitas a uma manutenção adequada, com arestas de corte afiadas, emperram com menos frequência e são mais fáceis de controlar.
- g. **Utilize a ferramenta eléctrica, os acessórios, as brocas, etc., de acordo com estas instruções, tendo em conta as condições de trabalho e a tarefa a ser efectuada.** A utilização da ferramenta eléctrica para fins diferentes dos previstos poderá resultar em situações perigosas.

**5. Utilização e cuidados a ter com a ferramenta com baterias**

- a. **Recarregue apenas com o carregador especificado pelo fabricante.**

Um carregador adequado para um tipo de bateria pode causar um incêndio se for utilizado com outra bateria.

- b. **Utilize as ferramentas eléctricas apenas com as baterias concebidas especificamente para o efeito.** A utilização de outro tipo de baterias pode causar ferimentos e incêndio.
  - c. **Quando não utilizar a bateria, mantenha-a afastada de outros objectos metálicos, tais como cliques para papel, moedas, chaves, pregos, parafusos ou outros pequenos objectos metálicos que permitam fazer a ligação de um terminal para outro.** O curto-circuito dos terminais da bateria pode causar queimaduras ou um incêndio.
  - d. **Em condições abusivas, pode derramar líquido da bateria, devendo evitar o contacto. Se tocar acidentalmente no líquido, lave bem com água. Se o líquido entrar em contacto com os olhos, consulte um médico.** O líquido derramado da bateria pode causar irritação ou queimaduras.
- 6. Assistência**
- a. **A ferramenta eléctrica só deve ser reparada por um técnico qualificado e só devem ser utilizadas peças sobresselentes originais.** Desta forma, é garantida a segurança da ferramenta eléctrica.

**Avisos de segurança adicionais para ferramentas eléctricas**



**Atenção!** Instruções de segurança adicionais para berbequins

- ◆ **Utilize as pegas auxiliares fornecidas com a ferramenta.** A perda de controlo pode causar lesões pessoais.
- ◆ **Segure a ferramenta eléctrica apenas pelas superfícies isoladas específicas para o efeito ao efectuar uma operação em que o acessório de corte possa entrar em contacto com fios ocultos.** O acessório de corte que entre em contacto com um fio sob tensão eléctrica poderão fazer com que as peças de metal expostas da ferramenta conduzam electricidade e electrocitem o utilizador.
- ◆ **Segure a ferramenta eléctrica pelas superfícies isoladas específicas para o efeito ao efectuar uma operação em que o parafuso de fixação possa entrar em contacto com fios ocultos.** Os parafusos de fixação que entrem em contacto com um fio sob tensão eléctrica poderão fazer com que as peças de metal expostas da ferramenta conduzam electricidade e electrocitem o utilizador.
- ◆ **Utilize grampos ou outro sistema prático para fixar e apoiar a peça numa plataforma estável.**



Segurar a peça com a mão ou contra o corpo pode causar instabilidade e perda de controlo.

- ◆ Antes de perfurar em paredes, pisos ou tectos, verifique onde estão instalados a cablagem e a canalização.
- ◆ Imediatamente depois de perfurar, evite tocar na ponta da broca, porque pode ficar quente.
- ◆ A utilização adequada é descrita neste manual de instruções. O uso de qualquer acessório ou o desempenho de qualquer operação com esta ferramenta, que não seja o recomendado neste manual de instruções pode constituir um risco em termos de ferimentos e/ou danos materiais.

### Segurança de terceiros

- ◆ Esta ferramenta não foi concebida para ser utilizada por pessoas (incluindo crianças) com capacidades físicas, sensoriais ou mentais reduzidas ou com falta de experiência e conhecimentos, a menos que sejam acompanhadas ou tenham recebido formação sobre a utilização desta ferramenta por uma pessoa responsável pela sua segurança.
- ◆ As crianças devem ser vigiadas, para garantir que não brincam com o equipamento.

### Riscos residuais

Quando utilizar a ferramenta, podem ocorrer riscos residuais adicionais que podem não estar incluídos nos avisos de segurança afixados. Estes riscos podem resultar em caso de utilização indevida, uso prolongado, etc. Mesmo com a aplicação dos regulamentos de segurança relevantes e da implementação de dispositivos de segurança, alguns riscos residuais não podem ser evitados. Estes incluem:

- ◆ Ferimentos causados quando toca nas partes rotativas/móveis.
- ◆ Ferimentos causados ao substituir as peças, lâminas ou acessórios.
- ◆ Ferimentos causados por utilização prolongada de uma ferramenta. Quando utilizar uma ferramenta durante períodos prolongados, faça pausas frequentes.
- ◆ Danos auditivos.
- ◆ Perigos para a saúde provocados pela inalação de poeiras produzidas quando utilizar a ferramenta (exemplo: trabalhos com madeira, especialmente carvalho, faia e placas de fibra de densidade média).

### Vibração

Os valores declarados da emissão de vibração indicados nos dados técnicos e na declaração de conformidade foram medidos de acordo com um método de ensaio padrão fornecidos pela EN 60745 e podem ser utilizados para a comparação de uma ferramenta com outra. O valor da emissão de vibração declarado também pode ser utilizado para uma avaliação preliminar da exposição.

**Atenção!** O valor da emissão de vibração durante a utilização da ferramenta eléctrica pode ser diferente do valor declarado, dependendo da maneira como a ferramenta é utilizada. O nível de vibração pode ser superior ao nível indicado.

Quando avaliar a exposição à vibração para determinar as medidas de segurança exigidas pela 2002/44/CE com o intuito de proteger as pessoas que utilizam ferramentas eléctricas com regularidade para fins profissionais, deve considerar fazer uma estimativa da exposição à vibração. As condições de utilização e a maneira como a ferramenta é utilizada, tendo em conta todas as etapas do ciclo de funcionamento, como, por exemplo, quando a ferramenta é desligada e quando está a funcionar ao ralenti, além do tempo de activação.

### Etiquetas colocadas na ferramenta

Os seguintes símbolos são apresentados na ferramenta, assim como o código de data:



**Atenção!** Para reduzir o risco de ferimentos, o utilizador deve ler o manual de instruções.



Use protecção auricular quando utilizar perfuradoras de impacto. A exposição ao ruído pode causar perda auditiva.

### Instruções de segurança adicionais para baterias e carregadores

#### Baterias

- ◆ Nunca tente abrir a bateria, seja qual for o motivo.
- ◆ Não exponha a bateria a água.
- ◆ Não armazena a bateria num local exposto a temperaturas superiores a 40 °C.
- ◆ Só deve carregá-la a uma temperatura ambiente entre 10 °C e 40 °C.
- ◆ Só deve carregar a bateria com o carregador fornecido com a ferramenta.
- ◆ Quando deitar fora as baterias, siga as instruções indicadas na secção "Proteger o ambiente".



Não carregue baterias danificadas.

#### Carregadores

- ◆ Utilize apenas o carregador da BLACK+DECKER para carregar a bateria fornecida com a ferramenta. Outras baterias podem rebentar, causando ferimentos e danos.
- ◆ Nunca tente carregar as baterias não recarregáveis.
- ◆ Os cabos defeituosos devem ser substituídos de imediato.
- ◆ Não exponha o carregador a água.

- ◆ Não abra o carregador.
- ◆ Não perfure o carregador.



O carregador foi concebido apenas para uso em interior.



Leia o manual de instruções antes de utilizar este equipamento.

### Segurança eléctrica



O carregador tem isolamento duplo, por conseguinte não é necessário um fio de terra. Verifique sempre se a tensão de corrente corresponde à tensão indicada na placa sinalética. Nunca substitua a unidade do carregador por uma ficha de corrente comum.

- ◆ Se o cabo de alimentação estiver danificado, deve ser substituído pelo fabricante ou por um centro de assistência autorizado da BLACK+DECKER para evitar situações de risco.

### Funções

Esta ferramenta inclui parte ou todas as funções que se seguem.

1. Interruptor de velocidade variável
2. Cursor de avanço/recuo
3. Anel de ajuste do binário
4. Mandril sem chave
5. Engrenagem de duas velocidades
6. Indicador luminoso LED
7. Bateria
8. Patilha de libertação das baterias

### Montagem

#### Utilização

**Atenção!** Deixe a ferramenta funcionar ao seu próprio ritmo. Não sobrecarregue a ferramenta.

#### Carregar a bateria (Fig. A1, A2)

A bateria tem de ser carregada antes da primeira utilização e se não produzir energia suficiente para tarefas que eram efectuadas antes com facilidade. A bateria pode ficar quente durante o carregamento. Isto é normal e não é sinal de problema.

**Atenção!** Não carregue a bateria a uma temperatura ambiente inferior a 10 °C ou superior a 40 °C. Temperatura de carregamento recomendada: cerca de 24 °C.

**Nota:** O carregador não carrega a bateria se a respectiva temperatura for inferior a cerca de 10 °C ou superior a 40 °C.

#### A bateria deve permanecer no carregador e este inicia o carregamento automaticamente se a temperatura da bateria aquecer ou arrefecer.

- ◆ Ligue o carregador (9) a uma tomada eléctrica padrão de 230 volts, 50 Hz.
- ◆ Deslize a bateria (7) para dentro do carregador, como indicado na Fig. A1, A2.



O LED (9a) começa a piscar, indicando que a bateria está a ser carregada.



A conclusão do processo de carga é indicada pelo LED (9a), que permanece ligado de maneira contínua. A bateria fica totalmente carregada e pode ser utilizada nesta altura ou pode deixá-la no carregador.

**Atenção!** Risco de incêndio. Se retirar a bateria do carregador, certifique-se de que desliga primeiro o carregador da tomada e depois retira a bateria do carregador.

#### Diagnóstico do carregador

Este carregador foi concebido para detectar determinados problemas que podem surgir com as baterias ou a fonte de alimentação. Os problemas são indicados por um LED intermitente em vários padrões.

#### Bateria defeituosa



O carregador pode detectar se a bateria está danificada ou se a carga está reduzida.

O LED começa a piscar de acordo com o padrão indicado na etiqueta. Se aparecer este padrão de intermitência de bateria defeituosa, pare o processo de carga da bateria. Entregue-a num centro de assistência ou num ponto de recolha para reciclagem.

#### Atraso da bateria quente/fria



Quando o carregador detecta que uma bateria está demasiado quente ou fria, inicia de imediato o Atraso de bateria quente/fria, suspendendo o processo de carga até a temperatura da bateria atingir o valor normal. Depois de isto ocorrer, o carregador muda automaticamente para o modo de Carregamento da bateria. Esta funcionalidade assegura a vida útil máxima da bateria.

O indicador luminoso começa a piscar de acordo com o padrão indicado na etiqueta.

#### Deixar a bateria no carregador

O carregador e a bateria podem permanecer ligados com o LED a piscar de maneira indefinida. O carregador mantém a bateria fresca e totalmente carregada. Este carregador inclui um modo de regulação automática que equivale e equilibra as células individuais na bateria para que possam funcionar à capacidade máxima.

As baterias devem ser reguladas todas as semanas ou se não apresentarem o mesmo desempenho. Para utilizar o modo de regulação, coloque a bateria no carregador e deixe-a assim durante pelo menos 8 horas.

### Notas importantes sobre carregamento

- ◆ É possível obter uma vida útil mais prolongada e um melhor desempenho se a bateria for carregada a uma temperatura ambiente entre 18 ° – 24 °C. NÃO carregue a bateria a uma temperatura ambiente inferior a +4,5 °C ou superior a +40 °C. Isto é importante e impede a ocorrência de danos graves na bateria.
- ◆ O carregador e a bateria podem ficar quentes durante o processo de carregamento. Isto é normal e não indica uma situação anormal. Para facilitar o arrefecimento da bateria após a utilização, evite colocar o carregador ou a bateria num ambiente quente, por exemplo, num barracão de metal ou num atrelado sem isolamento.
- ◆ Se a bateria não carregar correctamente:
  - ◆ Insira uma lâmpada ou outro dispositivo na tomada para verificar se esta está a funcionar correctamente;
  - ◆ Verifique se a tomada está ligada a um interruptor de luz que desliga a corrente quando desliga as luzes;
  - ◆ Coloque o carregador e a bateria num local onde a temperatura ambiente em redor seja cerca de 18 ° e 24 °C;
  - ◆ Se os problemas de carregamento persistir, leve a ferramenta, a bateria e o carregador a um centro de assistência local.
- ◆ A bateria deve ser recarregada se não produzir energia suficiente para tarefas que eram efectuadas antes com facilidade. NÃO CONTINUE a utilizar a bateria nestas condições. Siga o procedimento de carregamento. Também pode carregar uma bateria parcialmente usada sempre que necessário sem efeitos adversos na bateria.
- ◆ Materiais estranhos de natureza condutora, tais como, mas não limitados a, pó polido, aparas de metal, lâ de aço, alumínio em folha ou qualquer acumulação de partículas metálicas devem ser mantidos afastados do compartimento do carregador. Desligue o carregador antes de proceder à limpeza.
- ◆ Não congele ou mergulhe o carregador dentro de água ou de qualquer outro líquido.

### Inserir e retirar a bateria da ferramenta (Fig. B)

**Atenção!** Antes de retirar ou instalar a bateria, certifique-se de que o botão de desbloqueio (2) está engatado para evitar a activação do interruptor.

Para instalar a bateria:

- ◆ Insira a bateria (7) na ferramenta até ouvir um clique (Fig. B)

### Retirar a bateria da ferramenta (Fig. C)

- ◆ Pressione o botão de libertação da bateria (8), como indicado na (Fig. C) e retire a bateria da ferramenta.

### Instruções de funcionamento

#### Interruptor do gatilho e botão de recuo (Fig. D)

- ◆ A perfuradora liga-se e desliga-se se pressionar e libertar o gatilho (1). Quanto maior for a pressão no gatilho, maior a velocidade da perfuradora.
- ◆ O botão de controlo de avanço/recuo (2) determina a direcção da ferramenta e funciona também como botão de bloqueio.
- ◆ Para seleccionar a marcha directa, liberte o gatilho e prima o botão de controlo de avanço/recuo no lado esquerdo da ferramenta.
- ◆ Para seleccionar a marcha inversa, pressione o botão de controlo de avanço/recuo na direcção oposta.

**Nota:** A posição central do botão de controlo bloqueia a ferramenta na posição Desligar. Se alterar a posição do botão de controlo, certifique-se de que liberta o interruptor.

#### Controlo do binário (Fig. E)

A ferramenta está equipada com um anel de ajuste do binário (3) para seleccionar o modo de funcionamento e para definir o binário de aperto dos parafusos. Os parafusos grandes e as peças de trabalho duras requerem um binário de aperto superior ao dos parafusos pequenos e das peças de trabalho macias.

- ◆ Para perfurar madeira, metal e plástico, coloque o anel no símbolo da posição de perfuração
- ◆ Para aparafusar, coloque o anel na definição pretendida. Se não souber qual é a definição adequada, proceda do seguinte modo:
  - ◆ Coloque o anel na definição de binário mais reduzida.
  - ◆ Aperte o primeiro parafuso.
  - ◆ Se a embraiagem engrenar antes de ser obtido o resultado pretendido, aumente a definição do anel e continue a apertar o parafuso. Repita até obter a definição pretendida. Utilize esta definição para os parafusos restantes.

#### Mandril sem chave (Fig. F)

**Atenção!** Antes de instalar ou retirar acessórios, certifique-se de que o botão de desbloqueio (2) está engatado para evitar a activação do interruptor.

Para inserir uma broca ou outro acessório:

- ◆ Agarre na parte traseira do mandril (4) com uma mão e, com a outra mão, rode a parte frontal para a esquerda, tal como visualizado da perspectiva da extremidade do mandril.

- ◆ Insira a broca ou outro acessório por completo no mandril, e aperte com firmeza, segurando na parte traseira do mandril e rodando a parte frontal para a direita, tal como visualizado da perspectiva da extremidade do mandril.

**Atenção!** Não tente apertar as brocas (ou qualquer outro acessório) segurando na parte frontal do mandril e ligando a ferramenta. Quando substituir os acessórios, podem ocorrer danos no mandril e ferimentos.

### Engrenagem de duas velocidades (Figura G)

A função de duas velocidades do seu berbequim permite mudar de velocidade para uma maior versatilidade. Para seleccionar a velocidade reduzida, regulação de binário elevado (posição 1), desligue a ferramenta e deixe-a a rodar até parar. Faça deslizar o botão de mudança de velocidade (5) no sentido oposto ao do mandril. Para seleccionar a velocidade elevada, regulação de binário baixo (posição 2), desligue a ferramenta e deixe-a a rodar até parar.

Faça deslizar o botão de mudança de velocidade na direcção do mandril.

**Nota:** Não altere a velocidade quando a ferramenta estiver em funcionamento. Se tiver dificuldade em mudar de velocidade, certifique-se de que o botão de mudança de velocidade dupla está totalmente empurrado para a frente ou para trás.

### Perfuração/aparafusamento

- ◆ Selecione a rotação para a frente ou atrás com o curso de avanço/recuo (2).
- ◆ Para ligar a ferramenta, prima o interruptor (1). A velocidade da ferramenta depende da pressão que exercer no interruptor.
- ◆ Para desligar a ferramenta, liberte o interruptor.

### Sugestões para uma excelente utilização

#### Perfuração

- ◆ Utilize apenas brocas afiadas.
- ◆ Apoie e fixe a peça de trabalho correctamente, como indicado nas instruções de segurança.
- ◆ Utilize equipamento de segurança adequado e obrigatório, como indicado nas instruções de segurança.
- ◆ Fixe e mantenha a área de trabalho, como indicado nas instruções de segurança.
- ◆ Ligue a aparafusadora com uma definição muito baixa e uma pressão ligeira até obter um orifício com um tamanho suficiente que impeça que a broca deslize.
- ◆ Aplique pressão numa linha recta com a broca. Aplique pressão suficiente para perfurar com a broca, mas não a empurre demasiado, porque o motor pode bloquear ou a broca pode desvia-se.
- ◆ Segure a ferramenta firmemente com ambas as mãos, de modo a controlar a acção de torção da broca.

- ◆ NÃO PRESSIONE E LIBERTE O GATILHO DE UMA PERFURADORA ENCRAVADA PARA TENTAR UTILIZÁ-LA. PODEM DANIFICAR A PERFURADORA.
- ◆ Minimize o encravamento, reduzindo a pressão e perfurando lentamente na última parte do orifício.
- ◆ Mantenha o motor em funcionamento quando retirar a broca de um orifício perfurado. Isto impede que a broca fique encravada.
- ◆ Certifique-se de que o interruptor liga e desliga a perfuradora.

### Perfurar em madeira

Os orifícios na madeira podem ser feitos com as brocas torcidas para metal ou com brocas achatadas. Estas brocas devem estar afiadas e retiradas com frequência quando retirar limalhas das estrias.

### Perfurar em metal

Utilize um lubrificante de corte para perfuração de metais. As excepções incluem ferro fundido e latão, que devem ser perfurados a seco. Os lubrificantes de corte mais adequados são óleo de corte sulfurizado ou óleo de banha.

### Perfurar em alvenaria

Para perfurar em alvenaria, coloque o anel (3) na posição de perfuração com martelo, alinhando o símbolo com a marca. Deslize o selector de velocidade (5) na direcção da parte da frente da ferramenta (2.ª velocidade).

### Aparafusamento

- ◆ Utilize sempre o tipo e o tamanho correctos da broca da lâmina da chave de fendas.
- ◆ Se for difícil apertar os parafusos, aplique uma pequena quantidade de líquido de lavagem ou de sabão como lubrificante.
- ◆ Segure sempre a ferramenta e a lâmina da chave de fendas em linha recta com o parafuso

### Resolução de problemas

Problema	Causa possível	Solução possível
A unidade não arranca.	A bateria não está carregada.	Verifique os requisitos de carregamento da bateria
A bateria não carrega.	O carregador não está ligado.  A temperatura ambiente está demasiado quente ou fria.	Ligue o carregador a uma tomada eléctrica.  Coloque o carregador e a bateria num local com uma temperatura ambiente superior a 40 graus F (4,5 °C) ou inferior a 105 graus F (+40,5 °C)

Problema	Causa possível	Solução possível
A unidade desliga-se de maneira abrupta.	A bateria atingiu o limite térmico máximo.  Sem carga. (Para maximizar a duração da bateria, esta foi concebida para desligar-se de maneira abrupta quando a carga chega ao fim)	Deixe a bateria a arrefecer.  Coloque-a no carregador e deixe-a a carregar.

## Manutenção

A ferramenta eléctrica da BLACK+DECKER foi concebida para funcionar durante um longo período de tempo com uma manutenção mínima. Uma utilização continuamente satisfatória depende de uma manutenção apropriada da ferramenta e de uma limpeza regular.

O carregador não requer manutenção, além da limpeza normal.

**Atenção!** Antes de efetuar qualquer tarefa de manutenção, retire a bateria da ferramenta. Desligue o carregador antes de limpá-lo.

- ◆ Limpe com regularidade as aberturas de ventilação da ferramenta e o carregador com uma escova macia ou um pano seco.
- ◆ Limpe com regularidade o compartimento do motor com um pano húmido.  
Não utilize produtos de limpeza abrasivos ou à base de solventes.
- ◆ Abra com regularidade o mandril e bata para retirar qualquer poeira do interior.

## Proteger o ambiente



Recolha selectiva. Os produtos e baterias assinalados com este símbolo não devem ser eliminados em conjunto com o lixo doméstico normal.

Os produtos e baterias contêm materiais que podem ser recuperados ou reciclados, reduzindo a procura de matéria-prima.

Recicle os produtos eléctricos e as baterias de acordo com as disposições locais. Estão disponíveis mais informações em [www.2helpU.com](http://www.2helpU.com)

## Dados técnicos

		BCD003
Tensão	$V_{CC}$	18
Velocidade sem carga	Min. <sup>-1</sup>	0 - 360/0 - 1400
Binário máximo	Nm	45
Capacidade do mandril	mm	1-10

		BCD003
<b>Capacidade máxima de perfuração</b>		
Aço/madeira/alvenaria	mm	10/25/10
Peso	kg	0,9 (com bateria, 1,3)

Carregador		90589867	90590287-06	90634971
Tensão de entrada	$V_{CA}$	230	230	230
Tensão de saída	$V_{CC}$	18	18	18
Corrente	mA	200	400	1 A
Tempo aproximado de carga	Horas	8	3 - 5	1,5

Bateria		BL1518
Tensão	$V_{CA}$	18
Capacidade	Ah	1,5
Tipo		lões de lítio

Nível de pressão acústica de acordo com a EN 60745:	
Pressão acústica ( $L_{pA}$ )	86,0 dB(A), variabilidade (K) 3 dB(A)
Potência acústica ( $L_{WA}$ )	97,0 dB(A), variabilidade (K) 3 dB(A)

Valores totais de vibração (soma vectorial triaxial) em conformidade com a norma EN 60745:	
Perfuração em betão ( $a_{h,D}$ )	6,8 m/s <sup>2</sup> , variabilidade (K) 1,5 m/s <sup>2</sup>
Perfuração em metal ( $a_{h,D}$ )	1,8 m/s <sup>2</sup> , variabilidade (K) 1,5 m/s <sup>2</sup>

## Declaração de conformidade da CE

DIRECTIVA "MÁQUINAS"



Perfuradora de impacto BCD003

A Black & Decker declara que os produtos descritos em "dados técnicos" se encontram em conformidade com as seguintes normas e directivas:  
2006/42/CE, EN60745-1:2009+A11:2010, EN60745-2-1:2010, EN60745-2-2:2010.

Estes produtos estão também em conformidade com as directivas 2014/30/UE e 2011/65/UE. Para obter mais informações, contacte a Black & Decker através da morada indicada em seguida ou consulte o verso do manual.

O abaixo assinado é responsável pela compilação do ficheiro técnico e faz esta declaração em nome da Black & Decker.



R. Laverick  
Director de Engenharia  
Black & Decker Europe, 210 Bath Road, Slough,  
Berkshire, SL1 3YD  
Reino Unido  
05/04/2018

## Garantia

A Black & Decker confia na qualidade dos seus produtos e oferece aos consumidores uma garantia de 24 meses a partir da data de compra. Esta garantia é um suplemento e não afecta de modo algum os seus direitos estatutários. A garantia é válida nos Estados-membros da União Europeia e nos países-membros da Zona Europeia de Comércio Livre.

Para reclamar a garantia, esta deve estar em conformidade com os termos e condições da Black & Decker e terá de apresentar o comprovativo de compra ao revendedor ou a um técnico de reparação autorizado.

Os termos e condições da garantia de 2 anos da Black & Decker e a localização do técnico de reparação autorizado mais próximo pode ser obtido na Internet em [www.2helpU.com](http://www.2helpU.com). Pode também contactar o seu escritório da Black & Decker local através da morada indicada neste manual.

Visite o nosso Website [www.blackanddecker.co.uk](http://www.blackanddecker.co.uk) para registar o seu novo produto da Black & Decker e receba actualizações sobre novos produtos e ofertas especiais.

## Avsedd användning

Din BLACK+DECKER BCD003 - slagbormaskin har designats för skruvdragning och för bormning i trä, metall och murverk. Detta verktyg är endast avsett för konsumentbruk.

## Säkerhetsinstruktioner

### Allmänna säkerhetsvarningar för elverktyg



**Varning! Läs igenom alla säkerhetsvarningar och alla instruktioner.** Om inte varningarna och instruktionerna som listas nedan följs kan det resultera i elektriska stötar, brand och/eller allvariga skador.


**SPARA ALLA VARNINGAR OCH INSTRUKTIONER FÖR FRAMTIDA REFERENS.** Termen "elverktyg" i all varningarna som listas nedan refererar till ditt eldrivna (sladdanslutna) elverktyg eller batteridrivna (sladdlösa) elverktyg.

### 1. Säkerhet på arbetsområdet

- Håll arbetsområdet rent och väl upplyst.** Belamrade och mörka området inbjuder till olyckor.
- Använd inte elverktyg i explosiv atmosfär, såsom i närheten av lättantändliga vätskor, gaser eller damm.** Verktyg skapar gnistor som kan antända damm eller ångor.
- Håll barn och åskådare borta medan ett elverktyg används.** Distraktioner kan göra att du förlorar kontrollen.

### 2. Elektrisk säkerhet

- Elverktygs kontakter måste passa i eluttaget. Modifiera aldrig kontakten på något sätt. Använd inte någon adapterkontakt med jordade (jordanslutna) elverktyg.** Omodifierade kontakter och matchade uttag kommer att reducera risken för elektriska stötar.
- Undvik kroppskontakt med jordade eller jordanslutna ytor såsom rör, radiatorer, spisar och kylskåp.** Det finns en öka risk för elektriska stötar om kroppen är jodrad eller jordansluten.
- Utsätt inte elverktyg för regn eller våta förhållanden.** Vatten som kommer in i ett elverktyg kommer att öka risken för elektriska stötar.
- Misshandla inte sladden. Använd aldrig sladden för att bära, dra eller koppla ur elverktyget. Håll sladden undan från hetta, olja, vassa kanter eller rörliga delar.** Skadade eller trassliga sladdar ökar risken för elektriska stötar.
- När ett elverktyg används utomhus, använd en förlängningssladd som är lämplig för utomhusbruk.** Användning av en sladd som är lämplig för utomhusbruk minskar risken för elektriska stötar.

- f. Om användning av ett elverktyg i en fuktig miljö inte kan undvikas, använd en jordfelsbrytare (RCD) för att skydda strömanslutningen. Användning av en RCD minskar risken för elektriska stötar.
3. Personlig säkerhet
- a. Var uppmärksam, titta på vad du gör och använd sunt förnuft när ett elverktyg används. Använd inte ett elverktyg när du är trött eller påverkad av droger, alkohol eller mediciner. En ögonblicks ouppmärksamhet när elverktyget används kan resultera i allvarliga personskador.
- b. Använd personlig skyddsutrustning. Använd alltid skyddsglasögon. Skyddsutrustning såsom dammask, halkfria skor, hjälm eller hörselskydd som används när så är lämplig kommer att reducera personskador.
- c. Förhindra oavsiktlig start. Se till att avtryckare är i avstängd position innan anslutning till strömkällan och /eller batteripaketet, verktyget lyfts upp eller bärs. Att bära elverktyg med fingret på avtryckare eller strömsätta elverktyg som har strömbrytaren på inbjuder till olyckor.
- d. Ta bort alla inställningsnycklar eller nycklar innan elverktyget slås på. En skruvnyckel eller en nyckel som lämnas fäst på en roterande del av elverktyget kan resultera i personskador.
- e. Sträck dig inte för långt. Ha bra fotfäste och balans hela tiden. Detta ger bättre kontroll över elverktyget i oväntade situationer.
- f. Bär lämpliga kläder. Bär inte löst sittande kläder eller smycken. Håll håret, kläder och handskar undan från rörliga delar. Lösa kläder, smycken eller långt hår kan fastna i rörliga delar.
- g. Om enheten är försedd med anslutning av dammutsug och uppsamlingsmöjlighet, se till att dessa är anslutna och används korrekt. Användning av dammuppsamling kan minska dammrelaterade faror.
4. Elverktyg användning och skötsel
- a. Tvinga inte elverktyget. Använd korrekt elverktyg för ditt arbete. Korrekt elverktyg kommer att göra arbetet bättre och säkrare vid den hastighet som det är designad för.
- b. Använd inte elverktyget om strömbrytaren inte kan slå på eller stängas av. Alla elverktyg som inte kan kontrolleras av strömbrytaren är farliga och måste repareras.
- c. Dra ut kontakten från strömkällan och/eller batteripaketet från elverktyget innan några justeringar görs, tillbehör byts eller elverktyget förvaras. Sådan preventiva säkerhetsåtgärder minskar risken att elverktyget startar oavsiktligt.
- d. Förvara överksamma elektriska verktyg utom räckhåll för barn och låt inte personer som är obekanta med elverktyget eller dessa instruktioner verktyget. Elverktyg kan vara farliga i händerna på utbildade användare.
- e. Underhålla elverktyg. Kontrollera om där finns felinriktningar eller rörliga delar som fastnat, trasiga delar eller andra förhållanden som kan påverka elverktygets drift. Vid skador reparera elverktyget innan användning. Många olyckor orsakas av dåligt underhållna elverktyg.
- f. Håll kapverktyg vassa och rena. Korrekt underhållna kapverktyg med vassa kapkanter är mindre troliga att kärva och lättare att kontrollera.
- g. Använd elverktyget, tillbehör och verktygsbits etc. i enlighet med dessa instruktion och tänk på arbetsförhållandena och arbetet som skall utföras. Elverktyg som används för arbeten andra än de som är avsedda kan resultera i farliga situationer.
5. Batteri användning och skötsel
- a. Ladda endast med laddaren som specificerats av tillverkaren. En laddare som är lämplig för en typ av batterier kan skapa en brandrisk vid användning med andra batteripaket.
- b. Använd enda elverktyg med särskilt avsedda batteripaket. Användning av andra batteripaket kan utgöra en brandrisk.
- c. När batteripaket inte används, håll det borta från andra metallföremål såsom pappersgem, nycklar, skruvar eller andra metallföremål som kan skapa anslutning mellan terminalerna. Kortslutning batteriterminalerna kan orsaka brännskador eller brand.
- d. Vid felaktig användning kan vätska komma ut från batteriet, undvik kontakt. Om oavsiktlig kontakt sker, skölj med vatten. Om vätska kommer i kontakt med ögonen, sök dessutom medicinsk hjälp. Vätska som kommer från batteriet kan orsaka irritationer eller brännskador.
6. Service
- a. Låt en kvalificerad reparatör som använder identiska reservdelar utföra service på ditt elverktyg. Detta garanterar att säkerheten hos elverktyget bibehålls.
- Ytterligare säkerhetsvarningar för elverktyg
-  **Varning!** Ytterligare säkerhetsvarningar för bormaskiner
- ◆ Använd extra handtag som medföljer verktyget. Förlorad kontroll kan orsaka personskador.

- ◆ **Håll elverktyg i de isolerade greppytorna vid arbete som utförs där kaptillbehöret kan komma kontakt med dolda ledningar kan ske.** Kaptillbehör som kommer i kontakt med strömförande ledningar kan göra metalldelarna strömförande och ge operatören en elektrisk stöt.
- ◆ **Håll elverktyg i de isolerade greppytorna vid arbete som utförs där fästelementet kan komma kontakt med dolda ledningar kan ske.** Fästelement som kommer i kontakt med strömförande ledningar kan göra metalldelarna strömförande och ge operatören en elektrisk stöt.
- ◆ **Använd klämmor eller andra praktiska sätt att fästa och stödja arbetsstycket på en stabil plattform.** Arbetsstycken som hålls i handen eller mot kroppen gör det instabilt och kan leda till att kontrollen förloras.
- ◆ Innan borring i väggar, golv eller tak, kontrollera var ledningar och rör finns.
- ◆ Undvik att vidröra spetsen å borrbitsen efter borring då den kan vara het.
- ◆ Den avsedda användningen beskrivs i denna bruksanvisning. Användning av något tillbehör eller tillsatser eller utförande av något arbete annat än de som rekommenderas i denna bruksanvisning kan utgöra en risk för personskador och/eller skador på egendom.

## Säkerhet för andra

- ◆ Detta verktyg är inte avsett att användas av personer (inklusive barn) med reducerad fysisk, sensorisk eller mental kapacitet eller som saknar erfarenhet och kunskap såvida inte de övervakas eller instruerats beträffande användningen av verktyget av en person som är ansvarig för deras säkerhet.
- ◆ Barn skall övervakas för att garantera att de inte leker med apparaten.

## Kvarvarande risker

Ytterligare risker kan uppstå när verkget används vilka kanske inte är inkluderade i de medföljande säkerhetsvarningarna. Dessa risker kan uppstå vid missbruk, för lång användning etc.

Även vid användning av de relevanta säkerhetsbestämmelserna och implementering av säkerhetsenheter kan vissa kvarvarande risker inte undvikas. Dessa inkluderar:

- ◆ Skador orsakade av att roterande/rörliga delar vidrörs.
- ◆ Skador orsakade när delar, skivor eller tillbehör byts.
- ◆ Skador orsakade av för lång användning av ett verktyg. När något verktyg används under lång tid se till att ta regelbunden paus.
- ◆ Hörselnedsättning.

- ◆ Hälsorisker orsakade av inandning av damm som uppstår när verktyget använd (exempelvis vid arbete med trä, särskilt ek, bok och MDF.)

## Vibration

De deklarerade vibrationsvärdena som fastställts i de tekniska data och i deklarationen om överensstämmelse har uppmätts i enlighet med en standardtestmetod som tillhandahålls av EN 60745 och kan användas för att jämföra ett verktyg med ett annat. De deklarerade vibrationsvärdena kan också användas för en preliminär uppskattning av exponeringen.

**Varning!** Vibrationsvärdet under faktisk användning av elverktyg kan skilja sig från de deklarerade värdena beroende på hur verktyget används. Vibrationsnivån kan öka över det fastställda värdet.

Vid uppskattning av vibrationsexponering för att avgöra säkerhetsåtgärder som krävs av 2002/44/EG för att skydda personer som regelbundet använder elverktyg i arbetet bör en uppskattning av vibrationsexponeringen överväga de verkliga förhållanden för användningen och hur verktyget används, inklusive att alla delar av arbetet tas med i beräkningen av driftcykeln, såsom när verktyget stängs av och när det körs på tomgång förutom körtiden.

## Etiketter på verktyget

Följande symboler visas på verktyget tillsammans med datumkoden::



**Varning!** För att minska risken för skador måste användaren läsa bruksanvisningen.



Använd hörselskydd vid slagborring. Exponering för buller kan orsaka hörselskador.

## Ytterligare säkerhetsinstruktioner för batterier och laddare

### Batterier

- ◆ Försök aldrig av något skäl att öppna batterier.
- ◆ Utsätt inte batteriet för vatten.
- ◆ Förvara inte på platser där temperaturen kan överstiga 40 °C.
- ◆ Ladda endast vid en omgivande temperatur mellan 10 °C och 40 °C.
- ◆ Ladda endast med den laddare som medföljde verktyget.
- ◆ När batterier kastat följ instruktionerna som ges i sektionen "Skydda miljön".



Försök inte ladda skadade batterier.



## Laddare

- ◆ Använd endast din BLACK+DECKER laddare för att ladda batteriet som medföljde verktyget. Andra batterier kan brista och orsaka personskador eller andra skador.
- ◆ Försök aldrig att ladda icke-laddningsbara batterier.
- ◆ Byt omedelbart defekta sladdar.
- ◆ Utsätt inte laddaren för vatten.
- ◆ Öppna inte laddaren.
- ◆ Utforska inte laddaren.



Laddaren verktyg är endast avsett för inomhusbruk.



Läs bruksanvisningen före användning.

## Elektrisk säkerhet



Denna laddare är dubbelisolerat; därför behövs ingen jordanslutning. Kontrollera alltid att nätspänningen motsvarar spänningen på märkplattan. Försök inte att byta ut laddaren mot en vanlig nätkontakt.

- ◆ Om strömsladden är skadad måste den bytas av tillverkaren eller av ett auktoriserat BLACK+DECKER servicecenter för att undvika faror.

## Funktioner

Detta verktyg inkluderar vissa eller alla av följande funktioner.

1. Variabel hastighetsavtryckare
2. Skjutknapp framåt/bakåt
3. Inställningshjulsa vridmoment
4. Nyckelfri chuck
5. Dubbelväxellåda
6. LED-arbetsbelysning
7. Batteri
8. Batterilåsknapp

## Montering

### Använd

**Varning!** Låt verktyget arbeta i egen takt. Överbelasta inte.

### Ladda batteriet (bild A1, A2)

Batteriet behöver laddas innan första användning och närhelst det inte producerar tillräckligt med energi för arbeten som lätt gjordes tidigare. Batteriet kan bli varmt under laddningen, detta är normalt och indikerar inte något problem.

**Varning!** Ladda inte batteriet vid en omgivande temperatur under 10 °C eller över 40 °C.

Rekommenderad laddningstemperatur: ungefär 24 °C.

**Notera: Laddaren kommer inte att ladda ett batteri om celltemperaturen är under ungefär 10 °C eller över 40 °C. Batteriet skall lämnas kvar i laddaren och laddaren kommer att påbörja laddningen automatiskt när celltemperaturen värmts upp eller kylts ned.**

- ◆ Koppla in laddaren (9) i ett 230 Volts 50 Hz eluttag.
- ◆ Skjut in batteripaketet (7) i laddaren såsom visas i bild A1, A2.



LED (9a) kommer att blinka för att indikera att batteriet laddas.



När laddningen är klar indikeras det av att LED (9a) lyser konstant. Paketet är fulladdat och kan nu användas eller lämnas i laddaren.

**Varning!** brandfara. När batteriet skall tas bort från laddaren se till att först koppla bort laddaren från vägguttaget ta sedan bort batteriet från laddaren.

## Laddningsdiagnostik

Denna laddare är designad att upptäcka vissa problem som kan uppstå med batteripaketet eller strömkällan. Problem indikeras av att en LED blinkar i olika mönster.

### Dåligt batteri



Laddaren kan upptäcka ett svagt eller skadat batteri. LED blinkar i mönstret som indikeras på etiketten. Om du ser ett dåligt

batteri, fortsätt då inte att ladda batteriet. Återlämna det till ett servicecenter eller till återvinningen.

### Fördröjning hett/kallt paket



När laddaren upptäcker ett batteri som är överdrivet hett eller överdrivet kallt startat den automatiskt en hett/kallt paketfördröjning och skjuter upp laddningen tills batteriet har normal temperatur. Efter att detta sker kommer laddaren automatiskt att växla till paketladdningsläge. Denna funktion garanterar maximal livslängd för batteriet.

Ljuset blinkar i mönstret som indikeras på etiketten.

### Lämna batteriet i laddaren

Laddaren och batteripaketet kan lämnas anslutna med LED lysande på obestämd tid. Laddaren kommer att hålla batteripaketet fräscht och fulladdat. Denna laddare har ett automatiskt finjusteringsläge som jämna ut eller balanserar de enskilda cellerna i batteripaketet vilket gör att den fungerar med toppkapacitet. Batteripaket bör finjusteras veckovis eller närhelst batteriet inte längre levererar samma arbetskapacitet. För att använda det automatiska läget, placera batteripaketet i laddaren och lämna det där i minst åtta timmar.

## Viktiga laddningsnoteringar

- ◆ Längsta livslängd och bäst prestanda kan erhållas om batteripaketet laddas när lufttemperaturen är mellan 18 ° – 24 °C. Ladda INTE batteripaketet i en lufttemperatur under +4.5 °C eller över +40 °C. Detta är viktigt och kommer att förhindra allvarliga skador på batteripaketet.
- ◆ Laddaren och batteripaketet kan bli för varma att vidröra under laddningen. Detta är ett normalt förhållande och indikerar inte något problem. För att möjliggöra kylning av batteripaketet efter användning, undvik att placera laddaren eller batteripaketet i en varm miljö såsom i ett metallskjul eller i en isolerad släpvagn.
- ◆ Om batteripaketet inte laddas korrekt:
  - ◆ Kontrollera funktionen i uttaget genom att koppla in en lampa eller annan apparat;
  - ◆ Kontrollera om uttaget är anslutet till en strömbrytare som stänger av strömmen när du släcker lamporna;
  - ◆ Flytta laddaren och batteripaketet till en plats där den omgivande temperaturen är ungefär 18 ° – 24 °C;
  - ◆ Om laddningsproblemen kvarstår, lämna verktyget, batteripaketet och laddaren till ditt lokala servicecenter.
- ◆ Batteripaketet skall laddas när det inte klarar av att producera tillräckligt med energi såsom det lätt gjort tidigare. FORTSÄTT INTE att använda under dessa förhållanden. Följ laddningsproceduren. Du kan också ladda delvis använda ett delvis använd paket närhelst du önskar utan några negativa effekter på batteripaketet.
- ◆ Främmande material som är ledande såsom, men inte begränsat till slipdamm, metallspån, stålull, aluminiumfolie eller annat ansamlade metallpartiklar skall hållas undan från laddarens öppning. Koppla ifrån laddare när den skall rengöras.
- ◆ Frys inte eller sänk ned laddaren i vatten eller annan vätska.

## Installation eller borttagning av batteripaketet från verktyget (bild B)

**Varning!** Se till att låsknappen (2) är aktiverad för att förhindra att omkopplare aktiveras innan batteriet installeras eller tas bort.

Installera batteripaketet:

- ◆ Sätt i batteripaketet (7) i verktyget till ett ljudligt klick hörs (bild B)

## Borttagning av batteripaketet från verktyget (bild C)

- ◆ Tryck på låsknappen (8) såsom visas i (bild C) och dra ut batteripaketet från verktyget.

## Driftinstruktioner

### Avtryckarknapp backknapp (bild D)

- ◆ Borrmaskinen slås PÅ och stängs AV genom att trycka in eller släppa avtryckarknappen (1). Ju längre avtryckaren trycks in, desto högre hastighet på borren.
- ◆ En framåt/bakåt kontrollknapp (2) avgör riktningen för verktyget och fungerar också som en låsknapp.
- ◆ För att välja framåtroteration, släpp avtryckaren och tryck framåt/bakåt kontrollknappen åt höger.
- ◆ För att välja bakåt, tryck framåt/bakåt kontrollknappen i motsatt riktning.

**Notera:** Mittenpositionen på kontrollknappen låser verktyget i avstängd position. Vid ändring av positionen för kontrollknappen se till att avtryckaren är släppt.

### Kontroll av vridmoment (bild E)

Detta verktyg är utrustat med en inställningshylsa för vridmomentet (3) för att välja driftläge och för att ställa in vridmomentet för åtdragning av skruvar. Stora skruvar och hårt material i arbetsstycken kräver en högre inställning av vridmomentet än små skruvar i mjuka material.

- ◆ För borring i trä, metall och plast, ställ in hylsan på borrsymbolen
- ◆ För skruvdragning, ställ in hylsan på önskad inställning. Om du inte vet lämplig inställning, gör enligt följande:
- ◆ Ställ in hylsan på det lägsta vridmomentet.
- ◆ Dra åt den första skruven.
- ◆ Om kopplingen hackar innan önskat resultat uppnåtts, öka hylsans inställning och fortsätt att dra åt skruven. Upprepa tills du når korrekt inställning. Använd denna inställning för de resterande skruvarna.

### Nyckelfri chuck (bild F)

**Varning!** Se till att låsknappen (2) är aktiverad för att förhindra att omkopplare aktiveras innan installation eller borttagning av tillbehör.

Isättning av en borrbits eller annat tillbehör:

- ◆ Ta tag i den bakre halvan av chucken (4) med ena handen och använd den andra handen för att vrida på den främre halvan moturs såsom visas från chuckändan.
- ◆ Sätt in bitsen eller annat tillbehör helt i chucken och dra åt genom att hålla i den bakre halvan av chucken och vrida på den främre delen medurs såsom visas från chuckändan.

**Varning!** Försök inte att dra åt borrbits (eller andra tillbehör) genom att ta tag i främre delen av chucken och slå på verktyget. Chucken kan skadas eller personskadorna kan uppstå när tillbehör byts.

### Dubbelt växelområde (bild G)

Den dubbla områdesfunktionen låter dig byta växel för större mångsidighet.

För att välja inställningen låg hastighet, högt vridmoment (position 1), stäng av verktyget och låt det stanna. Skjut växelbytesknappen (5) bort från chucken. För att välja inställningen hög hastighet, lågt vridmoment (position 2), stäng av verktyget och låt det stanna.

Skjut växelbytesknappen mot chucken.

**Notera:** Ändra inte växlar medan verktyget körs. Om du har problem med att byta växel se till att ratten för dubbla områdesväxeln är antingen helt tryckt framåt eller helt tillbaka dragen.

## Borning/skruvdragning

- ◆ Välj framåt- eller bakåttrotation med skjutreglaget framåt-/bakåt (2).
- ◆ För att slå på verktyget, tryck på omkopplaren (1). Verktygets hastighet beror på hur långt du trycker in avtryckaren.
- ◆ För att stänga av verktyget, släpp omkopplaren.

## Tips för optimal användning

### Borning

- ◆ Använd endast vassa borrarbits.
- ◆ Stöd och fäst arbetet ordentligt såsom instrueras i säkerhetsinstruktionerna.
- ◆ Använd säkerhetsutrustning som är lämplig och som krävs för säker användning av utrustningen, såsom instrueras i säkerhetsinstruktionerna.
- ◆ Se till att arbetsområdet är säkert och underhållet såsom instrueras i säkerhetsinstruktionerna.
- ◆ Kör borren sakta med lätt tryck tills hålet är tillräckligt stort för att hålla kvar borren så att den inte glider ut.
- ◆ Använd tryck i en rak linje med biten. Använd tillräckligt tryck så att biten fäster men inte så mycket att motorn stannar eller påverkar biten.
- ◆ Håll bormaskinen i ett fast grepp med båda händerna för att kontrollera dess vridning.
- ◆ **KLICKA INTE PÅ AVTRYCKAREN FÖR ATT LOSSA EN BORR SOM FASTNAD ELLER FÖR ATT FÖRSÖKA ATT STARTA DEN. SKADOR PÅ BORREN KAN UPPSTÅ.**
- ◆ Minimera att den fastnar vid genombrottet genom att minska trycket och sakta borra genom den sista delen av hålet.
- ◆ Låt motorn köra medan biten dras ut ur det borrade hålet. Detta hjälper till att reducera fastklämning.
- ◆ Se till att omkopplaren kan slå på och stänga av bormaskinen.

### Borning i trä

Hålen i trä kan göras med samma borrarbits som används för metall eller med plattborrar. Dessa bits skall vara vassa och skall dras ut regelbundet vid borring för att rensa spån från spåret.

## Borning i metall

Använd ett skärsmörjemedel vid borring i metall.

Undantaget är gjutjärn och mässing som skall borras torr. Skärsmörjemedlet som fungerar bäst är svavelskärolja eller späckolja.

## Borning i murverk

För borring i murverk ställ in hylsan (3) i slagborrposition genom att rikta in symbolen mot markeringen. Skjut hastighetsväljaren (5) mot fronten på verktyget (2:a växeln).

## Skruvdragning

- ◆ Använd alltid korrekt typ och storlek på skruvbitsen.
- ◆ Om skruvar är svåra att dra åt, påför en liten mängd diskmedel eller tvål som smörjemedel.
- ◆ Håll alltid verktyget och skruvdragaren i en rak linje mot skruven

## Felsökning

Problem	Möjlig orsak	Möjlig lösning
Enheten startar inte.	Batteripaketet är inte laddat.	Kontrollera batteripaketets laddningskrav
Batteripaketet vill inte ladda.	Laddaren är inte inkopplad.  Omgivande lufttemperatur är för varm eller för kall.	Koppla in laddaren i ett fungerande eluttag.  Flytta laddaren och batteripaketet till en omgivande lufttemperatur över 4,5 °C eller under +40,5 °C
Enheten stängs av plötsligt.	Batteripaketet ha nått dess maximala termiska gräns.  Utan laddning. (För att maximera livslängden för batteripaketet är de designat att stängas av plötsligt när laddningen är slut	Låt batteripaketet svalna.  Placera in laddaren för att ladda.

## Underhåll

Diit BLACK+DECKER verktyg har designats att fungera under lång tid med minimalt underhåll. Fortsatt tillfredsställande drift beror korrekt verktygsvård och regelbunden rengöring. Din laddare kräver inget underhåll förutom regelbunden rengöring.

**Varning!** Innan något underhåll görs på verktyget, ta bort batteriet från verktyget. Koppla ifrån laddaren innan den rengörs.

- ◆ Rengör regelbundet ventilationsöppningarna på verktyget och laddaren med en mjuk borste eller en torr trasa.
- ◆ Rengör regelbundet motorhöljet med en fuktig trasa. Använd inte slipande eller lösningsmedelsbaserat rengöringsmedel.
- ◆ Öppna regelbundet chucken och knacka för att ta bort damm från insidan.

## Skydda miljön



Separat insamling. Produkter och batterier som är märkta med denna symbol får inte kastas i de vanliga hushållsoporna.

Produkter och batterier innehåller material som kan återvinnas och återanvändas vilket minskar behovet av råmaterial.

Återvinn elektriska produkter och batterier i enlighet med lokala bestämmelser. Ytterligare information finns tillgängligt på [www.2helpU.com](http://www.2helpU.com)

## Tekniska data

		BCD003
Spänning	$V_{DC}$	18
Obelastat varvtal	$\text{Min}^{-1}$	0 - 360/0 - 1400
Max. vridmoment	Nm	45
Chuckkapacitet	mm	1-10
Max. borrhåldjup		
Stålträwood/Murverk	mm	10/25/10
Vikt	kg	0,9 (med batteri 1,3)

Laddare		90589867	90590287-06	90634971
Ingående spänning	$V_{DC}$	230	230	230
Utgående spänning	$V_{DC}$	18	18	18
Ström	mA	200	400	1A
Ungefärlig laddningstid	Timmar	8	3 - 5	1,5

		BL1518
Spänning	$V_{DC}$	18
Kapacitet	Ah	1,5
Typ		Li-jon

Ljudtrycksnivå enligt EN 60745:	
Ljudtryck ( $L_{pA}$ )	86,0 dB(A), osäkerhet (K) 3 dB(A)
Ljudeffekt ( $L_{WA}$ )	97,0 dB(A), osäkerhet (K) 3 dB(A)

Vibration totalvärde (triax vektorsumma) enligt EN 60745:	
Borning i betong ( $a_{h,D}$ )	6,8 $\text{m/s}^2$ , osäkerhet (K) 1,5 $\text{m/s}^2$
Borning i metall ( $a_{h,D}$ )	1,8 $\text{m/s}^2$ , osäkerhet (K) 1,5 $\text{m/s}^2$

## EG deklARATION om överensstämmelse MASKINDIREKTIVET



BCD003 - slagborr

Black & Decker deklarerar att dessa produkter som beskrivs under "tekniska data" uppfyller: 2006/42/EG, EN60745-1:2009+A11:2010, EN60745-2-1:2010, EN60745-2-2:2010.

Dessa produkter uppfyller också direktiv 2014/30/EU och 2011/65/EU. För ytterligare information kontakta Black & Decker på följande adress eller se baksidan på denna manual.

Undertecknad ansvarig för kompilering av den tekniska filen och gör denna deklARATION på Black & Deckers vägnar.

R. Laverick  
Engineering Manager  
Black & Decker Europe, 210 Bath Road, Slough,  
Berkshire, SL1 3YD  
Storbritannien  
05/04/2018

## Garanti

Black & Decker är säkra på kvaliteten på deras produkter och erbjuder kunderna 24 månaders garanti från inköpsdatumet. Denna garanti är ett tillägg och påverkar inte i något hänseende dina lagstadgade rättigheter. Garantin gäller inom medlemsländernas territorium i Europeiska unionen och det Europeiska frihandelsområdet.

För garantibegäran måste begäran vara i enlighet med Black & Deckers villkor och du behöver skicka med ett bevis på köpet till säljaren eller en auktoriserad serviceagent.

Villkoren i Black & Deckers tvååriga garanti och var din närmaste auktoriserade reparatör finns kan erhållas på internet på [www.2helpU.com](http://www.2helpU.com), eller genom att kontakta ditt lokala Black & Decker kontor på adressen som anges i denna manual.

Besök vår webbsida [blackanddecker.co.uk](http://blackanddecker.co.uk) för att registrera din nya Black & Decker produkt och få uppdateringar om nya produkter och specialerbjudanden.

## Tiltenkt bruk

Din BLACK+DECKER BCD003 - boremaskin er designet for skrutrekking og for boring i tre, metall og plast. Sette verktøyet er kun ment for privat bruk.

## Sikkerhetsinstruksjoner

### Generelle sikkerhetsadvarsler for elektroverktøy



**Advarsel! Les alle sikkerhetsadvarsler og instruksjoner.** Hvis du ikke følger advarslene og instruksjonene under, kan dette resultere i elektrisk støt, brann og/eller alvorlig personskade.

**Ta vare på alle advarsler og instruksjoner for fremtidig bruk.** Termen "elektroverktøy" i advarslene under viser til ditt strøm-drevne (med ledning) eller batteridrevne (trådløse) elektroverktøy.

#### 1. Sikkerhet på arbeidsområdet

- Hold arbeidsområdet ryddig og godt opplyst.** Rotete eller mørke områder er en invitasjon til ulykker.
- Du skal ikke bruke elektroverktøy i eksplosive atmosfærer slik som hvor det finnes antennbare væsker, gasser eller støv.** Elektriske verktøy skaper gnister som kan antenne støvet eller gassene.
- Hold barn og tilskuere borte når du bruker elektroverktøyet.** Forstyrrelser kan føre til at du mister kontrollen over verktøyet.

#### 2. Elektrisk sikkerhet

- Verktøyet støpsel må passe til stikkontakten. Du skal ikke modifisere støpset på noen måte. Du skal ikke bruke adapterstøpsler med jordede elektroverktøy.** Umodifiserte støpsler og passende stikkontakter vil redusere faren for elektrisk støt.
- Unngå kroppskontakt med jordede overflater slik som rør, radiatorer, komfyrer og kjøleskap.** Det er fare for elektrisk støt hvis kroppen din er jordat.
- Ikke eksponer elektroverktøy for regn eller våte forhold.** Vann som kommer inn i et elektroverktøy vil øke faren for elektrisk støt.
- Ikke misbruk ledningen. Du skal aldri bruke ledningen til å bære, dra eller til å plugge ut elektroverktøyet. Hold ledningen unna varme, olje, skarpe kanter og bevegelige deler.** Ødelagte eller kveilede ledninger øker faren for elektrisk støt.
- Når du bruker elektroverktøyet utendørs skal du bruke en skjøteledning som er tiltenkt utendørs bruk.** Bruk av en skjøteledning som passer til utendørs bruk reduserer faren for elektrisk støt.

- Hvis det er uunngåelig å bruke verktøyet på et fuktig sted skal du bruke en jordfeilbryter (RCD).** Bruk av en RCD reduserer faren for elektrisk støt.

#### 3. Personlig sikkerhet

- Vær oppmerksom, pass på hva du gjør og bruk sunn fornuft ved bruk av et elektroverktøy. Ikke bruk verktøyet når du er trett eller under påvirkning av rusmidler, alkohol eller medisiner.** Et øyeblikks uoppmerksomhet ved bruk av et elektroverktøy kan føre til alvorlig personskade.
- Bruk personlig verneutstyr. Du skal alltid bruke vernebriller.** Beskyttelsesutstyr slik som støvmaske, skliskre vernesko, hjelm eller hørselsvern som brukes under passende forhold reduserer faren for personskader.
- Unngå utilsiktet starting. Forsikre deg om at bryteren er i av-posisjon før du plugges og/eller setter inn batteripakken, løfter eller bærer verktøyet.** Ved å bære elektroverktøy med fingeren på avtrekkeren eller ved å koble en energikilde til elektroverktøy som har bryteren på kan føre til ulykker.
- Fjern justeringsnøkkel før du skrur elektroverktøyet på.** En nøkkel som sitter på en roterende del av elektroverktøyet kan føre til personskade.
- Strekk deg ikke for langt. Hold stødig grep med bena og ha god balanse hele tiden.** Dette gir bedre kontroll over elektroverktøyet i uventede situasjoner.
- Kle deg skikkelig. Ikke ha på løse klær eller smykker. Hold hår, klær og hansker unna bevegelige deler.** Løse klær, smykker eller langt hår kan sette seg fast i bevegelige deler.
- Hvis du har støvsuger og støvsamler, skal du forsikre deg om at de er festet skikkelig og brukes på riktig måte.** Bruk av støvsuger kan redusere støvrelaterte farer.

#### 4. Bruk og vedlikehold av elektroverktøy

- Ikke bruk makt på elektroverktøyet. Bruk riktig elektroverktøy for ditt bruk.** Det riktige elektroverktøyet vil gjøre jobben bedre og sikrere i området det er designet for.
- Ikke bruk verktøyet dersom det ikke kan slås på og av ved hjelp av bryteren.** Et verktøy som ikke kan kontrolleres med bryteren er farlig og må repareres.
- Koble kontakten fra strømkilden og/eller batteripakken fra elektroverktøyet før du utfører justeringer, endrer tilbehør eller lagrer elektroverktøyet.** Slike forebyggende sikkerhetstiltak reduserer faren for at elektroverktøyet starter ved et uhell.
- Oppbevar verktøy utenfor barns rekkevidde og ikke tillat personer som ikke er kjent med maskinen eller bruksanvisningen å håndtere verktøyet.** Elektroverktøy er farlige i hendene på brukere uten opplæring.

- e. **Vedlikehold elektroverktøy. Kontroller for skjevheter eller fastkjørte bevegelige deler, brukne deler og andre forhold som kan påvirke elektroverktøys drift. Hvis det er skadet skal du få elektroverktøyet reparert før bruk.** Mange ulykker oppstår på grunn av dårlig vedlikehold av elektroverktøy.
- f. **Hold kutteverktøy skarpe og rene.** Riktig vedlikeholdte kutteverktøy kjører seg ikke lett fast og er enklere å kontrollere.
- g. **Bruk elektroverktøyet, tilbehøret og verktøybits etc. i samsvar med disse instruksjonene og ta hensyn til arbeidsforhold og arbeidet som skal utføres.** Bruk av elektroverktøyet til annen bruk enn den tiltenkte kan føre til farlige situasjoner.

## 5. Bruk og vedlikehold av batteridrevne verktøy

- a. **Du skal kun lade med en lader som er spesifisert av produsenten.** En lader som passer en type batteripakke kan være brannfarlig når den brukes med en annen batteripakke.
- b. **Bruk elektriske verktøy kun med spesielt tiltenkte batteripakker.** Bruk av andre batteripakker kan føre til fare for brann.
- c. **Når batteripakken ikke er i bruk, hold den unna metallobjekter som binders, mynter, spikere, skruer eller andre små metallgjenstander som kan kortslutte fra en kontakt til den andre.** Kortslutning av batterikontaktene kan føre til brannskader eller brann.
- d. **Under tunge forhold kan det komme væske ut av batteriet, unngå kontakt med den. Dersom du utilsikket kommer i kontakt med væsken, skyl med vann. Dersom du får væsken i øynene, søk også medisinsk hjelp.** Væske fra batteriet kan føre til irritasjoner eller etseskader.

## 6. Service

- a. **La elektroverktøyet få service av en kvalifisert reparatør og bruk kun identiske reservedeler.** Dette sikrer at sikkerheten ved elektroverktøyet opprettholdes.

## Ekstra sikkerhetsadvarsler for elektroverktøy



**Advarsel!** Ekstra sikkerhetsanvisninger for boremaskiner

- ◆ **Bruk ekstrahåndtakene som følger med verktøyet.** Tap av kontroll kan føre til personskader.
- ◆ **Hold elektroverktøyet på de isolerte gripeoverflatene når du utfører arbeid hvor kuttetilbehøret kan komme i kontakt med skjulte ledninger.** Kuttetilbehør som kommer i kontakt med strømførende ledninger gjør eksponerte metalldele av elektroverktøyet strømførende og kan gi brukeren elektrisk støt.

- ◆ **Hold elektroverktøyet på de isolerte gripeoverflatene når du utfører arbeid hvor kuttetilbehøret/skruen kan komme i kontakt med skjulte ledninger.** Skruer/tilbehør som kommer i kontakt med strømførende ledninger gjør eksponerte metalldele av elektroverktøyet strømførende og kan gi brukeren elektrisk støt.
- ◆ **Bruk klemmer eller en annen praktisk måte til å sikre og støtte arbeidsstykket til en stabil plattform.** Ved å holde arbeidet i hånden eller mot kroppen gjør det ustabil og kan føre til tap av kontroll.
- ◆ **Før du borer i vegger, gulv eller tak skal du sjekke hvor det er ledninger og rør.**
- ◆ **Unngå å ta på tuppen av drillbiten rett etter boring da den kan være varm.**
- ◆ **Tiltenkt bruk er beskrevet i denne bruksanvisningen.** Bruk av noe tilbehør eller utførelse av noe arbeid med dette verktøyet annet enn det som er beskrevet i denne bruksanvisningen utgjør en fare for personskader og/eller materielle skader.

## Andres sikkerhet

- ◆ Dette verktøyet er ikke tiltenkt for bruk av personer (inkludert barn) med reduserte fysiske, sansemessige eller mentale evner, eller som ikke har erfaring og kunnskap, hvis de ikke holdes oppsyn med eller gitt instruksjon som angår bruk av verktøyet av en person som er ansvarlig for deres sikkerhet.
- ◆ Barn skal holdes oppsyn med for å forsikre at de ikke leker med verktøyet.

## Restrisikoer

Restrisikoer kan oppstå når du bruker verktøyet, som ikke er inkludert i sikkerhetsadvarslene. Disse farene kan oppstå fra misbruk, langtidsbruk etc.

Selv ved overholdelse av de relevante sikkerhetsregler og implementering av sikkerhetsutstyr, kan visse restrisikoer ikke unngås. Disse inkluderer:

- ◆ Personskader forårsaket av roterende/bevegelige deler.
- ◆ Personskader som oppstår under skifte av deler, blader eller tilbehør.
- ◆ Personskader forårsaket av langtidsbruk av verktøyet. Når du bruker verktøyet over lang tid, må du forsikre at tar regelmessige pauser.
- ◆ Hørselskader.
- ◆ Helsefarer forårsaket av innpusting av støv som utvikler seg når du bruker verktøyet (for eksempel når du jobber med tre, spesielt eik, bok og MDF.)

## Vibrasjon

De deklarererte vibrasjonsutslippsverdiene som er oppgitt i teknisk data og samsvarserklæringen har blitt målt i samsvar med en standard testmetode gitt av EN 60745 og kan brukes til å sammenligne et verktøy med et annet.

De erklærte vibrasjonsutslippsverdiene kan også brukes i foreløpig vurdering av eksponering.

**Advarsel!** Vibrasjonverdier under faktisk bruk av elektroverktøyet kan være ulikt fra de erklærte verdiene, avhengig av måten verktøyet blir brukt på. Vibrasjonsnivået kan øke over det angitte nivået.

Ved vurdering av vibrasjonseksponering for å fastsette sikkerhetstiltak i henhold til 2002/44/EU for beskyttelse av personer som regelmessig bruker elektroverktøy, skal estimatet av vibrasjonseksponeringen ta hensyn til de virkelige bruksforholdene og bruksmåten for verktøyet, inkludert å ta hensyn til alle deler av bruksyklusen så som tidsperioder der verktøyet er avslått og tomgangstider, i tillegg til virkelig aktiv bruk.

### Merker på verktøyet

De følgende symbolene vises på verktøyet sammen med datokoden:



**Advarsel!** For å redusere risikoen for personskader, må brukeren lese bruksanvisningen.



Bruk hørselsvern når du bruker slagboremaskiner. Eksponering for støy kan føre til hørselstap.

### Ekstra sikkerhetsanvisninger for batterier og batteriladere

#### Batterier

- ◆ Du skal aldri prøve å åpne strømadapteren av noen grunn.
- ◆ Ikke utsett batteriet for vann.
- ◆ Skal ikke lagres på steder der temperaturen kan overstige 40 °C.
- ◆ Skal bare lades ved omgivelsestemperaturer mellom 10 °C og 40 °C.
- ◆ Skal kun lades med laderen som fulgte med verktøyet.
- ◆ Ved avhengning av batterier, følg instruksene i avsnittet "Miljøvern".



Ikke forsøk å lade defekte batterier.

#### Ladere

- ◆ Bruk BLACK+DECKER laderen kun for lading av batteriet om fulgte med verktøyet. Andre batterier kan eksplodere og føre til personskafer og materielle skader.
- ◆ Forsøk aldri å lade ikke-ladbare batterier.
- ◆ Få skadede strømkabler skiftet ut snarest.
- ◆ Ikke utsett laderen for vann.
- ◆ Ikke åpne laderen.

- ◆ Ikke stikk noe inn i laderen.



Laderen er kun ment for privat bruk.



Les bruksanvisningen før bruk.

### Elektrisk sikkerhet



Dette verktøyet er dobbelisolert, og derfor trengs ikke jording. Du skal alltid sjekke at strømforsyningen samsvarer med spenningen på typeskiltet. Forsøk aldri i bytte ut laderenheten med en vanlig strømadapter.

- ◆ Hvis strømledningen er skadet, må den byttes av produsenten eller et autorisert BLACK+DECKER servicesenter for å unngå farer.

### Egenskaper

Dette verktøyet har noen eller alle av disse egenskapene.

1. Bryter variabel hastighet
2. Skyvbryter forover/bakover
3. Momentjusteringskrage
4. Nøkkelløs chuck
5. To-område gir
6. LED arbeidslampe
7. Batteri
8. Utløserknapp for batteri

### Montering

#### Bruk

**Advarsel!** La verktøyet jobbe i eget tempo. Ikke overbelast.

#### Lade batteriet (figur A1, A2)

Batteriet må lades før første gangs bruk og hver gang det ikke lenger gir tilstrekkelig effekt ved jobber som gikk lett før. Batteriet kan bli varmt ved lading, dette er normalt og tyder ikke på noen feil.

**Advarsel!** Ikke lade batteriet ved temperaturer under 10 °C eller over 40 °C. Anbefalt ladetemperatur: omtrent 24 °C.

**Merk:** Laderen vil ikke lade batteriet dersom temperaturen er under omtrent 10 °C eller over 40 °C.

**Batteriet bør bli stående i laderen og laderen vil starte automatisk lading når celletemperaturen stiger eller synker igjen.**

- ◆ Plugg laderen (9) inn i en standard stikkontakt 230 volt 50 Hz.
- ◆ Skyv batteriet (7) inn i laderen som vist i figur A1,A2.



LED-lyset (9a) vil blinke for å indikere at batteriet lades.



Fullført lading vises ved at LED-lyset (9a) er på konstant. Pakken er da fullt oppladet og kan brukes, eller den kan bli stående i

laderen.

**Advarsel!** Fare for brann. Når du tar batteriet ut av laderen, pass på å trekke støpselet ut av stikkkontakten først, deretter kan du ta batteriet ut av laderen.

## Laderdiagnose

Denne laderen er designet for å registrere visse problemer som kan oppstå ved laderen eller strømkilden. Problemer vises ved at en LED blinker i ulike mønstre.

## Dårlig batteri



Laderen kan registrere et svakt eller skadet batteri. LED blinker i mønster som angitt på etiketten. Dersom du ser blinkemønstret for

dårlig batteri, ikke fortsett lading av batteriet. Sen det til et servicesenter eller deponer det på en gjenbruksstasjon.

## Varm/kald pakkeforsinkelse



Når laderen oppdager en batteripakke som er alt for varm eller kald, vil den straks starte en varm/kald pakkeforsinkelse og opphøre å

lade til batteripakken har nådd passende temperatur. Etter det vil laderen automatisk skifte til lademodus for pakken. Denne egenskapen sikrer maksimal levetid av batteripakken.

Lyset blinker i mønster som angitt på etiketten.

## La batteriet stå i laderen

Laderen og batteripakken kan forbli tilkoblet og LED-lyset vil lyse permanent. Laderen vil holde batteripakken frisk og fullt oppladet. Denne laderen har en automatisk tuning-modus som utjevner eller balanserer de separate cellene i batteripakken for å gi topp kapasitet. Batteripakker bør tunes hver uke eller når batteriet ikke lenger gir samme effekt for arbeidet. For å bruke modusen med automatisk tuning, sett batteripakken og la den stå der i minst 8 timer.

## Viktige merknader om lading

- ◆ Lengst levetid og best ytelse kan oppnås når batteriet lades ved lufttemperaturer mellom 18 ° – 24 °C. IKKE lade batteripakken ved temperatur under +4,5 °C eller over +40 °C. Dette er viktig og vil forhindre alvorlige skader på batteripakken.
- ◆ Laderen og batteripakken kan bli varme ved lading. Dette er normalt og tyder ikke på noe problem.

For bedre kjøling av batteripakken etter bruk, unngå å sette laderen eller batteripakken i et varmt miljø som i et metall-skur eller uisolert container.

- ◆ Dersom batteripakken ikke lades ordentlig:
  - ◆ Sjekk funksjonen av stikkkontakten ved å plukke inn en lampe eller annet utstyr;
  - ◆ Sjekk om stikkkontakten er koblet til en lys-bryter som slår strømmen av når du slår av lysene;
  - ◆ Flytt laderen og batteripakken til et sted der omgivelseslufttemperaturen er omtrent 18 ° – 24 °C;
  - ◆ Dersom ladeproblemet vedvarer, ta med verktøy, batteri-pakken og laderen til ditt lokale servicesenter.
- ◆ Batteripakken skal lades når den ikke lenger gir tilstrekkelig effekt til jobber som tidligere var lett å gjøre. IKKE FORTSETT bruken under disse forholdene. Følg ladeprosedyren. Du kan også lade en delvis oppladet pakke når som helst du ønsker det, med ingen negativ effekt på batteripakken.
- ◆ Fremmedlegemer som leder strøm, så som - men ikke begrenset til - slipestøv, metallspen, stålull, aluminiumsfolie eller annen oppbygging av metalliske partikler skal holdes unna åpningene i laderen. Plugg ut laderen før du rengjør.
- ◆ Ikke utsett laderen for frost, og aldri senk den ned i vann eller noen annen væske.

## Sette inn og ta ut batteripakken på verktøyet (figur B)

**Advarsel!** Pass på at låseknappen (2) er satt på for å forhindre start før du setter inn eller tar ut batteriet.

For å sette inn batteripakken:

- ◆ Sett batteripakken (7) inn i verktøyet til du hører et klikke (figur B)

## Ta ut batteripakken av verktøyet (figur C)

- ◆ Trykk inn utløserknapp for batteriet (8) som vist i (figur C) og trekk batteripakken ut av verktøyet.

## Bruksanvisning

### Avtrekkerbryter og reversbryter (figur D)

- ◆ Boremaskinen slås PÅ og Av ved å trekke i og slippe avtrekkerbryteren (1). Desto mer du trykker avtrekkeren, desto større hastighet på drillen.
- ◆ Bryteren for forover/bakover og hastighet (2) avgjør retningen av verktøyet og fungerer også som hastighetskontroll.
- ◆ For å velge forover, slipp avtrekkeren og trykk fremover/revers-kontrollen til venstre.
- ◆ For å velge revers, trykk fremover/revers-kontrollen i motsatt retning.

**Merk:** Midtposisjonen av kontrollbryteren låser verktøyet i av-posisjon.



Ved endring av posisjon av kontrollbryteren, pass på at du har sluppet avtrekkeren.

### Momentkontroll (figur E)

Dette verktøyet er utstyrt med en momentjusteringskrage (3) for valg av driftsmodus og innstilling av moment ved trekking av skruer. Store skruer og arbeidsstykker av harde materialer krever høyere moment enn små skruer og arbeidsstykker av mykt materiale.

- ◆ For boring i tre, metall og plast, sett kragen til symbolet for boring.
- ◆ For skrutrekking, sett kragen til ønsket innstilling. Dersom du ikke ved hva som passer, gå frem som følger:
- ◆ Sett kragen til laveste momentinnstilling.
- ◆ Trekk til første skruer.
- ◆ Dersom clutchen slurer før ønsket resultat er oppnådd, øk innstillingen på kragen og fortsett tiltrekking av skruen. Gjenta helt til du har korrekt innstilling. Bruk denne innstilling for de neste skruene.

### Nøkkelløs chuck (figur F)

**Advarsel!** Pass på at låseknappen (2) er satt på for å forhindre start før du setter inn eller tar ut tilbehør.

For å sette inn en drill-bit eller annet tilbehør:

- ◆ Grip bakre del av chucken (4) med en hånd og bruk den andre hånden til å rotere fremre del mot klokken, som sett fra chuck-enden.
- ◆ Sett inn bit eller annet tilbehør i chuck, og trekk godt til ved å holde bakre del av chucken og dreie fremre del med klokken som sett fra chuck-enden.

**Advarsel!** Ikke forsøk å strøme drill-bit (eller annet tilbehør) ved å holde i fremre del av chucken og deretter slå på verktøyet. Det kan oppstå personskader og skader på chucken når du skifter tilbehør.

### To-område gir (figur G)

To-område funksjonen på boremaskinen lar deg skifte gir for større anvendelighet. For å velge lav hastighet, høyt moment (posisjon 1), slå av verktøyet og la det stoppe helt. Skyv girvelgerbryteren (5) bort fra chucken. For å velge høy hastighet, lavt moment (posisjon 2), slå av verktøyet og la det stoppe helt.

Skyv girvelgerbryteren mot chucken.

Merk: Ikke skift gir når verktøyet går. Dersom du har problemer med å skifte gir, pass på at to-område girbryteren er skjovet enten helt forover eller helt bakover.

### Boring/skruing

- ◆ Velg rotasjon fremover eller bakover ved å trykke fremover/revers skyvebryteren (2).
- ◆ For å skru verktøyet på trykk inn bryteren (1). Verktøyets hastighet avhenger av hvor langt du trykker bryteren.
- ◆ For å skru verktøyet av, slipp bryteren.

## Tips for optimal bruk

### Boring

- ◆ Du skal kun bruke skarpe drill-bits.
- ◆ Støtt opp og fest arbeidsstykket ordentlig, som angitt i sikkerhetsanvisningene.
- ◆ Bruk passende og påkrevet verneutstyr, som angitt i sikkerhetsanvisningene.
- ◆ Sikre og hold arbeidsområdet ryddig, som angitt i sikkerhetsanvisningene.
- ◆ Kjør boremaskinen svært langsomt helt til hullet er dypt nok til at drill-biten holdes på plass av seg selv.
- ◆ Legg på trykk i rett linje med bit-en. Bruk nok trykk for at drill-biten biter, men ikke så mye at motoren kjører seg fast eller bit-en sklir.
- ◆ Hold boremaskinen godt med to hender for å kontrollere rotasjonsreaksjonen.
- ◆ IKKE KLIKK PÅ OG AV MED AVTREKKEREN PÅ EN FASTKJØRT DRILL FOR Å FORSØKE Å STARTE DEN. DET KAN FØRE TIL SKADER PÅ DRILLEN.
- ◆ Minimer fastkjøring ved gjennombrudd ved å redusere trykket og bore sakte gjennom siste del av hullet.
- ◆ Hold motoren i gang når du trekker bit-en ut av et hull. Dette vil forhindre fastkjøring.
- ◆ Pass på at bryteren slår maskinen av og på.

### Boring i tre

Hull i tre bores med samme spiral-bits som brukes for metall, eller med spade-bits. Slike bits skal være skarpe og bør trekkes ut regelmessig under boring for å fjerne spon fra sporene.

### Boring i metall

Bruk en skjærevæske ved boring i metall. Unntakene er støpejern og messing, som bør bores tørt. De beste skjærevæskene er ssvovelholdig olje eller fettolje.

### Boring i murverk

For boring i murverk, sett kragen (3) til slag-boringsposisjon ved å rette inn symbolet med merket. Skyv hastighetsvelgeren (5) mot fronten av verktøyet (2. gir).

### Skruing

- ◆ Bruk alltid korrekt type og størrelse av skrutrekker-bit.
- ◆ Dersom skruene er vanskelig å trekke til, forsøk å påføre en liten mengde vaskemiddel eller såpe som smøring.
- ◆ Du skal alltid holde verktøyet og skrutrekkerbiten på rett linje med skruen

## Feilsøking

Problem	Mulig årsak	Mulig løsning
Enheten starter ikke.	Batteripakke ikke ladet.	Sjekk ladekravene for batteripakken
Batteripakke vil ikke lades.	Lader ikke plugges inn. Omgivelsesluften er for varm eller kald.	Plugg inn laderen i en fungerende stikkontakt.  Flytt lader og batteripakke til et sted der lufttemperaturen er over 40 grader F (4,5°C) eller under 105 grader F (+40,5°C)
Enheten slår seg av plutselig.	Batteripakken har nådd maksimal temperaturgrense.  Ikke ladet. (For maksimal levetid av batteripakken er den designet for å slå seg av plutselig ved lav lading)	La batteripakken kjøle seg ned.  Sett på lader og lad opp.

## Vedlikehold

Ditt BLACK+DECKER-verktøy er designet for å brukes i en lang tidsperiode med et minimum av vedlikehold. Fortsatt tilfredsstillende ytelse avhenger av skikkelig ivaretagelse av verktøyet og regelmessig rengjøring.

Laderen trenger ikke vedlikehold bortsett fra regelmessig rengjøring.

**Advarsel!** Før du foretar vedlikehold på verktøyet, ta batteriet ut av verktøyet. Plugg ut laderen før du rengjør den.

- ◆ Rengjør ventilasjonshullene på verktøyet og laderen regelmessig ved bruk av en myk børste eller tørr klut.
- ◆ Rengjør motorhuset regelmessig ved bruk av en fuktig klut. Ikke bruk skure eller løsemiddelbaserte vaskemidler.
- ◆ Åpne chucken regelmessig og dunkle lett på den for å fjerne alt støv fra innsiden.

## Miljøvern



Separat innsamling. Produkter og batterier som er merket med dette symbolet skal ikke kastes med vanlig husholdningsavfall.

Produkter og batterier inneholder materialer som kan resirkuleres eller gjenbrukes for å redusere etterspørselen for råmaterialer.

Resirkuler elektriske produkter og batterier i henhold til lover og regler. Ytterligere informasjon finner du på [www.2helpU.com](http://www.2helpU.com)

## Teknisk data

		BCD003
Spenning	$V_{DC}$	18
Ubelastet hastighet	$\text{Min}^{-1}$	0 - 360/0 - 1400
Maks. moment	Nm	45

		BCD003
Chuck-kapasitet	mm	1-10
Maks. borekapasitet		
Stål/tre/murverk	mm	10/25/10
Vekt	kg	0,9 (med batteri 1,3)

Lader		90589867	90590287-06	90634971
Inngangsspenning	$V_{AC}$	230	230	230
Utgangsspenning	$V_{DC}$	18	18	18
Strøm	mA	200	400	1A
Omtrentlig ladetid	Timer	8	3 - 5	1,5

		BL1518
Spenning	$V_{AC}$	18
Kapasitet	Ah	1,5
Type		Li-ion

Lydtrykksnivå i henhold til EN 60745:	
Lydtrykk ( $L_{pA}$ )	86,0 dB(A), usikkerhet (K) 3 dB(A)
Lydeffekt ( $L_{WA}$ )	97,0 dB(A), usikkerhet (K) 3 dB(A)

Vibrasjon totalverdier (triaks vektorsum) i henhold til EN 60745:	
Boring i betong ( $a_{nD}$ )	6,8 m/s <sup>2</sup> , usikkerhet (K) 1,5 m/s <sup>2</sup>
Boring i metall ( $a_{nD}$ )	1,8 m/s <sup>2</sup> , usikkerhet (K) 1,5 m/s <sup>2</sup>

## EU-samsvarserklæring MASKINDIREKTIV



BCD003 - Slagboremaskin

Black & Decker erklærer at disse produktene beskrevet under "teknisk data" er i samsvar med: 2006/42/EC, EN60745-1:2009+A11:2010, EN60745-2-1:2010, EN60745-2-2:2010.

Disse produktene samsvarer også med direktiv 2014/30/EU og 2011/65/EU. For mer informasjon, kontakt Black & Decker på følgende adresse eller se bakerst i bruksanvisningen.

Undertegnede er ansvarlig for opprettelse av teknisk dokumentasjon og avgir denne erklæringen på vegne av Black & Decker.



R. Laverick  
Engineering Manager  
Black & Decker Europe, 210 Bath Road, Slough,  
Berkshire, SL1 3YD  
Storbritannia  
06/04/2018

## Garanti

Black & Decker er sikker på kvaliteten på sine produkter og tilbyr sine kunder en 24 måneders garanti fra kjøpsdato. Denne garantien kommer i tillegg til og kommer ikke i veien for dine lovbestemte rettigheter. Garantien er gyldig innen landområdene til medlemslandene i EU og i EØS.

For å benytte deg av garantien, må kravet være i henhold til Black & Decker vilkår og du må fremskaffe kjøpsbevis til forhandleren eller en autorisert reparasjonstekniker.

Betingelser og vilkår av Black & Decker 2 års garanti og hvor du finner din nærmeste autoriserte reparasjonstekniker kan du finne på [www.2helpU.com](http://www.2helpU.com), eller ved å kontakte ditt lokale Black & Decker kontor på adressen i denne bruksanvisningen.

Besøk vår nettside [www.blackanddecker.no](http://www.blackanddecker.no) for å registrere ditt nye Black & Decker produkt og få oppdateringer om nye produkter og spesialtilbud.

## Tilsigtet brug

Din BLACK+DECKER BCD003 - slagboremaskine er blevet udformet til skruingsopgaver og til boring i træ, metal og murværk. Dette værktøj er kun beregnet til forbrugeranvendelse.

## Sikkerhedsinstruktioner

### Generelle sikkerhedsadvarsler for elværktøj



**Advarsel! Læs alle sikkerhedsadvarsler og alle instruktioner.** Hvis nedenstående advarsler og instruktioner ikke følges, er der risiko for elektrisk stød, brand og/eller alvorlige kvæstelser.

### Gem alle advarsler og instruktioner til fremtidig reference.

Udtrykket "elværktøj" i alle advarslerne angivet herunder henviser til dit strømbetjente (ledningsførte) elværktøj eller dit batteridrevne (ledningsfrie) elværktøj.

#### 1. Sikkerhed på arbejdsområdet

- Hold arbejdsområdet rent og godt belyst.** Rodede eller mørke områder giver anledning til ulykker.
- Brug ikke elværktøj i områder med eksplosionsfare som f.eks. nær letantændelige væsker, gasser eller støv.** Elektrisk værktøj danner gnister, som kan antænde støv eller dampe.
- Hold børn og tilskuere væk, mens du betjener et elværktøj.** Distraktioner kan få dig til at miste kontrol.

#### 2. Elektrisk sikkerhed

- Elværktøjsstik skal passe til stikkontakten. Stikket må på ingen måde modificeres. Brug ikke adapterstik med jordforbundne (tilsluttede) elværktøjer.** Ikke-modificerede stik og tilsvarende stikkontakter reducerer risikoen for stød.
- Undgå kropskontakt med jordforbundne overflader såsom rør, radiatorer, komfurer og køleskabe.** Der er en forøget risiko for elektrisk stød, hvis din krop får jordforbindelse.
- Elværktøjer må ikke udsættes for regn eller fugt.** Vand, der trænger ind i et elværktøj, øger risikoen for stød.
- Misbrug ikke ledningen. Ledningen må aldrig bruges til at bære, trække eller frakoble elværktøjet. Hold ledningen væk fra varme, olie, skarpe kanter eller dele i bevægelse.** Beskadigede eller sammenfiltrede ledninger øger risikoen for stød.
- Under betjening af et elværktøj udendørs skal du bruge en forlængerledning, der er velegnet til udendørs brug.** Ved brug af en ledning, der er velegnet til udendørs brug, reduceres risikoen for elektrisk stød.
- Brug en strømkilde med fejlstrømsrelæ, hvis det er nødvendigt at anvende elværktøj på fugtige steder.**

Ved at benytte en fejlstrømsafbryder reduceres risikoen for elektrisk stød.

### 3. Personlig sikkerhed

- a. **Vær opmærksom, hold øje med hvad du gør, og brug almindelig sund fornuft, når du anvender et elværktøj. Brug ikke et elværktøj, når du er træt eller påvirket af stoffer, alkohol eller medicin.** Et øjeblik uopmærksomhed under betjening af elværktøj kan forårsage alvorlige personskader.
- b. **Anvend personligt beskyttelsesudstyr. Anvend altid øjenbeskyttelse.** Beskyttelsesudstyr såsom støvmaske, skridsikre sikkerhedssko, hjelm eller høreværn, der bruges til passende forhold, reducerer personskader.
- c. **Undgå utilsigtet start. Sørg for, at kontakten er i sluk-position, inden du tilslutter strømkilden og/eller batteripakken, tager værktøjet op eller bærer det.** Hvis du bærer elværktøj med din finger på kontakten eller strømfører elværktøj, der har kontakten tændt, kan der nemt ske ulykker.
- d. **Fjern evt. justeringsnøgle, inden du tænder for elværktøjet.** En nøgle, der efterlades fastgjort til en roterende del af elværktøjet, kan resultere i personskade.
- e. **Ræk ikke for langt. Bevar altid et godt fodfæste og en god balance.** Dette giver bedre kontrol over elværktøjet i uventede situationer.
- f. **Klæd dig ordentligt på. Undlad at bære løstsiddende tøj eller smykker. Hold hår, tøj og handsker væk fra dele i bevægelse.** Løstsiddende tøj, smykker eller langt hår kan blive fanget i bevægelige dele.
- g. **Hvis der leveres enheder til tilslutningen af støvudsugnings- og opsamlingsudstyr, skal du sørge for, at disse tilsluttes og anvendes korrekt.** Brug af støvopsamling kan reducere støvrelaterede farer.

### 4. Brug og pleje af elværktøj

- a. **Tving ikke elværktøjet. Brug det korrekte elværktøj til dit arbejde.** Det korrekte elværktøj vil udføre arbejdet bedre og mere sikkert i den hastighed, det blev udviklet til.
- b. **Brug ikke elværktøjet, hvis kontakten ikke tændes og slukkes.** Ethvert elværktøj, der ikke kan kontrolleres med kontakten, er farligt og skal repareres.
- c. **Tag stikket ud af strømkilden og/eller batteripakken ud af elværktøjet, inden du foretager justeringer, udskifter tilbehør eller opbevarer elværktøjer.** Disse forebyggende sikkerhedsforanstaltninger reducerer risikoen for at starte elværktøj ved et uheld.
- d. **Opbevar elektrisk værktøj uden for rækkevidde af børn, og tillad ikke personer, som ikke er bekendt med elværktøjet eller disse anvisninger, at betjene elværktøjet.** Elværktøjer er farlige i hænderne på uøvede brugere.

- e. **Vedligehold elværktøj. Se efter fejlindstilling eller binding af dele i bevægelse, ødelæggelse af dele og andre tilstande, som kan påvirke elværktøjernes betjening.** Hvis de beskadiges, skal elværktøjet repareres inden brug. Mange ulykker skyldes dårligt vedligeholdte elværktøjer.
- f. **Hold skæreværktøjer skarpe og rene.** Korrekt vedligeholdte skæreværktøjer med skarpe skærekanten har mindre sandsynlighed for at binde og er nemmere at styre.
- g. **Brug elværktøjet, tilbehøret og værktøjsbor osv. i overensstemmelse med disse anvisninger, mens du tager hensyn til arbejdsforholdene og det arbejde, der skal udføres.** Brug af elværktøjet til andre opgaver end de beregnede kan resultere i en farlig situation.

### 5. Brug og pleje af batteriværktøj

- a. **Genoplad kun med opladeren specificeret af producenten.** En oplader, der er velegnet til én type batteripakke, kan give risiko for brand, når den bruges med en anden batteripakke.
- b. **Brug kun elværktøj med batteripakker, der er beregnet specifikt til dette.** Bruges andre batteripakker, kan der opstå fare for personskade og brand.
- c. **Når batteripakken ikke er i brug, skal den holdes på afstand af andre metalgenstande, såsom papirclips, mønter, nøgler, søm, skruer eller andre små metalgenstande, der kan skabe en forbindelse fra den ene terminal til den anden.** Kortslutning mellem batteriterminaler kan forårsage forbrændinger eller en brand.
- d. **Under grove forhold kan der muligvis blive udskudt væske fra batteriet; undgå kontakt.** Hvis der utilsigtet opstår kontakt, skal der skylles med vand. Hvis væske kommer i kontakt med øjne, bør der derudover søges lægehjælp. Væske fra batteriet kan forårsage irritation eller forbrændinger.

### 6. Service

- a. **Få en kvalificeret reparatør til at foretage service på dit elværktøj, udelukkende med identiske reservedele.** Dette sikrer, at elværktøjets sikkerhed bevares.

### Yderligere sikkerhedsadvarsler for elværktøj



**Advarsel!** Yderligere sikkerhedsadvarsler for boremaskiner

- ◆ **Brug hjælpehåndtag, der fulgte med værktøjet.** Tab af kontrol kan forårsage personskade.
- ◆ **Hold elværktøj i de isolerede grebflader, når du udfører en opgave, hvor skæretilbehøret kan komme i kontakt med skjulte ledninger.**

Hvis skæretilbehør kommer i kontakt med en strømførende ledning, kan det gøre blottede metaldele på værktøjet strømførende, hvilket kan give operatøren et elektrisk stød.

- ◆ **Hold elværktøj i de isolerede gribeblader, når du udfører en opgave, hvor fastgørelseselementet kan komme i kontakt med skjulte ledninger.** Hvis fastgørelseselementer kommer i kontakt med en strømførende ledning, kan det gøre blottede metaldele på værktøjet strømførende, hvilket kan give operatøren et elektrisk stød.
- ◆ **Brug klampen eller en anden praktisk måde at sikre og støtte arbejdsemnet på en stabil platform.** Hvis du holder arbejdsemnet i hånden eller mod din krop, bliver det ustabil, hvilket kan føre til tab af kontrol.
- ◆ Inden du borer i vægge, gulve eller lofter, skal du se efter placeringen af ledninger og rør.
- ◆ Undgå at berøre spidsen af et borehoved lige efter at have boret, da det kan være meget varmt.
- ◆ Den beregnede brug er beskrevet i denne brugsvejledning. Hvis du bruger tilbehør eller udfører handlinger med dette værktøj, der ikke anbefales i denne brugsvejledning, kan det udgøre en risiko for personskade og/eller beskadigelse af ejendom.

## Andres sikkerhed

- ◆ Dette værktøj er ikke beregnet til at blive anvendt af personer (herunder børn) med reducerede fysiske, sansemæssige eller mentale evner, eller manglende erfaring og viden, med mindre de er under opsyn eller har fået vejledning i værktøjets brug af en person, som er ansvarlig for deres sikkerhed.
- ◆ Børn bør holdes under opsyn for at sikre, at de ikke leger med apparatet.

## Residualrisici

Yderligere residualrisici kan opstå, når værktøjet bruges, hvilket muligvis ikke er inkluderet i de medfølgende sikkerhedsadvarsler. Disse risici kan opstå i forbindelse med misbrug, længerevarende brug osv.

Selv med anvendelsen af de relevante sikkerhedsbestemmelser og implementeringen af sikkerhedsanordninger kan visse residualrisici ikke undgås. Disse omfatter:

- ◆ Personskader forårsaget ved berøring af roterende dele/dele i bevægelse.
- ◆ Personskader forårsaget ved udskiftning af dele, klinger eller tilbehør.
- ◆ Personskader forårsaget af længerevarende brug af et værktøj. Når du bruger et værktøj gennem længere perioder, bør du sørge for at tage regelmæssige pauser.
- ◆ Nedsat hørelse.

- ◆ Sundhedsfarer forårsaget af indånding af støv, der udvikles under brug af dit værktøj (f.eks.: -arbejde med træ, især eg, bøg og MDF.)

## Vibration

De erklærede vibrationsemissionsværdier angivet i de tekniske data og overensstemmelseserklæringen er blevet målt i overensstemmelse med en standardtestmetode ifølge EN 60745 og kan bruges til at sammenligne et værktøj med et andet. Den erklærede vibrationsemissionsværdi kan også bruges i en indledende eksponeringsvurdering.

**Advarsel!** Vibrationsemissionsværdien under den reelle brug af elværktøjet kan variere fra den erklærede værdi, afhængigt af de måder værktøjet bruges på. Vibrationsniveauet kan stige til over det angivne niveau.

Under vurdering af vibrationseksponering for at afgøre sikkerhedsforanstaltninger, der kræves af 2002/44/EF for at beskytte personer, der bruger elværktøj regelmæssigt til arbejde, bør en estimering af vibrationseksponering tage hensyn til de reelle forhold, værktøjet bruges under, herunder alle dele af driftscyklussen, såsom de gange, værktøjet slukkes, og når det kører i tomgang ud over udløsertiden.

## Mærkatere på værktøjet

De følgende symboler vises på værktøjet ud over datokoden:



**Advarsel!** For at reducere risikoen for kvæstelser bør brugeren læse brugervejledningen.



Brug ørebeskyttere med slagboremaskiner. Eksponering for støj kan forårsage høretab.

## Yderligere sikkerhedsinstruktioner for batterier og opladere

### Batterier

- ◆ Forsøg aldrig at åbne det af nogen årsag.
- ◆ Batteriet må ikke udsættes for vand.
- ◆ Opbevar det ikke på steder, hvor temperaturen kan overskride 40 °C.
- ◆ Må kun oplades ved omgivende temperaturer mellem 10 °C og 40 °C.
- ◆ Må kun oplades med den oplader, der fulgte med værktøjet.
- ◆ Ved bortskaffelse af batterier skal du følge instruktionerne i afsnittet "Beskyttelse af miljøet".



Gør ingen forsøg på at oplade beskadigede batterier.

## Opladere

- Brug kun din BLACK+DECKER-oplader til at oplade batteriet, der fulgte med værktøjet. Andre batterier kan sprænge og forårsage personskade og beskadigelse.
- Forsøg aldrig at oplade ikke-genopladelige batterier.
- Få defekte ledninger udskiftes med det samme.
- Opladeren må ikke udsættes for vand.
- Opladeren må ikke åbnes.
- Opladeren må ikke udforskes.



Opladeren er kun beregnet til indendørs anvendelse.



Læs betjeningsvejledningen før brug.

## Elektrisk sikkerhed



Din oplader er dobbelt isoleret, og der er derfor ikke brug for nogen jordleder. Kontrollér altid, at netspændingen stemmer overens med spændingen på ydelsesskiltet. Forsøg aldrig at udskifte opladerenheden med et almindeligt netstik.

- Hvis forsyningsledningen er beskadiget, skal den udskiftes af producenten eller et autoriseret BLACK+DECKER-servicecenter for at undgå en fare.

## Funktioner

Dette værktøj indeholder nogle eller alle af følgende funktioner.

1. Udløser med variabel hastighed
2. Frem/tilbage-skyder
3. Momentjusteringskrave
4. Nøglefri borepatron
5. Gearing med dobbelt område
6. LED-arbejdslys
7. Batteri
8. Batteriudløserknap

## Montering

### Brug

**Advarsel!** Lad værktøjet arbejde i dets eget tempo. Overbelast det ikke.

### Opladning af batteriet (fig. A1, A2)

Batteriet skal oplades inden første brug, og hver gang det ikke kan producere tilstrækkelig strøm til opgaver, der nemt kunne udføres før. Batteriet kan blive varmt under opladning; dette er normalt og er ikke et tegn på et problem.

**Advarsel!** Oplad ikke batteriet ved omgivende temperaturer under 10 °C eller over 40 °C.

Anbefalet opladningstemperatur: ca. 24 °C.

**Bemærk: Opladeren kan ikke oplade et batteri, hvis celledtemperaturen er under ca. 10 °C eller over 40 °C. Batteriet bør efterlades i opladeren, og opladeren begynder automatisk at oplade, når celledtemperaturen opvarmes eller nedkøles.**

- Slut opladeren (9) til en almindelig stikkontakt på 230 volt og 50 Hz.
- Skub batteripakken (7) ind i opladeren, som vist i fig. A1, A2.



LED-lampen (9a) blinker for at indikere, at batteriet bliver opladet.



Når opladningen er færdig, indikeres det af LED-lampen (9a), som vil lyse konstant.

Batteripakken er fuldt opladet og kan nu anvendes eller kan efterlades i opladeren.

**Advarsel!** brandfare. Når batteriet fjernes fra opladeren, skal du sørge for først at trække opladeren ud af stikkontakten og derefter tage batteriet ud af opladeren.

## Opladerdiagnostik

Opladeren er udformet til at detektere visse problemer, som kan opstå med batteripakkerne eller strømkilden. Problemer indikeres af én LED-lampe, der blinker i forskellige mønstre.

### Dårligt batteri



Opladeren kan detektere et svagt eller beskadiget batteri. LED-lampen blinker i det mønster, der indikeres på mærket. Hvis du ser dette blinkmønster for dårligt batteri, skal du lade være med at fortsætte batteriopladningen. Send det tilbage til et servicecenter eller til en genbrugsplads.

### Varm/kold pakkeforsinkelse



Når opladeren registrerer et batteri, der er alt for varmt eller koldt, starter den automatisk en varm/kold pakkeforsinkelse og suspenderer opladningen, indtil batteriet er blevet normaliseret. Efter dette sker, skifter opladeren automatisk til pakkeopladningstilstand. Denne funktion sikrer maksimal batterilevetid. Lampen blinker i det mønster, der indikeres på mærket.

### Efterladelse af batteriet i opladeren

Opladeren og batteripakken kan efterlades tilsluttet med LED-lampen tændt på ubestemt tid. Opladeren holder batteripakken frisk og helt opladet. Denne oplader har en automatisk optuningstilstand, som svarer til eller udligner de individuelle celler i batteripakken, så den kan fungere ved maksimal kapacitet.

Batteripakker bør optunes hver uge, eller hver gang batteriet ikke længere leverer den samme mængde arbejde. For at bruge den automatiske optuningstilstand skal du placere batteripakken i opladeren og lade den sidde i mindst 8 timer.

### Vigtige opladningsbemærkninger

- ◆ Den længste levetid og bedste ydeevne kan opnås, hvis batteripakken oplades, når lufttemperaturen er mellem 18 ° – 24 °C. Oplad IKKE batteripakken i en lufttemperatur under +4.5 °C), eller over +40 °C. Dette er vigtigt og forhindrer alvorlig beskadigelse af batteripakken.
- ◆ Opladeren og batteripakken kan blive varme at røre ved under opladning. Dette er en normal tilstand og er ikke et tegn på et problem. For at lette afkølingen af batteripakken efter brug skal du undgå at placere opladeren eller batteripakken i et varmt miljø, såsom i et metallisk skur eller en uisoleret trailer.
- ◆ Hvis batteripakken ikke oplades korrekt:
  - ◆ Kontrollér stikkontaktens drift ved at tilslutte en lampe eller et andet apparat;
  - ◆ Se efter, om stikkontakten er sluttet til en lysafbryder, der slukkes, når du slukker for lyset;
  - ◆ Flyt opladeren eller batteripakken til et sted, hvor den omgivende lufttemperatur er ca. 18 ° – 24 °C;
  - ◆ Hvis opladningsproblemerne fortsætter, skal du tage værktøjet, batteripakken og din oplader hen til dit lokale servicecenter.
- ◆ Batteripakken bør genoplades, når den ikke producerer tilstrækkelig strøm til opgaver, der nemt kunne udføres før. FORTSÆT IKKE MED AT BRUGE DEN under disse forhold. Følg opladningsproceduren. Du kan også oplade en delvist brugt pakke når som helst, uden at det har en negativ indvirkning på batteripakken.
- ◆ Fremmedlegemer af en ledende type, såsom, men ikke begrænset til, slibestøv, metalspåner, ståluld, aluminiumsfolie eller opbygning af metalliske partikler bør holdes væk fra opladerhulrum. Tag opladeren ud af stikket, før du forsøger at rense den.
- ◆ Opladeren må ikke fryses ned eller nedsænkes i vand eller anden væske.

### Isætning og udtagning af batteripakken fra værktøjet (fig. B)

**Advarsel!** Sørg for, at spærreknappen (2) er aktiveret for at forhindre kontaktaktivering, inden du udtager eller isætter batteriet.

Sådan isættes batteripakken:

- ◆ Isæt batteripakken (7) i værktøjet indtil der høres et lydklik (fig. B)

### Udtagning af batteripakken fra værktøjet (fig. C)

- ◆ Hold batteriudløserknappen (8) nede, som vist i (fig. C), og træk batteripakken ud af værktøjet.

### Driftsinstruktioner

#### Udløserknop og tilbage-knop (fig. D)

- ◆ Boremaskinen tændes og slukkes ved at trække og slippe udløserknappen (1). Jo mere udløseren trykkes ned, des højere er boremaskinens hastighed.
- ◆ En frem/tilbage-kontrolknop (2) afgør værktøjets retning og fungerer som spærreknop.
- ◆ For at vælge fremad rotation skal du slippe udløserknappen og trykke frem/tilbage-kontrolknappen til venstre.
- ◆ For at vælge tilbage skal du trykke frem/tilbage-kontrolknappen den modsatte retning.

**Bemærk:** Kontrolknappens midterposition låser værktøjet i sluk-position. Når kontrolknappens position ændres, skal du sikre dig, at udløseren slippes.

#### Momentkontrol (fig.E)

Dette værktøj er udstyret med en momentjusteringskrave (3) for at vælge driftstilstanden og indstille momentet til spænding af skruer. Store skruer og hårde arbejdsstykkematerialer kræver en højere momentindstilling end små skruer og hårde arbejdsstykkematerialer.

- ◆ Ved boring i træ, metal og plast skal kraven stilles til borepositionssymbolet
- ◆ Ved skruring skal kraven stilles på den ønskede indstilling. Hvis du endnu ikke kender den passende indstilling, bør du gøre følgende:
  - ◆ Stil kraven til den laveste momentindstilling.
  - ◆ Stram den første skrue.
  - ◆ Hvis borepatronen skifter, inden det ønskede resultat er opnået, skal du øge kraveindstillingen og fortsætte spændingen af skruen. Gentag, indtil du når den korrekte indstilling. Brug denne indstilling til de resterende skruer.

#### Nøglefri borepatron (fig. F)

**Advarsel!** Sørg for, at spærreknappen (2) er aktiveret for at forhindre kontaktaktivering, inden du installerer eller fjerner tilbehør.

Sådan isættes et borehoved eller et andet tilbehør:

- ◆ Tag fat i den bageste halvdel af borepatronen (4) med den ene hånd, og brug den anden hånd til at rotere den forreste halvdel mod urets retning, set fra borepatronens ende.
- ◆ Sæt boret eller et andet tilbehør helt ind i borepatronen, og stram godt ved at holde i den bageste halvdel af borepatronen og rotere den første del med uret, set fra borepatronens ende.

**Advarsel!** Forsøg ikke at stramme borehoveder(eller andet tilbehør) ved at tage fat i den forreste del af borepatronen og tænde for værktøjet. Beskadigelser af borepatronen og personskaade kan opstå ved udskiftning af tilbehør.

## Gearing med dobbelt område (Figur G)

Funktionen med dobbelt område i din boremaskine gør det muligt at skifte gear for større alsidighed. For at vælge lav hastighed, høj momentindstilling (position 1), skal du slukke for værktøjet og lade det stoppe. Skub gearskifterknappen (5) væk fra borepatronen. For at vælge høj hastighed, lav momentindstilling (position 2), skal du slukke for værktøjet og lade det stoppe.

Skub gearskifterknappen mod borepatronen.

**Bemærk:** Skift ikke gear, når værktøjet kører. Hvis du har problemer med at skifte gear, skal du sørge for, at knappen til dobbelt område enten er trykket helt frem eller trykket helt tilbage.

## Boring/skruning

- Vælg fremad eller tilbage-rotation ved hjælp af frem/tilbage-skyderen (2).
- Tryk på kontakten (1) for at tænde for værktøjet. Værktøjets hastighed afhænger af, hvor langt du trykker kontakten ind.
- Slip kontakten for at slukke for værktøjet.

## Tips til optimal brug

### Boring

- Brug kun skarpe borehoveder.
- Støt og sikr arbejdet korrekt, som angivet i sikkerhedsinstruktionerne.
- Brug passende og påkrævet sikkerhedsudstyr, som angivet i sikkerhedsinstruktionerne.
- Sikr og vedligehold arbejdsområdet korrekt, som angivet i sikkerhedsinstruktionerne.
- Kør boret meget langsomt med et let tryk, indtil hullet er startet nok til at undgå, at borehovedet glider ud af det.
- Påfør tryk i en lige linje med boremaskinen. Brug nok tryk til at holde boremaskinen i gang, men ikke så meget, at motoren staller, eller at boret afbøjes.
- Hold boremaskinen godt fast med to hænder for at kontrollere dens drejehandling.
- UNDLAD AT TÆNDE OG SLUKKE PÅ UDLØSEREN AF EN STALLET BOREMASKINE I ET FORSØG PÅ AT STARTE DEN. DET KAN RESULTERE I BESKADIGELSE AF BOREMASKINEN.
- Minimer stalling ved gennembrud ved at reducere trykket og langsomt bore gennem den sidste del af hullet.
- Hold motoren i gang, mens du trækker boret ud af et boret hul. Dette hjælper med at reducere fastklemning.
- Sørg for, at kontakten tænder og slukker for boremaskinen.

### Boring i træ

Huller i træ kan laves med de samme snoede borehovedet, der bruges til metal, eller med spadeborehoveder.

Disse borehoveder bør være skarpe og skal trækkes ud jævnlige, når der bores til klare spåner fra sporene.

## Boring i metal

Brug et skæresmøremiddel, når du borer i metaller.

Undtagelserne er støbejern og messing, som skal bores tørt. Det skæresmøremiddel, der virker bedst, er svovlholdig skæreolie eller lardolie.

## Boring i murværk

Ved boring i murværk skal du stille kraven (3) i hammerboreposition ved at justere symbolet til mærket. Skub hastighedsvælgeren (5) mod forsiden af værktøjet (2. gear).

## Skruning

- Brug altid den korrekte type og størrelse skruetrækkerbor.
- Hvis skruer er svære at stramme, kan du forsøge at påføre en lille mængde opvaskemiddel eller sæbe som et smøremiddel.
- Hold altid værktøjet og skruetrækkerklingen i en lige linje med skruen

## Fejlsøgning

Problem	Mulig årsag	Mulig løsning
Enheden starter ikke.	Batteripakke ikke opladet.	Kontrollér opladningskrav til batteripakke
Batteripakke kan ikke oplades.	Oplader ikke tilsluttet.  Den omgivende lufttemperatur er for varm eller for kold.	Slut opladeren til en fungerende stikkontakt.  Flyt opladeren og batteripakken til en omgivende lufttemperatur på over 40 grader F (4,5°C) eller under 105 grader F (+40,5°C)
Enheden slukkes brat.	Batteripakken har nået sin maksimale termiske grænse.  Uden opladning. (For at maksimere batteripakkens levetid er den udformet til at slukke brat, når opladningen er opbrugt)	Lad batteripakken køle ned.  Anbring på en oplader, og lad den blive opladet.

## Vedligeholdelse

Dit BLACK+DECKER-værktøj med eller uden ledninger er blevet udformet til at fungere gennem en lang periode med en minimal vedligeholdelse. Kontinuerlig tilfædsstillende drift afhænger af korrekt værktøjspleje og regelmæssig rengøring. Din oplader kræver ingen vedligeholdelse ud over regelmæssig rengøring.

**Advarsel!** Inden du foretager vedligeholdelse af et værktøj, skal du tage batteriet ud af værktøjet. Tag opladeren ud af stikket, før du rengør det.

- Rengør regelmæssigt ventilationshullerne i dit værktøj og din oplader med en blød børste eller tør klud.



- ◆ Rengør motorhuset regelmæssigt med en fugtig klud. Brug ikke et slibende eller opløsningsbaseret rengøringsmiddel.
- ◆ Åbn regelmæssigt borepatronen, og bank på den for at fjerne evt. støv fra indersiden.

## Beskyttelse af miljøet



Særskilt indsamling af affald. Produkter og batterier markeret med dette symbol må ikke bortskaffes sammen med normalt husholdningsaffald.

Produkter og batterier indeholder materialer, der kan genindvindes eller genbruges, så behovet for råmaterialer reduceres.

Du bedes genbruge elektriske produkter og batterier i overensstemmelse med lokale bestemmelser. Yderligere oplysninger er tilgængelige på [www.2helpU.com](http://www.2helpU.com)

## Tekniske data

		BCD003	
Spænding	$V_{DC}$	18	
Ubelastet hastighed	$Min^{-1}$	0 - 360/0 - 1400	
Maks. moment	Nm	45	
Borepatronkapacitet	mm	1 - 10	
Maks. boreeffekt			
Stål/træ/Murværk	mm	10/25/10	
Vægt	kg	0,9 (med batteri 1.3)	

Oplader		90589867	90590287-06	90634971
Indgangsspænding	$V_{AC}$	230	230	230
Udgangsspænding	$V_{DC}$	18	18	18
Strøm	mA	200	400	1A
Ca. opladningstid	Timer	8	3 - 5	1,5

		BL1518	
Spænding	$V_{AC}$	18	
Kapacitet	Ah	1,5	
Type		Li-Ion	

### Niveau af lydtryk ifølge EN 60745:

Lydtryk ( $L_{pA}$ ) 86,0 dB(A), usikkerhed (K) 3 dB(A)

Lydeffekt ( $L_{WA}$ ) 97,0 dB(A), usikkerhed (K) 3 dB(A)

### Samlede vibrationsværdier (triax vektor-sum) ifølge EN 60745:

Boring i beton ( $a_{h,10}$ ) 6,8  $m/s^2$ , usikkerhed (K) 1,5  $m/s^2$

Boring i metal ( $a_{h,10}$ ) 1,8  $m/s^2$ , usikkerhed (K) 1,5  $m/s^2$

## EF-overensstemmelseserklæring

MASKINDIREKTIV



BCD003 - Slagboremaskine

Black & Decker erklærer, at disse produkter beskrevet under "tekniske data" er i overensstemmelse med: 2006/42/EC, EN60745-1:2009+A11:2010, EN60745-2-1:2010, EN60745-2-2:2010.

Disse produkter er også i overensstemmelse med direktiv 2014/30/EU og 2011/65/EU. For yderligere oplysninger bedes du kontakte Black & Decker på følgende adresse eller se bagest i vejledningen.

Undertegnede er ansvarlig for kompleringen af den tekniske fil og foretager denne erklæring på vegne af Black & Decker.

R. Laverick  
Engineering Manager  
Black & Decker Europe, 210 Bath Road, Slough,  
Berkshire, SL1 3YD  
Storbritannien  
15-03-2018

## Garanti

Black & Decker er sikker på kvaliteten af deres produkter og tilbyder forbrugere en garanti på 24 måneder fra købsdatoen. Denne garanti er en tilføjelse til dine lovfalede rettigheder.

Garantien er gyldig inden for medlemsstaterne af Den Europæiske Union og Det Europæiske Frihandelsområde. For at gøre krav på denne garanti skal kravet være i overensstemmelse med Black & Decker's vilkår og betingelser, og du skal indsende bevis på købet til sælgeren eller en autoriseret reparationsrepræsentant.

Vilkår og betingelser for Black & Decker-garantien på 2 år og beliggenheden af din nærmeste autoriserede reparationsrepræsentant kan fås på internettet på adressen [www.2helpU.com](http://www.2helpU.com) eller ved at kontakte dit lokale Black&Decker-kontor på adressen, der er angivet i denne vejledning.

Gå ind på vores website [www.blackanddecker.co.uk](http://www.blackanddecker.co.uk) for at registrere dit nye Black & Decker-produkt og modtage opdateringer om nye produkter og særtilbud.

## Käyttötarkoitus

BLACK+DECKER BCD003 -iskupora on tarkoitettu ruuvaussovelluksiin sekä puun, metallin ja kivimateriaalien poraamiseen. Tämä työkalu on tarkoitettu vain yksityiskäyttöön.

## Turvallisuusohjeet

### Sähkötyökalun yleiset turvaohjeet



**Varoitus! Lue kaikki varoitukset ja kaikki ohjeet.** Mikäli alla annettuja varoituksia ja ohjeita ei noudateta, seurauksena voi olla sähköisku, tulipalo ja/tai vakava henkilövahinko.

**Säilytä kaikki varoitukset ja ohjeet tulevia käyttökertoja varten.** Kaikkien alla olevien varoitusten termi "sähkötyökalu" tarkoittaa verkkovirralla toimivia (johdollisia) sekä akkutoimisia (langattomat) sähkötyökaluja.

#### 1. Työalueen turvallisuus

- Varmista työalueen puhtaus ja hyvä valaistus.**  
Onnettomuuksia tapahtuu helpommin epäsiistissä tai huonosti valaistussa tilassa.
- Sähkötyökalua ei saa käyttää räjähdyksalttiissa ympäristöissä, kuten syttyvien nesteiden, kaasun tai pölyn lähettyvillä.** Sähkötyökaluista syntyy kipinöitä, jotka voivat sytyttää pölyn tai höyryt.
- Lapsia tai sivullisia ei saa päästää työalueelle sähkötyökalua käyttäessä.** Epähuomio voi aiheuttaa hallinnan menettämisen.

#### 2. Sähköturvallisuus

- Sähkötyökalujen pistokkeiden on sovittava pistorasiaan.** Pistoketta ei saa koskaan muuttaa millään tavalla. Maadoitettujen sähkötyökalujen kanssa ei saa käyttää sovitinpistokkeita. Sähköiskun vaara on pienempi, kun pistokkeita ei ole muutettu mitenkään ja ne liitetään sopivaan pistorasiaan.
- Vältä koskettamasta maadoitettuihin pintoihin, kuten putkiin, lämpöpattereihin, liesiin ja jäähdyttimiin.** Sähköiskun vaara on suurempi, jos kehosi on maadoitettu.
- Sähkötyökaluja ei saa käyttää sateessa tai märissä olosuhteissa.** Jos sähkötyökalun sisään pääsee vettä, olemassa on suurempi sähköiskun vaara.
- Virtajohtoa ei saa käyttää väärin. Älä koskaan kuljeta, vedä tai irrota laitetta pistorasiasta johdosta kiinni pitäen.** Suojaa johto lämmöltä, öljyltä, teräviltä reunoilta ja liikkuvilta osilta. Vaurioituneet tai kietoutuneet johdot lisäävät sähköiskun vaaraa.
- Kun sähkötyökalua käytetään ulkona, käytä ulkokäyttöön sopivaa jatkojohtoa.** Ulkokäyttöön sopivan johdon käyttö vähentää sähköiskun vaaraa.

- Jos sähkötyökalun käyttö on välttämätöntä kosteassa paikassa, käytä vikavirtasuojakytkimellä suojattua virtalähdettä.** Vikavirtasuojakytkin vähentää sähköiskun vaaraa.

#### 3. Henkilöturvallisuus

- Pysy valppaana, tarkkaile toimenpiteitäsi ja käytä sähkötyökalua terveellä maalaisjärjellä. Älä käytä sähkötyökalua väsyneenä tai huumausaineiden, alkoholin tai lääkkeiden vaikutuksen alaisena.** Hetkellisenkin epähuomio sähkötyökalun käytön aikana voi johtaa vakaviin henkilövahinkoihin.
- Käytä henkilökohtaisia suojavarusteita. Käytä aina suojalaseja.** Käytä olosuhteiden mukaisia suojavarusteita (esim. pölynaamari, liukuesteiset turvajalkineet, kypärä tai kuulonsuojaimia) henkilövahinkojen välttämiseksi.
- Vältä käynnistyminen vahingossa. Varmista, että kytkin on Off-asennossa ennen työkalun liittämistä virtalähteeseen ja/tai akkuun, työkalun nostamista tai kuljettamista.** Onnettomuuksia voi sattua, jos sähkötyökaluja kuljetetaan pitämällä somea kytkimellä tai ne käynnistetään kytkimen ollessa päällä.
- Poista säätöavaimet tai avaimet ennen sähkötyökalun kytkemistä päälle.** Jos sähkötyökalun pyöriivään osaan on kiinnitetty jokin avain, seurauksena voivat olla henkilövahingot.
- Älä kurkottele.** Täten varmistat sähkötyökalun paremman hallinnan odottamattomissa tilanteissa.
- Pukeudu asianmukaisesti. Älä käytä löysiä vaatteita tai koruja.** Hiukset, vaatteet ja suojakäsineet on pidettävä poissa työkalun liikkuvista osista. Löysät vaatteet, korut tai pitkät hiukset voivat jäädä kiinni liikkuviin osiin.
- Jos laitteessa on liitántä pölynpoisto- tai pölynkeräysjärjestelmiä varten, varmista niiden oikeaoppinen liitántä ja käyttö.** Pölynkeräysjärjestelmien käyttö voi vähentää pölyn aiheuttamia vaaroja.

#### 4. Sähkötyökalujen käyttö ja ylläpito

- Älä kohdista sähkötyökaluun voimaa.** Käytä käyttötarkoitukseen sopivaa sähkötyökalua. Oikea sähkötyökalu suorittaa toimenpiteen paremmin ja turvallisemmin sen suunnitellulla käyttönopeudella.
- Älä käytä sähkötyökalua, jos sen kytkin ei kytkie virtaa päälle ja pois päältä.** Sähkötyökalut, joita ei voida hallita kytkimellä, ovat vaarallisia ja ne on korjattava.
- Irrota pistoke virtalähteestä ja/tai akku sähkötyökalusta ennen sähkötyökalun säätämistä, lisävarusteiden vaihtoa tai varastointia.** Nämä ennakoivat varotoimenpiteet vähentävät sähkötyökalun odottamatonta käynnistymisvaaraa.

- d. Säilytä käyttämättömiä työkaluja lasten ulottumattomissa. Älä anna sellaisten henkilöiden käyttää sähkötyökalua, jotka eivät tunne sitä ja näitä käyttöohjeita. Sähkötyökalut ovat vaarallisia kouluttamattomien henkilöiden käsissä.
- e. Sähkötyökalut vaativat ylläpitoa. Tarkista liikkuvat osat virheellisen kohdistumisen tai kiinnijuuttumisen sekä osien vaurioiden varalta ja muut olosuhteet, jotka voivat vaikuttaa sähkötyökalun toimintaan. Jos sähkötyökalussa on vaurioita, se on korjattava ennen käyttöä. Monet onnettomuudet johtuvat huonosti ylläpidetyistä sähkötyökaluista.
- f. Leikkausvälineet on pidettävä terävinä ja puhtaina. Oikein ylläpidetyt leikkausvälineet terävillä leikkausreunoilla juuttuvat harvemmin kiinni ja niiden hallinta on helpompaa.
- g. Käytä sähkötyökalua, lisävarusteita ja työkalun teriä jne. näiden ohjeiden mukaisesti huomioiden työskentelyolosuhteet sekä suoritettavat toimenpiteet. Jos sähkötyökalua käytetään muihin kuin sen suunniteltuihin käyttötarkoituksiin, seurauksena voi olla vaaratilanne.

## 5. Akkutoimisten työkalujen käyttö ja ylläpito

- a. Ladattava ainoastaan valmistajan määrittämällä laturilla. Yhteen akkutyypin sopiva laturi voi aiheuttaa tulipalovaaran, jos sitä käytetään toisenlaisen akun kanssa.
- b. Sähkötyökaluja tulee käyttää ainoastaan niihin tarkoitetuilla akuilla. Muiden akkujen käyttö voi aiheuttaa henkilövahinkojen ja tulipalon vaaran.
- c. Kun akku ei käytetä, pidä se kaukana muista metalliesineistä (esim. paperiliittimet, kolikot, avaimet, naulat, ruuvit tai muut pienet metalliesineet), jotka voivat luoda yhteyden napojen välille. Akkunapojen väliin oikosulku voi aiheuttaa palovammoja tai tulipalon.
- d. Virheellisissä käyttöolosuhteissa akusta voi päästä nestettä. Vältä koskettamasta sitä. Jos kosketat sitä vahingossa, huuhtele vedellä. Jos nestettä pääsee silmiin, ota lisäksi yhteyttä lääkäriin. Akusta päässyt neste voi aiheuttaa ärsytystä tai palovammoja.

## 6. Huolto

- a. Anna pätevän korjaajan huoltaa sähkötyökalu alkuperäisiä varaosia käyttäen. Täten taataan sähkötyökalun turvallisuus.

## Sähkötyökalun lisäturvaohjeet



**Varoitus!** Porakoneiden lisäturvaohjeet

- ◆ Käytä työkalun mukana toimitettuja lisäkahvoja.

Hallinnan menetys voi johtaa henkilövahinkoihin.

- ◆ Pidä kiinni sähkötyökalun eristetyistä kahvoista, kun leikkausväline voi koskettaa piilossa oleviin johtoihin toimenpiteen aikana. Jos leikkausväline koskettaa jännitteenalaisia johtoja, jännite voi välittyä sähkötyökalun suojaamattomiin metalliosiin ja aiheuttaa sähköiskun.
- ◆ Pidä kiinni sähkötyökalun eristetyistä kahvoista, kun kiinnitin voi koskettaa piilossa oleviin johtoihin toimenpiteen aikana. Jos kiinnitin koskettaa jännitteenalaisia johtoja, jännite voi välittyä sähkötyökalun suojaamattomiin metalliosiin ja aiheuttaa sähköiskun.
- ◆ Varmista työstökappaleen hyvä kiinnitys tukevaan alustaan ja sen hyvä tuki käyttämällä puristimia tai toista käytännöllistä tapaa. Jos työstökappaleta pidetään käsillä tai keho vasten, se on epävakaava ja seurauksena voi olla hallinnan menetys.
- ◆ Tarkista kohde johtojen ja putkien varalta ennen seiniin, lattioihin tai kattoihin poraamista.
- ◆ Vältä koskettamasta poranterän kärkeä heti poraamisen jälkeen, sillä se voi olla kuuma.
- ◆ Käyttötarkoituksien kuvattuun tässä ohjekirjassa. Jos tässä työkalussa käytetään muita kuin tässä ohjekirjassa suositeltuja lisävarusteita tai tarvikkeita tai työkalulla suoritetaan muita kuin tässä ohjekirjassa suositeltuja toimenpiteitä, olemassa on henkilö- ja/tai omaisuusvahinkovaara.

## Muiden turvallisuus

- ◆ Tätä työkalua eivät saa käyttää henkilöt (mukaan lukien lapset), joilla on fyysisiä, aistillisia tai henkisiä puutteita tai puutteellinen kokemus ja tuntemus, ellei heidän turvallisuudestaan vastaava henkilö valvo tai ohjaa heitä työkalun käytössä.
- ◆ Lapsia on valvottava, jotta he eivät leikkisi laitteella.

## Jännönsriskit

Muita jännönsriskejä voi olla olemassa käyttäessä työkalua, jota ei ole huomioitu annetuissa varoituksissa. Kyseiset riskit voivat liittyä väärinkäyttöön, pitkäaikaiseen käyttöön jne. Joitakin jännönsriskejä ei voida välttää edes noudattamalla asiaankuuluvia turvamääräyksiä ja käyttämällä turvajärjestelmiä. Niihin kuuluvat seuraavat:

- ◆ Henkilövahingot, jotka johtuvat pyöriin/liikkuviin osiin koskettamisesta.
- ◆ Henkilövahingot, jotka johtuvat vaihtaessa osia, teriä tai lisävarusteita.
- ◆ Henkilövahingot, jotka johtuvat työkalun pitkäaikaisesta käytöstä. Pidä säännöllisiä taukoja käyttäessä työkalua pitkiä aikajaksoja.
- ◆ Kuulon heikentyminen.
- ◆ Terveysvaarat, jotka aiheutuvat työkalun käytön aikana syntyvästä pölystä (esimerkki- käsitellessä puuta, erityisesti tammea, pyökkiä ja puolikovaa kuitulevyä).

## Tärinä

Teknisissä tiedoissa ja vaatimustenmukaisuusvakuutuksessa annetut tärinäpäästöarvot on mitattu standardin EN 60745 vakiotestimenetelmien mukaan ja niitä voidaan käyttää eri työkalujen vertaamiseen. Annettua tärinäpäästöarvoa voidaan käyttää myös altistumisen alustavassa arvioinnissa.

**Varoitus!** Todellinen tärinäpäästöarvo sähkötyökalun käytön aikana voi poiketa annetusta arvosta työkalun käyttötavasta riippuen. Tärinätaso voi nousta annetun tason yläpuolelle.

Kun altistumista tärinälle arvioidaan direktiivin 2002/44/EY vaatimien turvatoimien määrittämiseksi ja sähkötyökaluja säännöllisesti käyttävien käyttäjien suojaamiseksi, tärinälle altistumista arvioidessa on huomioitava todelliset käyttöolosuhteet sekä työkalun käyttötapa, mukaan lukien kaikki käyttöjakson elementit (esim. työkalun sammutusajat sekä tyhjäkäyntiajat käyttöajan lisäksi).

## Työkalun merkit

Seuraavat symbolit näkyvät työkalussa päivämääräkoodin ohella:



**Varoitus!** Käyttäjän on luettava ohjekirja henkilövahinkovaaran välttämiseksi.



Käytä kuulonsuojaimia iskuporaamisen aikana. Melu voi aiheuttaa kuulon heikentymistä.

## Akkujen ja laturien lisäturvaohjeet

### Akut

- Älä koskaan yritä avata laitetta mistään syystä.
- Suojaa akku vedeltä.
- Ei saa säilyttää paikassa, jossa lämpötila voi olla yli 40 °C.
- Lataa ainoastaan ympäristölämpötilassa 10 °C - 40 °C.
- Lataa ainoastaan työkalun mukana toimitetulla laturilla.
- Hävitä akut noudattamalla osion "Ympäristönsuojelu" ohjeita.



Älä yritä ladata vaurioituneita akkuja.

### Laturit

- Käytä BLACK+DECKER-laturia ainoastaan työkalun mukana toimitetun akun lataamiseen. Muut akut voivat räjähtää ja aiheuttaa henkilö- ja omaisuusvahinkoja.
- Älä koskaan yritä ladata ei-ladattavia akkuja.
- Vaurioituneet johdot tulee vaihtaa välittömästi.
- Suojaa laturi vedeltä.
- Laturia ei saa avata.
- Laturia ei saa tutkia.



Laturi on tarkoitettu vain sisäkäyttöön.



Lue käyttöohjeet ennen käyttämistä.

## Sähköturvallisuus



Laturi on kaksoeristetty, se ei täten vaadi maadoitusjohtoa. Tarkista aina, että verkkojännite vastaa arvokilvessä annettua jännitettä.

Älä koskaan yritä vaihtaa laturia tavalliseen verkkovirtapistokkeeseen.

- Jos virtajohto on vaurioitunut, vaaratilanteiden välttämiseksi se on vietävä valmistajalle tai valtuutettuun BLACK+DECKER-huoltopalveluun johdon vaihtoa varten.

## Ominaisuudet

Tämä työkalu sisältää kaikki seuraavat ominaisuudet tai vain joitakin niistä.

- Portaaton nopeudensäädin
- Suunnanvaihtokytkin
- Momentin säätörengas
- Avaimeton istukka
- Kaksivaihteinen järjestelmä
- LED-työvalo
- Akku
- Akun vapautuspainike

## Kokoaminen

### Käyttö

**Varoitus!** Anna työkalun käydä omaan tahtiin. Vältä sen ylikuormittamista.

### Akun lataaminen (kuvat A1, A2)

Akku on ladattava ennen ensimmäistä käyttökertaa ja aina kun laitteen teho on riittämätön normaalien toimenpiteiden suorittamiseen. Akku voi lämmetä latauksen aikana, se on normaalia; se ei ole vian merkki.

**Varoitus!** Älä lataa akkua alle 10 °C tai yli 40 °C ympäristölämpötilassa. Suositeltu latauslämpötila on noin 24 °C.

**Huomaa:** Laturi ei lataa akkua, jos kennon lämpötila on liikimääräisesti alle 10 °C tai yli 40 °C. Akku tulee jättää laturiin ja laturi aloittaa latauksen automaattisesti, kun kennon lämpötila nousee tai laskee.

- Liitä laturi (9) tavalliseen 230 V 50 Hz pistorasiaan.
- Liu'uta akku (7) laturiin kuvien A1, A2 mukaisesti.



LED-merkkivalo (9a) vilkkuu ilmoittaen akun latautumisen.



Kun lataus on valmis, LED-merkkivalo (9a) jää palamaan pysyvästi. Akku on täysin ladattu ja sitä voidaan käyttää heti tai sen voi jättää laturiin.

**Varoitus!** Tulipalovaara. Kun akku irrotetaan laturista, irrota laturi ensin verkkovirrasta ja sen jälkeen akku laturista.

### Laturin vianmääritys

Tämä laturi tunnistaa joitakin ongelmia, joita voi esiintyä akuissa tai virtalähteissä. Ongelmista ilmoittaa yksi eri tavoin vilkkuva LED-merkkivalo.

### Heikkokuntoinen akku



Laturi voit tunnistaa heikon tai vaurioituneen akun. LED-merkkivalo vilkkuu merkin osoittamalla tavalla. Jos havaitset tämän huonokuntoisen akun vilkkumistavan, lopeta akun lataaminen. Vie se huoltopalveluun tai kierrätyskeskukseen.

### Kuuma-/kylmäviive



Kun laturi havaitsee liian kylmän tai kuuman akun, se käynnistää automaattisesti kuuma-/kylmäviiveen keskeyttäen latauksen, kunnes akku on saavuttanut normaalin lämpötilan. Tämän jälkeen laturi kytkee automaattisesti päälle akun lataustilan. Tämä toiminto takaa maksimaalisen akun käyttöiän. Merkkivalo vilkkuu merkin osoittamalla tavalla.

### Akun jättäminen laturiin

Akku voidaan jättää laturiin, jolloin LED-merkkivalo palaa vakiona. Laturi säilyttää akun hyväkuntoisena ja täyteen ladattuna. Tämä laturi sisältää automaattisen viritystilan, joka tasoittaa tai tasapainottaa akun yksittäiset kennot sen huippusuorituskyvyn säilyttämiseksi. Akut tulee virittää viikoittain tai kun akun teho heikkenee normaalista tasosta. Voit käyttää automaattista viritystilaa asettamalla akun laturiin ja jättämällä sen laturiin vähintään 8 tunnin ajaksi.

### Tärkeää lataamiseen liittyvää tietoa

- ◆ Maksimaalinen käyttöikä ja paras suorituskyky saavutetaan, kun akkua ladataan ympäristölämpötilassa 18 ° – 24 °C. ÄLÄ lataa akkua alle +4.5 °C tai yli +40 °C ympäristölämpötilassa. Tämä on tärkeää akun vakavien vaurioiden välttämiseksi.
- ◆ Laturi ja akku voivat kuumentua lataamisen aikana. Tämä on normaalia, se ei ole merkki ongelmasta. Jotta akku jäähtyisi käytön jälkeen, vältä asettamista laturia tai akkua lämpimään paikkaan, kuten metallisen suojan alle tai eristämättömään perävaunuun.
- ◆ Jos akku ei lataudu oikein:
  - ◆ Tarkista pistorasian toiminta liittämällä siihen lamppu tai jokin muu laite.
  - ◆ Tarkista, onko pistorasiaa yhdistetty valokyttimeen, joka katkaisee virran valojen sammuttamisen yhteydessä.
  - ◆ Siirrä laturi ja akku paikkaan, jossa ympäristölämpötila on noin 18 °C – 24 °C.

- ◆ Jos latauksessa esiintyy ongelmia, vie työkalu, akku ja laturi paikalliseen huoltopalveluun.
- ◆ Akku on ladattava, kun se ei tuota enää riittävästi virtaa normaalin työtoimenpiteiden suorittamiseen. ÄLÄ JATKA käyttöä näissä olosuhteissa. Noudata latausohjeita. Myös osittain käytetty akku voidaan ladata, kun haittavaikutukset akkuun halutaan välttää.
- ◆ Johtavat vieraat esineet, kuten hiomapöly, metallisirut, teräsvilla, alumiinifolio tai metallihiukkasten kertymät, niihin kuitenkin rajoittumatta, tulee pitää poissa laturin aukoista. Irrota laturi virtalähteestä ennen sen puhdistusta.
- ◆ Älä anna laturin jäätyä tai upota sitä veteen tai muihin nesteisiin.

### Akun asentaminen ja irrottaminen työkalusta (kuva B)

**Varoitus!** Varmista, että lukituspainike (2) on kytketty ennen akun irrottamista tai asentamista kytkimen käytön estämiseksi. Akun asentaminen:

- ◆ Aseta akku (7) työkaluun, kunnes kuulet napsahduksen (kuva B)

### Akun irrottaminen työkalusta (kuva C)

- ◆ Paina akun vapautuspainiketta (8) kuvan mukaisesti (kuva C) ja vedä akku irti työkalusta.

### Käyttöohjeet

#### Liipaisin ja suunnanvaihtokytkin (kuva D)

- ◆ Pora kytetään PÄÄLLE ja POIS PÄÄLTÄ painamalla liipaisimesta (1) ja vapauttamalla se. Mitä syvemmälle liipaisin painetaan, sitä suurempi on poran nopeus.
- ◆ Suunnanvaihtokytkimellä (2) määritetään työkalun suunta ja sitä käytetään myös lukituspainikkeena.
- ◆ Voit asettaa eteenpäin kierron vapauttamalla liipaisimen ja painamalla vasemmalla puolella olevaa suunnanvaihtokytkintä.
- ◆ Voit asettaa taaksepäin kierron painamalla suunnanvaihtokytkimen vastakkaiseen suuntaan.

**Huomaa:** Kun säätöpainike asetetaan keskiasentoon, työkalu lukittuu pois päältä asentoon. Kun säätöpainikkeen asentoa muutetaan, vapautaa liipaisin.

#### Momentin säätäminen (kuva E)

Tässä työkalussa on momentin säätörenkas (3) käyttötilan valitsemiseen ja momentin asettamiseksi ruuvien kiristämistä varten. Suuret ruuvit ja kovat työstö materiaalit edellyttävät suuremman momentin kuin pienemmät ruuvit ja pehmeämmät työstö materiaalit.

- ◆ Kun poraat puuta, metallia ja muovimateriaaleja, aseta säätörenkas porausasentoon symboliin.
- ◆ Aseta säätörenkas haluamaasi asetukseen ruuvausta varten. Jos et tiedä oikeaa asetusta, toimi seuraavasti:

- ◆ Aseta säätörengas matalimpaan momenttiasetukseen.
- ◆ Kiristä ensimmäinen ruuvi.
- ◆ Jos kytkin siirtyy asteittain ennen kuin haluttu tulos saavutetaan, lisää säätörengkaan asetusta ja jatka ruuvien kiristämistä. Toista, kunnes saavutat oikean asetuksen. Käytä tätä asetusta muiden ruuvien kohdalla.

### Avaimeton istukka (kuva F)

**Varoitus!** Varmista, että lukituspainike (2) on kytketty ennen lisävarusteiden asentamista tai irrottamista kytkimen käytön estämiseksi.

Poranterän tai muun lisävarusteen kiinnittäminen:

- ◆ Tartu istukan (4) takapuoliskoon yhdellä kädellä ja kierrä toisella kädellä etupuoliskoa vastapäivään istukan päästä katsottuna.
- ◆ Aseta terä tai muu lisävaruste kokonaan istukkaan ja kiristä se tiukasti pitämällä istukan takapuoliskosta ja kiertämällä etupuoliskoa myötäpäivään istukan päästä katsottuna.

**Varoitus!** Älä yritä kiristää poranteriä (tai muuta lisävarustetta) tarttumalla istukan etuosaan ja kytkemällä työkalu päälle. Istukka voi vaurioitua ja henkilövahinkoja tapahtua lisävarusteita vaihtaessa.

### Kaksivaihteinen järjestelmä (kuva G)

Poran kaksivaihteinen järjestelmä mahdollistaa vaihteen vaihtamisen monikäyttöisyyttä varten. Voit valita alhaisen nopeuden ja suuremman momenttiasetuksen (asento 1) kytkemällä työkalun pois päältä ja antamalla sen pysähtyä. Liu'uta vaihdepainike (5) istukasta pois päin. Voit valita suuren nopeuden ja alhaisen momenttiasetuksen (asento 2) kytkemällä työkalun pois päältä ja antamalla sen pysähtyä. Liu'uta vaihdepainike istukkaan päin.

**Huomaa:** Vaihdetta ei saa vaihtaa työkalun ollessa toiminnassa. Jos vaihteen vaihto on vaikeaa, varmista, että kaksivaihteisen järjestelmän painike on joko kokonaan etu- tai taka-asennossa.

### Poraaminen/ruuvaaminen

- ◆ Valitse eteenpäin- tai taaksepäin kiertä suunnanvaihtokytkimellä (2).
- ◆ Kytke työkalu päälle painamalla kytkintä (1). Työkalun nopeus riippuu siitä, miten syväälle kytkintä painetaan.
- ◆ Kytke työkalu pois päältä vapauttamalla kytkin.

### Vinkkejä optimaaliseen käyttöön

#### Poraaminen

- ◆ Käytä ainoastaan teräviä poranteriä.
- ◆ Työstökappaletta tulee tukea oikeaoppisesti ja pitää paikoillaan turvallisuusohjeiden mukaisesti.
- ◆ Käytä asianmukaisia ja vaadittuja suojavarusteita turvallisuusohjeiden mukaisesti.

- ◆ Työalue tulee suojata ja sitä tulee ylläpitää turvallisuusohjeiden mukaisesti.
- ◆ Käytä poraa erittäin hitaasti kevyellä paineella, kunnes reikä on aloitettu terän pitämiseksi paikoillaan.
- ◆ Kohdistaa painetta suorassa linjassa terään. Käytä riittävää painetta, jotta terä etenee. Vältä kuitenkin liiallista painetta, jotta moottori ei leikkaisi kiinni ja terä vääntyisi.
- ◆ Pitele poraa tiukasti kahdella kädellä väännön hallitsemiseksi.
- ◆ KIINNI LEIKKANNEEN PORAN LIIPASINTA EI SAA KYTKEÄ POIS PÄÄLTÄ JA PÄÄLLE SEN UUELLEEN KÄYNNISTÄMISEKSI. MUUTOIN PORA VOI VAURIOITUA.
- ◆ Kiinni leikkautuminen voidaan minimoida läpäisyn yhteydessä vähentämällä painetta ja poraamalla hitaasti reiän loppuosan läpi.
- ◆ Pidä moottori käynnissä, kun vedät terän pois poratusta reistä. Tämä vähentää kiinnijuuttumista.
- ◆ Varmista, että kytkin kytkee poran päälle ja pois päältä.

### Puun poraaminen

Puuta voidaan porata käyttämällä samoja kierreporanteriä kuin metallia poratessa tai lapioporanteriä. Terien on oltava teräviä ja ne on vedettävä ulos tiheään poraamisen aikana sirujen poistamiseksi uurteista.

### Metallin poraaminen

Käytä leikkuuöljyä metallin poraamisen aikana. Tämä ei koske valurautaa tai messinkiä, jotka on porattava kuivina. Parhaiten sopivat leikkuuöljyt ovat rikitetty leikkuuöljy ja laardiöljy.

### Kivimateriaalin poraaminen

Kivimateriaalia poratessa säätörengas (3) tulee asettaa iskuporauksen kohdalle kohdistamalla symboli merkintään. Liu'uta nopeudensäädintä (5) työkalun etuosaa kohti (2. vaihde).

### Ruuvaaminen

- ◆ Käytä aina tyypiltään ja kooltaan oikeanlaista ruuvauskärkeä.
- ◆ Jos ruuvien kiristäminen on vaikeaa, käytä voiteluaineena pientä määrää pesunestettä tai saippuaa.
- ◆ Pidä työkalua ja ruuvauskärkeä aina suorassa linjassa ruuviin nähden.

### Vianmääritys

Ongelma	Mahdollinen syy	Mahdollinen ratkaisu
Laite ei käynnisty.	Akkua ei ole ladattu.	Tarkista akun latausvaatimukset.

Ongelma	Mahdollinen syy	Mahdollinen ratkaisu
Akku ei lataudu.	Laturia ei ole kytketty pistorasiaan.  Ympäristölämpötila on liian suuri tai alhainen.	Kytke laturi toimivaan pistorasiaan.  Siirrä laturi ja akku yli 4,5 °C (40 °F) tai alle +40,5 °C (105 °F) ympäristölämpötilaan.
Laite sammuu äkkinaisesti.	Akun maksimilämpöraja on saavutettu.  Käyttöalueen ulkopuolella. (Akun maksimaalista käyttöä varten se sammuu äkkinaisesti, kun virta loppuu)	Anna akun jäähtyä.  Aseta laturiin ja anna latautua.

## Huolto

BLACK+DECKER-työkalu on tarkoitettu toimimaan pitkän aikajakson ajan minimaalisella ylläpidolla. Hyvä suorituskyky jatkuvassa käytössä riippuu työkalun ylläpidosta ja säännöllisestä puhdistamisesta.

Laturi ei vaadi ylläpitotoimia, ainoastaan säännöllistä puhdistusta.

**Varoitus!** Irrota akku työkalusta ennen työkalun huoltamista. Irrota laturi virtalähteestä ennen sen puhdistusta.

- ◆ Puhdista työkalun ja laturin tuuletusaukot säännöllisesti pehmeällä harjalla tai kuivalla liinalla.
- ◆ Puhdista moottorin kotelo säännöllisesti kostealla liinalla. Älä käytä hankaavia tai liuotinpohjaisia puhdistusaineita.
- ◆ Avaa istukka säännöllisesti ja napauta sitä sen tyhjentämiseksi pölystä.

## Ympäristönsuojelu



Erilliskeräys. Tällä symbolilla merkittyjä tuotteita ja akkuja ei saa hävittää normaalin kotitalousjätteen mukana.

Tuotteissa ja akuissa on materiaaleja, jotka voidaan kerätä talteen tai kierrättää raakamateriaalien käytön vähentämiseksi. Sähkölaitteet ja akut on kierrätettävä paikallisten määräysten mukaisesti. Lisätietoa on saatavilla osoitteessa [www.2helpU.com](http://www.2helpU.com)

## Tekniset tiedot

		BCD003
Jännite	V <sub>DC</sub>	18
Kuormittamaton nopeus	Min <sup>-1</sup>	0 - 360/0 - 1400
Maksimimomentti	Nm	45
Istukan teho	mm	1-10
<b>Maks. porausteho</b>		
Teräs/villa/kivimateriaali	mm	10/25/10
Paino	kg	0,9 (akulla 1,3)

Laturi		90589867	90590287-06	90634971
Tulojännite	V <sub>AC</sub>	230	230	230
Lähtöjännite	V <sub>DC</sub>	18	18	18
Virta	mA	200	400	1A
Likimääräinen latausaika	Tuntia	8	3 - 5	1,5

Akku		BL1518
Jännite	V <sub>AC</sub>	18
Kapasiteetti	Ah	1,5
Tyyppi		Li-Ion

### Äänenpainetaso standardin EN 60745 mukaisesti:

Äänenpaine (L<sub>WA</sub>) 86,0 dB(A), epävarmuus (K) 3 dB(A)

Ääniteho (L<sub>WA</sub>) 97,0 dB(A), epävarmuus (K) 3 dB(A)

### Kokonaistärinäarvot (triax-vektorisumma) standardin EN 60745 mukaisesti:

Betonin poraaminen (a<sub>n,10</sub>) 6,8 m/s<sup>2</sup>, epävarmuus (K) 1,5 m/s<sup>2</sup>

Metallin poraaminen (a<sub>n,10</sub>) 1,8 m/s<sup>2</sup>, epävarmuus (K) 1,5 m/s<sup>2</sup>

## EY-vaatimustenmukaisuusvakuutus

KONEDIREKTIIVI



BCD003 - Iskupora

Black & Decker vakuuttaa, että nämä kohdassa "tekniset tiedot" kuvatut tuotteet täyttävät seuraavat vaatimukset: 2006/42/EY, EN60745-1:2009+A11:2010, EN60745-2-1:2010, EN60745-2-2:2010.

Nämä tuotteet täyttävät lisäksi direktiivien 2014/30/EY ja 2011/65/EY vaatimukset. Pyydä lisätietoa ottamalla yhteyttä Black & Deckeriin seuraavaan osoitteeseen tai katso ohjekirjan takaosa.

Allekirjoittanut henkilö vastaa teknisen asiakirjan tiedoista ja tekee tämän vakuutuksen Black & Deckerin puolesta.

R. Laverick

Tekninen päällikkö

Black & Decker Europe, 210 Bath Road, Slough,

Berkshire, SL1 3YD

Iso-Britannia

06/04/2018

## Takuu

Black & Decker luottaa tuotteidensa laatuun ja tarjoaa kuluttajille 24 kuukauden takuun, joka astuu voimaan ostopäivänä. Tämä takuu ei vaikuta mitenkään laillisiin oikeuksiisi vaan se täydentää niitä. Takuu on voimassa Euroopan unionin jäsenmaissa ja Euroopan vapaakauppa-alueella.

Takuu edellyttää, että vaatimus täyttää Black & Decker -yhtiön ehdot ja ostosite toimitetaan myyjälle tai valtuutettuun korjauspalveluun.

Black & Decker -yhtiön kahden vuoden takuun ehdot ja lähimmän valtuutetun huoltopalvelun tiedot ovat saatavilla verkko-osoitteessa [www.2helpU.com](http://www.2helpU.com) tai ottamalla yhteyttä paikalliseen Black & Decker -toimistoon tässä ohjekirjassa annettuja yhteystietoja käyttäen.

Osoitteessa [www.blackanddecker.co.uk](http://www.blackanddecker.co.uk) voit rekisteröidä uuden Black & Decker -tuotteesi ja saada tietoa uusista tuotteista sekä erikoistarjouksia.

## ΕΛΛΗΝΙΚΑ

(Μετάφραση των πρωτότυπων οδηγιών)

## Προβλεπόμενη χρήση

Το κρουστικό σας δράπανο BLACK+DECKER BCD003 έχει σχεδιαστεί για εφαρμογές βιδώματος και για διάτρηση σε ξύλο, μέταλλο και υλικά τοιχοποιίας. Αυτό το εργαλείο προορίζεται μόνο για καταναλωτική χρήση.

## Οδηγίες ασφαλείας

### Γενικές προειδοποιήσεις ασφαλείας για ηλεκτρικά εργαλεία



**Προειδοποίηση! Διαβάστε όλες τις προειδοποιήσεις ασφαλείας και όλες τις οδηγίες.** Η μη τήρηση των προειδοποιήσεων και οδηγιών που αναφέρονται παρακάτω μπορεί να είναι αιτία ηλεκτροπληξίας, πυρκαγιάς και/ή σοβαρού τραυματισμού.

**Φυλάξτε όλες τις προειδοποιήσεις και οδηγίες για μελλοντική αναφορά.** Ο όρος "ηλεκτρικό εργαλείο" που χρησιμοποιείται σε όλες τις παρακάτω προειδοποιήσεις, αναφέρεται είτε σε εργαλείο που λειτουργεί με ρεύμα δικτύου (ρεύματος - με καλώδιο) είτε σε εργαλείο που λειτουργεί με μπαταρία (μπαταρίας - χωρίς καλώδιο).

#### 1. Ασφάλεια στο χώρο εργασίας

**α. Διατηρείτε το χώρο εργασίας καθαρό και καλά φωτισμένο.** Η ακατάστατο ή σκοτεινό χώροι γίνονται αιτίες ατυχημάτων.

**β. Μη χρησιμοποιείτε ηλεκτρικά εργαλεία σε εκρηκτικά περιβάλλοντα, όπως με παρουσία εύφλεκτων υγρών, αερίων ή σκόνης.** Τα ηλεκτρικά εργαλεία παράγουν σπινθήρες οι οποίοι μπορούν να προκαλέσουν ανάφλεξη σκόνης ή αναθυμιάσεων.

**γ. Κρατάτε παιδιά και παρευρισκόμενους μακριά όταν χρησιμοποιείτε ηλεκτρικό εργαλείο.** Παράγοντες που αποσπούν την προσοχή μπορεί να σας κάνουν να χάσετε τον έλεγχο.

#### 2. Ασφάλεια χρήσης ηλεκτρικού ρεύματος

**α. Τα φως των ηλεκτρικών εργαλείων πρέπει να ταιριάζουν στην πρίζα. Ποτέ μην τροποποιήσετε το φως με κανέναν τρόπο. Μη χρησιμοποιήσετε οποιοδήποτε ανάπτορα φως με γειωμένα ηλεκτρικά εργαλεία.** Η χρήση μη τροποποιημένων φως και κατάλληλης πρίζας μειώνει τον κίνδυνο ηλεκτροπληξίας.

**β. Αποφεύγετε την επαφή του σώματος με γειωμένες επιφάνειες όπως σωληνώσεις, σώματα καλοριφέρ, συσκευές μαγειρέματος και ψυγεία.** Υπάρχει αυξημένος κίνδυνος ηλεκτροπληξίας αν το σώμα σας είναι γειωμένο.

**γ. Μην εκθέτετε ηλεκτρικά εργαλεία σε βροχή ή υγρές συνθήκες.** Η διείσδυση νερού σε ένα ηλεκτρικό εργαλείο αυξάνει τον κίνδυνο ηλεκτροπληξίας.

**δ. Μην κακομεταχειρίζεστε το καλώδιο. Ποτέ μη χρησιμοποιήσετε το καλώδιο για να μεταφέρετε, να τραβήξετε ή να αποσυνδέσετε από την πρίζα το ηλεκτρικό εργαλείο. Κρατάτε το καλώδιο μακριά από θερμότητα, λάδι, αιχμηρές άκρες ή κινούμενα μέρη.** Τα καλώδια που έχουν υποστεί ζημιά ή είναι μπερδεμένα αυξάνουν τον κίνδυνο ηλεκτροπληξίας.

**ε. Όταν χρησιμοποιείτε ένα ηλεκτρικό εργαλείο σε εξωτερικό χώρο, χρησιμοποιείτε καλώδιο επέκτασης κατάλληλο για χρήση σε εξωτερικό χώρο.** Η χρήση καλωδίου κατάλληλου για εργασία σε εξωτερικούς χώρους μειώνει τον κίνδυνο ηλεκτροπληξίας.

**στ. Αν είναι αναπόφευκτη η χρήση ηλεκτρικού εργαλείου σε υγρές συνθήκες, χρησιμοποιήστε παροχή ρεύματος που προστατεύεται από διάταξη προστασίας από διαρροή ρεύματος (ρελέ διαρροής - RCD). Η χρήση ρελέ διαρροής μειώνει τον κίνδυνο ηλεκτροπληξίας.**

#### 3. Ατομική ασφάλεια

**α. Να είστε πάντα σε εγρήγορση, να προσέχετε τι κάνετε και να χρησιμοποιείτε κοινή λογική όταν χρησιμοποιείτε ηλεκτρικό εργαλείο. Μη χρησιμοποιείτε ηλεκτρικό εργαλείο όταν είστε κουρασμένος/η ή υπό την επήρεια ναρκωτικών, οινοπνεύματος ή φαρμάκων.** Μια μόνο στιγμή απροσεξίας κατά τη χρήση ηλεκτρικών εργαλείων μπορεί να είναι αιτία σοβαρού τραυματισμού.

**β. Χρησιμοποιείτε εξοπλισμό ατομικής προστασίας,**



- Φοράτε πάντα προστασία ματιών.** Ο εξοπλισμός προστασίας όπως μάσκα σκόνης, αντιολισθητικά υποδήματα ασφαλείας, κράνος ή προστασία ακοής που χρησιμοποιείται για τις κατάλληλες συνθήκες μπορεί να μειώσει τις σωματικές βλάβες.
- γ. Αποτρέψτε αθέλητη έναρξη λειτουργίας. Να βεβαιώνετε ότι ο διακόπτης είναι στη θέση απενεργοποίησης πριν συνδέσετε το εργαλείο στην πηγή ρεύματος και/ή στο πακέτο μπαταριών, πριν πάρετε στα χέρια σας ή μεταφέρετε το εργαλείο.** Η μεταφορά ηλεκτρικών εργαλείων με το δάκτυλό σας στο διακόπτη ή η σύνδεση στο ρεύμα ηλεκτρικών εργαλείων που έχουν ενεργοποιημένο το διακόπτη αποτελούν πηγή ατυχημάτων.
- δ. Αφαιρέστε κάθε κλειδί ρύθμισης ή μηχανικό κλειδί πριν ενεργοποιήσετε το ηλεκτρικό εργαλείο.** Αν έχει μείνει οποιοδήποτε κλειδί συνδεδεμένο σε περιστρεφόμενο μέρος του ηλεκτρικού εργαλείου, μπορεί να προκληθεί τραυματισμός.
- ε. Μην τεντώνετε υπερβολικά. Διατηρείτε πάντα καλή στήριξη με τα πόδια και καλή ισορροπία.** Έτσι εξασφαλίζεται καλύτερος έλεγχος του ηλεκτρικού εργαλείου σε μη αναμενόμενες καταστάσεις.
- στ. Να είστε ενδεδυμένοι κατάλληλα. Μη φοράτε ρούχα με χαλαρή εφαρμογή ή κοσμήματα. Κρατάτε τα μαλλιά, τα ρούχα και τα γάντια σας μακριά από κινούμενα μέρη.** Τα χαλαρά ρούχα, τα κοσμήματα ή τα μακριά μαλλιά μπορούν να πιαστούν σε κινούμενα μέρη.
- ζ. Αν παρέχονται διατάξεις για τη σύνδεση εξοπλισμού απομάκρυνσης και συλλογής της σκόνης, να βεβαιώνετε ότι αυτές έχουν συνδεθεί και χρησιμοποιούνται σωστά.** Η χρήση εξοπλισμού συλλογής της σκόνης μπορεί να μειώσει τους κινδύνους από τη σκόνη.
- 4. Χρήση και φροντίδα ηλεκτρικών εργαλείων**
- α. Μην ασκείτε υπερβολική δύναμη στο εργαλείο. Χρησιμοποιείτε το σωστό εργαλείο για την εφαρμογή σας.** Το σωστό ηλεκτρικό εργαλείο θα κάνει την εργασία καλύτερα και ασφαλέστερα, με το ρυθμό για τον οποίο σχεδιάστηκε.
- β. Μη χρησιμοποιήσετε το ηλεκτρικό εργαλείο αν ο διακόπτης δεν το ενεργοποιεί ή δεν το απενεργοποιεί.** Οποιοδήποτε ηλεκτρικό εργαλείο δεν μπορεί να ελεγχθεί με το διακόπτη είναι επικίνδυνο και πρέπει να επισκευαστεί.
- γ. Αποσυνδέστε το φως από την πηγή ρεύματος και/ή το πακέτο μπαταριών από το εργαλείο πριν κάνετε οποιαδήποτε ρύθμιση ή αλλαγή αξεσουάρ και πριν τη φύλαξη των ηλεκτρικών εργαλείων.** Τέτοια προληπτικά μέτρα ασφαλείας μειώνουν τον κίνδυνο αθέλητης εκκίνησης του ηλεκτρικού εργαλείου.
- δ. Φυλάσσετε τα μη χρησιμοποιούμενα ηλεκτρικά εργαλεία μακριά από παιδιά και μην επιτρέψετε να χρησιμοποιούν το ηλεκτρικό εργαλείο πρόσωπα μη εξοικειωμένα με το ηλεκτρικό εργαλείο ή με αυτές τις οδηγίες.** Τα ηλεκτρικά εργαλεία είναι επικίνδυνα στα χέρια ανεκπαίδευτων χρηστών.
- ε. Συντηρείτε τα ηλεκτρικά εργαλεία. Ελέγχετε για τυχόν κακή ευθυγράμμιση ή μαγκωμα των κινούμενων μερών, θραύση εξαρτημάτων και οποιαδήποτε άλλη συνθήκη μπορεί να επηρεάσει τη λειτουργία του ηλεκτρικού εργαλείου. Αν το ηλεκτρικό εργαλείο υποστεί ζημιά, φροντίστε να επισκευαστεί πριν χρησιμοποιηθεί.** Πολλά ατυχήματα προκαλούνται από κακοσυντηρημένα ηλεκτρικά εργαλεία.
- στ. Διατηρείτε τα εργαλεία κοπής κοφτερά και καθαρά.** Τα σωστά συντηρημένα κοπτικά εργαλεία με αιχμηρές κοπτικές αιχμές έχουν μικρότερη πιθανότητα να μαγκώσουν και ελέγχονται ευκολότερα.
- ζ. Χρησιμοποιείτε το ηλεκτρικό εργαλείο, τα αξεσουάρ και τα κοπτικά εξαρτήματα του εργαλείου σύμφωνα με αυτές τις οδηγίες, λαμβάνοντας υπόψη τις συνθήκες εργασίας και την προς εκτέλεση εργασία.** Η χρήση του ηλεκτρικού εργαλείου για εργασίες διαφορετικές από τις προβλεπόμενες θα μπορούσε να προκαλέσει επικίνδυνη κατάσταση.
- 5. ΧΡΗΣΗ ΚΑΙ ΦΡΟΝΤΙΔΑ ΕΡΓΑΛΕΙΟΥ ΜΠΑΤΑΡΙΑΣ**
- α. Να επαναφορτίσετε μόνο με το φορτιστή που καθορίζει ο κατασκευαστής.** Ένας φορτιστής που είναι κατάλληλος για ένα τύπο πακέτου μπαταρίας μπορεί να δημιουργήσει κίνδυνο πυρκαγιάς όταν χρησιμοποιείται με άλλο πακέτο μπαταρίας.
- β. Χρησιμοποιείτε τα εργαλεία μόνο με τα ειδικά προβλεπόμενα πακέτα μπαταριών.** Η χρήση οποιωνδήποτε άλλων πακέτων μπαταριών μπορεί να δημιουργήσει κίνδυνο τραυματισμού και πυρκαγιάς.
- γ. Όταν ένα πακέτο μπαταρίας δεν χρησιμοποιείται, διατηρείτε το μακριά από άλλα μεταλλικά αντικείμενα όπως συνδετήρες, νομίσματα, κλειδιά, βίδες ή άλλα μικρά μεταλλικά αντικείμενα που μπορούν να δημιουργήσουν σύνδεση από τον ένα πόλο στον άλλο.** Αν βραχυκυκλωθούν οι πόλοι της μπαταρίας μπορεί να προκληθούν εγκαύματα ή πυρκαγιά.
- δ. Αν μια μπαταρία υποστεί κακομεταχείριση, μπορεί να διαρρέυσει υγρό. Αποφύγετε την επαφή. Αν κατά λάθος έρθετε σε επαφή, ξεπλύνετε με νερό. Σε περίπτωση που το υγρό έλθει σε επαφή με τα μάτια σας, ζητήστε επιπλέον και ιατρική βοήθεια.** Το υγρό που εξέρχεται από τη μπαταρία μπορεί να προκαλέσει ερεθισμούς ή εγκαύματα.

**6. Σέρβις**

- α. Αναθέστε το σέρβις του εργαλείου σας σε εξειδικευμένο τεχνικό επισκευής με χρήση μόνο γνήσιων ανταλλακτικών.** Έτσι θα εξασφαλίσετε τη διατήρηση της ασφάλειας του ηλεκτρικού εργαλείου.

**Πρόσθετες προειδοποιήσεις ασφαλείας για ηλεκτρικά εργαλεία**

**Προειδοποίηση!** Πρόσθετες προειδοποιήσεις ασφαλείας για δράπανα

- ◆ **Χρησιμοποιείτε τις βοηθητικές λαβές που παρέχονται με το εργαλείο.** Η απώλεια ελέγχου μπορεί να προκαλέσει σωματική βλάβη.
- ◆ **Κρατάτε το ηλεκτρικό εργαλείο από μονωμένες επιφάνειες λαβής όταν εκτελείτε μια εργασία όπου το αξεσουάρ κοπής μπορεί να έρθει σε επαφή με αθέατα καλώδια.** Αν το αξεσουάρ κοπής έρθει σε επαφή με καλώδιο υπό τάση μπορεί να τεθούν υπό ηλεκτρική τάση και τα εκτεθειμένα μεταλλικά μέρη του ηλεκτρικού εργαλείου και να προκληθεί ηλεκτροπληξία στο χειριστή.
- ◆ **Κρατάτε το ηλεκτρικό εργαλείο από μονωμένες επιφάνειες λαβής όταν εκτελείτε μια εργασία όπου το στοιχείο στερέωσης (βίδα) μπορεί να έρθει σε επαφή με αθέατα καλώδια.** Αν στοιχεία στερέωσης έρθουν σε επαφή με καλώδιο υπό τάση μπορεί να τεθούν υπό ηλεκτρική τάση και τα εκτεθειμένα μεταλλικά μέρη του ηλεκτρικού εργαλείου και να προκληθεί ηλεκτροπληξία στο χειριστή.
- ◆ **Χρησιμοποιείτε σφικτήρες ή άλλον πρακτικό τρόπο για να στερεώσετε και να υποστηρίξετε το τεμάχιο εργασίας σε σταθερή επιφάνεια εργασίας.** Αν κρατάτε το τεμάχιο εργασίας με το χέρι σας ή κόντρα στο σώμα σας, αυτό δεν είναι σταθερό και μπορεί να προκληθεί απώλεια ελέγχου.
- ◆ Πριν τη διάτρηση σε τοίχους, δάπεδα ή οροφές, ελέγξτε για τη θέση καλωδίων και σωλήνων.
- ◆ Προφυλάξτε να αγγίζετε τη μύτη ενός τρυπανιού αμέσως μετά τη διάτρησης, γιατί μπορεί να είναι καυτή.
- ◆ Η προβλεπόμενη χρήση περιγράφεται στο παρόν εγχειρίδιο οδηγιών. Η χρήση οποιοδήποτε αξεσουάρ ή προσαρτήματος ή η εκτέλεση οποιασδήποτε εργασίας με αυτό το εργαλείο, πέραν των όσων συνιστώνται στο παρόν εγχειρίδιο οδηγιών, μπορεί να παρουσιάσει κίνδυνο τραυματισμού και/ή υλικών ζημιών.

**Ασφάλεια των άλλων**

- ◆ Αυτό το εργαλείο δεν προορίζεται για χρήση από άτομα (περιλαμβανομένων παιδιών) με μειωμένες σωματικές, αντιληπτικές ή διανοητικές ικανότητες, ή με έλλειψη εμπειρίας και γνώσης, εκτός αν σε αυτά έχει παρασχεθεί από άτομο υπεύθυνο για την ασφάλειά τους επίβλεψη ή εκπαίδευση σχετικά με τη χρήση της συσκευής.

- ◆ Τα παιδιά θα πρέπει να βρίσκονται υπό επίβλεψη ώστε να διασφαλίζεται ότι δεν παίζουν με τη συσκευή.

**Υπολειπόμενοι κίνδυνοι**

Πρόσθετοι υπολειπόμενοι κίνδυνοι μπορεί να προκύψουν κατά τη χρήση του εργαλείου που ενδοχομένως δεν περιλαμβάνεται στις εσωκλειόμενες προειδοποιήσεις ασφαλείας. Αυτοί οι κίνδυνοι μπορούν να προκύψουν από κακή χρήση, παρατεταμένη χρήση κλπ. Ακόμα και με την εφαρμογή των σχετικών κανονισμών ασφαλείας και την εφαρμογή διατάξεων ασφαλείας, ορισμένοι υπολειπόμενοι κίνδυνοι δεν μπορούν να αποφευχθούν. Σ' αυτούς περιλαμβάνονται:

- ◆ Τραυματισμοί λόγω επαφής με οποιαδήποτε περιστρεφόμενα/κινούμενα μέρη.
- ◆ Τραυματισμοί κατά την αλλαγή οποιωνδήποτε εξαρτημάτων, λεπίδων ή αξεσουάρ.
- ◆ Τραυματισμοί από παρατεταμένη χρήση ενός εργαλείου. Όταν χρησιμοποιείτε οποιοδήποτε εργαλείο για παρατεταμένες περιόδους, να βεβαιώνετε ότι κάνετε τακτικά διαλείμματα.
- ◆ Βλάβη της ακοής.
- ◆ Κίνδυνοι για την υγεία προκαλούμενοι από την εισπνοή σκόνης που παράγεται κατά τη χρήση του εργαλείου (παράδειγμα:- εργασία με ξύλο, ειδικά βελανιδιάς, οξιάς και MDF).

**Κραδασμοί**

Οι δηλωθείσες τιμές εκπομπών κραδασμών που αναφέρονται στα τεχνικά δεδομένα και στη δήλωση συμμόρφωσης έχουν μετρηθεί σύμφωνα με τυποποιημένη μέθοδο δοκιμής που παρέχεται από το πρότυπο EN 60745 και μπορεί να χρησιμοποιηθεί για σύγκριση ενός εργαλείου με ένα άλλο. Η δηλωθείσα τιμή εκπομπής κραδασμών μπορεί να χρησιμοποιηθεί και σε προκαταρκτική αξιολόγηση της έκθεσης.

**Προειδοποίηση!** Η τιμή εκπομπής κραδασμών κατά τη χρήση του ηλεκτρικού εργαλείου στην πράξη μπορεί να διαφέρει από τη δηλωθείσα τιμή ανάλογα με τους τρόπους χρήσης του εργαλείου. Το επίπεδο κραδασμών μπορεί να αυξηθεί πάνω από το αναφερόμενο επίπεδο.

Κατά τον προσδιορισμό της έκθεσης σε κραδασμούς για τον καθορισμό των απαιτούμενων μέτρων ασφαλείας σύμφωνα με την οδηγία 2002/44/ΕΚ για την προστασία προσώπων που χρησιμοποιούν συχνά ηλεκτρικά εργαλεία στην εργασία τους, μια προσεγγιστική εκτίμηση της έκθεσης σε κραδασμούς πρέπει να λαμβάνει υπόψη τις πραγματικές συνθήκες χρήσης και τον τρόπο χρήσης του εργαλείου, συμπεριλαμβανομένων και όλων των επιμέρους τμημάτων του κύκλου εργασίας, όπως τα χρονικά διαστήματα που το εργαλείο ήταν εκτός λειτουργίας και τα διαστήματα λειτουργίας χωρίς φορτίο, επιπλέον του χρόνου πίεσης της σκανδάλης.

## Ετικέτες πάνω στο εργαλείο

Το εργαλείο φέρει τα παρακάτω σύμβολα μαζί με τον κωδικό ημερομηνίας:



**Προειδοποίηση!** Για να μειωθεί ο κίνδυνος τραυματισμού, ο χρήστης πρέπει να διαβάσει το εγχειρίδιο οδηγιών.



Φοράτε προστατευτικά ακοής κατά την εργασία με κρουστικά δράπανα. Η έκθεση σε θόρυβο μπορεί να προκαλέσει απώλεια ακοής.

## Πρόσθετες οδηγίες ασφαλείας για μπαταρίες και φορτιστές

### Μπαταρίες

- ◆ Ποτέ μην επιχειρήσετε να τς ανοίξετε για οποιονδήποτε λόγο.
- ◆ Μην εκθέτετε την μπαταρία σε νερό.
- ◆ Μην τις αποθηκεύετε σε θεσίες όπου η θερμοκρασία ενδέχεται να υπερβεί τους 40 °C.
- ◆ Να τις φορτίζετε μόνο σε θερμοκρασίες περιβάλλοντος μεταξύ 10 °C και 40 °C.
- ◆ Η φόρτιση πρέπει να γίνεται μόνο με το φορτιστή που παρέχεται μαζί με το εργαλείο.
- ◆ Κατά την απόρριψη των μπαταριών, να ακολουθείτε τις οδηγίες που παρέχονται στην ενότητα "Προστασία του περιβάλλοντος".



Μην επιχειρήσετε να φορτίσετε μπαταρίες που έχουν υποστεί ζημιά.

### Φορτιστές

- ◆ Ο φορτιστής BLACK+DECKER πρέπει να χρησιμοποιείται αποκλειστικά και μόνο για τη φόρτιση της μπαταρίας που συνόδευε το εργαλείο. Άλλες μπαταρίες ενδέχεται να εκραγούν, προκαλώντας τραυματισμό ατόμων και ζημιές.
- ◆ Μην επιχειρήσετε ποτέ να φορτίσετε μη επαναφορτιζόμενες μπαταρίες.
- ◆ Φροντίστε για την άμεση αντικατάσταση τυχόν ελαττωματικών καλωδίων.
- ◆ Μην εκθέτετε το φορτιστή σε νερό.
- ◆ Μην ανοίξετε το φορτιστή.
- ◆ Μην εισάγετε οποιαδήποτε αντικείμενα μέσα στο φορτιστή.



Ο φορτιστής προορίζεται για χρήση μόνο σε εσωτερικούς χώρους.



Διαβάστε το εγχειρίδιο οδηγιών πριν τη χρήση.

## Ασφάλεια χρήσης ηλεκτρικού ρεύματος



Ο φορτιστής σας φέρει διπλή μόνωση. Επομένως, δεν απαιτείται αγωγός γείωσης. Ελέγχετε πάντα ότι η τάση ρεύματος δικτύου συμφωνεί με αυτήν που αναγράφεται στην πινακίδα τεχνικών χαρακτηριστικών. Ποτέ μην επιχειρήσετε να αντικαταστήσετε τη μονάδα φορτιστή με κανονικό φως ρεύματος δικτύου.

- ◆ Αν το καλώδιο ρεύματος έχει υποστεί ζημιά, πρέπει να αντικατασταθεί από τον κατασκευαστή ή εξουσιοδοτημένο κέντρο σέρβις BLACK+DECKER, για την αποφυγή κινδύνων.

## Χαρακτηριστικά

Αυτό το εργαλείο διαθέτει μερικά από ή όλα τα παρακάτω χαρακτηριστικά.

1. Διακόπτης ρύθμισης ταχύτητας
2. Συρόμενος επιλογέας κίνησης εμπρός/πίσω
3. Κολάρο ρύθμισης ροπής
4. Αυτόματο τσοκ
5. Σύστημα γραναζιών διπλού εύρους ταχυτήτων
6. Φως εργασίας LED
7. Μπαταρία
8. Κουμπί απελευθέρωσης μπαταρίας

## Συναρμολόγηση

### Χρήση

**Προειδοποίηση!** Αφήνετε το εργαλείο να λειτουργεί με το δικό της ρυθμό. Μην το υπερφορτώνετε.

### Φόρτιση της μπαταρίας (εικ. A1, A2)

Η μπαταρία πρέπει να φορτιστεί πριν την πρώτη χρήση και όποτε αδυνατεί να παρέχει επαρκή ισχύ σε εργασίες η εκτέλεση των οποίων ήταν προγενέστερα εύκολη. Η μπαταρία μπορεί να θερμαίνεται κατά τη φόρτιση. Κάτι τέτοιο είναι φυσιολογικό και δεν υποδηλώνει πρόβλημα.

**Προειδοποίηση!** Μη φορτίζετε την μπαταρία σε θερμοκρασίες περιβάλλοντος κάτω από 10 °C ή πάνω από 40 °C. Η συνιστώμενη θερμοκρασία φόρτισης είναι περίπου 24 °C.

**Σημείωση:** Ο φορτιστής δεν θα φορτίσει μια μπαταρία με θερμοκρασία κυψέλης κάτω από περίπου 10 °C ή πάνω από 40 °C.

**Η μπαταρία θα πρέπει να παραμείνει στο φορτιστή και αυτός θα αρχίσει να τη φορτίζει αυτόματα μόλις η θερμοκρασία κυψέλης αυξηθεί ή μειωθεί αντίστοιχα.**

- ◆ Συνδέστε το φορτιστή (9) σε οποιαδήποτε κανονική πρίζα ρεύματος 230 V 50 Hz.
- ◆ Τοποθετήστε το πακέτο μπαταρίας (7) μέσα στο φορτιστή όπως δείχνει η εικ. A1, A2.



Η λυχνία LED (9a) θα αναβοσβήνει υποδεικνύοντας ότι η μπαταρία φορτίζεται.



Η ολοκλήρωση της φόρτισης υποδεικνύεται από τη λυχνία LED (9a) η οποία παραμένει αναμμένη συνεχώς. Το πακέτο μπαταρίας είναι πλήρως φορτισμένο και μπορεί να χρησιμοποιηθεί άμεσα ή να παραμείνει στο φορτιστή.

**Προειδοποίηση!** Κίνδυνος φωτιάς. Όταν αφαιρείτε την μπαταρία από το φορτιστή, να βεβαιώνετε ότι πρώτα αφαιρείτε το φορτιστή από την πρίζα, και κατόπιν να αφαιρείτε την μπαταρία από το φορτιστή.

### Διαγνωστικά φορτιστή

Αυτός ο φορτιστής έχει σχεδιαστεί να ανιχνεύει ορισμένα προβλήματα που μπορεί να προκύψουν με τα πακέτα μπαταριών ή την πηγή ρεύματος. Τα προβλήματα υποδεικνύονται από μια λυχνία LED που αναβοσβήνει με διαφορετικά μοτίβα αναλαμπών.

### Προβληματική μπαταρία



Ο φορτιστής μπορεί να ανιχνεύσει ότι μια μπαταρία είναι εξασθενημένη ή έχει υποστεί ζημιά. Η λυχνία LED αναβοσβήνει με το μοτίβο αναλαμπών που υποδεικνύεται στην ετικέτα. Αν δείτε αυτό το μοτίβο αναλαμπών που αντιστοιχεί σε προβληματική μπαταρία, μη συνεχίσετε τη φόρτιση της μπαταρίας. Επιστρέψτε την σε κέντρο σέρβις ή σε θέση συλλογής για ανακύκλωση.

### Καθυστερήση θερμού/ ψυχρού πακέτου



Αν ο φορτιστής ανιχνεύσει μπαταρία με υπερβολικά υψηλή ή χαμηλή θερμοκρασία, ξεκινά αυτόματα μια Καθυστερήση θερμού/ ψυχρού πακέτου μπαταρίας, αναστέλλοντας τη φόρτιση έως ότου η μπαταρία έχει φθάσει σε κατάλληλη θερμοκρασία. Αφού συμβεί αυτό, ο φορτιστής μεταβαίνει αυτόματα σε λειτουργία φόρτισης του πακέτου. Αυτή η λειτουργία διασφαλίζει τη μέγιστη διάρκεια ζωής της μπαταρίας. Η λυχνία αναβοσβήνει με το μοτίβο αναλαμπών που υποδεικνύεται στην ετικέτα.

### Παραμονή της μπαταρίας στο φορτιστή

Ο φορτιστής και το πακέτο μπαταρίας μπορούν να παραμείνουν συνδεδεμένα επί αόριστον με τη λυχνία LED αναμμένη. Ο φορτιστής θα διατηρεί το πακέτο μπαταρίας σε βέλτιστη κατάσταση και πλήρως φορτισμένο. Αυτός ο φορτιστής διαθέτει μια αυτόματη λειτουργία συντήρησης η οποία εξισώνει ή εξισορροπεί τα μεμονωμένα στοιχεία στο πακέτο μπαταρίας για να επιτρέπει στο πακέτο μπαταρίας να λειτουργεί σε μέγιστη χωρητικότητα.

Τα πακέτα μπαταρίας πρέπει να υποβάλλονται στη διαδικασία συντήρησης κάθε εβδομάδα ή όταν η μπαταρία δεν παρέχει πλέον το ίδιο αποτέλεσμα όπως παλαιότερα. Για να χρησιμοποιήσετε τη λειτουργία αυτόματης συντήρησης, τοποθετήστε το πακέτο μπαταρίας στο φορτιστή και αφήστε το εκεί για τουλάχιστον 8 ώρες.

### Σημαντικές επισημάνσεις για τη φόρτιση

- ◆ Μπορείτε να επιτύχετε την καλύτερη δυνατή διάρκεια ζωής και τη μέγιστη απόδοση εάν φορτίζετε το πακέτο μπαταρίας σε θερμοκρασία 18 °C - 24 °C. ΜΗ φορτίζετε το πακέτο μπαταρίας σε θερμοκρασίες αέρα που είναι μικρότερες από +4,5 °C ή μεγαλύτερες από +40 °C. Αυτό είναι σημαντικό και θα αποτρέψει τη σοβαρή βλάβη του πακέτου μπαταρίας.
- ◆ Ο φορτιστής και το πακέτο μπαταρίας μπορεί να θερμανθούν αισθητά κατά τη φόρτιση. Αυτό είναι κανονικό χαρακτηριστικό της λειτουργίας και όχι ένδειξη προβλήματος. Για να διευκολύνετε την ψύξη του πακέτου μπαταρίας μετά τη χρήση, αποφεύγετε να τοποθετείτε το φορτιστή ή το πακέτο μπαταρίας σε θερμό περιβάλλον, όπως σε μεταλλικό παράπηγμα ή σε μη μονωμένο τρέιλερ.
- ◆ Αν το πακέτο μπαταρίας δεν φορτίζεται σωστά:
  - ◆ Ελέγξτε τη λειτουργία της πρίζας συνδέοντας ένα φωτιστικό ή άλλη συσκευή.
  - ◆ Ελέγξτε μήπως η πρίζα συνδέεται σε διακόπτη που διακόπτει το ρεύμα όταν σβήνεται τα φώτα.
  - ◆ Μετακινήστε το φορτιστή και το πακέτο μπαταρίας σε θέση όπου η θερμοκρασία αέρα περιβάλλοντος είναι περίπου 18 °C - 24 °C.
  - ◆ Αν τα προβλήματα φόρτισης επιμένουν, παραδώστε το εργαλείο, το πακέτο μπαταρίας και το φορτιστή στο τοπικό σας κέντρο σέρβις.
- ◆ Το πακέτο μπαταρίας πρέπει να επαναφορτίζεται όταν δεν είναι σε θέση να παράγει επαρκή ισχύ σε εργασίες που γίνοντουσαν εύκολα πιο πριν. ΜΗ ΣΥΝΕΧΙΣΕΤΕ τη χρήση υπό αυτές τις συνθήκες. Ακολουθήστε τη διαδικασία φόρτισης. Μπορείτε επίσης να φορτίσετε όποτε επιθυμείτε ένα πακέτο μπαταρίας που δεν έχει εξαντληθεί πλήρως, χωρίς αυτό να έχει αρνητικές συνέπειες.
- ◆ Ξένα υλικά αγωγίμης φύσης, όπως είναι, αλλά χωρίς να περιορίζονται σε, σκόνη από εργασίες λείανσης, μεταλλικά ρινίσματα, σύρμα τριψίματος, αλουμινόχαρτο ή οποιαδήποτε συσώρευση μεταλλικών σωματιδίων πρέπει να κρατάτε μακριά από τις κοιλότητες του φορτιστή. Αποσυνδέστε το φορτιστή από την πρίζα πριν επιχειρήσετε να τον καθαρίσετε.
- ◆ Μην παγώσετε ή βυθίσετε το τροφοδοτικό σε νερό ή οποιοδήποτε άλλο υγρό.

## Τοποθέτηση και αφαίρεση του πακέτου μπαταρίας από το εργαλείο (εικ. Β)

**Προειδοποίηση!** Πριν την αφαίρεση ή την τοποθέτηση της μπαταρίας, βεβαιωθείτε ότι έχετε χρησιμοποιήσει το κουμπί ασφάλισης (2), για να αποφύγετε ενεργοποίηση του διακόπτη.

Για να εγκαταστήσετε το πακέτο μπαταρίας:

- ◆ Εισαγάγετε το πακέτο μπαταρίας (7) στο εργαλείο, έως ότου ακούσετε χαρακτηριστικό ήχο κλικ (εικ. Β)

## Αφαίρεση του πακέτου μπαταρίας από το εργαλείο (εικ. C)

- ◆ Πατήστε το κουμπί απελευθέρωσης της μπαταρίας (8) όπως δείχνει η (εικ. C) και τραβήξτε το πακέτο μπαταρίας έξω από το εργαλείο.

## Οδηγίες χρήσης

### Διακόπτης σκανδάλης και κουμπί αντιστροφής κίνησης (εικ. D)

- ◆ Ενεργοποιείτε και απενεργοποιείτε το δράπανο πατώντας και αφήνοντας αντίστοιχα το διακόπτη σκανδάλης (1). Όσο περισσότερο πατάτε τη σκανδάλη, τόσο ταχύτερα λειτουργεί το δράπανο.
- ◆ Το κουμπί ελέγχου κίνησης εμπρός/όπισθεν (2) καθορίζει την κατεύθυνση περιστροφής του εργαλείου και επίσης χρησιμεύει ως κουμπί ασφάλισης στην απενεργοποιημένη κατάσταση.
- ◆ Για να επιλέξετε περιστροφική κίνηση προς τα εμπρός, απελευθερώστε το διακόπτη σκανδάλης και πιέστε το κουμπί ελέγχου κίνησης εμπρός/όπισθεν προς τα αριστερά.
- ◆ Για να επιλέξετε την αντίθετη κατεύθυνση κίνησης, μετακινήστε το κουμπί ελέγχου κίνησης εμπρός/όπισθεν στην αντίθετη κατεύθυνση.

**Σημείωση:** Η μεσαία θέση του κουμπιού ελέγχου ασφαρίζει το εργαλείο στη θέση απενεργοποίησης. Όταν αλλάζετε τη θέση του κουμπιού ελέγχου, να βεβαιώνετε ότι έχει ελευθερωθεί η σκανδάλη.

### Έλεγχος της ροπής (εικ. E)

Αυτό το εργαλείο είναι εξοπλισμένο με ένα κολάρο (3) για την επιλογή τρόπου λειτουργίας και για τη ρύθμιση της ροπής, όταν σφίγγετε βίδες. Οι μεγάλες βίδες και τα σκληρά τεμάχια εργασίας χρειάζονται μεγαλύτερη ρύθμιση ροπής από τις μικρές βίδες και τα μαλακά τεμάχια εργασίας.

- ◆ Για διάτρηση σε ξύλο, μέταλλο και πλαστικά, ρυθμίστε το κολάρο στη θέση με το σύμβολο της διάτρησης
- ◆ Για βίδωμα, ρυθμίστε το κολάρο στην επιθυμητή ρύθμιση. Αν δεν γνωρίζετε ακόμη την κατάλληλη ρύθμιση, συνεχίστε ως εξής:
- ◆ Τοποθετήστε το κολάρο στη χαμηλότερη ρύθμιση ροπής.
- ◆ Σφίξτε την πρώτη βίδα.

- ◆ Αν ο συμπλέκτης αποσυμπλέκεται πριν επιτύχετε το επιθυμητό αποτέλεσμα, αυξήστε τη ρύθμιση του κολάρου και συνεχίστε τη σύσφιξη της βίδας. Επαναλάβετε μέχρι να επιτύχετε τη σωστή ρύθμιση. Χρησιμοποιήστε την ίδια ρύθμιση και για τις υπόλοιπες βίδες.

### Αυτόματο τσοκ (εικ. F)

**Προειδοποίηση!** Πριν την αφαίρεση ή την τοποθέτηση αξεσουάρ, βεβαιωθείτε ότι έχετε χρησιμοποιήσει το κουμπί ασφάλισης (2), για να αποφύγετε ενεργοποίηση του διακόπτη.

Για να τοποθετήσετε ένα τρυπάνι ή άλλο αξεσουάρ:

- ◆ Πιάστε το πίσω μισό του τσοκ (4) με το ένα χέρι και χρησιμοποιήστε το άλλο χέρι για να περιστρέψετε το μπροστινό μισό σε αριστερόστροφη κατεύθυνση όπως το βλέπετε από την πλευρά του τσοκ.
- ◆ Τοποθετήστε τη μύτη ή άλλο αξεσουάρ τελείως μέσα στο τσοκ και σφίξτε το τσοκ καλά κρατώντας το πίσω μισό του τσοκ και περιστρέφοντας το μπροστινό τμήμα δεξιόστροφα όπως φαίνεται από την πλευρά του τσοκ.

**Προειδοποίηση!** Μην επιχειρήσετε να σφίξετε τρυπάνια (ή οποιοδήποτε άλλο αξεσουάρ) πιάνοντας το μπροστινό μέρος του τσοκ και ενεργοποιώντας το εργαλείο. Μπορεί να προκληθεί ζημιά στο τσοκ και τραυματισμός κατά την αλλαγή των αξεσουάρ με αυτόν τον τρόπο.

### Σύστημα γραναζιών διπλού εύρους ταχύτητας (Εικόνα G)

Το χαρακτηριστικό διπλής περιοχής του δράπανου σας επιτρέπει να αλλάζετε ταχύτητες για μεγαλύτερη ευελιξία χρήσης. Για να επιλέξετε τη ρύθμιση χαμηλής ταχύτητας, υψηλής ροπής (θέση 1), απενεργοποιήστε το εργαλείο και αφήστε το να σταματήσει. Μετακινήστε το κουμπί επιλογής ταχύτητας (5) σε κατεύθυνση αντίθετη του τσοκ. Για να επιλέξετε τη ρύθμιση υψηλής ταχύτητας, χαμηλής ροπής (θέση 2), απενεργοποιήστε το εργαλείο και αφήστε το να σταματήσει.

Μετακινήστε το κουμπί επιλογής ταχύτητας προς την κατεύθυνση του τσοκ.

**Σημείωση:** Μην αλλάζετε ταχύτητα με το εργαλείο εν κινήσει. Αν δυσκολεύεστε στην αλλαγή ταχυτήτων, βεβαιωθείτε ότι το κουμπί διπλής περιοχής ταχυτήτων έχει μετακινήσει είτε τελείως μπροστά είτε τελείως πίσω.

### Διάτρηση/βίδωμα

- ◆ Επιλέξτε περιστροφική κίνηση εμπρός ή όπισθεν χρησιμοποιώντας το συρόμενο κουμπί κίνησης εμπρός/όπισθεν (2).
- ◆ Για να ενεργοποιήσετε το εργαλείο, πιέστε το διακόπτη (1). Η ταχύτητα λειτουργίας του εργαλείου εξαρτάται από το πόσο πιέζετε το διακόπτη.
- ◆ Για να απενεργοποιήσετε το εργαλείο, ελευθερώστε το διακόπτη.

## Συμβουλές για βέλτιστη χρήση

### Διάρτηση

- ◆ Χρησιμοποιείτε μόνο αιχμηρά τρυπάνια.
- ◆ Υποστηρίξτε και στερεώστε σωστά το τεμάχιο εργασίας, όπως υποδεικνύεται στις Οδηγίες ασφαλείας.
- ◆ Χρησιμοποιείτε τον κατάλληλο και απαιτούμενο εξοπλισμό ασφαλείας, όπως υποδεικνύεται στις οδηγίες ασφαλείας.
- ◆ Προστατεύετε και διατηρείτε σε καλή κατάσταση την περιοχή εργασίας, σύμφωνα με τις Οδηγίες ασφαλείας.
- ◆ Ξεκινάτε τη διάρτηση με πολύ μικρή ταχύτητα, χρησιμοποιώντας μόνο μικρή πίεση, έως ότου ξεκινήσει η σπή και επαρκεί να συγκρατεί το τρυπάνι χωρίς να κινδυνεύει να γλιστρήσει έξω από αυτή.
- ◆ Πάντα εφαρμόζετε πίεση σε ευθεία γραμμή με το τρυπάνι. Ασκήστε όση πίεση χρειάζεται για να μπορεί η μύτη να διατρήσει το αντικείμενο, όχι όμως σε υπερβολικό βαθμό γιατί υπάρχει κίνδυνος να κολλήσει το μοτέρ ή να παραμορφωθεί η μύτη.
- ◆ Κρατάτε το τρυπάνι καλά και με τα δύο χέρια ώστε να ελέγχετε την κίνηση συστροφής του.
- ◆ ΑΝ ΤΟ ΔΡΑΠΑΝΟ ΑΚΙΝΗΤΟΠΟΙΗΘΕΙ, ΜΗΝ ΠΙΑΤΕ ΚΑΙ ΑΦΗΝΕΤΕ ΤΗ ΣΚΑΝΔΑΛΗ ΠΡΟΣΠΑΘΩΝΤΑΣ ΝΑ ΤΟ ΘΕΣΕΤΕ ΠΑΛΙ ΣΕ ΚΙΝΗΣΗ. ΜΠΟΡΕΙ ΝΑ ΠΡΟΚΛΗΘΕΙ ΖΗΜΙΑ ΣΤΟ ΔΡΑΠΑΝΟ.
- ◆ Ελαχιστοποιήστε το ενδεχόμενο κολλήματος μειώνοντας την πίεση και τρυπώντας αργά στο τελευταίο τμήμα της σπής.
- ◆ Διατηρήστε το μοτέρ σε λειτουργία καθώς τραβάτε τη μύτη τρυπανιού από την σπή διάρτησης. Αυτό θα βοηθήσει να αποτραπεί το σφήνωμα.
- ◆ Βεβαιωθείτε ότι ο διακόπτης ενεργοποιεί και απενεργοποιεί το δράπανο.

### Διάρτηση σε ξύλο

Οι σπές στο ξύλο μπορούν να γίνουν με τις ίδιες ελικοειδείς μύτες τρυπανιού που χρησιμοποιούνται μέταλλο ή με επίπεδες μύτες. Αυτές οι μύτες θα πρέπει να είναι αιχμηρές και να τις τραβάτε έξω συχνά κατά τη διάρτηση ώστε να φεύγουν τα πριονίδια από τις αυλακώσεις τους.

### Διάρτηση σε μέταλλο

Χρησιμοποιείτε λιπαντικό κοπής κατά τη διάρτηση μετάλλων. Εξαιρέσεις είναι ο χυτοσίδηρος και ο ορείχαλκος όπου πρέπει να γίνεται ξηρή διάρτηση. Τα πιο αποτελεσματικά λιπαντικά κοπής είναι το θειωμένο λάδι κοπής και το λαρδί.

### Διάρτηση σε υλικά τοιχοποιίας

Για διάρτηση σε υλικά τοιχοποιίας ρυθμίστε το κολάρο (3) στη θέση κρουστικής διάρτησης, ευθυγραμμίζοντας το σύμβολο με την ένδειξη.

Μετακινήστε τον επιλογέα ταχύτητας (5) προς το μπροστινό μέρος του εργαλείου (2η ταχύτητα).

### Βίδωμα

- ◆ Χρησιμοποιείτε πάντα μύτες κατασβιδιού του κατάλληλου τύπου και μεγέθους.
- ◆ Εάν συναντήσετε δυσκολία κατά τη σύσφιξη βιδών, δοκιμάστε να χρησιμοποιήσετε μικρή ποσότητα υγρού πλυσίματος ή σαπουνιού για λίπανση.
- ◆ Πάντοτε να κρατάτε το εργαλείο και τη μύτη κατασβιδιού σε ευθεία γραμμή με τη βίδα

### Αντιμετώπιση προβλημάτων

Πρόβλημα	Πιθανή αιτία	Πιθανή λύση
Η μονάδα δεν τίθεται σε λειτουργία.	Το πακέτο μπαταρίας δεν είναι φορτισμένο.	Ελέγξτε τις απαιτήσεις φόρτισης του πακέτου μπαταρίας
Το πακέτο μπαταρίας δεν φορτίζεται.	Ο φορτιστής δεν έχει συνδεθεί στην πρίζα. Η θερμοκρασία αέρα περιβάλλοντος είναι πολύ θερμή ή πολύ ψυχρή.	Συνδέστε το φορτιστή σε πρίζα που λειτουργεί. Μετακινήστε το φορτιστή και την μπαταρία σε θέση με θερμοκρασία αέρα περιβάλλοντος πάνω από 4,5 °C (40 °F) και κάτω από 40,5 °C (105 °F)
Η μονάδα σβήνει ξαφνικά.	Το πακέτο μπαταρίας έχει φθάσει στο όριο μέγιστης θερμοκρασίας του. Εκτός φόρτισης, (Για να μειωτοποιηθεί η διάρκεια ζωής του, το πακέτο μπαταρίας έχει σχεδιαστεί να απενεργοποιείται άμεσα όταν εξαντληθεί η φόρτισή του)	Αφήστε το πακέτο μπαταρίας να κρυώσει. Τοποθετήστε το στο φορτιστή και αφήστε το να φορτιστεί.

### Συντήρηση

Το ηλεκτρικό σας εργαλείο BLACK+DECKER έχει σχεδιαστεί να λειτουργεί για μεγάλη χρονική περίοδο με ελάχιστη συντήρηση. Η συνεχής ικανοποιητική λειτουργία εξαρτάται από τη σωστή φροντίδα και τον τακτικό καθαρισμό του εργαλείου. Ο φορτιστής σας δεν χρειάζεται καμία άλλη συντήρηση πέραν του τακτικού καθαρισμού.

**Προειδοποίηση!** Πριν πραγματοποιήσετε οποιαδήποτε συντήρηση στο εργαλείο, αφαιρέστε την μπαταρία από το εργαλείο. Αποσυνδέετε το φορτιστή από την πρίζα πριν τον καθαρίσετε.

- ◆ Να καθαρίζετε τακτικά τις εγκοπές εξαιρισμού του εργαλείου και του φορτιστή με μια μαλακή βούρτσα ή με ένα στεγνό πανί.
- ◆ Να καθαρίζετε τακτικά το περίβλημα του μοτέρ με ένα ελαφρά υγρό πανί. Μη χρησιμοποιείτε καθαριστικά που χαράζουν ή περιέχουν διαλύτες.
- ◆ Να ανοίγετε τακτικά το τσοκ και να το χτυπάτε ελαφρά για να αφαιρείται η σκόνη από το εσωτερικό του.

## Προστασία του περιβάλλοντος



Χωριστή συλλογή. Προϊόντα και μπαταρίες που επισημαίνονται με αυτό το σύμβολο δεν πρέπει να απορρίπτονται μαζί με τα κανονικά οικιακά απορρίμματα.

Τα προϊόντα και οι μπαταρίες περιέχουν υλικά που μπορούν να ανακτηθούν ή να ανακυκλωθούν ώστε να μειωθούν οι ανάγκες για πρώτες ύλες.

Παρακαλούμε να ανακυκλώνετε τα ηλεκτρικά προϊόντα και τις μπαταρίες σύμφωνα με τους τοπικούς κανονισμούς. Περισσότερες πληροφορίες διατίθενται στον ιστότοπο [www.2helpU.com](http://www.2helpU.com)

## Τεχνικά δεδομένα

		BCD003
Τάση	$V_{DC}$	18
Στροφές χωρίς φορτίο	$min^{-1}$	0 - 360/0 - 1400
Μέγ. ροπή	Nm	45
Μέγεθος τσοκ	mm	1-10
Μέγ. διατηρητική ικανότητα		
Χάλυβας/ξύλο/υλικά τοιχοποιίας	mm	10/25/10
Βάρος	kg	0,9 (με μπαταρία 1,3)

Φορτιστής		90589867	90590287-06	90634971
Τάση εισόδου	$V_{AC}$	230	230	230
Τάση εξόδου	$V_{DC}$	18	18	18
Ρεύμα	mA	200	400	1A
Χρόνος φόρτισης, περ.	Ωρες	8	3 - 5	1,5

		BL1518
Τάση	$V_{AC}$	18
Χωρητικότητα	Ah	1,5
Τύπος		Li-Ion

Στάθμη ηχητικής πίεσης σύμφωνα με το πρότυπο EN 60745:	
Ηχητική πίεση ( $L_{pA}$ )	86,0 dB(A), αβεβαιότητα (K) 3 dB(A)
Ηχητική ισχύς ( $L_{WA}$ )	97,0 dB(A), αβεβαιότητα (K) 3 dB(A)

Συνολικές τιμές κραδασμών (άθροισμα διανυσμάτων τριών αξόνων) σύμφωνα με το EN 60745:	
Κρουστική διάτρηση σε σκυρόδεμα ( $a_{h, D}$ )	6,8 $m/s^2$ , αβεβαιότητα (K) 1,5 $m/s^2$
Κρουστική διάτρηση σε μέταλλο ( $a_{h, S}$ )	1,8 $m/s^2$ , αβεβαιότητα (K) 1,5 $m/s^2$

**Δήλωση συμμόρφωσης EK**  
ΟΔΗΓΙΑ ΣΧΕΤΙΚΑ ΜΕ ΤΑ ΜΗΧΑΝΗΜΑΤΑ



BCD003 - Κρουστικό δράπανο

Η Black & Decker δηλώνει ότι τα προϊόντα αυτά που περιγράφονται στα «Τεχνικά στοιχεία» βρίσκονται σε συμμόρφωση με:  
2006/42/EK, EN60745-1:2009+A11:2010, EN60745-2-1:2010, EN60745-2-2:2010.

Αυτά τα προϊόντα συμμορφώνονται και με την Οδηγία 2014/30/EE και 2011/65/EE. Για περισσότερες πληροφορίες, απευθυνθείτε στη Black & Decker στη διεύθυνση που ακολουθεί ή ανατρέξτε στο πίσω μέρος του εγχειριδίου.

Ο υπογράφων είναι υπεύθυνος για τη σύνταξη του τεχνικού φακέλου και υποβάλλει τη δήλωση για λογαριασμό της Black & Decker.

R. Laverick  
Διευθυντής Σχεδιασμού  
Black & Decker Europe, 210 Bath Road, Slough,  
Berkshire, SL1 3YD  
Ηνωμένο Βασίλειο  
06/04/2018

## Εγγύηση

Η Black & Decker είναι σίγουρη για την ποιότητα των προϊόντων της και προσφέρει στους καταναλωτές εγγύηση 24 μηνών από την ημερομηνία της αγοράς. Αυτή η εγγύηση συμπληρώνει και με κανένα τρόπο δεν παραβάλλει τα νόμιμα δικαιώματά σας. Η εγγύηση ισχύει εντός της επικράτειας των χωρών μελών της Ευρωπαϊκής Ένωσης και της Ευρωπαϊκής Ζώνης Ελευθέρων Συναλλαγών.

Για να υποβάλετε αξίωση βάσει της εγγύησης, η αξίωση θα πρέπει να είναι σύμφωνη με τους Όρους και τις Προϋποθέσεις της Black & Decker και θα χρειαστεί να υποβάλετε απόδειξη αγοράς στον πωλητή ή σε εξουσιοδοτημένο αντιπρόσωπο επισκευών.

Μπορείτε να αποκτήσετε τους Όρους και προϋποθέσεις της εγγύησης 2 έτους της Stanley Fat Max και να μάθετε την τοποθεσία του πλησιέστερου εξουσιοδοτημένου αντιπροσώπου επισκευών στο Internet στο [www.2helpU.com](http://www.2helpU.com), ή επικοινωνώντας με το τοπικό σας γραφείο Black & Decker στη διεύθυνση που υποδεικνύεται στο παρόν εγχειρίδιο.

Επισκεφθείτε τον ιστότοπό μας [www.blackanddecker.co.uk](http://www.blackanddecker.co.uk) για να καταχωρίσετε το καινούργιο προϊόν Black & Decker που αποκτήσατε και για να λαμβάνετε ενημερώσεις σχετικά με νέα προϊόντα και ειδικές προσφορές.

<b>België/Belgique/Luxembourg</b> www.blackanddecker.be enduser.be@sbdinc.com	Stanley Black & Decker Belgium BVBA Egide Walschaertsstraat 16 2800 Mechelen	Tel. NL +32 15 47 37 65 Tel. FR +32 15 47 37 66 Fax. +32 15 47 37 99
<b>Danmark</b>	Black & Decker Roskildevej 22 2620 Albertslund	kundeservice.dk@sbdinc.com www.blackanddecker.dk
<b>Deutschland</b> www.blackanddecker.de infobfge@sdbinc.com	Stanley Black & Decker Deutschland GmbH Black & Decker Str. 40, D - 65510 Idstein	Tel. 06126 21-0 Fax 06126 21-2980
<b>Ελλάδα</b> www.blackanddecker.gr greece.service@sbdinc.com	Stanley Black & Decker (ΕΛΛΑΣ) Ε.Π.Ε ΓΡΑΦΕΙΑ: Σπύριδωνος 7 & Βουλιαγμένης 166 74 Γλυφάδα - Αθήνα	Τηλ. 210-8981616 Φαξ 210-8983570
<b>SERVICE:</b>	Ημερος Τόπος 2 -Χάνι Αδάμ 193 00 Ασπρόπυργος - Αθήνα	Τηλ. Service 210-8985208 Φαξ 210-5597598
<b>España</b> www.blackanddecker.es respuesta.posventa@sbdinc.com	Stanley Black & Decker Ibérica, S.C.A. Parc de Negocis "Mas Blau" Edificio Muntadas, c/Bergadà, 1, Of. A6 08820 El Prat de Llobregat (Barcelona)	Tel. 934 797 400 Fax 934 797 419
<b>France</b> www.blackanddecker.fr	Black & Decker (France) S.A.S. 5 allée des Hêtres B.P. 30084 69579 Limonest Cédex	Tel. 04 72 20 39 20 Fax 04 72 20 39 00
<b>Helvetia</b> www.blackanddecker.ch service@rofoag.ch	ROFO AG Gewerbezone Seeblick 3213 Kleinbösingen	Tel. 026-6749393 Fax 026-6749394
<b>Italia</b> www.blackanddecker.it service.italia@sbdinc.com	Stanley Black & Decker Italia Via Energypark 6 20871 Vimercate (MB)	Tel. 039-9590200 Fax 039-9590313 Numero verde 800-213935
<b>Nederland</b> www.blackanddecker.nl enduser.nl@sbdinc.com	Stanley Black & Decker Netherlands BV Holtum Noordweg 35, 6121 RE BORN Postbus 83, 6120 AB BORN	Tel. +31 164 283 065 Fax +31 164 283 200
<b>Norge</b>	Black & Decker Postboks 4613, Nydalen 0405 Oslo	kundeservice.no@sbdinc.com www.blackanddecker.no
<b>Österreich</b> www.blackanddecker.at service.austria@sbdinc.com	Stanley Black & Decker Austria GmbH Oberlaaerstraße 248, A-1230 Wien	Tel. 01 66116-0 Fax 01 66116-614
<b>Portugal</b> www.blackanddecker.pt resposta.posvenda@sbdinc.com	Black & Decker Limited SARL Quinta da Fonte - Edifício Q55 D, Diniz Rua dos Malhães, 2 e 2A - Piso 2 Esquerdo 2770 - 071 Paço de Arcos	Tel. 214667500 Fax 214667580
<b>Suomi</b>	Black & Decker PL47 00521, Helsinki	asiakaspalvelu.fi@sbdinc.com www.blackanddecker.fi
<b>Sverige</b>	Black & Decker AB Box 94, 431 22 Mölndal	kundservice.se@sbdinc.com www.blackanddecker.se
<b>Türkiye</b> www.blackanddecker.com.tr	KALE Hirdavat ve Makina A.Ş. Defferdar Mah. Savaklar Cad. No:15 Edimekapı / Eyüp / İstanbul 34050	Tel. 0212 533 52 55 Fax. 0212 533 10 05
<b>United Kingdom &amp; Republic Of Ireland</b> www.blackanddecker.co.uk emeaservice@sbdinc.com	Black & Decker 210 Bath Road Slough, Berkshire SL1 3YD	Tel. 01753 511234 Fax 01753 512365
<b>Middle East &amp; Africa</b> www.blackanddecker.ae service.mea@sbdinc.com	Black & Decker P.O.Box - 17164 Jebel Ali Free Zone (South), Dubai, UAE	Tel. +971 4 8863030 Fax +971 4 8863333