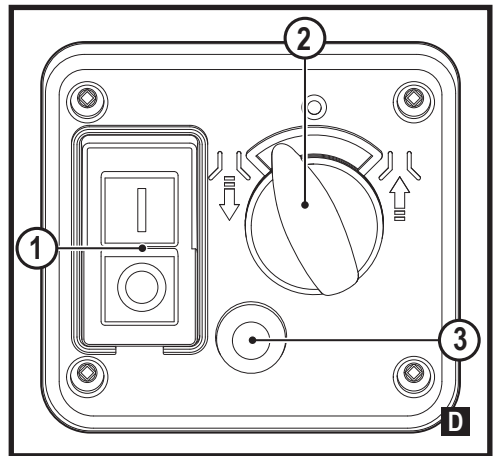
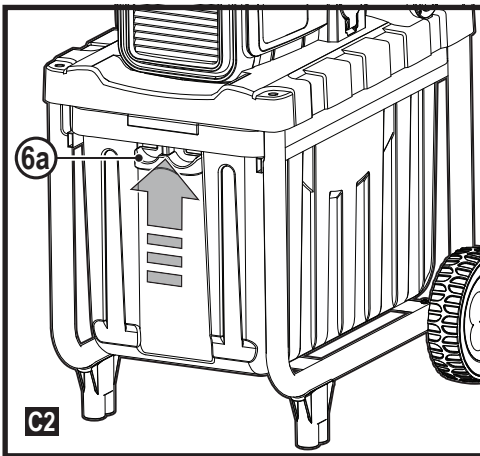
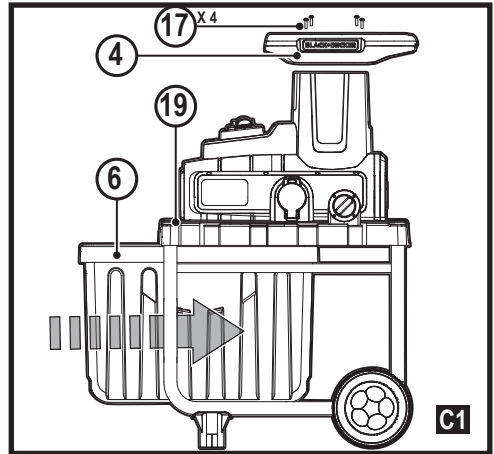
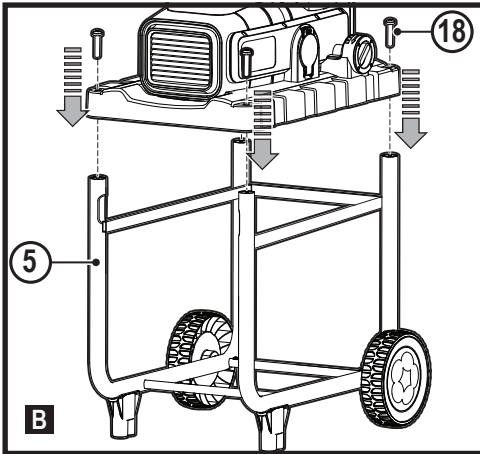
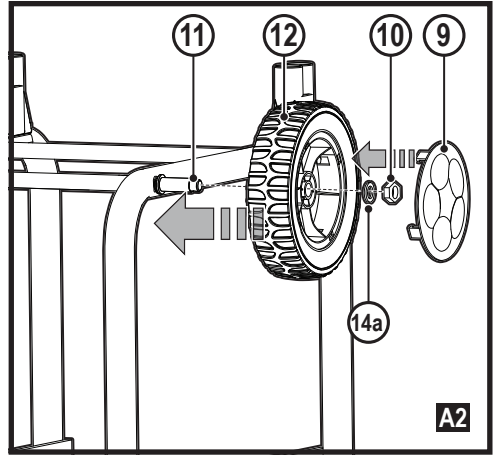
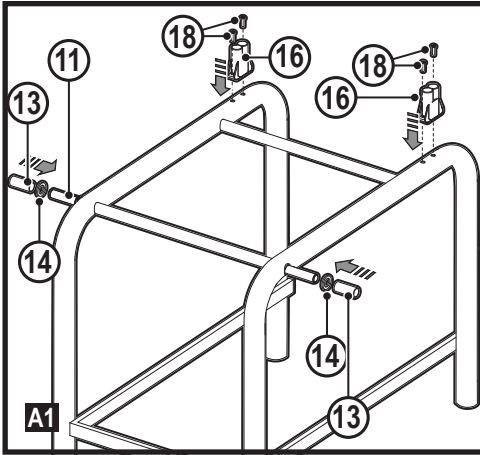
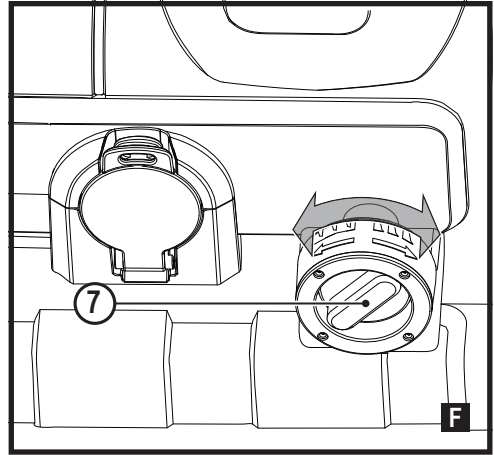
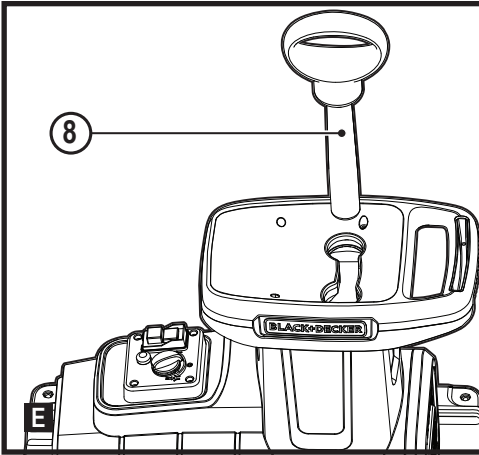


<b>English</b> ( <i>original instructions</i> )	4
<b>Deutsch</b> ( <i>übersetzt von den originalanweisungen</i> )	12
<b>Français</b> ( <i>traduction de la notice d'instructions originale</i> )	22
<b>Italiano</b> ( <i>tradotto dalle istruzioni originali</i> )	30
<b>Nederlands</b> ( <i>vertaald vanuit de originele instructies</i> )	39
<b>Español</b> ( <i>traducido de las instrucciones originales</i> )	48
<b>Português</b> ( <i>traduzido das instruções originais</i> )	57
<b>Svenska</b> ( <i>översatt från de ursprungliga instruktionerna</i> )	66
<b>Norsk</b> ( <i>oversatt fra de originale instruksjonene</i> )	74
<b>Dansk</b> ( <i>oversat fra original brugsvejledning</i> )	81
<b>Suomi</b> ( <i>käännetty alkuperäisestä käyttöohjeesta</i> )	89
<b>Ελληνικά</b> ( <i>μετάφραση από τις πρωτότυπες οδηγίες</i> )	97





### Intended use

Your BLACK+DECKER™ garden shredder BEGAS5800 has been designed for shredding most kitchen and garden waste, including prunings, hedge trimmings, twigs and other organic garden waste as well as paper and cardboard. The shredded waste is ideal for composting purposes or to obtain a smaller volume of waste for easy disposal.

This garden shredder is intended for consumer use only. It is intended for intermittent use: the recommended material feed time is 40% of the total run time of the shredder. Selecting and picking up the material will normally provide a sufficient idle time.

## Safety instructions

**Warning!** When using mains-powered appliances, basic safety precautions, including the following, should always be followed to reduce the risk of fire, electric shock, personal injury.

- ◆ Read all of this manual carefully before using the appliance and material damage.
- ◆ The intended use is described in this manual. The use of any accessory or attachment or the performance of any operation with this appliance other than those recommended in this instruction manual may present a risk of personal injury.

- ◆ Retain this manual for future reference.

## Safe operating practices for powered shredder/chipper

### Training

- ◆ Read the instructions carefully. Be familiar with the controls and the correct use of the machine.
- ◆ Never allow children or people unfamiliar with these instructions to use the machine. Local regulations can restrict the age of the operator.
- ◆ Keep in mind, that the operator or user is responsible for accidents or hazards occurring to other people or their property.

### Preparation

- ◆ Obtain ear protection and safety glasses. Wear them at all times while operating the machine.
- ◆ While operating the machine always wear substantial footwear and long trousers.

Do not operate the machine when barefoot or wearing open sandals. Avoid wearing clothing that is loose fitting or that has hanging cords or ties.

- ◆ Operate the machine in a recommended position and only on a firm, level surface.
- ◆ Do not operate the machine on a paved or gravel surface where ejected material could cause injury.
- ◆ Before using, always visually inspect to see, that the shredding means, shredding means bolts and other fasteners are secure, the housing is undamaged and that guards and screens are in place. Replace worn or damaged components in sets to preserve balance. Replace damaged or unreadable labels.
- ◆ Before use check the supply and extension cord for signs of damage or aging.  
If the cord becomes damaged during use. disconnect the cord from the supply immediately. **DO NOT TOUCH THE CORD BEFORE DISCONNECTING THE SUPPLY.**  
Do not use the machine if the cord is damaged or worn.
- ◆ Never operate the machine while people, especially children, or pets are nearby.

## Operation

- ◆ Before starting the machine, make certain that the feeding chamber is empty.

- ◆ Keep your face and body away from the feed intake opening.
- ◆ Do not allow hands or any other part of the body or clothing inside the feeding chamber, discharge chute, or near any moving part.
- ◆ Keep proper balance and footing at all times. Do not overreach. Never stand at a higher level than the base of the machine when feeding material into it.
- ◆ Always stand clear of the discharge zone when operating this machine.
- ◆ When feeding material into the machine be extremely careful that pieces of metal, rocks, bottles, cans or other foreign objects are not included.
- ◆ If the cutting mechanism strikes any foreign objects or if the machine should start making any unusual noise or vibration, immediately shut off the power source and allow the machine to stop.  
Disconnect the machine from the supply and take the following steps before restarting and operating the machine:
  - ◆ inspect for damage;
  - ◆ replace or repair any damaged parts;
  - ◆ check for and tighten any loose parts.
- ◆ Do not allow processed material to build up in the discharge zone; this may prevent proper discharge and can result in kickback of material through the feed intake opening.

- ◆ If the machine becomes clogged, shut-off the power source and disconnect the machine from supply before cleaning debris.
- ◆ Never operate the machine with defective guards or shields, or without safety devices, for example debris collector in place.
- ◆ Keep the power source clean of debris and other accumulations to prevent damage to the power source or possible fire.
- ◆ Do not transport this machine while the power source is running.
- ◆ Stop the machine, and remove plug from the socket. Make sure that all moving parts have come to a complete stop;
  - ◆ whenever you leave the machine,
  - ◆ before clearing blockages or unclogging chute,
  - ◆ before checking, cleaning or working on the machine.
- ◆ Do not tilt the machine while the power source is running.

## Maintenance and storage

- ◆ When the machine is stopped for servicing, inspection, or storage, or to change an accessory, shut off the power source, disconnect the machine from the supply and make sure that all moving parts are come to a complete stop. Allow the machine to cool before making any inspections, adjustments, etc. Maintain the machine with care and keep it clean.

- ◆ Store the machine in a dry place out of the reach of children.
- ◆ Always allow the machine to cool before storing.
- ◆ When servicing the shredding means be aware that, even though the power source is switched off due to the interlock feature of the guard, the shredding means can still be moved.
- ◆ Replace worn or damaged parts for safety. Use only genuine replacement parts and accessories.
- ◆ Never attempt to override the interlocked feature of the guard.

## Additional safety instructions for units with bagging attachments

- ◆ Switch-off the machine before attaching or removing the bag.

## Recommendation

- ◆ The machine should be supplied via a residual current device (RCD) with a tripping current of not more than 30 mA.

## Safety of others

- ◆ This appliance can be used by children aged from 8 years and above and persons with reduced physical, sensory or mental capabilities or lack of experience and knowledge if they have been given supervision or instruction concerning use of the appliance in a safe way and understand the hazards involved.
- ◆ Children shall not play with the appliance. Cleaning and user maintenance shall not be made by children without supervision.

## Residual risks

Additional residual risks may arise when using the tool which may not be included in the enclosed safety warnings. These risks can arise from misuse, prolonged use etc.

Even with the application of the relevant safety regulations and the implementation of safety devices, certain residual risks can not be avoided. These include:

- ◆ Injuries caused by touching any moving parts.
- ◆ Injuries caused by touching any hot parts.
- ◆ Injuries caused when changing any parts or accessories.
- ◆ Injuries caused by prolonged use of the appliance. When using any appliance for prolonged periods ensure you take regular breaks.
- ◆ Impairment of hearing.
- ◆ Health hazards caused by breathing dust developed when using your tool (example:- working with wood, especially oak, beech and MDF.)
- ◆ If operating the shredder in a damp location is unavoidable, use a residual current device (RCD) with a tripping current of not more than 30 mA. Use of an RCD reduces the risk of electric shock.
- ◆ Never pick up or carry an appliance while the motor is running.

## Guard against electric shock

- ◆ The appliance must be connected to a socket or extension cable containing an earth connection.
- ◆ Electric safety can be further improved by using a high-sensitivity (30 mA / 30 mS) residual current device (RCD).
- ◆ Your appliance is designed for use on AC (mains) electrical supplies only. Do not attempt to use it on any other supply.

## Extension cables

- ◆ When using the appliance outdoors, only use extension cables intended for outdoor use.
- ◆ Up to 25 m 1.5 mm<sup>2</sup> 3-core extension cable can be used without loss of power.
- ◆ Always keep extension cords away from moving hazardous parts to avoid damages to the cords which can lead to contact with live parts.

## Operation

- ◆ Before starting the appliance, look into the feeding chamber to make certain that it is empty.
- ◆ Keep your face and body away from the feed intake opening, long branches may lash out when being pulled in by the cutting gear. Do not allow hands or any other part of the body or clothing inside the feeding chamber, discharge chute, or near any moving part.
- ◆ Keep proper balance and footing at all times. Do not overreach. Never stand at a higher level than the base of the appliance when feeding material into it.

- ◆ Always stand clear of the discharge zone when operating this appliance.
- ◆ When feeding material into the appliance be extremely careful that pieces of metal, rocks, bottles, cans or other foreign objects are not included.
- ◆ If the cutting mechanism strikes any foreign objects or if the appliance starts making any unusual noise or vibration, turn the appliance off, remove the plug from the mains and allow the appliance to stop.
  - ◆ Inspect the appliance for damage.
  - ◆ Check for and tighten any loose parts.
  - ◆ Have any damaged parts replaced or repaired with original parts by an authorised repair agent.
- ◆ Do not allow processed material to build up in the discharge zone; this may prevent proper discharge and can result in kickback of material through the feed intake opening.
- ◆ If the appliance becomes clogged, turn the appliance off, remove the plug from the mains and allow the appliance to stop before clearing debris.
- ◆ Keep all guards and deflectors in place and in good working condition.
- ◆ Do not transport or tilt the appliance whilst in operation.
- ◆ Do not leave the appliance unattended. Whenever you leave the work area, turn the appliance off, remove the plug from the mains and allow the appliance to stop.

Children must be supervised to ensure they do not play with the appliance.

- ◆ Do not tilt the appliance while the power source is running.
- ◆ Always disconnect the supply:
  - ◆ before clearing a blockage;
  - ◆ before checking, cleaning or working on the machine;
  - ◆ after striking a foreign object to inspect the machine for damage;
  - ◆ if the machine starts to vibrate abnormally;

## Maintenance and storage

- ◆ When the appliance is stopped for servicing, inspection, or storage, or to change an accessory, turn the appliance off and remove the plug from the mains.

Make sure that all moving parts have come to a complete stop before making any inspections, adjustments, etc.
- ◆ Store the appliance in a dry and locked location. Children should not have access to stored appliances.

## Labels on appliance

The following pictograms are shown on the tool along with the date code (19) which also includes the year of manufacture, is printed into the housing.

Example:  
2023 XX XX:



**Warning!** Read the manual prior to operation.





Danger - rotating blades. Keep hands and feet out of openings.



Do not use the tool in wet conditions or expose it to rain.



Wear safety glasses or goggles when operating this appliance.



Wear suitable ear protectors when operating this appliance.



Always remove the plug from the socket before cleaning or maintenance. Be careful not to use your appliance if the cable is damaged.



Disconnect the mains plug if the cord becomes damaged or entangled.



Wait until completely stopped before touching.



Beware of flying objects. Keep bystanders away from the cutting area.



Wear gloves when operating this tool.



Do not use as a step.



Directive 2000/14/EC guaranteed sound power.

## Electrical safety



**Warning! Warning!** This product must be earthed. Always check that the power supply corresponds to the voltage on the rating plate.

- ◆ If the supply cord is damaged, it must be replaced by the manufacturer or an authorised BLACK+DECKER Service Centre in order to avoid a hazard.
- ◆ Electric safety can be further improved by using a high sensitivity 30 mA Residual Current Device (RCD).

## Features

This appliance includes some or all of the following features.

1. On/off switch
2. Direction selector
3. Overload protection button
4. Funnel
5. Stand
6. Collection bin
7. Adjustment knob
8. Plunger
9. Appliance inlet (for use on European models only which are not supplied with a power cable)

## Assembly

**Warning!** Before assembly, make sure that the appliance is switched off and unplugged.

### Attaching the wheels to the stand (Fig. A1 & A2)

- ◆ Turn the stand upside down and slide the wheel axle (11) into the axle tube
- ◆ Fit a washer (14) and a wheel bearing (13) onto each end of the axle.
- ◆ Fit the wheels (12) onto the axle (11), making sure to face them as shown in figure A2.
- ◆ Fit a washer (14a) on the outside of each wheel.
- ◆ secure the wheels in place with the nuts (10).
- ◆ Fit the hub caps (9).
- ◆ Secure the feet (16) onto the stand (5) using the screws with washer and lock washer (18) as shown in figure A1

### Attaching the motor unit to the stand (Fig. B)

- ◆ Align the holes on the motor unit with the corresponding holes on the stand (5).

- ◆ Insert the screws with washer and lock washer (18) through motor unit and into the stand.

### Attaching upper funnel (Fig. C1)

- ◆ Align the holes on the upper funnel (4) with the corresponding holes on the motor unit and secure using the screws without washer and lock washer (17)

### Fitting the collection bin (Fig. C1 & C2)

- ◆ Slide the collection bin (6) into the stand (5) ensuring that the safety switch (6a) locks securely.

**Note:** The unit will not operate unless the safety switch (6a) is engaged.

### Use

**Warning!** Let the tool work at its own pace. Do not overload.

- ◆ Do not switch the appliance off before it is completely empty, as it may clog and be difficult to restart.
- ◆ Remove soil and stones from plant roots before shredding.
- ◆ Firmly hold branches when feeding them into the shredder.
- ◆ Use the plunger (8) when required to feed material into the shredder as shown in figure E.

### Switching on and off (Fig. D)

#### Switching on

- ◆ Set the direction selector (2) to left position.
- ◆ Press the I button of the on/off switch.

#### Switching off

- ◆ Press the O button of the on/off switch.

**Warning!** Do not operate the direction selector/switches in sequence using abrupt motions. Sudden switching may generate current spikes potentially damaging the shredder.

### Clearing a blockage

If the appliance becomes jammed by branches which are too thick or hard, or foreign bodies, the shredder will most of the time release itself automatically. The rotating direction will automatically reverse thereby releasing the material back through the top. To return the rotation back to normal, proceed as follows:

- ◆ Switch off and wait until the cutting blade has stopped completely.
- ◆ Switch on again with the appliance set to forward rotation.

When the material is jammed:

- ◆ Switch the appliance off.
- ◆ Set the direction selector (2) to the right position.
- ◆ Press the I button until the blockage is removed.

**Warning!** Branches may be ejected from the inlet funnel when the appliance is running in reverse.

If the blockage has not cleared:

- ◆ Switch off and unplug the appliance.
- ◆ Use a piece of wood or the plunger (8) to loosen the debris within the cutting chamber.

- ◆ Replace the plug in the mains socket and operate the appliance as described above to remove any debris.

**Warning!** Always switch off and unplug the appliance when removing a blockage. Do not attempt to remove blockages by hand through the inlet funnel or outlet opening. Keep your hands clear of the cutting chamber.

### Adjusting the cutter plate (Fig. F)

The cutter plate needs to be adjusted if the appliance fails to shred material.

- ◆ Turn the adjustment knob (7) clockwise half a turn into the cutting position to cut through light material completely.
- ◆ Turn the adjustment knob counter-clockwise half a turn into the crushing position to shred heavy materials. The materials may need to be put through the appliance twice to crush the material before cutting it completely.
- ◆ Make sure the cutting blade does not touch the anvil blade to avoid damage to the appliance.

When the shredded material starts to hang like a chain, adjust as follows:

- ◆ Switch the appliance on.
- ◆ Turn very slowly and slightly the adjustment knob (7) clockwise until you hear a light grinding sound or a small amount of aluminium shavings will fall out of the discharge chute. The shredded material will now be separated.

**Warning!** Ensure the appliance is switched on and working in normal forward direction. Adjusting the cutter plate while the appliance is switched off can lead to serious damage of the appliance.

### Overload protection

This appliance has an overload protection. If the appliance becomes blocked and the motor stalls, the power will automatically be switched off.

- ◆ Wait for about 5 minutes for the protection to reset.
- ◆ Disconnect the appliance from the mains supply.
- ◆ Clear the blockage as described above.
- ◆ Connect the appliance to the mains supply.
- ◆ Press the overload protection button (3).
- ◆ Switch the appliance on.

### Hints for optimum use

- ◆ Shred dry materials last, as this will help to clear moist material from the shredder.
- ◆ Do not allow material to pile up and compost prior to shredding.
- ◆ You may feed shreadings into the shredder for a second time to further reduce their volume.
- ◆ Refer to the chart at the end of this text.

### Maintenance

Your BLACK+DECKER corded/cordless appliance/tool has been designed to operate over a long period of time with a minimum of maintenance.

Continuous satisfactory operation depends upon proper tool/appliance care and regular cleaning.

**Warning!** Before performing any maintenance on corded/cordless power tools:

- ◆ Switch off and unplug the appliance/tool.
- ◆ Regularly clean the ventilation slots in your tool/appliance and charger using a soft brush or dry cloth.
- ◆ Regularly clean the motor housing using a damp cloth. Do not use any abrasive or solvent-based cleaner.

### Mains plug replacement (U.K. & Ireland only)

If a new mains plug needs to be fitted:

- ◆ Safely dispose of the old plug.
- ◆ Connect the brown lead to the live terminal in the new plug.
- ◆ Connect the blue lead to the neutral terminal.

**Warning!** No connection is to be made to the earth terminal. Follow the fitting instructions supplied with good quality plugs. Recommended fuse: 5 A.

### Protecting the environment



Separate collection. Products and batteries marked with this symbol must not be disposed of with normal household waste.

Products and batteries contain materials that can be recovered or recycled, reducing demand for raw materials. Please recycle electrical products and batteries according to local provisions.

Further information is available at [www.2helpU.com](http://www.2helpU.com)

### Technical data

		BEGAS5800
Voltage	V	230
Frequency	Hz	50
Power input	W	2400, or 2800 (P40)
No-load speed (blade)	/min	46
No-load speed (motor)	/min	2850
Max cutting diameter	mm	45
Weight	Kg	29.6

#### Level of sound pressure according to EN 50434:

Emission sound pressure level ( $L_{pA}$ ) 80 dB(A), uncertainty (K) 2.5 dB(A)

Measured sound power level ( $L_{WA}$ ) 93 dB(A), uncertainty (K) 1.7 dB(A)

### EC declaration of conformity

MACHINERY DIRECTIVE



BEGAS5800– Shredder

Black & Decker declares that these products described under "technical data" are in compliance with:

2006/42/EC, EN 60335-1:2012 + A11:2014 + A13:2017+A1:2019+A14:2019+A2:2019+A15:2021; EN 50434:2014

2000/14/EC, Shredder, Annex V

Measured sound power level ( $L_{WA}$ ) 93 dB(A)

Uncertainty (K) 1.7 dB(A)

Guaranteed sound power ( $L_{WA}$ ) 95 dB(A)

These products also comply with Directive 2014/30/EU and 2011/65/EU.

For more information, please contact Black & Decker at the following address or refer to the back of the manual. The undersigned is responsible for compilation of the technical file and makes this declaration on behalf of Black & Decker.

*Patrick Diepenbach*

Patrick Diepenbach  
General Manager, Benelux  
Black & Decker,  
Egide Walschaertsstraat 14-18  
2800 Mechelen, Belgium  
08/11/2023

### Supply of Machinery (Safety) Regulations 2008



BEGAS5800– Shredder

Black & Decker declares that these products described under "technical data" are in compliance with:

The Supply of Machinery (Safety) Regulations, 2008, S.I. 2008/1597 (as amended),

EN 60335-1:2012 + A11:2014 + A13:2017+A1:2019+A14:2019+A2:2019+A15:2021; EN 50434:2014.

The Noise Emission in the Environment by Equipment for use Outdoors Regulations 2001, S.I. 2001/1701 (as amended).

Schedule 8.

$L_{WA}$  (measured sound power level) 93 dB(A), uncertainty (K) = 1.7 dB (A),

$L_{WA}$  (guaranteed sound power) 95 dB(A).

These products conform to the following UK Regulations:

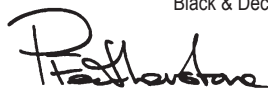
Electromagnetic Compatibility Regulations, 2016,

S.I.2016/1091 (as amended).

The Restriction of the Use of Certain Hazardous Substances in Electrical and Electronic Equipment Regulations 2012, S.I. 2012/3032 (as amended).

For more information, please contact Black & Decker at the following address or refer to the back of the manual.

The undersigned is responsible for compilation of the technical file and makes this declaration on behalf of  
Black & Decker



Paul Featherstone  
Product Director - Outdoor Products Group  
Black & Decker UK, 270 Bath Road, Slough  
Berkshire, SL1 4DX  
United Kingdom  
08/11/2023

## Guarantee

Black & Decker is confident of the quality of its products and offers consumers a 24 month guarantee from the date of purchase.

This guarantee is in addition to and in no way prejudices your statutory rights.

The guarantee is valid within the territories of the Member States of the European Union with European Free Trade Area and the United Kingdom.

To claim on the guarantee, the claim must be in accordance with Black & Decker Terms and Conditions and you will need to submit proof of purchase to the seller or an authorised repair agent.

Terms and conditions of the Black & Decker 2 year guarantee and the location of your nearest authorised repair agent can be obtained on the Internet at [www.2helpU.com](http://www.2helpU.com), or by contacting your local Black & Decker office at the address indicated in this manual.

Please visit our website [www.blackanddecker.co.uk](http://www.blackanddecker.co.uk) to register your new BLACK+DECKER product and receive updates on new products and special offers.

## Verwendungszweck

Ihr BLACK+DECKER™ Gartenhäcksler BEGAS5800 wurde für das Zerkleinern der meisten Küchen- und Gartenabfälle einschließlich Schnittholz, Hecken, Zweige und andere organische Gartenabfälle sowie Papier und Pappe konzipiert. Der zerkleinerte Abfall eignet sich ideal zur Kompostierung oder zur Erzielung eines geringeren Abfallvolumens, das einfach entsorgt werden kann.

Dieser Gartenhäcksler ist nicht für den gewerblichen Einsatz vorgesehen. Er ist für den intermittierenden Einsatz vorgesehen: Die empfohlene Materialzufuhrdauer beträgt 40% der Gesamtlaufzeit des Häckslers. Das Auswählen und Aufnehmen des Materials sorgt normalerweise für eine ausreichende Leerlaufzeit.

## Sicherheitshinweise

**Warnung!** Beachten Sie beim Umgang mit netzstrombetriebenen Geräten stets die grundlegenden Sicherheitshinweise, die im Folgenden beschrieben werden. Dadurch verhindern Sie Brände, Stromschläge und Personenschäden.

- ◆ Lesen Sie diese Anleitung vollständig und aufmerksam durch, bevor Sie das Gerät zum ersten Mal verwenden.
- ◆ Der vorgesehene Verwendungszweck ist in dieser Anleitung beschrieben. Bei Verwendung von Zubehör oder Anbauteilen, die nicht in dieser Anleitung empfohlen werden, sowie bei der Verwendung des Geräts in Abweichung von den in dieser Anleitung beschriebenen Verfahren besteht Verletzungsgefahr.
- ◆ Bewahren Sie diese Anleitung auf.

## Sichere Betriebspraktiken für elektrische Schredder/Häcksler

### Schulung

- ◆ Lesen Sie die Bedienungsanleitung sorgfältig durch.

Machen Sie sich mit den Bedienelementen und dem korrekten Gebrauch des Geräts vertraut.

- ◆ Das Gerät darf nicht von Kindern oder Personen, die die vorliegenden Anleitungen nicht gelesen haben, genutzt werden. Beachten Sie lokale Richtlinien, in denen unter Umständen ein Mindestalter für den Bediener festgelegt ist.
- ◆ Beachten Sie, dass der Bediener bzw. Benutzer für eventuelle Personen- oder Sachschäden verantwortlich ist.

## Vorbereitung

- ◆ Besorgen Sie sich einen Gehörschutz und eine Schutzbrille. Tragen Sie diese immer während des Betriebs des Geräts.
- ◆ Tragen Sie stets feste Schuhe und eine lange Hose, wenn Sie mit dem Gerät arbeiten. Betreiben Sie dieses Gerät nie barfuß oder in offenen Sandalen. Tragen Sie keine lose Kleidung oder Kleidung mit herabhängenden Bändern.
- ◆ Betreiben Sie das Gerät in der empfohlenen Stellung und nur auf einem festen, ebenen Untergrund.
- ◆ Betreiben Sie das Gerät nicht auf einer gepflasterten oder gekiesten Oberfläche, auf der ausgeworfenes Material Verletzungen verursachen kann.

- ◆ Führen Sie vor Gebrauch stets eine Sichtprüfung durch, um sicherzustellen, dass der Häcksler, die Schrauben des Häckslers und andere Befestigungselemente fest sitzen, das Gehäuse unbeschädigt ist und dass alle Schutzvorrichtungen angebracht sind. Ersetzen Sie bei abgenutzten oder beschädigten Bestandteilen den entsprechenden Satz, sodass nicht neue und alte Komponenten gleichzeitig verwendet werden. Ersetzen Sie beschädigte oder unlesbare Aufkleber.
- ◆ Prüfen Sie vor der Inbetriebnahme Netz- und Verlängerungskabel auf Beschädigungen und Verschleiß. Trennen Sie das Gerät sofort vom Stromnetz, wenn das Kabel während des Betriebs beschädigt wird. **BERÜHREN SIE DAS KABEL NICHT, SOLANGE DER STECKER NOCH IN DER NETZSTECKDOSE STECKT.** Verwenden Sie das Gerät nicht, wenn das Kabel beschädigt oder abgenutzt ist.
- ◆ Es sollte stets ein Sicherheitsabstand zu anderen Personen, insbesondere Kindern, und Haustieren eingehalten werden.

## Betrieb

- ◆ Sorgen Sie vor dem Starten des Geräts dafür, dass die Einfüllkammer leer ist.
- ◆ Halten Sie Gesicht und Körper von der Öffnung der Einfüllkammer fern.

- ◆ Lassen Sie keine Hände oder andere Körperteile oder Kleidungsstücke in die Einfüllkammer, den Auswurfschacht oder in die Nähe sich bewegender Teile gelangen.
  - ◆ Halten Sie jederzeit das Gleichgewicht und sorgen Sie für einen sicheren Stand. Vermeiden Sie eine anormale Körperhaltung. Stehen Sie niemals an einer Stelle, die höher als der Boden des Geräts liegt, wenn Sie Material einführen.
  - ◆ Halten Sie sich beim Betrieb des Geräts immer jenseits der Ausgabezone auf.
  - ◆ Seien Sie beim Einführen von Material in das Gerät darauf, dass keine Metallstücke, Steine, Flaschen, Dosen oder andere Fremdkörper hineingelangen.
  - ◆ Wenn der Schneidemechanismus auf Fremdkörper trifft oder ungewöhnliche Geräusche oder Vibrationen auftreten, schalten Sie das Gerät sofort aus und lassen Sie es anhalten.  
Trennen Sie das Gerät von der Stromversorgung und tun Sie vor dem erneuten Starten und Benutzen Folgendes:
    - ◆ auf Schäden prüfen;
    - ◆ beschädigte Teile austauschen oder reparieren;
    - ◆ auf lockere Teile prüfen und diese ggf. festziehen.
  - ◆ Verhindern Sie, dass sich verarbeitetes Material in der Ausgabezone ansammelt.
- Anderenfalls kann die ordnungsgemäße Ausgabe verhindert und Material durch die Einzugsöffnung zurückgeworfen werden.
- ◆ Wenn die Maschine verstopft ist, schalten Sie die Stromquelle ab und trennen Sie die Maschine von der Stromversorgung, bevor Sie die Verstopfung entfernen.
  - ◆ Betreiben Sie das Gerät nie mit defekten oder fehlenden Schutzvorrichtungen, wie z. B. dem Auffangbehälter.
  - ◆ Halten Sie die Stromquelle frei von Schmutz und anderen Ansammlungen, um Schäden an der Elektrik oder einen möglichen Brand zu vermeiden.
  - ◆ Transportieren Sie die Maschine nicht, während die Stromversorgung eingeschaltet ist.
  - ◆ Stoppen Sie vor dem Transport die Maschine und ziehen Sie den Stecker aus der Steckdose. Achten Sie darauf, dass alle beweglichen Teile zum Stillstand gekommen:
    - ◆ wann immer Sie die Maschine verlassen,
    - ◆ bevor Sie Verstopfungen beseitigen oder den Schacht freimachen,
    - ◆ vor dem Überprüfen, Reinigen oder Warten des Geräts.
  - ◆ Kippen Sie die Maschine nicht, während die Stromversorgung eingeschaltet ist.

## Wartung und Aufbewahrung

- ◆ Wenn die Maschine zu Wartungs-, Inspektions- oder Lagerungszwecken oder zum Auswechseln von Zubehör angehalten wird, schalten Sie die Stromquelle aus, trennen Sie die Maschine von der Stromversorgung und stellen Sie sicher, dass alle beweglichen Teile vollständig zum Stillstand gekommen sind. Lassen Sie das Gerät abkühlen, bevor Sie Inspektionsarbeiten, Einstellungen usw. vornehmen. Warten Sie das Gerät sorgfältig und halten Sie sie sauber.
- ◆ Bewahren Sie das Gerät an einem trockenen Ort außerhalb der Reichweite von Kindern auf.
- ◆ Lassen Sie das Gerät vor der Lagerung stets abkühlen.
- ◆ Beachten Sie bei Wartungsarbeiten an dem Häcksler, dass sich die Geräte auch ohne Stromversorgung bewegen können, da das Gerät über eine Verriegelungsfunktion der Schutzvorrichtung verfügt.
- ◆ Ersetzen Sie abgenutzte oder beschädigte Teile, um Ihre Sicherheit nicht zu gefährden. Verwenden Sie nur Originalersatzteile und -zubehör.
- ◆ Versuchen Sie niemals, die Verriegelungsfunktion der Schutzvorrichtung außer Kraft zu setzen.

## Zusätzliche Sicherheitshinweise für Geräte mit Beutelzubehör

- ◆ Schalten Sie das Gerät aus, bevor Sie den Beutel anbringen oder abnehmen.

## Empfehlung

- ◆ Der Häcksler sollte über einen Fehlerstromschutzschalter (RCD) mit einem Auslösestrom von nicht mehr als 30 mA verfügen.

## Sicherheit anderer Personen

- ◆ Dieses Gerät darf von Kindern ab 8 Jahren und Personen mit eingeschränkten körperlichen, sensorischen oder geistigen Fähigkeiten sowie mangelnder Erfahrung und Wissen in Bezug auf dessen Gebrauch bedient werden, wenn sie bei der Verwendung des Geräts beaufsichtigt oder angeleitet werden und die möglichen Gefahren verstehen.
- ◆ Kinder dürfen nicht mit dem Gerät spielen. Reinigung und Wartungsarbeiten dürfen von Kindern nur unter Aufsicht durchgeführt werden.

## Restrisiken

Beim Gebrauch dieses Geräts verbleiben zusätzliche Restrisiken, die möglicherweise nicht in den Sicherheitshinweisen genannt werden. Diese Risiken bestehen beispielsweise bei Missbrauch oder längerem Gebrauch.

Auch bei der Einhaltung der entsprechenden Sicherheitsvorschriften und der Verwendung aller Sicherheitsgeräte bestehen weiterhin bestimmte Restrisiken. Diese sind:

- ◆ Verletzungen, die durch das Berühren von sich bewegenden Teilen verursacht werden.
- ◆ Verletzungen, die durch das Berühren von erhitzten Teilen verursacht werden.
- ◆ Verletzungen, die durch das Austauschen von Teilen oder Zubehör verursacht werden.
- ◆ Verletzungen, die durch längeren Gebrauch des Geräts verursacht werden. Legen Sie bei längerem Gebrauch regelmäßige Pausen ein.
- ◆ Beeinträchtigung des Gehörs.
- ◆ Gesundheitsrisiken durch das Einatmen von Staub beim Verwenden des Geräts (beispielsweise bei Holzarbeiten, insbesondere Eiche, Buche und MDF).
- ◆ Wenn der Häcksler an einem feuchten Ort betrieben wird, sollte ein Fehlerstromschutzschalter (RCD) mit einem Auslösestrom von nicht mehr als 30 mA verwendet werden. Ein Fehlerstromschutzschalter verringert das Risiko eines elektrischen Schlags.
- ◆ Tragen oder transportieren Sie das Gerät niemals, während der Motor läuft.

## Schutz vor einem Stromschlag

- ◆ Das Gerät muss an eine Steckdose oder ein Verlängerungskabel angeschlossen werden, das eine Erdverbindung besitzt.
- ◆ Sicherheit lässt sich durch Verwendung eines Fehlerstromschutzschalters (30 mA / 30 ms) erhöhen.
- ◆ Ihr Gerät ist nur für den Gebrauch an Netzstromversorgungen ausgelegt. Es darf mit keiner anderen Stromversorgungsart verwendet werden.

## Verlängerungskabel

- ◆ Verwenden Sie geeignete Verlängerungskabel, wenn Sie mit dem Gerät im Freien arbeiten.
- ◆ Bei einem 3-adrigen Verlängerungskabel mit 1,5 mm<sup>2</sup> Durchmesser und einer Kabellänge von 25 m treten keine Leistungsverluste auf.
- ◆ Halten Sie Verlängerungskabel immer von beweglichen Teilen fern, um Beschädigungen der Kabel zu vermeiden, die zu einem Kontakt mit unter Spannung stehenden Teilen führen können.

## Betrieb

- ◆ Schauen Sie vor dem Starten des Geräts in die Einfüllkammer, um sicherzustellen, dass sie leer ist.
- ◆ Halten Sie Gesicht und Körper von der Einzugsöffnung fern.



- Lange Äste können herausschlagen, wenn sie vom Schneidwerk eingezogen werden. Lassen Sie keine Hände oder andere Körperteile oder Kleidungsstücke in die Einfüllkammer, den Auswurfschacht oder in die Nähe sich bewegender Teile gelangen.
- ◆ Halten Sie jederzeit das Gleichgewicht und sorgen Sie für einen sicheren Stand. Vermeiden Sie eine anormale Körperhaltung. Stehen Sie niemals an einer Stelle, die höher als der Boden des Geräts liegt, wenn Sie Material einführen.
  - ◆ Halten Sie sich beim Betrieb des Geräts immer jenseits der Ausgabezone auf.
  - ◆ Seien Sie beim Einführen von Material in das Gerät darauf, dass keine Metallstücke, Steine, Flaschen, Dosen oder andere Fremdkörper hineingelangen.
  - ◆ Wenn der Schneidemechanismus auf Fremdkörper trifft oder ungewöhnliche Geräusche oder Vibrationen auftreten, schalten Sie das Gerät aus, ziehen Sie den Stecker aus der Steckdose und lassen Sie das Gerät anhalten.
    - ◆ Überprüfen Sie das Gerät auf Beschädigungen.
    - ◆ Prüfen Sie es auf lockere Teile und ziehen Sie diese ggf. fest.
    - ◆ Lassen Sie beschädigte Teile in einer Vertragswerkstatt durch Originalteile ersetzen oder reparieren.
  - ◆ Verhindern Sie, dass sich verarbeitetes Material in der Ausgabezone ansammelt. Anderenfalls kann die ordnungsgemäße Ausgabe verhindert und Material durch die Einzugsöffnung zurückgeworfen werden.
  - ◆ Wenn im Gerät eine Blockierung entstanden ist, schalten Sie es aus, ziehen Sie den Stecker aus der Steckdose, und lassen Sie das Gerät vollständig anhalten, bevor Sie die Blockierung entfernen.
  - ◆ Lassen Sie immer alle Schutzeinrichtungen und Leitbleche angebracht und in einwandfreiem Zustand.
  - ◆ Transportieren oder kippen Sie das Gerät nicht während des Betriebs.
  - ◆ Lassen Sie das Gerät niemals unbeaufsichtigt. Wenn Sie den Arbeitsbereich verlassen, schalten Sie das Gerät aus, ziehen Sie den Stecker aus der Steckdose und lassen Sie das Gerät vollständig anhalten. Kinder müssen beaufsichtigt werden, um sicherzustellen, dass sie nicht mit dem Gerät spielen.
  - ◆ Kippen Sie das Gerät nicht, während die Stromversorgung eingeschaltet ist.
  - ◆ Trennen Sie immer die Stromversorgung:
    - ◆ bevor Blockaden entfernt werden;
    - ◆ vor dem Überprüfen, Reinigen oder Warten des Geräts;
    - ◆ um das Gerät nach dem Kontakt mit einem Fremdkörper auf Schäden zu prüfen;

- ◆ wenn das Gerät ungewöhnlich stark zu vibrieren beginnt.

## Wartung und Aufbewahrung

- ◆ Schalten Sie das Gerät aus und ziehen Sie den Stecker aus der Steckdose, wenn das Gerät zu Wartungs-, Inspektions- oder Aufbewahrungszwecken oder zum Wechsel von Zubehörteilen angehalten wurde.  
Achten Sie darauf, dass alle beweglichen Teile zum Stillstand gekommen sind, bevor Sie Inspektionsarbeiten, Einstellungen usw. vornehmen.
- ◆ Bewahren Sie das Gerät an einem trockenen und abschließbaren Ort auf. Kinder sollten keinen Zugang zu aufbewahrten Geräten haben.

## Warnsymbole am Gerät

Die folgenden Piktogramme sind auf dem Werkzeug abgebildet, und der Datumscode (19), der auch das Herstellungsjahr enthält, ist in das Gehäuse eingepreßt.

Beispiel:

2023 XX XX:



**Warnung!** Lesen Sie vor dem Betrieb die Bedienungsanleitung durch.



Gefahr - rotierende Messer.  
Halten Sie Hände und Füße von den Öffnungen fern.



Verwenden Sie das Gerät nicht in feuchten Umgebungen, und schützen Sie es vor Regen.



Tragen Sie eine Schutzbrille, wenn Sie mit dem Gerät arbeiten.



Tragen Sie einen geeigneten Gehörschutz, wenn Sie mit dem Gerät arbeiten.



Ziehen Sie stets den Stecker aus der Netzsteckdose, bevor Reinigungs- oder Wartungsarbeiten durchgeführt werden. Verwenden Sie das Gerät auf keinen Fall, wenn das Kabel beschädigt ist.



Ziehen Sie den Netzstecker, wenn das Kabel beschädigt oder verheddert ist.



Warten Sie, bis das Gerät vollständig zum Stillstand gekommen ist.



Achten Sie auf Gegenstände, die eventuell umhergeschleudert werden. Halten Sie andere Personen von der Schneidzone fern.



Tragen Sie Handschuhe, wenn Sie mit dem Gerät arbeiten.



Verwenden Sie es nicht als Trittstufe.



Garantierter Schalldruckpegel, gemessen nach Richtlinie 2000/14/EG.

## Elektrische Sicherheit



**Warnung! Warnung!** Das Gerät muss geerdet werden.

Überprüfen Sie immer, dass die Stromversorgung der Spannung auf dem Typenschild entspricht.

- ◆ Bei einer Beschädigung des Netzkabels muss dieses durch den Hersteller oder eine BLACK+DECKER Vertragswerkstatt ausgetauscht werden, um mögliche Gefahren zu vermeiden.
- ◆ Die elektrische Sicherheit lässt sich durch Verwendung eines Fehlerstromschutzschalters (30 mA) erhöhen.

### Merkmale

Dieses Gerät verfügt über einige oder alle der folgenden Merkmale.

1. Ein-/Aus-Schalter
2. Richtungswähler
3. Überlastungsschutztaaste
4. Trichter
5. Gestell
6. Sammelbehälter
7. Einstellknopf
8. Stange
9. Geräteeingang (nur zur Verwendung bei europäischen Modellen, die ohne Stromkabel geliefert werden)

### Montage

**Warnung!** Vergewissern Sie sich vor der Montage, dass das Gerät ausgeschaltet und von der Stromversorgung getrennt ist.

### Anbringen der Räder am Gestell (Abb. A1 & A2)

- ◆ Drehen Sie das Gestell auf den Kopf und schieben Sie die Radachse (11) in das Achsrohr.
- ◆ Bringen Sie eine Unterlegscheibe (14) und ein Radlager (13) an jedem Ende der Achse an.
- ◆ Bringen Sie die Räder (12) an der Achse (11) an; achten Sie dabei darauf, dass sie wie in Abbildung A2 ausgerichtet sind.
- ◆ Bringen Sie eine Unterlegscheibe (14a) an der Außenseite der Räder an.
- ◆ Befestigen Sie die Räder mit den Muttern (10).

- ◆ Bringen Sie die Radkappen (9) an.
- ◆ Befestigen Sie die FüÙe (16) am Gestell (5), verwenden Sie dazu die Schrauben mit Unterlegscheibe und Sicherungsscheibe (18) und beachten Sie Abbildung A1.

### Anbringen der Motoreinheit am Gestell (Abb. B)

- ◆ Richten Sie die Löcher an der Motoreinheit an den entsprechenden Löchern des Gestells (5) aus.
- ◆ Setzen Sie die Schrauben mit Unterlegscheibe und Sicherungsscheibe (18) durch die Motoreinheit in das Gestell ein.

### Anbringen des oberen Trichters (Abb. C1)

- ◆ Richten Sie die Löcher des oberen Trichters (4) an den entsprechenden Löchern der Motoreinheit aus und sichern Sie sie mit den Schrauben ohne Unterlegscheibe und Sicherungsscheibe (17)

### Montieren des Sammelbehälters (Abb. C1 & C2)

- ◆ Schieben Sie den Sammelbehälter (6) in das Gestell (5) und achten Sie darauf, dass der Sicherheitsschalter (6a) richtig einrastet.

**Hinweis:** Das Gerät funktioniert nur, wenn der Sicherheitsschalter (6a) eingerastet ist.

### Verwendung

**Warnung!** Lassen Sie das Werkzeug die Geschwindigkeit selbst bestimmen. Vermeiden Sie eine Überlastung.

- ◆ Schalten Sie das Gerät erst aus, wenn es vollständig leer ist. Andernfalls kann es zu Blockaden kommen und der Neustart wird schwierig.
- ◆ Entfernen Sie vor dem Zerklleinern Erde und Steine von den Wurzeln der Pflanzen.
- ◆ Halten Sie die Äste gut fest, wenn Sie sie in den Häcksler einführen.
- ◆ Verwenden Sie bei Bedarf den Stopfer (8), um Material wie in Abbildung E gezeigt in den Häcksler einzuführen.

### Ein- und Ausschalten (Abb. D)

#### Einschalten

- ◆ Stellen Sie den Richtungswähler (2) nach links.
- ◆ Drücken Sie die I-Taste des Ein-/Aus-Schalters.

#### Ausschalten

- ◆ Drücken Sie die O-Taste des Ein-/Aus-Schalters.

**Warnung!** Betätigen Sie den Richtungswähler/die Richtungswahlschalter nicht abrupt. Plötzliches Umschalten kann Stromspitzen erzeugen, die den Häcksler beschädigen können.

### Entfernen von Blockaden

Wenn das Gerät durch zu dicke oder zu harte Äste oder durch Fremdkörper blockiert wird, löst der Häcksler die Blockade meistens automatisch von selbst. Die Drehrichtung kehrt dann automatisch um, wodurch das Material wieder durch die Oberseite bewegt und gelöst wird.

Stellen Sie die Drehrichtung wie folgt wieder auf die normale Arbeitsrichtung ein:

- ◆ Schalten Sie das Gerät aus und warten Sie, bis das Schneidmesser vollständig stillsteht.
- ◆ Stellen Sie das Gerät auf Vorwärtsdrehung und schalten Sie es dann wieder ein.

Wenn Material feststeckt:

- ◆ Schalten Sie das Gerät aus.
- ◆ Stellen Sie den Richtungswähler (2) nach rechts.
- ◆ Drücken Sie die I-Taste, bis die Blockade aufgehoben ist.

**Warnung!** Wenn das Gerät rückwärts läuft, können Äste aus dem Zufuhrtrichter ausgeworfen werden.

Wenn die Blockade nicht beseitigt wurde:

- ◆ Schalten Sie das Gerät aus und ziehen Sie den Netzstecker.
- ◆ Verwenden Sie ein Stück Holz oder den Stopfer (8), um das in der Schneidkammer feststeckende Material zu lösen.
- ◆ Stecken Sie den Stecker wieder in die Steckdose und betreiben Sie das Gerät wie oben beschrieben, um das Material zu entfernen.

**Warnung!** Schalten Sie das Gerät immer aus und ziehen Sie den Netzstecker, bevor Sie eine Blockade entfernen.

Versuchen Sie nicht, Blockaden von Hand durch den Zufuhrtrichter oder die Ausgabeöffnung zu entfernen. Halten Sie die Hände von der Schneidkammer fern.

### Justieren der Schneidplatte (Abb. F)

Die Schneidplatte muss justiert werden, wenn das Gerät das Material nicht zerkleinert.

- ◆ Drehen Sie den Einstellknopf (7) eine halbe Umdrehung im Uhrzeigersinn in Richtung Schneidposition, um dünnes Material vollständig zu häckseln.
  - ◆ Drehen Sie den Einstellknopf eine halbe Umdrehung gegen den Uhrzeigersinn in Richtung Quetschposition, um dickes Material zu zerkleinern.
- Das Material muss möglicherweise zweimal in das Gerät eingeführt werden, um das Material zu quetschen, bevor es vollständig gehäckselt wird.
- ◆ Um Schäden am Gerät zu vermeiden, achten Sie darauf, dass das Schneidmesser nicht das Ambossmesser berührt.

Wenn das zerkleinerte Material wie an einer Kette zu hängen beginnt, gehen Sie wie folgt vor:

- ◆ Schalten Sie das Gerät ein.
- ◆ Drehen Sie den Einstellknopf (7) sehr langsam und leicht im Uhrzeigersinn, bis Sie ein leichtes Schleifgeräusch hören oder einige Aluminiumspäne aus dem Auswurfschacht fallen. Das gehäckselte Material wird jetzt richtig getrennt.

**Warnung!** Stellen Sie sicher, dass das Gerät eingeschaltet und auf die normale Vorwärtsrichtung eingestellt ist.

Das Justieren der Schneidplatte bei ausgeschaltetem Gerät kann zu schweren Geräteschäden führen.

### Überlastungsschutz

Dieses Gerät verfügt über einen Überlastungsschutz. Wenn das Gerät blockiert und der Motor stehen bleibt, wird die Stromversorgung automatisch abgeschaltet.

- ◆ Warten Sie etwa 5 Minuten, bis die Schutzfunktion zurückgesetzt wurde.
- ◆ Ziehen Sie den Netzstecker des Geräts aus der Steckdose.
- ◆ Entfernen Sie die Blockade wie oben beschrieben.
- ◆ Schließen Sie das Gerät an die Stromversorgung an.
- ◆ Drücken Sie die Überlastungsschutztaaste (3).
- ◆ Schalten Sie das Gerät ein.

### Hinweise für optimale Arbeitsergebnisse

- ◆ Häckseln Sie trockenes Material zuletzt, da dies dazu beiträgt, feuchtes Material aus dem Gerät zu entfernen.
- ◆ Lassen Sie das Material vor dem Häckseln nicht lange liegen, damit es sich nicht zersetzen kann.
- ◆ Sie können das Material ein zweites Mal in den Häckselr einführen, um das Volumen weiter zu reduzieren.
- ◆ Beachten Sie die Tabelle am Ende dieses Textes.

### Wartung

Ihr BLACK+DECKER Gerät (mit und ohne Netzkabel) wurde im Hinblick auf eine lange Lebensdauer und einen möglichst geringen Wartungsaufwand entwickelt.

Ein dauerhafter, einwandfreier Betrieb setzt eine regelmäßige Pflege und Reinigung voraus.

**Warnung!** Tun Sie vor der Durchführung von Wartungsarbeiten an Elektrowerkzeugen mit/ohne Kabel Folgendes:

- ◆ Schalten Sie das Gerät aus, und ziehen Sie den Netzstecker.
- ◆ Reinigen Sie die Lüftungsschlitze des Geräts und des Ladegeräts regelmäßig mit einer weichen Bürste oder einem trockenen Tuch.
- ◆ Reinigen Sie das Motorgehäuse regelmäßig mit einem feuchten Tuch. Verwenden Sie keine scheuernden Reinigungsmittel oder Reinigungsmittel auf Lösungsmittelbasis.

### Austausch des Netzsteckers (nur GB und Irland)

Wenn ein neuer Netzstecker angebracht werden muss:

- ◆ Entsorgen Sie den alten Stecker auf sachgerechte Weise.
- ◆ Verbinden Sie den braunen Draht mit dem spannungsführenden Anschluss im neuen Stecker.
- ◆ Verbinden Sie den blauen Draht mit dem neutralen Anschluss.

**Warnung!** Stellen Sie keine Verbindung mit dem Erdungsanschluss her. Befolgen Sie die Montageanweisungen, die mit hochwertigen Steckern mitgeliefert werden. Empfohlene Sicherung: 5 A.

## Umweltschutz



Abfalltrennung. Produkte und Akkus mit diesem Symbol dürfen nicht mit dem normalen Hausmüll entsorgt werden.

Produkte und Akkus enthalten Materialien, die wiederverwertet werden können, um den Bedarf an Rohstoffen zu verringern.

Bitte recyceln Sie Elektroprodukte und Akkus gemäß den lokalen Bestimmungen.

Weitere Informationen finden Sie auf [www.2helpU.com](http://www.2helpU.com)

## Technische Daten

		BEGAS5800
Spannung	V	230
Frequenz	Hz	50
Leistungsaufnahme	W	2400 oder 2800 (P40)
Leerlaufdrehzahl (Messer)	/min	46
Leerlaufdrehzahl (Motor)	/min	2850
Max. Schnittdurchmesser	mm	45
Gewicht	kg	29.6

### Schalldruckpegel gemäß EN 50434:

Emissionsschalldruckpegel ( $L_{pA}$ ) 80 dB(A), Unsicherheitsfaktor (K) 2,5 dB(A)

Gemessener Schalleistungspegel ( $L_{wA}$ ) 93 dB(A), Unsicherheitsfaktor (K) 1,7 dB(A)

## EU-Konformitätserklärung MASCHINENRICHTLINIE



BEGAS5800 – Häcksler

Black & Decker erklärt, dass die in den technischen Daten beschriebenen Geräte übereinstimmen mit:

2006/42/EC, EN 60335-1:2012 + A11:2014 + A13:2017 + A1:2019 + A14:2019 + A2:2019 + A15:2021; EN 50434:2014  
2000/14/EC, Häcksler, Anhang V

Gemessener Schalleistungspegel ( $L_{wA}$ ) 93 dB(A)

Unsicherheitsfaktor (K) 1,7 dB(A)

Garantierte Schalleistung ( $L_{wA}$ ) 95 dB(A)

Diese Produkte entsprechen außerdem der Richtlinie  
2014/30/EU und 2011/65/EU.

Weitere Informationen erhalten Sie von Black & Decker unter der folgenden Adresse. Diese befindet sich auch auf der Rückseite dieser Anleitung.

Der Unterzeichnete ist verantwortlich für die Zusammenstellung der technischen Daten und gibt diese Erklärung im Namen von Black & Decker ab.

*Patrick Diepenbach*

Patrick Diepenbach  
General Manager, Benelux  
Black & Decker,  
Egide Walschaertsstraat 14-18  
2800 Mechelen, Belgien  
08.11.2023

## Garantie

Black & Decker vertraut auf die Qualität der eigenen Geräte und bietet dem Käufer eine außergewöhnliche Garantie von 24 Monaten ab Kaufdatum.

Diese Garantie versteht sich unbeschadet der gesetzlichen Gewährleistungsansprüche und schränkt diese keinesfalls ein.

Diese Garantie gilt innerhalb der Staatsgebiete der Mitgliedstaaten der Europäischen Union mit der Europäischen Freihandelszone und innerhalb des Vereinigten Königreichs.

Zur Inanspruchnahme dieser Garantie muss sie den allgemeinen Geschäftsbedingungen von Black & Decker entsprechen und dem Verkäufer bzw. der Vertragswerkstatt ist ein Kaufnachweis vorzulegen.

Die Bedingungen für die 2-jährige Garantie von Black & Decker und den Standort Ihrer nächstgelegenen Vertragswerkstatt finden Sie im Internet unter [www.2helpU.com](http://www.2helpU.com) oder indem Sie sich an die lokale Black & Decker-Niederlassung wenden, deren Adresse Sie in dieser Anleitung finden.

Ihr neues BLACK+DECKER-Produkt können Sie auf unserer Website unter [www.blackanddecker.de](http://www.blackanddecker.de) registrieren. Dort erhalten Sie auch Informationen über neue Produkte und Sonderangebote.

## Utilisation prévue

Votre broyeur de végétaux BLACK+DECKER™ BEGAS5800 a été conçu pour broyer la plupart des déchets de cuisine et de jardin, dont les déchets d'élagage, de taille, les petites branches et les autres déchets organiques ainsi que le papier et le carton. Les déchets broyés représentent un compost idéal ou simplement un moyen simple de réduire la quantité de déchets à éliminer.

Ce broyeur de végétaux est exclusivement réservé à un usage domestique. Il est prévu pour une utilisation par intermittence : la durée recommandée pour l'insertion des matériaux ne doit pas excéder 40% de la durée de fonctionnement totale du broyeur. La durée nécessaire pour faire le tri et récupérer les matériaux à broyer représente généralement une durée de fonctionnement au ralenti suffisante.

## Consignes de sécurité

**Avertissement !** Pour utiliser des appareils alimentés par le réseau électrique, certaines mesures de précaution de base, dont celles qui suivent, doivent toujours être respectées afin de réduire le risque d'incendies, de décharges électriques et de blessures.

- ◆ Lisez attentivement l'intégralité de cette notice avant d'utiliser l'appareil afin d'éviter les dommages.
- ◆ Cette notice décrit la manière d'utiliser l'appareil. L'utilisation d'un accessoire ou d'un équipement autre que ceux recommandés dans cette notice et l'utilisation de cet appareil à d'autres fins que celles recommandées dans cette notice peuvent entraîner un risque de blessures.
- ◆ Conservez cette notice pour pouvoir vous y référer dans le futur.

## Méthodes d'utilisation sûres pour les broyeurs/déchiqueteuses électriques

### Entraînement

- ◆ Lisez attentivement ces instructions. Familiarisez-vous avec les commandes et la bonne façon d'utiliser la machine.
- ◆ Ne laissez jamais les enfants ou toute autre personne ne connaissant pas ces instructions, utiliser la machine. La réglementation locale peut limiter l'âge de l'utilisateur.
- ◆ Gardez à l'esprit que l'utilisateur est responsable des accidents ou des risques subis par les autres ou leurs biens.

### Préparation

- ◆ Procurez-vous des protections auditives et des lunettes de protection. Portez-les systématiquement pour utiliser la machine.
- ◆ Portez toujours des chaussures renforcées et des pantalons à jambes longues pour utiliser la machine. N'utilisez pas la machine si vous portez des sandales ou si vous êtes pieds nus. Évitez de porter des vêtements amples ou avec des cordons ou des liens.
- ◆ Utilisez la machine en adoptant la bonne posture et uniquement sur une surface stable et de niveau.
- ◆ Ne faites pas fonctionner la machine sur des pavés ou des gravillons qui pourraient être éjectés et provoquer des blessures.

- ◆ Avant d'utiliser la machine, inspectez-la visuellement pour vous assurer que les couteaux, les boulons qui fixent les couteaux et les autres fixations sont bien en place, que l'enveloppe de la machine n'est pas endommagée et que les carters de protection et les écrans sont bien en place. Remplacez les composants usés ou endommagés par ensemble afin de conserver un bon équilibrage. Remplacez les étiquettes endommagées ou illisibles.
- ◆ Avant l'utilisation, vérifiez l'état du câble électrique et de la rallonge (dommages ou vieillissement). Si le câble est endommagé pendant l'utilisation, débranchez-le immédiatement. **NE TOUCHEZ PAS LE CÂBLE AVANT QU'IL SOIT DÉBRANCHÉ DU SECTEUR.** N'utilisez pas la machine si le câble est endommagé ou défectueux.
- ◆ Ne faites jamais fonctionner la machine si des personnes, et particulièrement des enfants ou des animaux sont à proximité.

## Utilisation

- ◆ Avant de démarrer la machine, veillez à ce que la trémie soit vide.
- ◆ Gardez votre visage et votre corps loin de l'ouverture de la trémie.
- ◆ Ne laissez pas vos mains ou toute autre partie de votre corps ou de vos vêtements entrer dans la trémie, la goulotte d'éjection ou près des pièces mobiles.
- ◆ Gardez les pieds bien ancrés au sol et conservez votre équilibre en permanence. Ne vous penchez pas. Ne vous tenez jamais plus haut que la base de la machine lorsque vous insérez les matériaux.
- ◆ Restez toujours à l'écart de la zone d'éjection pendant l'utilisation de cet machine.
- ◆ Au moment d'insérer des matériaux dans la machine, soyez extrêmement prudent et vérifiez qu'aucune pièce métallique, pierre, bouteille, cannette ou autre corps étranger n'est présent dans les matériaux.
- ◆ Si le mécanisme de coupe heurte un quelconque corps étranger ou si la machine se met à faire un bruit inhabituel ou qu'elle vibre anormalement, coupez immédiatement l'alimentation électrique et laissez la machine s'arrêter. Débranchez la machine de l'alimentation électrique et respectez les étapes qui suivent avant de redémarrer et d'utiliser la machine :
  - ◆ inspectez les dégâts ;
  - ◆ remplacez ou réparez les pièces endommagées ;
  - ◆ contrôlez que les pièces sont toutes bien serrées.
- ◆ Ne laissez pas le broyat s'accumuler dans la zone d'éjection ; cela pourrait gêner l'éjection et provoquer la remontée du broyat par l'ouverture d'insertion.

- ◆ Si la machine est bloquée, coupez l'alimentation électrique et débranchez la machine avant de retirer les débris.
- ◆ N'utilisez jamais la machine si les carters de protection et les écrans sont défectueux, ou sans dispositif de protection, comme par exemple le récupérateur de broyat.
- ◆ Gardez le câble électrique exempt de débris ou autres dépôts afin d'éviter son endommagement et un éventuel incendie.
- ◆ Ne transportez pas la machine si elle est en marche.
- ◆ Éteignez la machine et débranchez la prise. Assurez-vous que toutes les pièces mobiles sont à l'arrêt ;
  - ◆ dès que vous quittez la machine,
  - ◆ avant de supprimer un bourrage ou de nettoyer la descente,
  - ◆ avant de vérifier, de nettoyer ou d'intervenir sur la machine.
- ◆ Ne penchez pas la machine si elle est en marche.

## Entretien et rangement

- ◆ Pour arrêter la machine pour son entretien, son inspection, pour la ranger ou pour changer un accessoire, éteignez la machine, débranchez-la de l'alimentation électrique et veillez à ce que toutes les pièces mobiles soient à l'arrêt. Laissez la machine refroidir avant de l'inspecter ou de la régler, etc. Entretenez correctement la machine et gardez-la propre.
- ◆ Rangez la machine dans un endroit sec, hors de portée des enfants.

- ◆ Laissez toujours refroidir la machine avant de la ranger.
- ◆ Pour l'entretien des couteaux, n'oubliez pas que même si l'alimentation est coupée à cause du système de verrouillage du carter de protection, les couteaux peuvent encore bouger.
- ◆ Remplacez les pièces usées ou endommagées pour plus de sûreté. N'utilisez que des pièces de rechange et des accessoires d'origine.
- ◆ Ne tentez jamais de contourner le système de verrouillage du carter de protection.

## Consignes de sécurité supplémentaires pour les machines avec des accessoires pour la mise en sac

- ◆ Éteignez la machine avant d'accrocher ou de décrocher le sac.

## Recommandation

- ◆ La machine doit être équipée d'un disjoncteur différentiel à courant résiduel (DDR) dont le courant de déclenchement n'excède pas 30 mA.

## Sécurité des personnes

- ◆ Cet appareil peut être utilisé par des enfants de 8 ans ou plus et par des personnes aux capacités physiques, sensorielles ou intellectuelles réduites ou qui manquent d'expérience et de connaissances s'ils sont supervisés ou ont été formés à l'utilisation sûre de l'appareil et qu'ils sont conscients des risques encourus.



- ◆ Ne laissez pas les enfants jouer avec l'appareil. Le nettoyage et la maintenance à réaliser par l'utilisateur ne doivent pas être entrepris par des enfants sans surveillance.

## Risques résiduels

Certains risques résiduels autres que ceux mentionnés dans les avertissements sur la sécurité peuvent survenir en utilisant l'outil. Ces risques peuvent être dus à une utilisation incorrecte, une utilisation prolongée, etc. Malgré le respect de toutes les réglementations pertinentes sur la sécurité et la mise en œuvre de dispositifs de sécurité, certains risques résiduels ne peuvent pas être évités. Ils comprennent :

- ◆ Les blessures dues au contact avec des pièces en mouvement.
- ◆ Les blessures dues au contact avec des pièces chaudes.
- ◆ Les blessures dues au remplacement de pièces ou d'accessoires.
- ◆ Les blessures dues à l'utilisation prolongée de la machine. Lorsque vous utilisez un appareil quel qu'il soit pendant de longues périodes, veillez à faire des pauses régulières.
- ◆ Les troubles de l'ouïe.
- ◆ Les risques pour la santé dus à l'inhalation des poussières émises pendant l'utilisation de l'outil (exemple : travail avec du bois, surtout le chêne, le hêtre et les panneaux en MDF).

- ◆ Si l'utilisation du broyeur dans un endroit humide est inévitable, utilisez un disjoncteur différentiel à courant résiduel (DDR) dont le courant de déclenchement n'excède pas 30 mA. L'utilisation d'un DDR réduit le risque de décharge électrique.
- ◆ Ne soulevez et ne transportez jamais l'appareil si le moteur est en marche.

## Protection contre les décharges électriques

- ◆ L'appareil doit être raccordé à une prise ou une rallonge reliée à terre.
- ◆ Utilisez un disjoncteur différentiel à courant résiduel (DDR) à grande sensibilité (30 mA / 30 mS) pour améliorer la sécurité électrique.
- ◆ Votre appareil a été conçu pour être exclusivement utilisé avec du courant alternatif (secteur).  
Ne tentez pas de l'utiliser avec une autre alimentation électrique.

## Rallonges

- ◆ Pour utiliser l'appareil à l'extérieur, n'utilisez que des rallonges homologuées pour l'extérieur.
- ◆ Une rallonge de 25 m, 1,5 mm<sup>2</sup> à trois conducteurs peut être utilisée sans perte de puissance.
- ◆ Gardez toujours la rallonge loin des pièces mobiles dangereuses afin d'éviter tout dommage sur les câbles qui pourrait vous exposer à des pièces sous tension.

## Utilisation

- ◆ Avant d'allumer l'appareil, assurez-vous que la trémie est vide.
- ◆ Gardez votre visage et votre corps loin de l'ouverture d'insertion, les longues branches pourraient sinon vous fouetter au moment où elles sont tirées par le mécanisme de coupe. Ne laissez pas vos mains ou toute autre partie de votre corps ou de vos vêtements entrer dans la trémie, la goulotte d'éjection ou près des pièces mobiles.
- ◆ Gardez les pieds bien ancrés au sol et conservez votre équilibre en permanence. Ne vous penchez pas. Ne vous tenez jamais plus haut que la base de l'appareil lorsque vous insérez les matériaux.
- ◆ Restez toujours à l'écart de la zone d'éjection pendant l'utilisation de cet appareil.
- ◆ Au moment d'insérer des matériaux dans l'appareil, soyez extrêmement prudent et vérifiez qu'aucune pièce métallique, pierre, bouteille, cannette ou autre corps étranger n'est présent dans les matériaux.
- ◆ Si le mécanisme de coupe heurte un quelconque corps étranger ou si l'appareil se met à faire un bruit inhabituel ou qu'il vibre anormalement, éteignez-le, débranchez la prise du secteur et laissez l'appareil s'arrêter.
  - ◆ Inspectez l'absence de dommage sur l'appareil.
  - ◆ Contrôlez que les pièces sont toutes bien serrées.
  - ◆ Faites réparer ou remplacer les éventuelles pièces défectueuses ou endommagées par des pièces d'origine et par un réparateur agréé.
- ◆ Ne laissez pas le broyat s'accumuler dans la zone d'éjection ; cela pourrait gêner l'éjection et provoquer la remontée du broyat par l'ouverture d'insertion.
- ◆ Si l'appareil se bouche, éteignez-le, débranchez la prise du secteur et laissez l'appareil s'arrêter avant de retirer les débris.
- ◆ Laissez tous les dispositifs de protection et déflecteurs en place et veillez à les garder en bon état.
- ◆ Ne transportez et n'inclinez pas l'appareil quand il est en marche.
- ◆ Ne laissez pas l'appareil sans surveillance. Lorsque vous quittez la zone de travail, éteignez l'appareil, débranchez la prise du secteur et laissez l'appareil s'arrêter. Les enfants doivent être surveillés afin de garantir qu'ils ne jouent pas avec l'appareil.
- ◆ Ne penchez pas l'appareil quand il est en marche.
- ◆ Débranchez toujours l'alimentation électrique :
  - ◆ avant de supprimer un bourrage ;
  - ◆ avant de vérifier, de nettoyer ou d'intervenir sur la machine ;

- ◆ après avoir heurté un corps étranger pour contrôler l'absence de dommage sur la machine ;
- ◆ si la machine se met à vibrer anormalement ;

## Entretien et rangement

- ◆ Avant d'entretenir, d'inspecter ou de ranger l'appareil ou avant de remplacer un accessoire, éteignez l'appareil et débranchez la prise du secteur.
- Assurez-vous que toutes les pièces mobiles sont immobilisées avant de procéder à une inspection ou à un réglage, etc.
- ◆ Rangez l'appareil dans un endroit sec et verrouillé. Les enfants ne doivent jamais avoir accès aux appareils une fois qu'ils sont rangés.

## Étiquettes apposées sur l'appareil

Les pictogrammes qui suivent figurent sur l'outil avec le code date (19) qui inclut également l'année de fabrication et qui est imprimé sur le boîtier.

Exemple :

2023 XX XX :



**Avertissement !** Lisez la notice avant utilisation.



Danger - Lames rotatives. Gardez vos mains et vos pieds loin des ouvertures.



N'utilisez pas l'outil si les conditions sont humides et ne l'exposez pas à la pluie.



Portez toujours des lunettes de protection pour utiliser cet appareil.



Portez toujours des protections auditives appropriées pour utiliser cet appareil.



Retirez toujours la prise du secteur avant toute opération de nettoyage ou de maintenance. N'utilisez pas votre appareil si son câble est endommagé.



Débranchez la prise électrique si le cordon est endommagé ou emmêlé.



Patientez jusqu'à l'arrêt complet avant de toucher.



Attention aux projections d'objets. Éloignez quiconque de la zone de coupe.



Portez des gants pour utiliser cet outil.



N'utilisez pas l'appareil comme un escabeau.



Puissance sonore garantie conforme à la Directive 2000/14/CE.

## Sécurité électrique



**Avertissement !** Avertissement ! Cet appareil doit être relié à la terre.

Assurez-vous toujours que l'alimentation électrique correspond à la tension mentionnée sur la plaque signalétique.

- ◆ Si le câble d'alimentation est endommagé, il doit être remplacé par le fabricant ou par un centre d'assistance BLACK+DECKER agréé afin d'éviter tout accident.
- ◆ Utilisez un disjoncteur différentiel à courant résiduel (DDR) à grande sensibilité, 30 mA, pour améliorer la sécurité électrique.

### Caractéristiques

Cet appareil présente tout ou partie des caractéristiques suivantes.

1. Interrupteur Marche/Arrêt
2. Sélecteur de sens de rotation
3. Bouton de protection contre les surcharges
4. Trémie
5. Socle
6. Bac de récupération
7. Bouton de réglage
8. Poussoir
9. Entrée de l'appareil (à utiliser sur les modèles européens uniquement qui n'ont pas de câble électrique)

### Assemblage

**Avertissement !** Avant l'assemblage, assurez-vous que l'appareil est éteint et débranché.

#### Fixer les roues sur le socle (Fig. A1 et A2)

- ◆ Retournez le socle et glissez l'axe des roues (11) dans le tube
- ◆ Installez une rondelle (14) et un roulement de roue (13) à chaque extrémité de l'axe.
- ◆ Installez les roues (12) sur l'axe (11) en vous assurant de les orienter comme illustré par la figure A2.
- ◆ Installez une rondelle (14a) à l'extérieur de chaque roue.
- ◆ Fixez les roues en place à l'aide des écrous (10).
- ◆ Installez les cache-moyeux (9).
- ◆ Fixez les pieds (16) sur le socle (5) à l'aide des vis avec rondelles et rondelles de blocage (18), comme illustré par la figure A1

#### Fixer le bloc-moteur sur le socle (Fig. B)

- ◆ Alignez les trous du bloc-moteur avec les trous correspondants sur le socle (5).
- ◆ Insérez les vis avec rondelles et rondelles de blocage (18) à travers le bloc-moteur dans le socle.

#### Fixer la partie haute de la trémie (Fig. C1)

- ◆ Alignez les trous sur la partie haute de la trémie (4) avec les trous correspondants sur le bloc-moteur et fixez l'ensemble avec les vis sans rondelles ni rondelles de blocage (17)

#### Installer le bac de récupération (Fig. C1 et C2)

- ◆ Glissez le bac de récupération (6) dans le socle (5) en vous assurant que l'interrupteur de sécurité (6a) s'enclenche correctement.

**Remarque :** La machine ne fonctionne pas tant que l'interrupteur de sécurité (6a) est enclenché.

### Utilisation

**Avertissement !** Laissez l'outil fonctionner à son propre rythme. Ne poussez pas l'outil au-delà de sa capacité.

- ◆ N'éteignez pas l'appareil avant qu'il soit complètement vide afin d'éviter de le boucher ce qui rendrait difficile son redémarrage.
- ◆ Retirez toute la terre et les pierres des racines des plantes avant de commencer le broyage.
- ◆ Tenez fermement les branches lorsque vous les insérez dans le broyeur.
- ◆ Utilisez le poussoir (8) si nécessaire pour insérer les matériaux dans le broyeur, comme illustré par la figure E.

#### Mettre la machine en marche et l'éteindre (Fig. D)

##### Mise en marche

- ◆ Placez le sélecteur de sens de rotation (2) à gauche.
- ◆ Appuyez sur le bouton I de l'interrupteur Marche/Arrêt.

##### Extinction

- ◆ Appuyez sur le bouton O de l'interrupteur Marche/Arrêt.

**Avertissement !** N'actionnez pas le sélecteur de sens de rotation/les interrupteurs avec des mouvements brusques. Un actionnement soudain peut générer des crêtes de courant qui peuvent endommager le broyeur.

#### Pour supprimer un bourrage

Si l'appareil est bloqué par des branches trop larges ou trop dures ou par des corps étrangers, le broyeur les libère généralement automatiquement. Le sens de rotation s'inverse automatiquement pour libérer les matériaux par le haut. Pour revenir au sens de rotation normal, procédez comme suit :

- ◆ Éteignez l'appareil et attendez que la lame soit complètement immobilisée.
  - ◆ Rallumez l'appareil réglé sur le sens de rotation avant.
- Si les matériaux sont coincés :
- ◆ Éteignez l'appareil.
  - ◆ Placez le sélecteur de sens de rotation (2) à droite.
  - ◆ Appuyez sur le bouton I jusqu'à ce que le bourrage soit supprimé.

**Avertissement !** Les branches peuvent être éjectées par la trémie lorsque l'appareil fonctionne en sens inverse. Si le bourrage n'a pas été supprimé :

- ◆ Arrêtez l'appareil, puis débranchez-le .
- ◆ Utilisez un bout de bois ou le poussoir (8) pour libérer les débris dans la chambre de broyage.
- ◆ Rebranchez la prise et faites fonctionner l'appareil de la façon décrite ci-dessus pour supprimer les débris.

**Avertissement !** Éteignez et débranchez toujours l'appareil pour supprimer un bourrage. Ne tentez pas de supprimer le bourrage en passant la main dans la trémie ou l'ouverture d'éjection. Gardez vos mains loin de la chambre de broyage.

### Réglage du plateau de coupe (Fig. F)

Le plateau de coupe doit être réglé si l'appareil ne parvient pas à broyer les matériaux.

- ◆ Tournez le bouton de réglage (7) d'un demi-tour dans le sens des aiguilles d'une montre jusqu'à la position Coupe pour broyer complètement les petits végétaux.
- ◆ Tournez le bouton de réglage d'un demi-tour dans le sens inverse des aiguilles d'une montre jusqu'à la position Écrasement pour broyer les végétaux plus volumineux. Les végétaux peuvent avoir besoin d'être passés deux fois dans l'appareil pour les écraser avant de les broyer complètement.
- ◆ Assurez-vous que la lame ne touche pas la contre lame pour ne pas endommager l'appareil.

Lorsque les matériaux broyés commencent à pendre comme une chaîne, réglez comme suit :

- ◆ Allumez l'appareil.
- ◆ Tournez très lentement et très légèrement le bouton de réglage (7) dans le sens des aiguilles d'une montre jusqu'à ce que vous entendiez un léger grincement ou qu'une petite quantité de copeaux d'aluminium tombe de la goulotte d'éjection. Les matériaux broyés sont alors séparés.

**Avertissement !** Assurez-vous que l'appareil est allumé et qu'il fonctionne dans le sens de rotation avant normal. Le réglage du plateau de coupe alors que l'appareil est éteint peut conduire à l'endommagement grave de l'appareil.

### Protection contre les surcharges

Cet appareil intègre une protection contre les surcharges. Si l'appareil se bloque et que le moteur cale, l'alimentation est automatiquement coupée.

- ◆ Attendez 5 minutes environ que la protection soit réinitialisée.
- ◆ Débranchez l'appareil du secteur.
- ◆ Supprimez le bourrage comme décrit plus haut.
- ◆ Branchez l'appareil au secteur.
- ◆ Appuyez sur le bouton de protection contre les surcharges (3).
- ◆ Allumez l'appareil.

### Conseils pour une utilisation optimale

- ◆ Broyez les matériaux secs en dernier pour aider à supprimer les matériaux humides du broyeur.

- ◆ N'empilez pas les végétaux et ne les laissez pas composer avant de les broyer.
- ◆ Vous pouvez passer les matériaux deux fois dans le broyeur pour en réduire le volume.
- ◆ Consultez le graphique à la fin de ce texte.

### Maintenance

Votre appareil/outil sans fil/avec fil BLACK+DECKER a été conçu pour fonctionner longtemps avec un minimum d'entretien.

Son fonctionnement continu et satisfaisant dépend de son bon entretien et de son nettoyage régulier.

**Avertissement !** Avant toute opération de maintenance sur des outils électriques avec ou sans fil :

- ◆ Éteignez et débranchez l'appareil/outil.
- ◆ Nettoyez régulièrement les aérations de votre outil/appareil à l'aide d'une brosse souple ou d'un chiffon sec.
- ◆ Nettoyez régulièrement le bloc-moteur à l'aide d'un chiffon humide. N'utilisez pas de détergents abrasifs ou à base de solvants.

### Remplacer la prise de courant (RU et Irlande uniquement)

Si une nouvelle prise électrique doit être installée :

- ◆ Jetez l'ancienne prise de façon appropriée.
- ◆ Raccordez le fil marron à la phase de la nouvelle prise.
- ◆ Raccordez le fil bleu au neutre.

**Avertissement !** Aucun branchement ne doit être fait à la borne de terre. Respectez les instructions d'installation fournies avec les prises de bonne qualité. Fusible recommandé : 5 A.

### Protection de l'environnement



Tri sélectif. Les produits et piles/batteries marqués de ce symbole ne doivent pas être jetés avec les déchets ménagers.

Les produits et batteries contiennent des matières qui peuvent être récupérées et recyclées afin de réduire la demande en matières premières. Veillez à recycler les produits électriques et les piles/batteries conformément aux prescriptions locales en vigueur.

Pour plus d'informations, consultez le site [www.2helpU.com](http://www.2helpU.com)

### Caractéristiques techniques

		BEGAS5800
Tension	V	230
Fréquence	Hz	50
Puissance absorbée	A	2400 ou 2800 (P40)
Vitesse à vide (lame)	/min	46
Vitesse à vide (moteur)	/min	2850
Diamètre de coupe maxi	mm	45
Poids	Kg	29.6

Niveau de pression sonore selon la norme EN 50434 :
Pression sonore émise ( $L_{pA}$ ) 80 dB(A), incertitude (K) 2,5 dB(A)
Niveau de puissance sonore mesuré ( $L_{WA}$ ) 93 dB(A), incertitude (K) 1,7 dB(A)

## Déclaration de conformité CE

### DIRECTIVES MACHINES



BEGAS5800 – Broyeur

Black & Decker certifie que les produits décrits dans les "Caractéristiques techniques" sont en conformité avec : 2006/42/CE, EN 60335-1:2012 + A11:2014 + A13:2017+A1:2019+A14:2019+A2:2019+A15:2021; EN 50434:2014

2000/14/CE, Broyeur, Annexe V

Niveau de puissance sonore mesuré ( $L_{WA}$ ) 93 dB(A)  
Incertaince (K) 1,7 dB(A)

Puissance sonore garantie ( $L_{WA}$ ) 95 dB(A)

Ces produits sont également conformes aux Directives 2014/30/UE et 2011/65/UE.

Pour plus de précisions, veuillez contacter Black & Decker à l'adresse qui suit ou consulter le dos de la notice.

Le soussigné est responsable de la compilation du dossier technique il fait cette déclaration au nom de Black & Decker.

*Patrick Diepenbach*

Patrick Diepenbach  
General Manager, Benelux  
Black & Decker,  
Egide Walschaertsstraat 14-18  
2800 Mechelen, Belgique  
11/08/2023

## Garantie

Black & Decker est sûr de la qualité de ses produits et offre une garantie de 24 mois à ses clients, à partir de la date d'achat. Cette garantie s'ajoute à vos droits légaux auxquels elle ne porte aucunement préjudice.

Cette garantie est valable au sein des territoires des états membres de l'Union européenne, de la zone européenne de libre-échange et du Royaume-Uni.

Pour prétendre à la garantie, la réclamation doit être en conformité avec les conditions générales de Black & Decker et vous devez fournir une preuve d'achat au vendeur ou au réparateur agréé.

Les conditions générales de la garantie de 2 ans Black & Decker ainsi que l'adresse du réparateur agréé le plus proche sont disponibles sur le site Internet [www.2helpU.com](http://www.2helpU.com) ou en contactant votre agence Black & Decker locale à l'adresse indiquée dans la présente notice.

Consultez notre site Internet [www.blackanddecker.co.uk](http://www.blackanddecker.co.uk) pour enregistrer votre nouveau produit BLACK+DECKER et pour être tenu informé des nouveautés et des offres spéciales.

## Usò previsto

Il biotrituratore BLACK+DECKER™ BEGAS5800 è stato progettato per tritare i rifiuti alimentari e di giardinaggio, quali scarti di potatura, tagli di siepi, ramoscelli e altri rifiuti organici di giardinaggio, come carta e cartone. Questi resti triturati sono ottimi per il compostaggio o per ridurre il volume dei rifiuti, agevolandone lo smaltimento.

Questo biotrituratore è destinato esclusivamente all'uso privato. Esso è concepito per essere usato in modo intermittente: il tempo di carico del materiale raccomandato è il 40% del tempo di funzionamento totale del biotrituratore. Di norma la scelta e il prelievo del materiale assicurano un periodo di fermo macchina sufficiente.

## Istruzioni di sicurezza

**Avvertenza!** Quando si usano elettrodomestici con filo da collegare alla rete elettrica, osservare sempre le normali precauzioni di sicurezza per ridurre il rischio di incendio, scossa elettrica e lesioni alle persone.

- ◆ Leggere attentamente tutto il contenuto di questo manuale prima di usare l'apparecchio.
- ◆ L'uso previsto è descritto in questo manuale. L'impiego di accessori o dotazioni diversi o l'impiego di questo apparecchio per scopi diversi da quelli consigliati in questo manuale di istruzioni possono comportare il rischio di lesioni personali e/o danni materiali.
- ◆ Conservare questo manuale per riferimenti futuri.

## Pratiche per un utilizzo sicuro del biotrituratore/cippatore elettrico

### Addestramento

- ◆ Leggere attentamente le istruzioni. Acquisire dimestichezza con i comandi e l'uso corretto della macchina.

- ◆ Vietare l'uso dell'apparecchio a bambini e adulti che non abbiano letto queste istruzioni. Le normative vigenti a livello locale potrebbero imporre un limite di età per l'operatore.
- ◆ Si ricordi che l'operatore è responsabile di eventuali rischi o incidenti a carico di altre persone o cose di loro proprietà.

## Preparazione

- ◆ Procurarsi dispositivi di protezione per l'udito e occhiali di sicurezza e indossarli sempre quando si utilizza la macchina.
- ◆ Durante l'uso della macchina, indossare sempre calzature da lavoro robuste e calzoni lunghi.  
Non usare la macchina a piedi nudi o quando si indossano dei sandali aperti. Evitare di indossare capi di abbigliamento non aderenti al corpo o con cordoncini pendenti o lacci.
- ◆ Azionare la macchina in una posizione consigliata e solo su una superficie stabile e orizzontale.
- ◆ Non utilizzare la macchina su una superficie pavimentata o coperta di ghiaia, in quanto l'eventuale espulsione di materiale potrebbe causare lesioni alle persone.
- ◆ Prima dell'uso, controllare sempre a vista che i meccanismi di triturazione, i bulloni dei meccanismi di triturazione e gli altri dispositivi di fissaggio siano ben saldi, che il corpo macchina non sia danneggiato e che le protezioni e le schermature siano al loro posto.

Sostituire i componenti usurati o danneggiati in serie per mantenere il bilanciamento della macchina.  
Sostituire le etichette danneggiate o illeggibili.

- ◆ Prima dell'uso, controllare che il cavo di alimentazione e il cavo di prolunga non presentino segni di danneggiamento o invecchiamento. Se il cavo di alimentazione dovesse subire danni durante l'uso, scollegarlo immediatamente dalla presa di corrente. **NON TOCCARE IL CAVO DI ALIMENTAZIONE PRIMA DI SCOLLEGARLO DALLA PRESA DI CORRENTE.** Non utilizzare la macchina se il cavo di alimentazione è danneggiato o usurato.
- ◆ Non usare mai la macchina in presenza di persone (in particolare bambini) o animali domestici nelle vicinanze.

## Utilizzo

- ◆ Prima di avviare la macchina accertarsi che la camera di alimentazione sia vuota.
- ◆ Mantenere il viso e il corpo a distanza dalla bocca di alimentazione.
- ◆ Non mettere le mani o altre parti del corpo all'interno della camera di alimentazione e dello scivolo di scarico, o in prossimità di parti in movimento.
- ◆ Mantenere sempre un equilibrio stabile e una posizione di lavoro sicura. Non sporgersi troppo.

Mentre si carica il materiale all'interno della macchina non posizionarsi mai a un livello più alto rispetto alla base della stessa.

- ◆ Rimanere sempre lontano dalla zona di scarico quando la macchina è in funzione.
- ◆ Mentre si carica il materiale all'interno della macchina prestare estrema attenzione a che non siano presenti pezzi di metallo, sassi, bottiglie, lattine o altri oggetti estranei.
- ◆ Se il meccanismo di triturazione dovesse colpire qualche oggetto estraneo o se la macchina dovesse iniziare a produrre rumori o vibrazioni insoliti, disattivare immediatamente la corrente elettrica e attendere che la macchina si fermi.  
Prima di rimettere in funzione la macchina, scollegarla dalla presa di corrente ed eseguire le seguenti operazioni:
  - ◆ verificare che la macchina non presenti danni;
  - ◆ sostituire o riparare eventuali parti danneggiate;
  - ◆ verificare se vi siano parti allentate e, in caso affermativo, stringerle.
- ◆ Non lasciare che il materiale tritato si accumuli nella zona di scarico; ciò potrebbe creare problemi durante lo scarico e il verificarsi di un contraccolpo del materiale attraverso la bocca di alimentazione.

- ◆ In caso di intasamento della macchina disattivare la corrente elettrica e scollegare la macchina dalla presa corrente prima di rimuovere i detriti.
- ◆ Non far mai funzionare la macchina in presenza di protezioni o schermature difettose o in assenza di esse, ad esempio senza il sacco di raccolta.
- ◆ Mantenere la fonte di alimentazione libera da residui e accumuli di materiale per evitare danni e rischi di incendio.
- ◆ Non trasportare la macchina quando la fonte di alimentazione è attiva.
- ◆ Spegnerla e staccare la spina dalla presa di corrente. Assicurarsi che tutte le parti mobili siano completamente ferme:
  - ◆ ogni volta che si lascia incustodita la macchina;
  - ◆ prima di rimuovere intasamenti di materiale o disostruire lo scivolo di scarico;
  - ◆ prima di effettuare controlli, operazioni di pulizia o interventi sulla macchina.
- ◆ Non inclinare la macchina quando la fonte di alimentazione è attiva.

## **Manutenzione e conservazione**

- ◆ Quando la macchina è ferma per la manutenzione, l'ispezione, il deposito o la sostituzione di un accessorio, spegnerla, scollegare la macchina dalla rete elettrica e assicurarsi che tutte le parti in movimento siano completamente ferme.



Lasciare raffreddare la macchina prima di effettuare qualsiasi ispezione, regolazione, ecc. Mantenere la macchina con cura e tenerla pulita.

- ◆ Conservare la macchina in un luogo asciutto, lontano dalla portata dei bambini.
- ◆ Attendere sempre che la macchina si raffreddi prima di riparla.
- ◆ Quando si esegue la manutenzione del dispositivo di triturazione, tenere presente che, anche se la macchina è spenta per effetto della funzione di interblocco di protezione, il dispositivo di triturazione potrebbe comunque muoversi.
- ◆ Sostituire le parti usurate o danneggiate per garantire la sicurezza. Utilizzare esclusivamente ricambi e accessori originali.
- ◆ Non tentare mai di bypassare la funzione di interblocco di protezione.

### **Istruzioni di sicurezza aggiuntive per i modelli dotati di sacco di raccolta del materiale triturato**

- ◆ Spegnerne la macchina prima di montare e rimuovere il sacco di raccolta.

### **Consiglio**

- ◆ Collegare la macchina unicamente a una rete elettrica protetta da un interruttore differenziale salvavita (RCD) con una soglia di intervento di non più di 30 mA.

### **Sicurezza altrui**

- ◆ Questo apparecchio può essere usato da bambini dagli 8 anni in su e da persone con capacità fisiche, sensoriali o mentali ridotte o con mancanza di esperienza, purché siano sorvegliati od opportunamente istruiti su come utilizzarlo in sicurezza e comprendano i pericoli inerenti.
- ◆ I bambini non devono giocare con l'apparecchio. Gli interventi di pulizia e di manutenzione previsti da parte dell'utilizzatore non devono essere eseguiti da bambini non sorvegliati.

### **Rischi residui**

L'uso dell'apparecchio potrebbe comportare rischi residui non necessariamente riportati nelle avvertenze di sicurezza allegate. Tali rischi possono sorgere a seguito di un uso prolungato o improprio, ecc. Malgrado il rispetto delle norme di sicurezza pertinenti e l'implementazione di dispositivi di sicurezza, alcuni rischi residui non possono essere evitati. Essi includono:

- ◆ lesioni personali causate dal contatto con parti in movimento;
- ◆ lesioni personali causate dal contatto con parti roventi;
- ◆ lesioni personali subite durante la sostituzione di parti o accessori;
- ◆ lesioni personali dovute all'impiego prolungato dell'apparecchio (quando si usa l'apparecchio per lunghi periodi, accertarsi di fare regolarmente delle pause);

- ◆ menomazioni uditive;
- ◆ rischi per la salute causati dall'aspirazione di polveri generate dall'utilizzo dell'apparecchio (ad esempio quando si lavora con il legno, in modo particolare quello di quercia o faggio o l'MDF).
- ◆ Se l'uso del biotrituratore in un luogo umido è inevitabile, utilizzare un interruttore differenziale (RCD) con una soglia di intervento non superiore ai 30 mA.  
L'uso di un RCD riduce il rischio di scosse elettriche.
- ◆ Non sollevare da terra né trasportare mai la macchina con il motore in funzione.

## Fare attenzione alle scosse elettriche

- ◆ L'apparecchio deve essere collegato a una presa elettrica o a un cavo di prolunga provvisti di messa a terra.
- ◆ La sicurezza elettrica può essere ulteriormente aumentata utilizzando un interruttore differenziale (RCD) ad alta sensibilità (30 mA / 30 mS).
- ◆ Questo apparecchio è concepito esclusivamente per essere alimentato tramite corrente elettrica AC (rete elettrica).  
Non tentare di utilizzarlo con una tensione diversa.

## Cavi di prolunga

- ◆ Quando si usa l'apparecchio all'esterno, usare solo cavi di prolunga idonei a tale impiego.

- ◆ È possibile usare un cavo a 3 conduttori di 1,5 mm<sup>2</sup> lungo fino a 25 m senza che si verifichi una perdita di potenza.
- ◆ Tenere sempre i cavi di prolunga lontano dalle parti in movimento pericolose per evitare di danneggiare i cavi, causando il possibile contatto con parti sotto tensione.

## Utilizzo

- ◆ Prima di avviare l'apparecchio controllare all'interno della camera di alimentazione per accertarsi che sia vuota.
- ◆ Tenere il viso e il corpo lontano dalla bocca di alimentazione. Eventuali rami lunghi potrebbero essere scagliati fuori mentre vengono trascinati dall'ingranaggio di taglio. Non mettere le mani o altre parti del corpo all'interno della camera di alimentazione e dello scivolo di scarico, o in prossimità di parti in movimento.
- ◆ Mantenere sempre un equilibrio stabile e una posizione di lavoro sicura. Non sporgersi troppo. Mentre si carica il materiale all'interno dell'apparecchio non posizionarsi mai a un livello più alto rispetto alla base dello stesso.
- ◆ Rimanere sempre lontano dalla zona di scarico quando l'apparecchio è in funzione.

- ◆ Mentre si carica il materiale all'interno dell'apparecchio prestare estrema attenzione a che non siano presenti pezzi di metallo, sassi, bottiglie, lattine o altri oggetti estranei.
- ◆ Se il meccanismo di triturazione dovesse colpire qualche oggetto estraneo o se la macchina dovesse iniziare a produrre rumori o vibrazioni insolite, disattivare immediatamente la corrente elettrica e attendere che l'apparecchio si fermi.
  - ◆ Verificare che l'apparecchio non presenti danni.
  - ◆ Verificare se vi siano parti allentate e, in caso affermativo, stringerle.
  - ◆ Far riparare o sostituire le parti danneggiate o difettose da un tecnico autorizzato.
- ◆ Non lasciare che il materiale tritato si accumuli nella zona di scarico; ciò potrebbe creare problemi durante lo scarico e il verificarsi di un contraccolpo del materiale attraverso la bocca di alimentazione.
- ◆ In caso di intasamento dell'apparecchio scollegarlo dalla presa di corrente e attendere che si fermi prima di rimuovere i detriti.
- ◆ Mantenere tutte le protezioni e i deflettori montati e in buone condizioni operative.
- ◆ Non trasportare né inclinare l'apparecchio mentre è in funzione.
- ◆ Non lasciare l'apparecchio incustodito.

Ogniqualevolta si lascia l'apparecchio incustodito, spegnerlo, scollegare la spina dalla presa di corrente e attendere che si arresti completamente.

Controllare che i bambini non giochino con l'apparecchio.

- ◆ Non inclinare l'apparecchio quando è acceso.
- ◆ Scollegare sempre l'alimentazione elettrica:
  - ◆ prima di eliminare un intasamento;
  - ◆ prima di controllare, pulire o compiere interventi sulla macchina;
  - ◆ dopo avere colpito un oggetto estraneo per verificare che la macchina non presenti danni;
  - ◆ se la macchina inizia a vibrare in modo anomalo.

## Manutenzione e conservazione

- ◆ Quando viene fermato l'apparecchio per eseguire un'ispezione o un intervento di manutenzione, per riporlo oppure per cambiare un accessorio, spegnerlo e staccare la spina dalla presa di corrente. Prima di effettuare qualsiasi ispezione, regolazione, ecc., assicurarsi che tutte le parti mobili siano completamente ferme.
- ◆ Conservare l'apparecchio in un luogo asciutto. Non riporre l'apparecchio in un luogo accessibile a bambini.

## Etichette sull'apparecchio

Sull'apparecchio sono riportati i seguenti pittogrammi e il codice della data (19), comprendente anche l'anno di produzione, è stampato sul corpo macchina.

Esempio:

2023 XX XX:



**Avvertenza!** Prima dell'uso leggere il manuale.



Pericolo - lame rotanti. Tenere mani e piedi fuori dalle aperture.



Non usare l'apparecchio in ambienti soggetti a umidità e non esporlo alla pioggia.



Indossare occhiali di sicurezza quando si usa questo apparecchio.



Indossare dispositivi di protezione per l'udito idonei quando si usa questo apparecchio.



Disinserire sempre la spina dalla presa di corrente prima di effettuare qualsiasi operazione di pulizia o manutenzione. Fare attenzione a non adoperare l'apparecchio se il cavo di alimentazione è danneggiato.



Scollegare la spina dalla presa di corrente se il cavo di alimentazione ha subito danni o è attorcigliato.



Prima di toccare attendere l'arresto completo.



Prestare attenzione agli oggetti scagliati in aria. Mantenere le persone eventualmente presenti a distanza dalla zona di taglio.



Indossare dei guanti da lavoro quando si usa l'apparecchio.



Da non usare come scalino.



Potenza sonora garantita ai sensi della Direttiva 2000/14/CE.

## Sicurezza elettrica



**Avvertenza! Avvertenza!** Questo prodotto deve essere collegato a terra. La fornitura del voltaggio e della corrente deve essere conforme alle specifiche indicate sulla targa.

- ◆ Per prevenire pericoli, i cavi di alimentazione danneggiati devono essere sostituiti dal produttore o da un centro di assistenza BLACK+DECKER autorizzato.
- ◆ La sicurezza elettrica può essere ulteriormente aumentata utilizzando un interruttore differenziale salvavita (RCD) ad alta sensibilità (30 mA).

## Caratteristiche

Questo apparecchio presenta alcune o tutte le seguenti caratteristiche.

1. Interruttore di accensione/spengimento
2. Selettore della direzione di rotazione
3. Tasto protezione da sovraccarico
4. Tramoggia
5. Supporto
6. Contenitore di raccolta
7. Manopola di regolazione

8. Asta di spinta
9. Ingresso apparecchio (solo per i modelli europei non provvisti di cavo di alimentazione)

## Assemblaggio

**Avvertenza!** Prima di assemblare l'apparecchio assicurarsi che sia spento e scollegato dalla rete elettrica.

### Montaggio delle ruote al supporto (Fig. A1 e A2)

- ◆ Capovolgere il supporto e fare scorrere l'asse delle ruote (11) nel rispettivo tubo.
- ◆ Inserire una rondella (14) e un cuscinetto (13) su ciascuna estremità dell'asse.
- ◆ Montare le ruote (12) sull'asse (11), assicurandosi che siano rivolte nella direzione mostrata nella Figura A2.
- ◆ Inserire una rondella (14a) sulla parte esterna di ogni ruota.
- ◆ Fissare le ruote in posizione con i dadi (10).
- ◆ Montare i cappucci dei mozzi ruota (9).
- ◆ Fissare i piedi (16) sul supporto (5) utilizzando le viti provviste di rondella e rosetta di sicurezza (18), come illustrato nella Figura A1.

### Fissaggio del corpo motore al supporto (Fig. B)

- ◆ Allineare i fori sul corpo motore ai fori corrispondenti sul supporto (5).
- ◆ Inserire le viti provviste di rondella e rosetta di sicurezza (18) attraverso il corpo motore e nel supporto.

### Montaggio della tramoggia superiore (Fig. C1)

- ◆ Allineare i fori sulla tramoggia superiore (4) ai fori corrispondenti sul corpo motore e fissare la tramoggia superiore con le viti non provviste di rondella e rosetta di sicurezza (17).

### Montaggio del contenitore di raccolta (Figg. C1 e C2)

- ◆ Fare scorrere il contenitore di raccolta (6) nel supporto (5), assicurandosi che l'interruttore di sicurezza (6a) si blocchi saldamente.

**Nota:** La macchina non entrerà in funzione se l'interruttore di sicurezza (6a) non sarà attivato.

## Uso

**Avvertenza!** Lasciare che l'apparecchio funzioni al proprio ritmo. Non sovraccaricarlo.

- ◆ Spegnerne l'apparecchio prima che si sia svuotato totalmente, in quanto potrebbe ostruirsi ed essere difficoltoso da riavviare.
- ◆ Rimuovere terriccio e sassi dalle radici delle piante prima di tritarle.
- ◆ Nel caricare rami all'interno del biotrituratore tenerli saldamente.

- ◆ Se necessario, utilizzare l'asta di spinta (8) per caricare il materiale nel biotrituratore, come illustrato nella Figura E.

## Accensione e spegnimento (Fig. D)

### Accensione

- ◆ Spostare il selettore di direzione (2) verso sinistra.
- ◆ Premere il pulsante I dell'interruttore di accensione/spegnimento.

### Spegnimento

- ◆ Premere il pulsante O dell'interruttore di accensione/spegnimento.

**Avvertenza!** Non azionare il selettore di direzione/gli interruttori in sequenza compiendo movimenti bruschi. Una commutazione improvvisa potrebbe generare picchi di corrente potenzialmente dannosi per il biotrituratore.

### Eliminazione di un intasamento

Se il biotrituratore dovesse incepparsi per via di rami troppo spessi o duri o per la presenza di oggetti estranei, nella maggior parte dei casi il materiale si libera automaticamente. Il senso di rotazione della lama viene invertito in automatico rilasciando il materiale da sopra. Per tornare al senso di rotazione normale, procedere come descritto di seguito.

- ◆ Spegnerne il biotrituratore e attendere che la lama di triturazione si sia arrestata completamente.
- ◆ Riaccendere il biotrituratore impostato sulla rotazione in avanti.

In caso di materiale inceppato:

- ◆ Spegnerne il biotrituratore.
- ◆ Spostare il selettore di direzione (2) verso destra.
- ◆ Premere il pulsante I dell'interruttore di accensione/spegnimento fino a quando l'intasamento sarà stato eliminato.

**Avvertenza!** Mentre il biotrituratore è in funzione con la lama che ruota all'indietro potrebbe espellere dei rami dalla tramoggia di carico.

Se l'ostruzione non è stata rimossa:

- ◆ Spegnerne e scollegare l'elettrodomestico.
- ◆ Utilizzare un pezzo di legno o l'asta di spinta (8) per liberare i detriti all'interno della camera di triturazione.
- ◆ Reinserrire la spina nella presa di corrente e mettere in funzione l'apparecchio, come descritto sopra per rimuovere i detriti.

**Avvertenza!** Quando si deve rimuovere un intasamento spegnere l'apparecchio e scollegarlo dalla presa di corrente. Non tentare di rimuovere il materiale che ha prodotto l'intasamento infilando una mano attraverso la tramoggia di carico o la bocca di scarico. Tenere le mani lontano dalla camera di triturazione.

### Regolazione della piastra portalama (Fig. F)

Se l'apparecchio non riesce a triturare il materiale, la piastra portalama deve essere regolata.

- ◆ Ruotare la manopola di regolazione (7) in senso orario di mezzo giro nella posizione di taglio per tagliare completamente i materiali leggeri.
- ◆ Ruotare la manopola di regolazione in senso antiorario di mezzo giro nella posizione di triturazione per tritare i materiali pesanti.  
Il materiale potrebbe dover essere passato due volte all'interno del biotrituratore per frantumare il materiale prima di tagliarlo completamente.
- ◆ Assicurarsi che la lama non tocchi la controlama per evitare danni all'elettrotensile.

Quando il materiale tritato inizierà a pendere come una catena, regolare la macchina come descritto di seguito:

- ◆ Accendere l'apparecchio;
- ◆ ruotare molto lentamente e con delicatezza la manopola di regolazione in senso orario (7), fino ad avvertire un leggero rumore di macinatura oppure finché una piccola quantità di trucioli uscirà fuori dallo scivolo di scarico. A questo punto il materiale tritato sarà separato.

**Avvertenza!** Assicurarsi che l'apparecchio sia acceso e funzioni ruotando normalmente in avanti. Regolare la piastra portalama con il biotrituratore spento può comportare gravi danni allo stesso.

### Protezione da sovraccarico

Questo biotrituratore è provvisto di un sistema di protezione da sovraccarico. Se dovesse bloccarsi o se il motore dovesse andare in stallo, la macchina si spegne in automatico.

- ◆ Attendere 5 minuti che la protezione da sovraccarico si ripristini.
- ◆ Scollegare l'apparecchio dalla presa di corrente.
- ◆ Eliminare l'intasamento come spiegato sopra.
- ◆ Collegare l'apparecchio alla presa di corrente.
- ◆ Premere il pulsante della protezione da sovraccarico (3).
- ◆ Accendere l'apparecchio;

### Consigli per un utilizzo ottimale

- ◆ Triturare per ultimo il materiale secco, in modo da eliminare quello umido dal trituratore.
- ◆ Non lasciate che il materiale si accumuli e si compatti prima della triturazione.
- ◆ È possibile introdurre il materiale tritato nel trituratore una seconda volta per ridurne ulteriormente il volume.
- ◆ Consultare la tabella riportata in fondo a questo manuale.

### Manutenzione

Questo apparecchio/elettrotensile BLACK+DECKER, con cavo/a batteria, è stato progettato per funzionare a lungo con una manutenzione minima.

Per ottenere prestazioni sempre soddisfacenti occorre avere cura dell'apparecchio/elettrotensile e sottoporlo a pulizia periodica.

**Avvertenza!** Prima di eseguire interventi di manutenzione su elettrotensili con cavo/a batteria procedere come descritto di seguito:

- ◆ spegnere e scollegare dalla fonte di alimentazione l'apparecchio/elettrotensile;
- ◆ pulire regolarmente le prese di ventilazione dell'apparecchio/elettrotensile e dell'eventuale caricabatterie con un pennello morbido o con un panno asciutto;
- ◆ pulire regolarmente il corpo motore con un panno umido.  
Non usare prodotti abrasivi o detergenti a base di solventi.

### Sostituzione della spina (solo per Regno Unito e Irlanda)

Se dovesse essere necessario installare una nuova spina:

- ◆ smaltire in sicurezza quella vecchia;
- ◆ collegare il conduttore marrone al terminale sotto tensione nella nuova spina;
- ◆ collegare il filo blu al morsetto neutro.

**Avvertenza!** Non effettuare alcun collegamento al terminale di messa a terra. Seguire le istruzioni di montaggio fornite con le spine di buona qualità. Fusibile consigliato: 5 A.

### Protezione dell'ambiente



Raccolta differenziata. I prodotti e le batterie contrassegnati con questo simbolo non devono essere smaltiti insieme ai rifiuti domestici normali.

I prodotti e le batterie contengono materiali che possono essere recuperati o riciclati riducendo la richiesta di materie prime. Riciclare i prodotti e le batterie attenendosi alle disposizioni vigenti a livello locale.

Ulteriori informazioni sono disponibili online all'indirizzo [www.2helpU.com](http://www.2helpU.com).

### Dati tecnici

		BEGAS5800
Tensione	V	230
Frequenza	Hz	50
Corrente in ingresso	A	2400 o 2800 (P40)
Velocità a vuoto (lama)	giri/min	46
Velocità a vuoto (motore)	giri/min	2850
Diametro massimo di taglio	mm	45
Peso	Kg	29,6

#### Livello di pressione sonora misurato in conformità alla norma EN 50434:

Livello di pressione sonora di emissione ( $L_{pA}$ ) 80 dB(A), incertezza (K) 2,5 dB(A)

Livello di potenza sonora misurata ( $L_{WA}$ ) 93 dB(A), incertezza (K) 1,7 dB(A)

**Dichiarazione CE di conformità**  
DIRETTIVA MACCHINE



BEGAS5800 - Biotrituratore

Black & Decker dichiara che i prodotti qui descritti nella sezione "Dati tecnici" sono conformi alle normative: 2006/42/CE, EN 60335-1:2012 + A11:2014 + A13:2017+A1:2019+A14:2019+A2:2019+A15:2021; EN 50434:2014

2000/14/CE, Biotrituratore, Allegato V

Livello di potenza sonora misurata ( $L_{WA}$ ) 93 dB(A)  
Incertezza (K) 1,7 dB(A)

Potenza sonora garantita ( $L_{WA}$ ) 95 dB(A)

Questi prodotti sono anche conformi alle Direttive 2014/30/UE e 2011/65/UE.

Per ulteriori informazioni contattare Black & Decker all'indirizzo indicato di seguito oppure consultare l'ultima di copertina del manuale.

Il firmatario è responsabile della compilazione del fascicolo tecnico e rende questa dichiarazione per conto di Black & Decker.

*Patrick Diepenbach*

Patrick Diepenbach  
Direttore generale, Benelux  
Black & Decker,  
Egide Walschaertsstraat 14-18  
2800 Mechelen, Belgio  
08/11/2023

## Garanzia

Black & Decker, certa della qualità dei propri prodotti, offre ai consumatori una garanzia di 24 mesi dalla data di acquisto. Questa garanzia è complementare e non pregiudica in alcun modo i diritti del consumatore previsti dalla legge. La garanzia è valida nei territori degli Stati membri dell'Unione Europea, dell'EFTA (Associazione europea di libero scambio) e del Regno Unito.

Per attivare la garanzia il difetto di conformità deve essere comunicato in accordo con i Termini e condizioni Black&Decker e sarà necessario presentare la prova di acquisto al venditore o al tecnico di un centro di assistenza autorizzato.

I Termini e condizioni della garanzia Black&Decker di 2 anni e la sede del centro di assistenza autorizzato più vicino sono consultabili online all'indirizzo [www.2helpU.com](http://www.2helpU.com) oppure è possibile contattare la sede Black & Decker di zona all'indirizzo indicato in questo manuale.

Visitare il nostro sito [www.blackanddecker.it](http://www.blackanddecker.it) per registrare il prodotto BLACK&DECKER appena acquistato e ricevere aggiornamenti su nuovi articoli e offerte speciali.

## Bedoeld gebruik

Uw BLACK+DECKER™ hakselaar BEGAS5800 is ontworpen voor het hakselen van het meeste keuken- en tuinafval, waaronder gesnoeide takken, geknipte heg, takjes en ander organisch tuinafval, maar ook papier en karton. Het gehakselde afval is heel geschikt voor het maken van compost of voor het verminderen van het volume van het afval zodat het gemakkelijk kan worden weggedaan.

De hakselaar is uitsluitend bedoeld voor consumentengebruik. Het is bedoeld voor gebruik met tussenpozen: u kunt het beste niet meer dan 40 % van de tijd dat de hakselaar loopt, materiaal invoeren. Het selecteren en oprapen van het materiaal zal meestal genoeg tijd tussen het hakselen door geven.

## Veiligheidsinstructies

**Waarschuwing!** Bij apparaten die op de stroomvoorziening zijn aangesloten moeten bepaalde elementaire voorzorgsmaatregelen, waaronder de navolgende, in acht worden genomen om het gevaar voor brand, elektrische schokken en persoonlijk letsel tot een minimum te beperken.

- ◆ Lees deze volledige handleiding aandachtig voordat u het apparaat in gebruik neemt.
- ◆ In deze handleiding wordt het bedoeld gebruik beschreven. Het gebruik van andere accessoires of hulpstukken dan wel de uitvoering van andere handelingen dan deze die in deze gebruikershandleiding worden aanbevolen, kan tot persoonlijk letsel leiden.
- ◆ Bewaar deze handleiding zorgvuldig voor toekomstige raadpleging.

## **Veilige werkpraktijken voor elektrische hakselaar/versnipperaar**

### **Opleiding**

- ◆ Lees de instructies aandachtig. Zorg ervoor dat u vertrouwd bent met de bedieningen en het juiste gebruik van de machine.
- ◆ Laat kinderen of personen die deze instructies niet kennen nooit met de machine werken. Plaatselijke voorschriften kunnen eisen aan de leeftijd van de gebruiker stellen.
- ◆ Vergeet niet dat de gebruiker van de machine verantwoordelijk is voor eventuele ongelukken of voor gevaren waaraan andere mensen of hun eigendommen worden blootgesteld.

### **Vorbereiding**

- ◆ Zorg voor gehoorbescherming en een veiligheidsbril. Draag ze te allen tijde wanneer u met de machine werkt.
- ◆ Draag altijd stevige schoenen en een lange broek als u de machine gebruikt. Gebruik de machine niet wanneer u open sandalen draagt of blootsvoets bent. Draag geen loshangende kleding of kleding met koordjes of bandjes.
- ◆ Bedien de machine in een aanbevolen houding en alleen op een stevig, vlak oppervlak.
- ◆ Werk niet met de machine op een oppervlak dat is geplaveid of is bedekt met grind, waar uitgeworpen materiaal letsel kan veroorzaken.

- ◆ Inspecteer de machine altijd visueel vóór gebruik, om na te gaan of de hakseluitrusting, bouten van de hakseluitrusting en andere bevestigingsmiddelen goed vast staan, de behuizing niet beschadigd is en de beschermkappen en afschermingen geplaatst zijn. Vervang versleten of beschadigde onderdelen tegelijkertijd zodat alles op elkaar afgestemd blijft. Vervang beschadigde of onleesbare etiketten.
- ◆ Controleer vóór gebruik het netsnoer en het verlengsnoer op tekenen van beschadiging of slijtage. Als het netsnoer tijdens gebruik wordt beschadigd, moet u onmiddellijk de stekker uit het stopcontact trekken. **RAAK HET NETSNOER IN DAT GEVAL PAS AAN WANNEER DE STEKKER UIT HET STOPCONTACT IS.** Gebruik de machine niet als het netsnoer beschadigd of versleten is.
- ◆ Gebruik de machine nooit terwijl er mensen, in het bijzonder kinderen of huisdieren, in de buurt zijn.

### **Werking**

- ◆ Verzeker vóór het starten van de machine dat de aanvoerkamer leeg is.
- ◆ Houd uw gezicht en lichaam uit de buurt van de aanvoeropening.
- ◆ Reik niet met uw handen of een ander lichaamsdeel of met kleding in de invoerkamer of de uitwerptrechter of in de buurt van een bewegend onderdeel.



- ◆ Blijf te allen tijde op beide voeten en in evenwicht staan. Reik niet buiten uw macht. Ga nooit hoger staan dan de sokkel van het apparaat wanneer u er materiaal in invoert.
- ◆ Blijf altijd op enige afstand van het uitwerpgebied staan wanneer u deze machine gebruikt.
- ◆ Wanneer u materiaal in de machine invoert, moet u heel erg goed opletten dat u niet ook stukken metaal, stenen, flessen, blikken of andere vreemde voorwerpen mee invoert.
- ◆ Als het hakselmechanisme vreemde voorwerpen raakt of als de machine ongewoon veel lawaai maakt of ongewoon trilt, schakel de machine dan onmiddellijk uit, trek de stekker uit het stopcontact en laat de machine tot stilstand komen.  
Trek de stekker uit het stopcontact en onderneem volgende stappen voordat u de machine opnieuw start en gebruikt:
  - ◆ inspecteer op beschadigingen;
  - ◆ vervang of repareer beschadigde onderdelen;
  - ◆ controleer op losse onderdelen en zet deze vast.
- ◆ Laat verwerkt materiaal zich niet ophopen in het uitwerpgebied; dit kan het goede uitwerpen van materiaal belemmeren en dit kan leiden tot terugslag van materiaal via de invoeropening.
- ◆ Als de machine verstopt raakt, schakel de voeding dan uit en trek de stekker uit het stopcontact voordat u het vuil verwijdert.
- ◆ Gebruik de machine nooit met defecte beschermkappen of -schermen, bijvoorbeeld de vuilopvangbak, geplaatst.
- ◆ Houd de voeding vrij van vuil en andere zaken om beschadiging van de voedingsbron of mogelijk brand te voorkomen.
- ◆ Vervoer de machine niet terwijl de voeding is ingeschakeld.
- ◆ Stop de machine en trek de stekker uit het stopcontact. Controleer dat alle bewegende onderdelen volledig tot stilstand zijn gekomen;
  - ◆ als u de machine onbeheerd achterlaat,
  - ◆ voordat u verstoppingen verhelpt of de trechter vrijmaakt,
  - ◆ voordat u de machine controleert, reinigt of er aan werkt.
- ◆ Kantel de machine niet terwijl de voeding is ingeschakeld.

## Onderhoud en opslag

- ◆ Schakel, als de machine is gestopt voor onderhoud, inspectie of opslag of om een accessoire te wisselen, de voeding uit, trek de stekker uit het stopcontact en verzeker dat alle bewegende onderdelen volledig tot stilstand zijn gekomen. Laat de machine afkoelen voordat u inspecties, aanpassingen, enz. uitvoert.

Hanteer de machine met zorg en houd deze schoon.

- ◆ Berg de machine op een droge plaats buiten het bereik van kinderen op.
- ◆ Laat de machine afkoelen voordat u deze opbergt.
- ◆ Onthoud dat bij het verrichten van onderhoud aan de hakselaar, de messen nog altijd kunnen bewegen, zelfs als de machine is uitgeschakeld, vanwege de interlockfunctie van de beschermkap.
- ◆ Vervang versleten of beschadigde onderdelen, om veiligheidsredenen. Gebruik alleen originele vervangonderdelen en accessoires.
- ◆ Probeer nooit om de interlockfunctie van de beschermkap te overbruggen.

## **Aanvullende veiligheidsinstructies voor units met zakken**

- ◆ Schakel de machine uit vóór het bevestigen of verwijderen van de zak.

## **Aanbeveling**

- ◆ De machine moet gevoed worden via een verliesstroomschakelaar (RCD) met een uitschakelstroom van maximum 30 mA.

## **Veiligheid van anderen**

- ◆ Dit apparaat mag worden gebruikt door kinderen van 8 jaar en ouder en personen die lichamelijk of geestelijk minder valide zijn of die geen ervaring met of kennis van dit apparaat hebben, mits deze onder toezicht staan of instructies krijgen voor veilig manier gebruik van het apparaat en inzicht hebben in de mogelijke gevaren.
- ◆ Kinderen mogen niet met het apparaat spelen. Laat kinderen nooit zonder toezicht het gereedschap schoonmaken of onderhouden.

## **Overige risico's**

Er kunnen zich bij het gebruik van dit gereedschap nog meer risico's vormen, die mogelijk niet in de bijgesloten veiligheidswaarschuwingen worden beschreven. Deze risico's kunnen voortvloeien uit verkeerd gebruik, langdurig gebruik, enz. Zelfs wanneer de veiligheidsvoorschriften in acht worden genomen en de veiligheidsuitrustingen geïmplementeerd zijn, kunnen bepaalde risico's niet worden vermeden. Dit zijn onder meer:

- ◆ Verwondingen die worden veroorzaakt door het aanraken van bewegende onderdelen.
- ◆ Verwondingen die worden veroorzaakt door het aanraken van warme onderdelen.
- ◆ Verwondingen die worden veroorzaakt bij het vervangen van onderdelen of accessoires.

- ◆ Verwondingen die worden veroorzaakt door langdurig gebruik van het apparaat. Wanneer u het apparaat gedurende langere perioden gebruikt, is het belangrijk dat u de werkzaamheden regelmatig onderbreekt.
- ◆ Gehoorbeschadiging.
- ◆ Gezondheidsrisico's veroorzaakt door het inademen van stof dat vrijkomt bij gebruik van uw gereedschap (bijv.: het werken met hout, vooral eiken, beuken en MDF.)
- ◆ Gebruik, als werken met de hakselaar op een vochtige locatie niet vermeden kan worden, een verliesstroomschakelaar (Residual Current Device - RCD) met een uitschakelstroom van maximum 30 mA.  
Het gebruik van een verliesstroomschakelaar vermindert het risico van een elektrische schok.
- ◆ Til een apparaat nooit op of draag een apparaat nooit terwijl de motor draait.
- ◆ Uw apparaat is ontworpen voor gebruik op uitsluitend wisselstroom (AC).  
Probeer niet het apparaat te gebruiken op een andere stroomvoorziening.

## Verlengsnoeren

- ◆ Wanneer u het apparaat buitenshuis gebruikt, mag u alleen een verlengsnoer gebruiken dat bedoeld is voor gebruik buitenshuis.
- ◆ U kunt een verlengsnoer van maximaal 25 m, 1,5 mm<sup>2</sup>, 3-aderig, gebruiken zonder vermogensverlies.
- ◆ Houd verlengsnoeren altijd uit de buurt van gevaarlijke, bewegende onderdelen, zodat wordt voorkomen dat het snoer beschadigd raakt en u in contact komt met onderdelen die onder spanning staan.

## Werking

- ◆ Kijk voordat u het apparaat start, in de invoerkamer zodat u zeker weet dat deze leeg is.
- ◆ Houd uw gezicht en uw lichaam uit de buurt van de invoeropening, lange takken kunnen wegzwiepen wanneer ze in de hakselaar worden getrokken. Reik niet met uw handen of een ander lichaamsdeel of met kleding in de invoerkamer of de uitwerptrechter of in de buurt van een bewegend onderdeel.
- ◆ Blijf te allen tijde op beide voeten en in evenwicht staan. Reik niet buiten uw macht. Ga nooit hoger staan dan de voet van het apparaat wanneer u er materiaal in invoert.

## Bescherming tegen elektrische schok

- ◆ Het apparaat moet worden aangesloten op een stopcontact of verlengsnoer dat een aarde-aansluiting heeft.
- ◆ De elektrische veiligheid kan verder verbeterd worden door een zeer gevoelige verliesstroomschakelaar (30 mA / 30 mS) te gebruiken (RCD).

- ◆ Blijf altijd op enige afstand van het uitwerpgebied staan wanneer u dit apparaat gebruikt.
- ◆ Wanneer u materiaal in de machine invoert, moet u heel erg goed opletten dat u geen stukken metaal, stenen, flessen, blikken of andere vreemde voorwerpen mee invoert.
- ◆ Als het hakselmechanisme vreemde voorwerpen raakt of als het apparaat ongewoon veel lawaai maakt of ongewoon trilt, zet het apparaat dan uit, trek de stekker uit het stopcontact en laat het apparaat tot stilstand komen.
  - ◆ Inspecteer het apparaat op beschadigingen.
  - ◆ Controleer op losse onderdelen en zet deze vast.
  - ◆ Laat beschadigde onderdelen door een erkend servicemonteur repareren of vervangen door originele onderdelen.
- ◆ Laat verwerkt materiaal zich niet ophopen in het uitwerpgebied; dit kan het goede uitwerpen van materiaal belemmeren en dit kan leiden tot terugslag van materiaal via de invoeropening.
- ◆ Als het apparaat verstopt raakt, schakel het dan uit, trek de stekker uit het stopcontact en laat het apparaat tot stilstand komen, voordat u het afval verwijdert.
- ◆ Houd alle beschermkappen en deflectors op hun plaats en in goede staat.
- ◆ Vervoer of kantel het apparaat niet terwijl het in werking is.
- ◆ Laat het apparaat niet onbeheerd achter. Verlaat u het werkgebied, zet het apparaat dan uit, trek de stekker uit het stopcontact en laat het apparaat tot stilstand komen.  
Er moet toezicht worden gehouden op kinderen om ervoor te zorgen dat deze niet met het apparaat spelen.
- ◆ Kantel het apparaat niet terwijl de voeding is ingeschakeld.
- ◆ Koppel de voeding altijd los:
  - ◆ voordat u een blokkade verwijdert;
  - ◆ vóór het controleren, reinigen of werken aan de machine;
  - ◆ na het raken van een vreemd voorwerp, om de machine te controleren op schade;
  - ◆ als de machine abnormaal begint te trillen;

## Onderhoud en opslag

- ◆ Wanneer het apparaat wordt stilgezet voor service, inspectie of opslag, of voor het wisselen van een accessoire, zet het dan uit en trek de stekker uit het stopcontact.  
Controleer dat alle bewegende onderdelen volledig tot stilstand zijn gekomen voordat u inspecties, aanpassingen, enz. uitvoert.
- ◆ Berg het apparaat op een droge en afgesloten plaats op. Kinderen mogen geen toegang hebben tot opgeborgen apparaten.

## Labels op het apparaat

De volgende pictogrammen worden weergegeven op het gereedschap, naast de datumcode (19) met het bouwjaar die op de behuizing gedrukt is.

Voorbeeld:

2023 XX XX:



**Waarschuwing!** Lees de handleiding voordat u met het apparaat gaat werken.



Gevaar - ronddraaiende messen. Houd handen en voeten beide openingen weg.



Gebruik het gereedschap niet in natte omstandigheden en stel het niet bloot aan regen.



Draag een veiligheidsbril of een stofbril wanneer u met dit apparaat werkt.



Maak gebruik van goede gehoorbescherming wanneer u dit apparaat gebruikt.



Haal altijd de stekker uit het stopcontact voordat u reinigings- of onderhoudswerkzaamheden gaat uitvoeren. Gebruik de machine niet als de kabel is beschadigd.



Trek de stekker uit het stopcontact wanneer het snoer beschadigd of in de war raakt.



Wacht tot het volledig tot stilstand is gekomen voordat u het aanraakt.



Wees bedacht op voorwerpen die worden weggeslingerd.

Houd omstanders uit de buurt van uw werkgebied.



Zorg ervoor dat u handschoenen draagt wanneer u dit apparaat bedient.



Niet gebruiken als opstapje.



Richtlijn 2000/14/EG gegarandeerd geluidsvermogen.

## Elektrische veiligheid



### Waarschuwing!

Waarschuwing!

Dit product moet geaard zijn. Controleer altijd dat de stroomvoorziening overeenkomt met de voltage op het typeplaatje.

- ◆ Als het netsnoer is beschadigd, moet dit worden vervangen door de fabrikant of een BLACK+DECKER-servicecentrum, zodat gevaarlijke situaties worden voorkomen.
- ◆ De elektrische veiligheid kan verder verbeterd worden door een zeer gevoelige verliesstroomschakelaar van 30 mA te gebruiken (RCD).

## Kenmerken

Dit apparaat heeft enkele of alle van de volgende functies.

1. Aan/uit-schakelaar
2. Selectieknop voor de richting
3. Knop overbelastingsbeveiliging
4. Trechter
5. Standaard
6. Verzamelbak
7. Stelknop
8. Plunjier

9. Inlaat van het apparaat (alleen voor gebruik bij Europese modellen die niet via een voedingskabel gevoed worden)

## Montage

**Waarschuwing!** Let er voor u overgaat tot montage op dat de machine is uitgeschakeld en de stekker uit het stopcontact is getrokken.

### De wielen op de standaard bevestigen (Afb. A1 & A2)

- ◆ Draai de standaard ondersteboven en schuif de wielas (11) in de asbuis
- ◆ Bevestig een ring (14) en een wielager (13) op beide uiteinden van de as.
- ◆ Zet de wielen (12) op de as (11), let erop dat u ze plaatst zoals wordt weergegeven op afbeelding A2.
- ◆ Plaats een ring (14a) aan de buitenzijde van elk wiel.
- ◆ zet de wielen op hun plaats vast met de moeren (10).
- ◆ Plaats de naafkappen (9).
- ◆ Zet de voet (16) vast op de standaard (5) met de schroeven (18) met een ring en borgring, zoals wordt weergegeven op afbeelding A1

### De motoreenheid op de standaard bevestigen (Afb. B)

- ◆ Lijn de gaten in de motoreenheid uit met de overeenstemmende gaten in de standaard (5).
- ◆ Steek de schroeven met ring en borgring (18) door de motoreenheid en in de standaard.

### De bovenste trechter bevestigen (Afb. C1)

- ◆ Lijn de gaten in de bovenste trechter (4) uit met de overeenstemmende gaten in de motoreenheid en zet deze vast met de schroeven, zonder ring en borgring (17)

### De opvangbak monteren (Afb. C1 & C2)

- ◆ Schuif de opvangbak (6) in de standaard (5) en let erop dat de veiligheidsschakelaar (6a) stevig wordt vergrendeld.

**Opmerking:** De unit zal niet werken als de veiligheidsschakelaar (6a) niet is ingeschakeld.

## Gebruik

**Waarschuwing!** Laat het gereedschap op z'n eigen snelheid werken. Niet overbelasten.

- ◆ Schakel het apparaat pas uit als het volledig leeg is, omdat het anders verstopt kan raken en moeilijk gestart zal kunnen worden.
- ◆ Verwijder aarde en stenen van plantwortels vóór het hakselen.
- ◆ Houd takken stevig vast wanneer u ze invoert in de hakselaar.
- ◆ Gebruik de pluñjer (8) indien nodig om materiaal is de hakselaar te voeren, zoals weergegeven op afbeelding E.

## In- en uitschakelen (Afb. D)

### Inschakelen

- ◆ Zet de keuzeknop voor de richting (2) in de linkse stand.
- ◆ Druk op de knop I op de aan-/uitschakelaar.

### Uitschakelen

- ◆ Druk op de knop O op de aan-/uitschakelaar.

**Waarschuwing!** Bedien de selectieknop voor de richting/ de schakelaars niet snel achtereen. Snel overschakelen kan stroompieken veroorzaken die de hakselaar kunnen beschadigen.

## Een verstopping verhelpen

Als het apparaat vastloopt door takken die te dik of te hard zijn, of door vreemde voorwerpen, zal de hakselaar meestal zichzelf uitschakelen. De draairichting zal vanzelf omkeren en daardoor zal het materiaal terug omhoog worden geduwd. U kunt de hakselaar weer in de normale richting laten draaien door als volgt te werk te gaan:

- ◆ Schakel de hakselaar uit en wacht tot het mes volledig tot stilstand is gekomen.
- ◆ Schakel de machine opnieuw in voorwaartse richting in.

Als het materiaal vast zit:

- ◆ Schakel het apparaat uit.
- ◆ Zet de keuzeknop voor de richting (2) in de rechte stand.
- ◆ Druk op de knop I tot de blokkade is verwijderd.

**Waarschuwing!** Er kunnen takken uit de inlaattrechter worden geslingerd wanneer het apparaat in tegengestelde richting draait.

Als de blokkade niet is verholpen:

- ◆ Schakel het apparaat uit en trek de stekker uit het stopcontact.
- ◆ Gebruik een stuk hout of de pluñjer (8) om het vuil in de hakselkamer los te maken.
- ◆ Steek de stekker opnieuw in het stopcontact en laat het apparaat werken zoals hierboven wordt beschreven om vuil te verwijderen.

**Waarschuwing!** Schakel het apparaat altijd uit en trek de stekker uit het stopcontact wanneer u een blokkade verwijdert. Probeer niet blokkades te verwijderen met de hand via de inlaattrechter of de uitlaatopening. Houd uw handen weg bij de hakselkamer.

## De hakselplaat afstellen (Afb. F)

De hakselplaat moet worden afgesteld als er door het apparaat geen materiaal meer wordt gehakseld.

- ◆ Draai de instelknop (7) een halve slag naar rechts in de hakselstand om volledig door licht materiaal te snijden.
- ◆ Draai de instelknop een halve slag naar links in de pletstand om zwaar materiaal te hakselen. De materialen zullen misschien tweemaal door het apparaat moeten worden gevoerd en worden geplet voordat het materiaal volledig wordt gehakseld.

- ◆ Verzeker dat het snijmes het aambeeldmes niet raakt, om beschadiging van het apparaat te voorkomen.

Wanneer het gehakselde materiaal er als een ketting uitziet, voer dan de volgende afstelling uit:

- ◆ Schakel het apparaat in.
- ◆ Draai de instelknop (7) zeer langzaam en licht naar rechts tot u een licht schurend geluid hoort of een kleine hoeveelheid aluminiumspaanders uit de uitwerptrechter valt. Het gehakselde materiaal wordt nu gescheiden.

**Waarschuwing!** Zorg ervoor dat het apparaat wordt ingeschakeld en in de normale voorwaartse richting werkt. Afstellen van de hakselplaat terwijl het apparaat is uitgeschakeld, kan tot ernstige beschadiging van het apparaat leiden.

### Overbelastingsbeveiliging

Dit apparaat heeft een overbelastingsbeveiliging. Als het apparaat verstopt raakt en de motor loopt vast, wordt de stroomvoorziening automatisch uitgeschakeld.

- ◆ Wacht ongeveer 5 minuten tot de beveiliging is gereset.
- ◆ Koppel het apparaat los van de netspanning.
- ◆ Verhelp de blokkade zoals hierboven wordt beschreven.
- ◆ Sluit het apparaat aan op de voeding.
- ◆ Druk op de knop voor overbelastingsbeveiliging (3).
- ◆ Schakel het apparaat in.

### Tips voor optimaal gebruik

- ◆ Haksel droge materialen het laatste, omdat dit helpt om vochtig materiaal uit de hakselaar te verwijderen.
- ◆ Laat de hoeveelheid materiaal niet te veel ophopen en composteer vóór het hakselen.
- ◆ U kunt gehakseld materiaal een tweede keer door de hakselaar voeren zodat het volume ervan nog verder afneemt.
- ◆ Raadpleeg de tabel op het einde van deze tekst.

### Onderhoud

Het BLACK+DECKER-apparaat/-gereedschap, met netsnoer/snoerloos, is ontworpen om gedurende lange tijd te functioneren met een minimum aan onderhoud.

U kunt het gereedschap/het apparaat naar volle tevredenheid blijven gebruiken als u het goed onderhoudt en regelmatig schoonmaakt.

**Waarschuwing!** Ga als volgt te werk voordat u onderhoud aan elektrisch gereedschap met of zonder snoer uitvoert:

- ◆ Schakel het gereedschap/apparaat uit en trek de stekker uit het stopcontact.
- ◆ Reinig regelmatig de ventilatieopeningen van het gereedschap/apparaat en de lader met een zachte borstel of droge doek.
- ◆ Reinig de behuizing van de motor regelmatig met een vochtige doek. Gebruik geen schuurmiddel of reinigingsmiddel op basis van een oplosmiddel.

### Vervanging van de netstekker (alleen VK en Ierland)

Als er een nieuwe netstekker moet worden gemonteerd:

- ◆ Gooi de oude stekker op verantwoorde wijze weg.
- ◆ Sluit de bruine draad aan op de spannings-/faseaansluiting in de nieuwe stekker.
- ◆ Sluit de blauwe draad aan op de nul-/neutraalpool.

**Waarschuwing!** Er moet geen verbinding tot stand worden gebracht met de aardingsaansluiting. Volg de montage-instructies die bij stekkers van goede kwaliteit worden geleverd. Aanbevolen zekering: 5 A.

### Het milieu beschermen



Gescheiden afvalinzameling. Producten en accu's met dit symbool, mogen niet bij het normale huishoudafval worden weggegooid.

Producten en accu's bevatten materialen die kunnen worden teruggewonnen of gerecycled, wat de vraag naar grondstoffen doet afnemen. Recycle elektrische producten en accu's overeenkomstig de plaatselijke richtlijnen.

Nadere informatie is beschikbaar op [www.2helpU.com](http://www.2helpU.com)

### Technische gegevens

		BEGAS5800
Spanning	V	230
Frequentie	Hz	50
Opgenomen vermogen	W	2400 of 2800 (P40)
Onbelaste snelheid (mes)	/min	46
Onbelaste snelheid (motor)	/min	2850
Maximale lengte zaagsnede	mm	45
Gewicht	Kg	29,6

#### Geluidsrukniveau, volgens EN 50434:

Emissie geluidsrukniveau ( $L_{pA}$ ) 80 dB(A), onzekerheid (K) 2,5 dB(A)

Gemeten geluidsvermogensniveau ( $L_{wA}$ ) 93 dB(A), onzekerheid (K) 1,7 dB(A)

### EG-conformiteitsverklaring MACHINERICHTLIJN



BEGAS5800– Hakselaar

Black & Decker verklaart dat de producten die worden beschreven onder "technische gegevens", voldoen aan: 2006/42/EC, EN 60335-1:2012 + A11:2014 + A13:2017+A1:2019+A14:2019+A2:2019+A15:2021; EN 50434:2014 2000/14/EC, Hakselaar, Bijlage V

Gemeten geluidsvermogen ( $L_{wa}$ ) 93 dB(A)

Meetonzekerheid (K) 1,7 dB(A)

Gegarandeerd geluidsvermogen ( $L_{wa}$ ) 95 dB(A)

Deze producten voldoen ook aan richtlijn 2014/30/EU en 2011/65/EU.

Neem voor meer informatie contact op met Black & Decker op het volgende adres of raadpleeg de achterkant van de handleiding.

Ondergetekende is verantwoordelijk voor de samenstelling van het technische bestand en legt deze verklaring af namens Black & Decker.

*Patrick Diepenbach*

Patrick Diepenbach  
General Manager, Benelux  
Black & Decker,  
Egide Walschaertsstraat 14-18  
2800 Mechelen, België  
8-11-2023

## Garantie

Black & Decker heeft vertrouwen in zijn producten en biedt consumenten een garantie van 24 maanden vanaf de aankoopdatum. Deze garantie vormt een aanvulling op uw wettelijke rechten en beperkt deze op geen enkele manier. De garantie is geldig op het grondgebied van de Lidstaten van de Europese Unie, de Europese Vrijhandelszone en het Verenigd Koninkrijk.

Voor een garantie-aanspraak moet u aanspraak in overeenstemming zijn met de Voorwaarden en Condities van Black & Decker en moet u een bewijs van aankoop overleggen aan de verkoper of aan een geautoriseerde reparatiemonteur.

Voorwaarden en condities van de 2-jarige garantie van Black & Decker en het adres van de vestiging van het geautoriseerde reparatiecentrum bij u in de buurt, kunt u vinden op internet op [www.2helpU.com](http://www.2helpU.com), of door contact op te nemen met het Black & Decker-kantoor ter plaatse, op het adres dat in deze handleiding wordt vermeld.

Bezoek onze website [www.blackanddecker.nl](http://www.blackanddecker.nl), waar u uw nieuwe BLACK+DECKER-product kunt registreren en informatie kunt verkrijgen over nieuwe producten en speciale aanbiedingen.

## Uso previsto

La trituradora de jardín BEGAS5800 de BLACK+DECKER™ ha sido diseñada para triturar la mayoría de los residuos de cocina y jardín, incluidos los restos de poda, setos, ramas y otros desechos de jardín orgánicos, así como papel y cartón. Los residuos triturados son perfectos para el compostaje o para facilitar su desechado gracias a la reducción de su volumen.

Esta trituradora de jardín ha sido diseñada únicamente para uso doméstico. Está prevista para un uso intermitente. Se recomienda que el tiempo de introducción de material sea el 40 % del tiempo total de ejecución de la máquina. Normalmente, las tareas de selección y recogida de material darán lugar al tiempo de inactividad suficiente.

## Instrucciones de seguridad

**¡Advertencia!** Al utilizar aparatos eléctricos, es necesario seguir las precauciones de seguridad básicas, incluidas las que se indican a continuación, para reducir el riesgo de incendios, electrocución y lesiones.

- ◆ Lea detenidamente todo este manual antes de utilizar el aparato.
- ◆ En este manual se describe el uso previsto del aparato. La utilización de accesorios o acoplamientos y la realización de operaciones distintas a las recomendadas en este manual de instrucciones con este aparato pueden conllevar el riesgo de lesiones.
- ◆ Conserve este manual para futuras consultas.

## Prácticas de uso seguras para trituradoras/troceadoras eléctricas

### Consejos

- ◆ Lea detenidamente estas instrucciones. Familiarícese con los controles y con el uso correcto de la máquina.



- ◆ Nunca permita que los niños ni las personas no familiarizadas con estas instrucciones utilicen la máquina. Las normativas locales pueden restringir la edad del usuario.
- ◆ Recuerde que el operador o el usuario serán responsables de los accidentes y las situaciones peligrosas que puedan sufrir las personas que se encuentren alrededor o sus propiedades.

## Preparación

- ◆ Póngase protección auditiva y gafas de seguridad. Úselas en todo momento mientras utilice la máquina.
- ◆ Cuando utilice la máquina lleve siempre calzado y pantalones largos resistentes.  
No utilice el aparato si va descalzo o con sandalias. Evite llevar ropa holgada o que tenga cordones o lazos colgantes.
- ◆ Utilice la máquina en la posición recomendada y solo en una superficie firme y nivelada.
- ◆ No utilice la máquina sobre superficies pavimentadas o con grava, donde el material proyectado podría provocar lesiones.
- ◆ Antes del uso, haga siempre una inspección visual para comprobar que los pernos y otras fijaciones de los medios de trituración estén bien fijados, que la carcasa no tenga daños y que los protectores y pantallas estén en su lugar.

Sustituya las piezas desgastadas o dañadas por conjuntos para mantener el equilibrio. Sustituya las etiquetas dañadas o ilegibles.

- ◆ Antes de utilizar el aparato, compruebe que el cable de alimentación y el cable de extensión no estén dañados o gastados. Si se daña el cable mientras utiliza el producto, desconecte el cable de la red eléctrica inmediatamente. **NO TOQUE EL CABLE SIN HABERLO DESCONECTADO PREVIAMENTE DE LA RED ELÉCTRICA.** No utilice el aparato si el cable está dañado o desgastado.
- ◆ Nunca utilice la máquina si otras personas, especialmente niños o mascotas, se encuentran cerca.

## Operación

- ◆ Antes de arrancar la máquina, compruebe que la cámara de alimentación esté vacía.
- ◆ Mantenga la cara y el cuerpo alejados de la abertura de entrada de alimentación.
- ◆ No deje las manos ni otras partes del cuerpo o prendas en la cámara de alimentación, el conducto de descarga o cerca de las partes móviles.
- ◆ Mantenga un equilibrio adecuado y una buena postura constantemente. No se estire demasiado. No permanezca en un nivel superior al de la base de la máquina cuando introduzca el material.

- ◆ Manténgase siempre alejado de la zona de descarga cuando utilice la máquina.
- ◆ Al introducir material en la máquina, tenga extremo cuidado de no introducir piezas metálicas, piedras, botellas, latas u otros objetos extraños.
- ◆ Si el mecanismo de corte golpea algún objeto extraño o si la máquina empieza a hacer algún ruido o vibración extraña, interrumpa la fuente de alimentación y deje que la máquina se detenga.  
Desconecte la máquina de la fuente de alimentación y siga los siguientes pasos antes de volver a encender y utilizar la máquina:
  - ◆ controle si tiene daños;
  - ◆ sustituya o repare las piezas dañadas;
  - ◆ compruebe si hay piezas sueltas y, en su caso, apriételas.
- ◆ No deje que el material procesado se acumule en la zona de descarga porque esto podría evitar su correcta salida y dar lugar al retroceso del material por la apertura de alimentación.
- ◆ Si la máquina se atasca, apague la fuente de alimentación y desconecte la máquina antes de limpiar los residuos.
- ◆ Nunca utilice la máquina si tiene los protectores defectuosos o sin los dispositivos de seguridad, como, por ejemplo, el colector de residuos en su lugar.

- ◆ Mantenga la fuente de alimentación libre de residuos y otras acumulaciones, para evitar daños a la fuente de alimentación o posibles incendios.
- ◆ No transporte la máquina si la fuente de alimentación está en funcionamiento.
- ◆ Detenga la máquina y desconecte el enchufe de la toma de corriente. Compruebe que todas las piezas móviles se hayan detenido por completo:
  - ◆ cuando deje la máquina,
  - ◆ antes de despejar obstrucciones o desatascar el conducto,
  - ◆ antes de controlar, limpiar o realizar trabajos en la máquina.
- ◆ No incline la máquina si la fuente de alimentación está en funcionamiento.

## Mantenimiento y almacenamiento

- ◆ Cuando la máquina está parada para efectuar el mantenimiento, una inspección, para guardarla o para cambiar un accesorio, apague la fuente de alimentación, desconecte la máquina de la fuente de alimentación y compruebe que todas las piezas móviles estén totalmente detenidas. Deje que la máquina se enfríe antes de realizar cualquier inspección, ajuste, etc. Efectúe cuidadosamente el mantenimiento de la máquina y manténgala limpia.

- ◆ Guarde la máquina y los accesorios en un lugar seco y fuera del alcance de los niños.
- ◆ Deje enfriar siempre la máquina antes de guardarla.
- ◆ Tenga cuidado cuando haga el mantenimiento de los medios de trituración porque, aunque la fuente de alimentación esté desconectada, aún pueden moverse.
- ◆ Sustituya las partes desgastadas o dañadas por seguridad. Utilice solo piezas de repuesto y accesorios originales.
- ◆ Nunca intente anular la función de bloqueo del protector.
- ◆ Los niños no deben jugar con el aparato. Los niños no deberán realizar las tareas de limpieza y mantenimiento de usuario, salvo que lo hagan bajo supervisión.

### Riesgos residuales

Al utilizar la herramienta, podrían surgir riesgos residuales adicionales que no se incluyan en las advertencias de seguridad incluidas. Estos riesgos pueden surgir por un mal uso, un uso prolongado, etc.

Incluso al aplicar las normas de seguridad pertinentes y al usar los dispositivos de seguridad, existen determinados riesgos residuales que no pueden evitarse. Por ejemplo:

- ◆ Lesiones producidas por el contacto con piezas móviles.
- ◆ Lesiones producidas por el contacto con piezas calientes.
- ◆ Lesiones producidas al cambiar cualquier pieza o accesorio.
- ◆ Lesiones producidas al usar el aparato por un tiempo demasiado prolongado. Si utiliza un aparato durante períodos de tiempo demasiado prolongados, asegúrese de realizar pausas con frecuencia.
- ◆ Deterioro auditivo.
- ◆ Riesgos para la salud causados por la respiración del polvo generado por el uso de la herramienta (por ejemplo, al trabajar con madera, especialmente roble, haya, tablero semiduro de fibras).

### Instrucciones adicionales de seguridad para unidades con accesorios de embolsado

- ◆ Apague la máquina antes de colocar o quitar la bolsa.

### Recomendación

- ◆ La máquina debe estar dotada de un dispositivo diferencial residual (DDR) con una corriente de desconexión no superior a 30 mA.

### Seguridad de otras personas

- ◆ Este aparato puede ser utilizado por niños de más de 8 años de edad y por personas con capacidades físicas, sensoriales o mentales disminuidas, o que carezca de experiencia y conocimientos, si están supervisadas o han recibido formación sobre el uso seguro del aparato y comprenden los peligros que entraña su uso.

- ◆ Si no se puede evitar usar la trituradora en un lugar húmedo, use un dispositivo diferencial residual (DDR) con una corriente de desconexión no superior a 30 mA.  
El uso de un DDR reduce el riesgo de descarga eléctrica.
- ◆ Nunca levante o transporte el aparato mientras el motor está en funcionamiento.

## Protéjase contra las descargas eléctricas

- ◆ El aparato debe estar conectado a una toma o cable de extensión con conexión a tierra.
- ◆ Se puede incrementar la seguridad eléctrica mediante el uso de un dispositivo diferencial residual (DDR) de alta sensibilidad (30 mA / 30 mS).
- ◆ El aparato ha sido diseñado para usar con corriente alterna (red) únicamente. No intente utilizarlo con cualquier otra fuente de alimentación.

## Cables de extensión

- ◆ Cuando utilice el aparato en exteriores, utilice solamente cables de prolongación previstos para exteriores.
- ◆ Se puede utilizar un cable de prolongación de 3 núcleos de 1,5 mm<sup>2</sup> de hasta 25 m sin pérdida de rendimiento.
- ◆ Mantenga siempre los cables de prolongación alejados de piezas móviles peligrosas para evitar daños cables que podrían producirse por el contacto con las partes bajo corriente.

## Operación

- ◆ Antes de arrancar el aparato, inspeccione la cámara de alimentación para asegurarse de que esté vacía.
- ◆ Mantenga la cara y el cuerpo alejados de la apertura de alimentación porque algunas ramas largas pueden dar latigazos al entrar en el engranaje de corte. No deje las manos ni otras partes del cuerpo o prendas en la cámara de alimentación, el conducto de descarga o cerca de las partes móviles.
- ◆ Mantenga un equilibrio adecuado y una buena postura constantemente. No se estire demasiado. No permanezca en un nivel superior al de la base del aparato cuando introduzca material en él.
- ◆ Manténgase siempre alejado de la zona de descarga cuando manipule este aparato.
- ◆ Al introducir material en el aparato, tenga extremo cuidado de no introducir piezas metálicas, piedras, botellas, latas u otros objetos extraños.
- ◆ Si el mecanismo de corte golpea algún objeto extraño o si el aparato empieza a hacer algún ruido o vibración extraña, apague el aparato, saque el enchufe de la toma de corriente y deje que se detenga.
  - ◆ Compruebe que el aparato no presente daños.
  - ◆ Compruebe si hay piezas sueltas y, en su caso, apriételas.

- ◆ Haga reparar o sustituir con repuestos originales las piezas dañadas o defectuosas por un agente autorizado del servicio técnico.
- ◆ No deje que el material procesado se acumule en la zona de descarga porque esto podría evitar su correcta salida y dar lugar al retroceso del material por la apertura de alimentación.
- ◆ En caso de obstrucción del aparato, apáguelo, saque el enchufe de la toma de corriente y deje que se pare antes de limpiar los residuos.
- ◆ Mantenga todos los protectores y deflectores en su lugar y en buenas condiciones de funcionamiento.
- ◆ No transporte ni incline el aparato mientras esté en funcionamiento.
- ◆ No deje el aparato desatendido. Siempre que tenga que abandonar la zona de trabajo, apague el aparato, saque el enchufe de la toma de red y deje que pare.  
Los niños deben vigilarse en todo momento para garantizar que el aparato no se toma como elemento de juego.
- ◆ No incline el aparato si la fuente de alimentación está en funcionamiento.
- ◆ Desconecte siempre la alimentación:
  - ◆ antes de limpiar una obstrucción;
  - ◆ antes de controlar, limpiar o realizar trabajos en la máquina;
  - ◆ después de haber golpeado un objeto extraño, para comprobar si la máquina ha sufrido daños;

- ◆ si la máquina comienza vibrar de manera anormal.

## Mantenimiento y almacenamiento

- ◆ Si se ha detenido el aparato para efectuar tareas de puesta a punto, inspección o almacenamiento, o para cambiar algún accesorio, apáguelo y saque el enchufe de red.  
Antes de realizar cualquier inspección, ajuste, etc., compruebe que las piezas móviles estén completamente paradas.
- ◆ Guarde el aparato en un lugar seco y bajo llave. Los niños no deberían poder acceder a los aparatos guardados.

## Etiquetas del aparato

En la herramienta se muestran los siguientes pictogramas junto con el código de fecha (19) que tiene también el año de fabricación estampado en la carcasa.

Ejemplo:

2023 XX XX:



**¡Advertencia!** Lea el manual antes de utilizar el aparato.



Peligro: hojas giratorias. Mantenga las manos y pies alejados de las aperturas.



No utilice la herramienta en entornos húmedos ni la esponga a la lluvia.



Cuando utilice el aparato, lleve siempre gafas protectoras.



Cuando maneje el aparato, utilice protectores para los oídos adecuados.



Siempre debe extraer el enchufe del aparato antes de limpiar y realizar el mantenimiento. Tenga cuidado de no utilizar el aparato si el cable está estropeado.



Desconecte el enchufe de red si el cable está dañado o enredado.



Espere a que se detenga por completo antes de tocarla.



Tenga cuidado con los objetos que salen volando. Mantenga a otras personas alejadas de la zona de corte.



Utilice guantes para utilizar esta herramienta.



No utilice el aparato como escalera.



Potencia acústica garantizada conforme a la Directiva 2000/14/CE.

## Seguridad eléctrica



**¡Advertencia! ¡Advertencia!**

Este producto debe conectarse a una toma de tierra. Compruebe siempre que el voltaje suministrado corresponda al indicado en la placa de características.

- ◆ Si se dañara el cable de alimentación, deberá ser sustituido por el fabricante o por un centro de asistencia técnica autorizado de BLACK+DECKER para evitar cualquier situación de riesgo.
- ◆ Se puede incrementar la seguridad eléctrica mediante la utilización de un dispositivo diferencial residual (DDR) de alta sensibilidad de 30 mA.

## Características

Este aparato incluye alguna o todas las características siguientes:

1. Interruptor de encendido/apagado
2. Selector de dirección
3. Botón de protección contra sobrecargas
4. Embudo
5. Soporte
6. Contenedor de recogida
7. Botón de ajuste
8. Émbolo
9. Entrada del aparato (solo para uso en modelos europeos que no incluyen un cable de alimentación)

## Montaje

**¡Advertencia!** Antes de proceder al montaje, compruebe que el aparato esté apagado y desenchufado.

### Instalación de las ruedas en el soporte (Fig. A1 y A2)

- ◆ Dé vuelta el soporte y deslice el eje de la rueda (11) por el tubo del eje.
- ◆ Coloque una arandela (14) y un cojinete de la rueda (13) en cada extremo del eje.
- ◆ Coloque las ruedas (12) en el eje (11), asegurándose de que estén de frente, como se muestra en la figura A2.
- ◆ Coloque una arandela (14a) en la parte exterior de cada rueda.
- ◆ Fije las ruedas en su sitio con las tuercas (10).
- ◆ Coloque los tapacubos (9).
- ◆ Fije el pie (16) al soporte (5) mediante los tornillos y con arandela y arandela de bloqueo (18), como se muestra en la figura A1.

### Instalación de la unidad del motor en el soporte (Fig. B)

- ◆ Alinee los orificios de la unidad del motor con los orificios correspondientes del soporte (5).
- ◆ Inserte los tornillos con arandela y arandela de fijación (18) por la unidad del motor y dentro del soporte.

### Colocación del embudo superior (Fig. C1)

- ◆ Alinee los orificios del embudo superior (4) con los orificios correspondientes de la unidad del motor y fijelos usando los tornillos sin arandela y arandela de fijación (17).

### Instalación del contenedor de recogida (Fig. C1 y C2)

- ◆ Deslice el contenedor de recogida (6) hacia dentro del soporte (5) asegurándose de que el interruptor de seguridad (6a) se bloquee de forma segura.

**Nota:** La unidad no funcionará hasta que se haya conectado el interruptor de seguridad (6a).

### Uso

**¡Advertencia!** Deje que la herramienta funcione a su ritmo.

No la sobrecargue.

- ◆ No desconecte el aparato hasta que esté completamente vacío porque podría obstruirse y podría resultar difícil volver a arrancarlo.
- ◆ Quite la tierra y las piedras de las raíces de las plantas antes de triturarlas.
- ◆ Sujete firmemente las ramas al introducirlas en la trituradora.
- ◆ Utilice el émbolo (8) cuando sea necesario introducir material en la trituradora, según se muestra en la figura E.

### Encendido y apagado (Fig. D)

#### Encendido

- ◆ Coloque el selector de dirección (2) en posición hacia la izquierda.
- ◆ Pulse el botón I del interruptor de encendido/apagado.

#### Apagado

- ◆ Pulse el botón O del interruptor de encendido/apagado.

**¡Advertencia!** No accione el selector/los interruptores de forma secuencial utilizando movimientos bruscos. La conmutación repentina puede generar picos de corriente que pueden dañar la trituradora.

### Eliminación de obstrucciones

Si el aparato se atasca con ramas demasiado gruesas o duras, o bien con cuerpos extraños, la mayoría de las veces se liberará por sí solo. El sentido de rotación se invertirá automáticamente, soltando el material de nuevo por la parte superior. Para que la rotación vuelva al sentido normal, proceda de la siguiente forma:

- ◆ Apague el aparato y espere a que la hoja de corte se detenga por completo.
- ◆ Vuelva a encender el aparato en rotación hacia delante.

Cuando haya material atascado:

- ◆ Apague el aparato.
- ◆ Coloque el selector de dirección (2) en posición hacia la derecha.
- ◆ Pulse el botón I hasta que elimine el atasco.

**¡Advertencia!** Pueden salir ramas disparadas del embudo de entrada cuando el aparato esté funcionando en sentido inverso.

Si la obstrucción no se ha eliminado:

- ◆ Apague y desenchufe el aparato.
- ◆ Utilice un trozo de madera o el émbolo (8) para aflojar los residuos dentro de la cámara de corte.
- ◆ Vuelva a colocar el enchufe en la toma de alimentación y use el aparato según la descripción anterior para eliminar cualquier residuo.

**¡Advertencia!** Apague y desenchufe el aparato siempre que vaya a retirar una obstrucción. No intente retirar obstrucciones de forma manual por el embudo de entrada ni por la apertura de salida. Mantenga las manos alejadas de la cámara de corte.

### Ajuste de la placa de corte (Fig. F)

Si el aparato no tritura material, será necesario ajustar la placa de corte.

- ◆ Gire el botón de ajuste (7) en sentido horario media vuelta hacia la posición de corte para cortar totalmente el material ligero.
- ◆ Gire el botón de ajuste en sentido antihorario media vuelta hacia la posición de aplastamiento para triturar materiales pesados.

Es posible que sea necesario hacer pasar por el aparato los materiales dos veces para aplastarlos antes de que puedan cortarse por completo.

- ◆ Asegúrese de que la hoja de corte no toque la hoja de yunque para evitar dañar el aparato.

Cuando el material triturado empiece a colgar como una cadena, proceda al siguiente ajuste:

- ◆ Encienda el aparato.
- ◆ Gire muy lenta y ligeramente el botón de ajuste (7) en sentido horario hasta que escuche un ligero sonido de triturado o vea caer por el conducto de descarga una pequeña cantidad de virutas de aluminio. Ahora, se separará el material triturado.

**¡Advertencia!** Asegúrese de que el aparato esté encendido y de que funcione en sentido hacia delante normal. El ajuste de la placa de corte con el aparato apagado puede producir graves daños al aparato.

### Protección contra sobrecargas

Este aparato cuenta con protección contra sobrecargas. Si el aparato se bloquea y el motor se estanca, se apagará automáticamente.

- ◆ Espere 5 minutos aproximadamente a que se restablezca el mecanismo de protección.
- ◆ Desconecte el aparato de la fuente de suministro eléctrico.
- ◆ Elimine la obstrucción siguiendo el procedimiento anterior.
- ◆ Conecte el aparato a la fuente de alimentación.
- ◆ Pulse el botón de protección contra sobrecarga (3).

- ◆ Encienda el aparato.

### Consejos para un uso óptimo

- ◆ Triture los materiales secos al final porque esto ayuda a eliminar el material húmedo de la trituradora.
- ◆ No deje que el material se acumule y composte antes de triturarlo.
- ◆ Puede volver a introducir los recortes en la trituradora otra vez para reducir aún más su volumen.
- ◆ Consulte la tabla que encuentra al final de este texto.

### Mantenimiento

Su aparato o herramienta con o sin cable de BLACK+DECKER ha sido diseñada para funcionar durante un largo período de tiempo con un mantenimiento mínimo. El funcionamiento satisfactorio continuado depende de un cuidado apropiado y una limpieza periódica de la herramienta o aparato.

**¡Advertencia!** Antes de realizar cualquier tarea de mantenimiento en herramientas eléctricas con cable/sin cable:

- ◆ Apague y desenchufe el aparato o herramienta.
- ◆ Limpie periódicamente las ranuras de ventilación de la herramienta/aparato y del cargador con un cepillo suave o un paño seco.
- ◆ Limpie periódicamente la carcasa del motor con un paño húmedo. No utilice limpiadores abrasivos o a base de disolventes.

### Sustitución del enchufe de red (solo para Reino Unido e Irlanda)

Si debe colocar un nuevo enchufe de red:

- ◆ Deseche el enchufe anterior de acuerdo con las normas de seguridad.
- ◆ Conecte el cable marrón al terminal conductor del nuevo enchufe.
- ◆ Conecte el cable azul al terminal neutro.

**¡Advertencia!** No debe realizar ninguna conexión con el terminal de tierra. Siga las instrucciones de montaje suministradas con los enchufes de buena calidad. Fusible recomendado: 5 A.

### Protección del medioambiente



Recogida selectiva. Los productos y las baterías marcadas con este símbolo no deben eliminarse junto con los residuos domésticos normales.

Los productos y las baterías que contienen materiales que se puedan recuperar o reciclar reducen la demanda de materias primas. Recicle los productos eléctricos y las baterías de conformidad con las normas locales.

Puede obtener más información en [www.2helpU.com](http://www.2helpU.com)

### Datos técnicos

		BEGAS5800
Voltaje	V	230
Frecuencia	Hz	50
Potencia de entrada	W	2400 o 2800 (P40)
Velocidad sin carga (hoja)	/min	46
Velocidad sin carga (motor)	/min	2850
Diámetro máximo de corte	mm	45
Peso	Kg	29,6

#### Nivel de presión acústica de acuerdo con la norma EN 50434:

Nivel de presión acústica de emisión ( $L_{pA}$ ) 80 dB(A), incertidumbre (K) 2,5 dB(A)

Nivel de potencia acústica medida ( $L_{WA}$ ) 93 dB(A), incertidumbre (K) 1,7 dB(A)

### Declaración de conformidad CE DIRECTIVA SOBRE MÁQUINAS



Trituradora - BEGAS5800

Black & Decker declara que los productos descritos en "datos técnicos" cumplen las siguientes normas:

2006/42/CE, EN 60335-1:2012 + A11:2014 + A13:2017+A1:2019+A14:2019+A2:2019+A15:2021; EN 50434:2014 2000/14/CE, Trituradora, Anexo V

Nivel de potencia acústica medida ( $L_{WA}$ ) 93 dB(A)  
Incertidumbre (K) 1,7 dB (A)

Potencia acústica garantizada ( $L_{WA}$ ) 95 dB (A)

Estos productos también cumplen con la Directiva 2014/30/UE y 2011/65/UE.

Para más información, póngase en contacto con Black & Decker en la siguiente dirección o consulte la parte posterior del manual.

El abajo firmante es el responsable de la elaboración de la documentación técnica y expide la presente declaración en nombre y representación de Black & Decker.

*Patrick Diepenbach*

Patrick Diepenbach  
Director General, Benelux  
Black & Decker,  
Egide Walschaertsstraat 14-18  
2800 Mechelen, Bélgica  
08/11/2023



## Garantía

Black & Decker confía en la calidad de sus productos y ofrece a los consumidores una garantía de 24 meses a partir de la fecha de compra. Esta garantía es adicional a sus derechos legales y no los menoscaba en modo alguno.

La garantía es válida en los territorios de los Estados Miembros de la Unión Europea, el Área de Libre Comercio Europea y Reino Unido.

Para reclamar la garantía, deberá formular la reclamación de conformidad con las condiciones de Black & Decker, presentando el comprobante de compra al vendedor o al agente técnico autorizado.

Puede obtener las condiciones de la garantía de 2 años de Black & Decker y la ubicación de su agente técnico autorizado más próximo en el sitio web [www.2helpU.com](http://www.2helpU.com) o poniéndose en contacto con su oficina local de Black & Decker en la dirección que se indica en este manual.

Visite nuestro sitio web [www.blackanddecker.co.uk](http://www.blackanddecker.co.uk) para registrar su nuevo producto BLACK+DECKER y recibir noticias sobre nuevos productos y ofertas especiales.

## Utilização prevista

O triturador de jardim BEGAS5800 da BLACK+DECKER™ foi concebido para triturar a maioria dos resíduos de cozinha e jardim, incluindo poda, aparar sebes, ramos e outros resíduos orgânicos de jardim, bem como papel e cartão. Os resíduos triturados são ideais para fins de compostagem ou para obter um volume mais reduzido de resíduos para uma fácil eliminação.

Este triturador de jardim destina-se apenas a utilização doméstica. Foi concebido para utilização descontinua: o tempo recomendado de inserção de material corresponde a 40 % do tempo total de funcionamento do triturador.

Normalmente, a escolha e recolha de material fornece tempo de inactividade suficiente.

## Instruções de segurança

**Atenção!** Quando utilizar aparelhos eléctricos, deve sempre cumprir medidas de segurança básicas, incluindo as seguintes, de modo a reduzir os riscos de incêndio, choque eléctrico e ferimentos pessoais.

- ◆ Leia com atenção o manual na íntegra antes de utilizar este equipamento.
- ◆ A utilização prevista para este equipamento está descrita no manual. A utilização de qualquer acessório ou a execução de qualquer operação com este equipamento que não esteja incluída no presente manual de instruções pode representar um risco de ferimentos.
- ◆ Guarde este manual para referência futura.

## Práticas de funcionamento seguro para trituradoras/estilhaçadoras eléctricas

### Preparação

- ◆ Leia as instruções com atenção. Familiarize-se com os controlos e a utilização correcta da máquina.

- ◆ Nunca deixe que crianças ou pessoas que não estejam familiarizadas com estas instruções utilizem a máquina. As normas locais podem restringir a idade do operador.
- ◆ Tenha em atenção que o operador ou o utilizador é responsável por acidentes ou perigos que possam ocorrer a outras pessoas ou bens.

## **Preparação**

- ◆ Obtenha protecção auricular e óculos de segurança. Utilize-os sempre que estiver a utilizar a máquina.
- ◆ Durante a utilização da máquina, utilize sempre calçado resistente e calças compridas.  
Não trabalhe com a máquina descalço ou com sandálias. Evite utilizar roupas largas ou com cordões ou laços pendurados.
- ◆ Utilize a máquina numa posição recomendada e apenas numa superfície firme e nivelada.
- ◆ Não utilize a máquina numa superfície pavimentada ou com gravilha, porque o material projectado pode causar ferimentos.
- ◆ Antes de utilizar, verifique sempre visualmente se os suportes de trituração, os parafusos dos suportes de fixação e outros elementos de fixação estão seguros, se a caixa não está danificada e se as protecções e os ecrãs estão no respectivo local. Substitua componentes desgastados ou danificados em conjuntos para manter o equilíbrio.

Substitua etiquetas danificadas ou ilegíveis.

- ◆ Antes da utilização, verifique se o cabo de alimentação e a extensão eléctrica apresentam sinais de danos ou desgaste.  
Se o cabo se danificar durante a utilização, desligue o cabo de imediato da fonte de alimentação eléctrica. **NÃO TOQUE NO CABO DE ALIMENTAÇÃO ANTES DE DESLIGAR A FONTE DE ALIMENTAÇÃO ELÉCTRICA.** Não utilize a máquina se o cabo estiver danificado ou desgastado.
- ◆ Nunca utilize a máquina enquanto estiverem pessoas, em especial crianças, ou animais nas proximidades.

## **Funcionamento**

- ◆ Antes de ligar a máquina, certifique-se de que a câmara de alimentação está vazia.
- ◆ Mantenha o rosto e o corpo afastados da abertura de entrada de alimentação.
- ◆ Não coloque as mãos ou outras partes do corpo ou roupa dentro da câmara de compressão, calha de descarga ou perto de peças móveis.
- ◆ Mantenha sempre um equilíbrio apropriado e os pés bem apoiados. Não se estique demasiado quando trabalhar com a ferramenta. Nunca se coloque num plano mais elevado do que a base da máquina quando inserir material.

- ◆ Quando utilizar a máquina, afaste-se sempre da zona de descarga.
- ◆ Quando inserir material na máquina, tenha muita atenção para que não entrem pedaços de metal, pedras, garrafas, latas ou outros objectos estranhos.
- ◆ Se o mecanismo de corte bater em objectos estranhos ou se a máquina começar a fazer ruídos ou vibrações anormais, desligue a fonte de alimentação de imediato e deixe a máquina parar.  
Desligue a máquina da rede eléctrica e tome as seguintes medidas antes de voltar a colocar a máquina em funcionamento:
  - ◆ inspecione se apresenta danos;
  - ◆ substitua ou repare as peças danificadas;
  - ◆ verifique e aperte as peças soltas.
- ◆ Não permita a acumulação de material processado na zona de descarga. Isto pode impedir uma descarga adequada e resultar em ricochete do material através da abertura de entrada de alimentação.
- ◆ Se a máquina ficar entupida, desligue a fonte de alimentação e desligar a máquina da alimentação antes de limpar os resíduos.
- ◆ Nunca trabalhe com a máquina com protecções deficientes, ou sem os dispositivos de segurança montados (colector de resíduos).

- ◆ Mantenha a fonte de alimentação sem resíduos e outras acumulações para evitar danos na fonte de alimentação ou um possível incêndio.
- ◆ Não transporte esta máquina enquanto a fonte de alimentação estiver a funcionar.
- ◆ Pare a máquina e retire a ficha da tomada. Certifique-se de que todas as peças móveis param por completo;
  - ◆ quando não utilizar a máquina,
  - ◆ antes de desobstruir ou desentupir a calha,
  - ◆ antes de verificar, limpar ou utilizar a máquina.
- ◆ Não incline a máquina enquanto a fonte de alimentação estiver a funcionar.

## **Manutenção e armazenamento**

- ◆ Quando a máquina estiver parada para manutenção, inspecção ou armazenamento, ou para substituir um acessório, desligue a fonte de alimentação, desligue a máquina da alimentação e certifique-se de que todas as peças móveis estão completamente paradas. Deixe a máquina arrefecer antes de efectuar qualquer inspecção, regulação, etc. Efectue a manutenção da máquina com cuidado e mantenha-a limpa.
- ◆ Guarde a máquina num local seco fora do alcance das crianças.
- ◆ Deixe sempre a máquina arrefecer antes de a guardar.

- ◆ Quando efectuar a manutenção do suporte de trituração, tenha em atenção que, mesmo que a fonte de alimentação esteja desligada devido à função de bloqueio da protecção, o suporte de trituração ainda pode ser movido.
- ◆ Substitua as peças gastas ou danificadas por peças em boas condições. Utilize apenas peças sobresselentes e acessórios originais.
- ◆ Nunca tente anular a função de encravamento da protecção.

### **Instruções de segurança adicionais para unidades com acessórios de ensacamento**

- ◆ Desligue a máquina antes de colocar ou retirar o saco.

### **Recomendação**

- ◆ A máquina deve ser alimentada por um dispositivo diferencial residual (DDR) com uma corrente de disparo não superior a 30 mA.

### **Segurança de outras pessoas**

- ◆ Este equipamento pode ser utilizado por crianças com 8 anos de idade ou mais e por pessoas que apresentem capacidades físicas, sensoriais ou mentais reduzidas ou que não possuam os conhecimentos e a experiência necessários, se forem vigiadas e instruídas acerca da utilização do equipamento de uma forma segura e entenderem os perigos envolvidos.

- ◆ As crianças não devem mexer no equipamento. A limpeza e manutenção não devem ser efectuadas por crianças sem supervisão.

### **Riscos residuais**

Podem surgir riscos residuais adicionais durante a utilização da ferramenta, que podem não constar nos avisos de segurança incluídos. Estes riscos podem resultar de má utilização, utilização prolongada, etc.

Mesmo que as regulamentações de segurança relevantes sejam cumpridas e os dispositivos de segurança sejam implementados, alguns riscos residuais não podem ser evitados. Estes incluem:

- ◆ Ferimentos causados pelo contacto com peças em movimento.
- ◆ Ferimentos causados pelo contacto com peças quentes.
- ◆ Ferimentos causados durante a troca de peças ou acessórios.
- ◆ Ferimentos causados pela utilização prolongada do equipamento. Quando utilizar um equipamento durante um período prolongado, faça pausas regulares.
- ◆ Danos auditivos.
- ◆ Problemas de saúde causados pela inalação de poeiras resultantes da utilização da ferramenta (exemplo: trabalhos em madeira, especialmente carvalho, faia e MDF.)

- ◆ Se não for possível evitar trabalhar com o cortador de relva num local húmido, utilize um dispositivo diferencial residual (DDR) com uma corrente de corte não superior a 30 mA.  
A utilização de um DDR reduz o risco de choque eléctrico.
- ◆ Nunca levante ou transporte um aparelho quando o motor estiver em funcionamento.

## Protecção contra choques eléctricos

- ◆ O equipamento deve ser ligado a uma tomada ou extensão com ligação à terra.
- ◆ A segurança eléctrica pode ser melhorada com um dispositivo diferencial residual (DCR) de elevada sensibilidade (30 mA/30 mS).
- ◆ O equipamento é concebido para utilização apenas em fontes de alimentação CA (rede eléctrica). Não tente utilizá-lo com qualquer outro tipo de alimentação.

## Extensões eléctricas

- ◆ Quando utilizar o equipamento ao ar livre, utilize apenas extensões concebidas para esse fim.
- ◆ Podem ser utilizadas extensões de três fios 1,5 mm<sup>2</sup> até 25 m sem perda de potência.
- ◆ Utilize sempre as extensões afastadas de peças móveis perigosas, que podem entrar em contacto com peças sob tensão.

## Funcionamento

- ◆ Antes de ligar o equipamento, inspeccione a câmara de compressão para ter a certeza de que está vazia.
- ◆ Mantenha o rosto e o corpo afastados da abertura de entrada de inserção, os ramos compridos podem saltar quando forem puxados pelo dispositivo de corte. Não coloque as mãos ou outras partes do corpo ou roupa dentro da câmara de compressão, calha de descarga ou perto de peças móveis.
- ◆ Mantenha sempre um equilíbrio apropriado e os pés bem apoiados. Não se estique demasiado quando trabalhar com a ferramenta. Nunca se coloque num plano mais elevado do que a base do equipamento quando inserir material.
- ◆ Quando utilizar o equipamento, afaste-se sempre da zona de descarga.
- ◆ Quando inserir material no equipamento, tenha muita atenção para que não entrem pedaços de metal, pedras, garrafas, latas ou outros objectos estranhos.
- ◆ Se o mecanismo de corte bater em objectos estranhos ou se o equipamento emitir ruídos ou vibrações invulgares, desligue o equipamento, retire a ficha da corrente eléctrica e aguarde até o equipamento parar.
  - ◆ Inspeccione se o equipamento apresenta danos.
  - ◆ Verifique e aperte as peças soltas.

- ◆ Peça a um técnico autorizado para reparar ou substituir as peças danificadas ou avariadas por peças originais.
- ◆ Não permita a acumulação de material processado na zona de descarga. Isto pode impedir uma descarga adequada e resultar em ricochete do material através da abertura de entrada de alimentação.
- ◆ Se o equipamento ficar obstruído, desligue o equipamento, retire a ficha da corrente eléctrica, aguarde até o equipamento parar e depois retire os resíduos.
- ◆ Mantenha todas as protecções e deflectores instalados e em boas condições de funcionamento.
- ◆ Não desloque ou incline o equipamento quando estiver a utilizá-lo.
- ◆ Não deixe o equipamento sem vigilância. Quando sair da área de trabalho, desligue o equipamento, retire a ficha da corrente eléctrica e aguarde até o equipamento parar. Esteja atento às crianças para que não brinquem com a ferramenta.
- ◆ Não transporte o equipamento enquanto estiver ligado à fonte de alimentação.
- ◆ Desligue sempre o equipamento da fonte de alimentação:
  - ◆ antes de eliminar um bloqueio;
  - ◆ antes de verificar, limpar ou utilizar a máquina;

- ◆ se bater num objecto estranho para inspeccionar se o equipamento apresenta danos;
- ◆ se a máquina começar a vibrar de maneira anormal;

## Manutenção e armazenamento

- ◆ Quando parar o equipamento para manutenção, inspecção ou armazenamento ou para substituir um acessório, desligar o equipamento ou retirar a ficha da corrente eléctrica. Antes de efectuar inspecções, ajustes, etc., certifique-se de que todas as peças móveis param por completo.
- ◆ Guarde o equipamento num local seco e fechado. As crianças não devem ter acesso a equipamentos armazenados.

## Etiquetas no equipamento

Os seguintes pictogramas são apresentados na ferramenta, em conjunto com o código de data (19), que também inclui o ano de fabrico, impresso na caixa.

Exemplo:

2023 XX XX:



**Atenção!** Antes de utilizar o equipamento, leia o manual.



Perigo: lâminas rotativas. Mantenha as mãos e pés afastados das aberturas.



Não utilize a ferramenta em condições húmidas nem a exponha à chuva.



Utilize óculos ou viseiras de protecção quando utilizar este equipamento.



Utilize protecções auditivas adequadas quando utilizar o equipamento.



Retire sempre a ficha da tomada antes da limpeza ou manutenção. Tenha o cuidado de não utilizar o equipamento se o cabo estiver danificado.



Desligue a ficha de alimentação se o cabo estiver danificado ou emaranhado.



Aguarde até o equipamento parar por completo antes de tocar.



Esteja atento à projecção de objectos. Mantenha as pessoas afastadas da área de corte.



Use luvas quando utilizar esta ferramenta.



Não utilize o equipamento como degrau.



A potência sonora está em conformidade com a Directiva 2000/14/CE.

## Segurança eléctrica



**Atenção! Atenção!** Este produto deve ter ligação à terra. Verifique sempre se a fonte de alimentação corresponde à tensão indicada na placa sinalética.

- ◆ Se o cabo de alimentação estiver danificado, tem de ser substituído pelo fabricante ou por um centro de assistência autorizado da BLACK+DECKER para evitar acidentes.
- ◆ A segurança eléctrica pode ser melhorada mediante a utilização de um dispositivo diferencial residual (RCD) de sensibilidade elevada, 30 mA.

## Acessórios

Este equipamento inclui todos ou parte dos seguintes acessórios.

1. Interruptor para ligar/desligar
2. Selector de sentido
3. Botão de protecção contra sobrecargas
4. Funil
5. Suporte
6. Caixa de recolha
7. Botão de ajuste
8. Êmbolo
9. Entrada do equipamento (para utilização apenas nos modelos europeus que não são fornecidos com um cabo de alimentação)

## Montagem

**Atenção!** Antes da montagem, certifique-se de que o equipamento está desligado e que não está ligado à corrente eléctrica.

### Fixação das rodas no suporte (Fig. A1 e A2)

- ◆ Vire o suporte ao contrário e deslize o eixo da roda (11) no tubo do eixo
- ◆ Coloque uma anilha (14) e um rolamento de roda (13) em cada extremidade do eixo.
- ◆ Insira as rodas (12) no eixo (11), de modo a que fique virado para elas, como indicado na Figura A2.
- ◆ Coloque uma anilha (14a) na parte de fora de cada roda.
- ◆ fixe as rodas em conjunto com as porcas (10).
- ◆ Encaixe os tampões de cubo (9).
- ◆ Fixe os pés (16) no suporte (5), utilizando os parafusos com anilha e anilha de segurança (18), como indicado na Figura A1

### Fixação da unidade motora no suporte (Fig. B)

- ◆ Alinhe os orifícios na unidade motora com os orifícios correspondentes no suporte (5).

- ◆ Introduza os parafusos com a anilha e a anilha de segurança (18) através da unidade motora e no suporte.

### Fixação do funil superior (Fig. C1)

- ◆ Alinhe os orifícios do funil superior (4) com os orifícios correspondentes da unidade motora e fixe com os parafusos sem anilha e com a anilha de segurança (17)

### Instalar a caixa de recolha (Fig. C1 e C2)

- ◆ Encaixe a caixa de recolha (6) no suporte (5) para garantir que o interruptor de segurança (6a) fica bloqueado em segurança.

**Nota:** A unidade só funciona se o interruptor de segurança (6a) estiver engatado.

### Utilização

**Atenção!** Não altere o ritmo de funcionamento da ferramenta. Não a sobrecarregue.

- ◆ Só deve desligar o equipamento depois de esvaziá-lo por completo, porque pode ficar obstruído e pode ser difícil voltar a ligá-lo.
- ◆ Retire a terra e as pedras das raízes das plantas antes de triturar os resíduos.
- ◆ Segure os ramos com firmeza quando inseri-los no triturador.
- ◆ Utilize o êmbolo (8) quando for necessário inserir material no triturador, como indicado na Figura E.

### Ligar e desligar (Fig. D)

#### Ligar

- ◆ Coloque o selector de sentido (2) na posição esquerda.
- ◆ Carregue no botão I do interruptor para ligar/desligar.

#### Desligar

- ◆ Carregue no botão O do interruptor para ligar/desligar.

**Atenção!** Não utilize o selector de sentido/interruptores em sequência com movimentos abruptos. Uma mudança súbita pode resultar em picos de corrente e danificar o triturador.

### Retirar um obstáculo

Se o equipamento ficar encravado com ramos demasiado grossos ou duros, ou objectos estranhos, o triturador liberta-se automaticamente na maioria das vezes. O sentido de rotação é invertido automaticamente, libertando assim o material de novo através da parte superior. Para repor a rotação para a posição normal, proceda do seguinte modo:

- ◆ Desligue o equipamento e aguarde até a lâmina de corte parar por completo.
- ◆ Volte a ligá-lo com o equipamento regulado para a rotação de avanço.

Se o material ficar encravado:

- ◆ Desligue o equipamento.
- ◆ Coloque o selector de direcção (2) na posição direita.
- ◆ Carregue no botão I até a obstrução ser removida.

**Atenção!** Os ramos podem ser projectados do funil de entrada quando o equipamento estiver a funcionar no sentido inverso.

Se o bloqueio não for retirado:

- ◆ Desligar e retirar da tomada o aparelho.
- ◆ Utilize um pedaço de madeira ou o êmbolo (8) para soltar os resíduos no interior da câmara de corte.
- ◆ Volte a inserir a ficha na tomada eléctrica e utilize o equipamento como descrito acima para retirar os resíduos.

**Atenção!** Quando retirar um bloqueio, desligue sempre o equipamento e retire a ficha da tomada. Não retire os bloqueios com a mão através do funil de entrada ou da abertura de saída. Mantenha as mãos afastadas da câmara de corte.

### Ajustar a placa de corte (Fig. F)

Se o equipamento não triturar material, a placa de corte tem de ser ajustada.

- ◆ Rode o botão de ajuste (7) meia volta para a direita na direcção da posição de corte para cortar material leve por completo.
- ◆ Rode o botão de ajuste meia volta para a esquerda na direcção da posição de esmagamento para triturar material duro.  
Pode ser necessário inserir o material duas vezes para esmagá-lo antes de cortá-lo por completo.
- ◆ Certifique-se de que a lâmina de corte não toca na contra-lâmina para evitar danos no equipamento.

Se o material triturado ficar pendurado como uma corrente, ajuste-o do seguinte modo:

- ◆ Ligue o equipamento.
- ◆ Rode o botão de ajuste (7) muito devagar e ligeiramente para a direita até ouvir um ruído de raspar ligeiro ou quando uma pequena quantidade de aparas de alumínio saírem da calha de descarga. O material triturado é separado.

**Atenção!** Certifique-se de que o equipamento está ligado e a funcionar na direcção de avanço normal. Se ajustar a placa de corte enquanto o equipamento estiver desligado pode causar danos graves no equipamento.

### Protecção contra sobrecargas

Este equipamento tem uma protecção contra sobrecargas.

Se o equipamento ficar bloqueado e o motor parar de girar, a alimentação é desligada automaticamente.

- ◆ Aguarde cerca de 5 minutos até a protecção ser reposta.
- ◆ Desligue o equipamento da corrente eléctrica.
- ◆ Retire a obstrução como descrito acima.
- ◆ Ligue o equipamento à corrente eléctrica.
- ◆ Carregue no botão de protecção contra sobrecargas (3).
- ◆ Ligue o equipamento.



## Sugestões para uma utilização óptima

- ◆ Triture os materiais mais tarde, uma vez que isto pode ajudar a retirar o material húmido do triturador.
- ◆ Não permita a acumulação de material e compósito antes da trituração.
- ◆ Pode inserir de novo o material triturado no triturador para reduzir o volume.
- ◆ Consulte o gráfico no final deste texto.

## Manutenção

O seu equipamento/ferramenta com/sem fio da BLACK+DECKER foi concebido para funcionar durante muito tempo, com um mínimo de manutenção.

O funcionamento contínuo e satisfatório depende de uma manutenção adequada e limpeza regular da ferramenta/equipamento.

**Atenção!** Antes de proceder a qualquer acção de manutenção em ferramentas eléctricas com cabo/sem cabo:

- ◆ Desligue o equipamento/ferramenta e retire a ficha da tomada.
- ◆ Limpe regularmente as ranhuras de ventilação da ferramenta/equipamento e do carregador com uma escova suave ou um pano seco.
- ◆ Limpe com frequência o compartimento do motor com um pano húmido. Não utilize produtos de limpeza abrasivo ou à base de solventes.

## Substituição da ficha de alimentação (apenas Reino Unido e Irlanda)

Se for necessário instalar uma nova ficha de alimentação:

- ◆ Elimine a ficha antiga em segurança.
- ◆ Ligue o cabo castanho ao terminal sob tensão na nova ficha.
- ◆ Ligue o cabo azul ao terminal neutro.

**Atenção!** Não deve ser efectuada qualquer ligação ao terminal de terra. Siga as instruções de instalação fornecidas com fichas de boa qualidade. Fusível recomendado: 5A.

## Proteger o ambiente



Faça uma recolha de lixo selectiva. Os produtos e as baterias assinalados com este símbolo não devem ser eliminados em conjunto com o lixo doméstico normal.

Os produtos e baterias contêm materiais que podem ser recuperados ou reciclados, reduzindo a necessidade de matérias-primas. Recicle os produtos eléctricos e as baterias de acordo com as disposições locais.

Estão disponíveis mais informações em [www.2helpU.com](http://www.2helpU.com)

## Dados técnicos

		BEGAS5800
Tensão	V	230
Frequência	Hz	50

		BEGAS5800
Potência de entrada	A	2400 ou 2800 (P40)
Velocidade sem carga (lâmina)	/min	46
Velocidade sem carga (motor)	/min	2850
Diâmetro máx. de corte	mm	45
Peso	Kg	29,6

### Nível de pressão sonora de acordo com a norma EN 50434:

Nível de pressão da pressão sonora ( $L_{pA}$ ): 80 dB(A), variabilidade (K): 2,5 dB(A)

Nível de potência sonora medida ( $L_{WA}$ ): 93 dB(A), variabilidade (K): 1,7 dB(A)

## Declaração de conformidade CE DIRECTIVA "MÁQUINAS"



BEGAS5800 – Tritrador

A Black & Decker declara que os produtos descritos nos "dados técnicos" estão em conformidade com: 2006/42/CE, EN 60335-1:2012 + A11:2014 + A13:2017+A1:2019+A14:2019+A2:2019+A15:2021; EN 50434:2014 2000/14/CE, triturador, anexo V  
Nível de potência acústica medida ( $L_{WA}$ ) 93 dB(A)  
Imprecisão (K) = 1,7 dB(A)  
Potência acústica garantida ( $L_{WA}$ ) 95 dB(A)  
Estes produtos respeitam também a Directiva 2014/30/UE e 2011/65/UE.

Para obter mais informações, contacte a Black & Decker através do endereço seguinte ou consulte o verso do manual. O abaixo-assinado é responsável pela compilação do ficheiro técnico e faz esta declaração em nome da Black & Decker.

*Patrick Diepenbach*

Patrick Diepenbach  
Director-Geral, Benelux  
Black & Decker,  
Egide Walschaertsstraat 14-18  
2800 Mechelen, Bélgica  
08/11/2023

## Garantia

A Black & Decker confia na qualidade dos seus produtos e oferece aos clientes uma garantia de 24 meses a partir da data de compra. Esta garantia é um complemento dos seus direitos estabelecidos por lei, não os prejudicando de forma alguma.

A garantia é válida nos territórios dos Estados-membros da União Europeia, na Zona Europeia de Comércio Livre e no Reino Unido.

Para accionar a garantia, esta deve estar em conformidade com os termos e condições da Black & Decker e tem de apresentar comprovativos de compra ao vendedor ou a um técnico de reparação autorizado.

Os termos e condições da garantia de 2 anos da Black & Decker e a localização do técnico de reparação autorizado mais próximo podem ser obtidos na Internet em [www.2helpU.com](http://www.2helpU.com) ou contactando uma filial da Black & Decker, cuja morada está indicada neste manual.

Visite o nosso Website [www.blackanddecker.co.uk](http://www.blackanddecker.co.uk) para registar o novo produto da BLACK+DECKER e manter-se actualizado relativamente a novos produtos e ofertas especiais.

## Avsedd användning

Din BLACK+DECKER™ kompostkvarn BEGAS5800 har designats för att strimla de mesta köks- och trädgårdsavfall, inklusive kvistar, häckklipp, grenar och annat organiskt trädgårdsavfall samt papper och kartong. Denna kompostkvarn är idealisk för kompostering eller för att få små volymer av avfall för att lättare kunna avyttra detta. Denna kompostkvarn är endast avsedd för konsumentbruk. Den är avsedd för periodisk användning: det rekommenderade materialmatningstiden är 40 % av den totala körtiden av kvarnen. Urval och hämtnings av material kommer normalt att ge tillräckligt med tomgångstid.

## Säkerhetsinstruktioner

**Varning! Grundläggande säkerhetsföreskrifter, inklusive nedanstående, ska alltid följas vid användning av nätdrivna redskap så att brand, elektriska stötar, personskador förhindras.**

- ◆ Läs igenom hela den här bruksanvisningen noggrant innan du använder apparaten.
- ◆ Avsedd användning beskrivs i den här bruksanvisningen. Användning av andra tillbehör eller tillsatser eller andra åtgärder som utförs med redskapet än de som rekommenderas i den här bruksanvisningen kan leda till personskador.
- ◆ Spara den här bruksanvisningen för framtida bruk.

## Säkra driftsmetoder för motorförstörare/flismaskin

### Utbildning

- ◆ Läs de här anvisningarna noggrant. Bekanta dig med reglagen och ta reda på hur maskinen ska användas.
- ◆ Låt aldrig barn eller personer som inte har läst de här instruktionerna använda maskinen.

Det kan finnas lokala bestämmelser om åldersgräns för användaren.

- ◆ Kom ihåg att det är användaren som ansvarar för olyckor och risker som andra människor eller deras egendom utsätts för.

## Förberedelse

- ◆ Skaffa hörselskydd och skyddsglasögon. Bär dem hela tiden när du använder maskinen.
- ◆ Bär alltid kraftiga skor och långbyxor när du använder maskinen. Var inte barfota och bär inte sandaler med öppen tå när du använder maskinen. Undvik kläder som är löst sittande eller med hängande snören eller band.
- ◆ Använd maskinen i en rekommenderad position och endast på en stadig, jämn yta.
- ◆ Använd inte maskinen på en grusad eller stenlagd yta där utmatat material kan orsaka skador.
- ◆ Innan användning, inspektera alltid visuellt för att se att strimlingsanordningar, bultar till strimlingsanordningar och andra fästen är säkra, höljet är oskadat och att skydd och såll är på plats. Byt ut slitna eller skadade komponenter i set för att bevara balansen. Byt ut skadade eller oläsliga etiketter.
- ◆ Innan användning kontrollerar du om el- och förlängningssladden visar tecken på skador eller åldrande.

Om sladden skadas när du använder redskapet kopplar du omedelbart bort sladden från elnätet. RÖR INTE VID SLADDEN INNAN DEN KOPPLATS IFRÅN UTTAGET. Använd inte maskinen om sladden är skadad eller sliten.

- ◆ Använd inte maskinen i närheten av andra människor, främst barn eller husdjur.

## Användning

- ◆ Se till att matningskammaren är tom innan du startar maskinen.
- ◆ Håll ansikte och kropp borta från foderintagsöppningen.
- ◆ Låt inte händerna eller andra delar av kroppen eller kläder komma in i matningskammaren, utmataren eller nära rörliga delar.
- ◆ Ha ordentligt fotfäste och balans hela tiden. Böj dig inte för långt. Stå aldrig på en högre nivå än basen på apparaten när material matas in i den.
- ◆ Stå alltid på avstånd från lossningsområdet när apparaten används.
- ◆ Vid matning av material in i apparaten var extremt noga att inte delar av metall, sten, flaskor, burkar eller andra främmande föremål följer med.
- ◆ Om skärmekanismen träffar något främmande föremål eller om apparaten börjar avge några onormala ljud eller vibrationer, stäng av apparaten och låt apparaten stanna helt.

Koppla bort maskinen från elnätet och utför följande steg innan du startar om och använder maskinen:

- ◆ inspektera skador;
  - ◆ byta ut eller reparera skadade delar;
  - ◆ kontrollera och dra åt alla lösa delar.
- ◆ Låt inte processat material samlas i utmatarområdet, detta kan förhindra korrekt utmatning och kan resultera i rekyl av materialet genom inmatningsöppningen.
- ◆ Om maskinen blir igensatt, stäng av strömkällan och koppla bort maskinen från strömförsörjningen innan du rengör skräp.
- ◆ Använd inte apparaten om skydd eller skyddsplåtar är trasiga eller om säkerhetsanordningarna, t.ex. uppsamlaren, inte är monterade.
- ◆ Håll strömkällan ren från skräp och andra ansamlingar för att förhindra skador på strömkällan eller eventuell brand.
- ◆ Transportera inte maskinen medan strömkällan är påslagen.
- ◆ Stoppa maskinen och dra ut kontakten ur uttaget. Se till att alla rörliga delar har stannat helt;
- ◆ varje gång du lämnar maskinen,
  - ◆ innan du rensar blockeringar eller täpper igen rännan,
  - ◆ innan du kontrollerar, rengör eller arbetar med maskinen.
- ◆ Luta inte maskinen medan strömkällan är påslagen.

## Underhåll och förvaring

- ◆ När maskinen stoppas för service, inspektion eller förvaring, eller för att byta tillbehör, stäng av strömkällan, koppla bort maskinen från strömförsörjningen och se till att alla rörliga delar har stannat helt. Låt maskinen svalna innan du gör några inspektioner, justeringar etc. Underhåll maskinen noggrant och håll den ren.
- ◆ Förvara maskinen på en torr plats utom räckhåll för barn.
- ◆ Låt alltid maskinen svalna innan den förvaras.
- ◆ Vid service av strimlingsanordningar, var medveten om att, även om strömkällan är avstängd på grund av skyddets spärrfunktion, kan strimlingsanordningarna fortfarande flyttas.
- ◆ Byt slitna eller skadade delar av säkerhetsskäl. Använd endast äkta reservdelar och tillbehör i original.
- ◆ Försök aldrig att åsidosätta skyddets förreglade funktion.

## Ytterligare säkerhetsinstruktioner för enheter med säcktillbehör

- ◆ Stäng av maskinen innan du sätter på eller tar bort påsen.

## Rekommendation

- ◆ Maskinen bör matas via en jordfelsbrytare (RCD) med en utlösningsström på högst 30 mA.

## Säkerhet för andra

- ♦ Apparaten kan användas av barn från åtta år och personer med nedsatt fysisk eller psykisk förmåga eller bristande erfarenhet eller kunskap, om de övervakas och får instruktioner om användningen av apparaten och är medvetna om riskerna.
- ♦ Barn ska inte leka med apparaten. Rengöring och användarunderhåll ska inte utföras av barn utan övervakning.

## Återstående risker

Ytterligare risker som inte finns med i de bifogade säkerhetsanvisningarna kan uppstå när verktyget används. Dessa risker kan uppstå vid felaktig eller långvarig användning, etc.

Även om alla relevanta säkerhetsanvisningar följs och säkerhetsanordningar används kan vissa ytterligare risker inte undvikas. Dessa omfattar:

- ♦ Skador orsakade av att rörliga delar vidrörs.
- ♦ Skador orsakade av att varma delar vidrörs.
- ♦ Skador som uppstår vid byte av delar eller tillbehör.
- ♦ Skador som orsakas av långvarig användning av apparaten. Se till att ta regelbundna pauser när du använder en apparat under en längre period.
- ♦ Hörselnedsättning.
- ♦ Hälsorisker till följd av inandning av damm när apparaten används (exempel: arbete med trämaterial, särskilt ek, bok och MDF).

- ♦ Om användning av kvarnen i en fuktig miljö inte kan undvikas bör en jordfelsbrytare användas med en fränslagningsström på inte mer än 30 mA användas. Användning av en jordfelsbrytare minskar risken för elektrisk stöt.
- ♦ Lyft aldrig upp eller bär en apparat medan motorn körs.

## Förebygg risk för elektriska stötar

- ♦ Apparaten måste anslutas till ett uttag eller en förlängningskabel som har en jordanslutning.
- ♦ Elsäkerheten kan förbättras ytterligare genom att man använder en jordfelsbrytare med hög känslighet (30 mA / 30 mS).
- ♦ Din apparat är designad att endast användas med växelström. Försök inte att använda någon annan strömförsörjning.

## Förlängningskablar

- ♦ Använd endast förlängningssladdar som är godkända för utomhusbruk när du använder apparaten utomhus.
- ♦ Upp till 25 m 1,5 mm<sup>2</sup> 3-kärnig förlängningskabel kan användas utan att effekten försämras.
- ♦ Håll alltid förlängningskablar borta från rörliga farliga delar för att undvika skador på kabeln vilket kan leda till kontakt med strömförande delar.

## Användning

- ♦ Innan apparaten startas titta i matningskammaren för att säkra att den är tom.

- ◆ Håll ansikte och kropp borta från matningsintagets öppning, långa grenar kan piska ut när de dras in av kapverktyget. Låt inte händerna eller andra delar av kroppen eller kläder komma in i matningskammaren, utmataren eller nära rörliga delar.
- ◆ Ha ordentligt fotfäste och balans hela tiden. Böj dig inte för långt. Stå aldrig på en höger nivå än basen på apparaten när material matas in i den.
- ◆ Stå alltid undan från utmatarområdet när apparaten används.
- ◆ Vid matning av material in i apparaten var extremt noga att inte delar av metall, sten, flaskor, burkar eller andra främmande föremål följer med.
- ◆ Om skärmekanismen träffar något främmande föremål eller om apparaten börjar avge några onormala ljud eller vibrationer, stäng av apparaten och låt apparaten stanna.
  - ◆ Inspektera om apparaten skadats.
  - ◆ Kontrollera och dra åt alla lösa delar.
  - ◆ Låt en auktoriserad reparatör byta ut eller reparera skadade eller defekta delar mot originaldelar.
- ◆ Låt inte processat material samlas i utmatarområdet, detta kan förhindra korrekt utmatning och kan resultera in rekyl av materialet genom inmatningsöppningen.
- ◆ Om apparaten sätts igen, stäng av apparaten, ta bort kontakten från elnätet och låt apparaten stoppa innan skräpet tas bort.
- ◆ Håll alla skydd och deflektorer på plats och i god funktion.
- ◆ Transportera inte apparaten eller luta den medan den är i gång.
- ◆ Lämna aldrig apparaten oövervakad. Närhelst du lämnar apparatområdet, stäng av apparaten, ta bort kontakten från elnätet och låt apparaten stoppa. Barn måste hållas under uppsikt så att de inte leker med verktyget.
- ◆ Luta inte apparaten medan strömkällan är påslagen.
- ◆ Koppla alltid bort strömkällan:
  - ◆ innan du tar bort en blockering;
  - ◆ innan du kontrollerar, rengör eller arbetar med maskinen;
  - ◆ efter att ha träffat ett främmande föremål och maskinen skall kontrolleras om där finns skador;
  - ◆ om maskinen börjar vibrera på ett onormalt sätt;

## Underhåll och förvaring

- ◆ När apparaten stoppas för service eller förvaring eller för att byta ett tillbehör, stäng av apparaten och ta bort kontakten från elnätet. Se till att alla rörliga delar har stannat helt innan någon inspektion, justering etc. görs.
- ◆ Förvara apparaten på en torr och låst plats. Placera apparaten på ett ställe där barn inte kan komma åt den.

## Etiketter på apparaten

Följande piktogram visas på verktyget tillsammans med datumkoden (19), som även inkluderar tillverkningsår, tryckt i höljet.

Exempel:  
2023 XX XX:



**Varning!** Läs bruksanvisningen innan användning.



Fara - roterande blad. Håll händer och fötter undan från öppningar.



Använd inte verktyget under fuktiga förhållanden eller om det regnar.



Bär alltid skyddsglasögon när du använder denna apparat.



Bär lämpliga hörselskydd när du använder apparaten.



Ta alltid bort kontakten från uttaget innan rengöring eller underhåll. Använd aldrig redskapet om sladden är skadad.



Koppla ifrån elkontakten om sladden skadas eller trasslar ihop sig.



Vänta tills den stannat helt innan den vidrörs.



Se upp för flygande föremål. Håll andra personer borta från arbetsområdet.



Bär handskar när du använder verktyget.



Använd inte som en stege.



Garanterad ljudnivå enligt direktiv 2000/14/EG.

## Elsäkerhet



**Varning!** Varning! Produkten måste skyddsjordas. Kontrollera alltid så att spänningen på nätet motsvarar den spänning som finns angiven på märkplåten.

- ◆ Om nätsladden är skadad måste den bytas ut av tillverkaren eller en auktoriserad BLACK+DECKER-verkstad för att undvika farliga situationer.
- ◆ Elsäkerheten kan förbättras ytterligare genom att man använder en jordfelsbrytare med hög känslighet (30 mA).

## Funktioner

Denna apparat har några eller samtliga av följande funktioner.

1. Strömbytare
2. Riktningväljare
3. Knapp överbelastningsskydd
4. Tratt
5. Stativ
6. Uppsamlingsbehållare
7. Inställningsratt
8. Kolv
9. Apparatintag (endast för användning på europeiska modeller som inte levereras med strömkabel)

## Montering

**Varning!** Se till att apparaten är avstängd samt att den inte är ansluten innan du påbörjar monteringen.

### Sätta fast hjulen på ställningen (bild A1 och A2)

- ◆ Vänd ställningen upp och ned och skjut hjulaxeln (11) in i axelröret
- ◆ Fäst en bricka (14) och ett hjullager (13) på varje ände av axeln.

- ◆ Fäst hjulen (12) på axeln (11), se till att rikta in dem såsom visas i bild A2.
- ◆ Fäst en bricka (14a) på utsidan av varje hjul.
- ◆ skruva fast hjulen på plats med muttrarna (10).
- ◆ Fäst hjulkapslarna (9).
- ◆ Fäst fötterna (16) på stativet (5) med skruvarna med bricka och låsbricka (18) som visas i figur A1

### Fäst motorenheten på ställningen (bild B)

- ◆ Rikta in hålen på motorn mot motsvarande hålen på ställningen (5).
- ◆ Sätt in skruvarna med bricka och låsbricka (18) genom motorenheten och in i stativet.

### Fästa övre tratt (bild C1)

- ◆ Rikta in hålen på den övre tratten (4) med motsvarande hål på motorenheten och fäst med skruvarna utan bricka och låsbricka (17)

### Montering av uppsamlingsbehållaren (bild C1 och C2)

- ◆ Skjut uppsamlingsbehållaren (6) in i ställningen (5) se till att säkerhetsomkopplaren (6a) låses fast.

**OBSERVERA:** Enheten kommer inte att fungera om inte säkerhetsomkopplaren (6a) är aktiverad.

### Användning

**Varning!** Låt verktyget arbeta i sin egen takt. Överbelasta det inte.

- ◆ Stäng inte av apparaten innan den är helt tom, eftersom den kan sättas igenom och vara svår att starta om.
- ◆ Ta bort jord och stenar från planrötter innan malning.
- ◆ Håll fast stora grenar när de matas in i kvarnen.
- ◆ Använd påskjutaren (8) när så krävs för att mata material såsom visas i bild E.

### Slå på och stänga av (bild D)

#### Slå på

- ◆ Ställ in riktningsväljaren (2) i vänstra positionen.
- ◆ Tryck på I knappen på strömbrytaren.

#### Stänga av

- ◆ Tryck på O knappen på strömbrytaren.

**Varning!** Använd inte riktningsväljaren/omkopplare i sekvens med plötsliga rörelser. Sådan omkoppling kan generera strömspikar som potentiellt kan skada kvarnen.

### Borttagning av en blockering

Om apparaten blockeras av grenar om är alltför tjocka eller håra eller främmande föremål kommer kvarnen i de flesta fall lösgöra detta själv automatiskt. Rotationsriktningen kommer automatiskt att backa och därmed lossa materialet bakåt genom ovsidan. För att återföra rotationen bakåt normal rotation, gör enligt följande:

- ◆ Stäng av och vänta tills skärbladet ha stannat helt.
- ◆ Slå på igen med apparaten inställd på rotation framåt.

När materialet har fastnat:

- ◆ Stäng av apparaten.
- ◆ Ställ in riktningsväljaren (2) i högra positionen.
- ◆ Tryck på I knappen tills blockeringen är borta.

**Varning!** Grenar kan matas ut från inmatningstratten när apparaten körs i backläge.

Om blockeringen inte rensas:

- ◆ Stäng av apparaten och dra ur nätkontakten.
- ◆ Använd en trädbit eller påskjutaren (8) för att lossa skräpet i skärkammaren.
- ◆ Sätt tillbaka kontakten och använd apparaten såsom beskrivs ovan för att ta bort skräp.

**Varning!** Stäng alltid av och koppla ifrån apparaten när en blockering tas bort. Försök inte att ta bort blockeringar för hand genom inmatningstratten eller utmatningsöppningen. Håll händerna utanför skärkammaren.

### Justera huggplattan (bild F)

Huggplattan behöver justeras om apparaten misslyckas att mala material.

- ◆ Vrid på inställningsratten (7) medurs ett halv varv in i skärpositionen för såga igenom lätt material helt.
- ◆ Vrid på inställningsratten- moturs ett halv varv in i krosspositionen för mala igenom kraftigt material. Material kan behöva köras genom apparaten två gånger för att krossa materialen innan skärningen är komplett.
- ◆ Se till att skärbladet inte vidrör mothållsbladet för att undvika skador på apparaten.

När den malda materialet börjar hänga som en kedja, justera enligt följande:

- ◆ Slå på apparaten.
- ◆ Vrid inställningsratten långsamt och lägg (7) medurs till du hör ett lätt malande ljud eller en liten mängd aluminiumspån faller ut genom utmataren. De malda materialet skal nu vara separerat.

**Varning!** Se till att apparaten är påslagen och arbetar i normal riktning framåt. Justering av skärplattan medan apparaten är avstängd kan elda till allvarliga skador på apparaten.

### Överbelastningsskydd

Denna apparat har ett överbelastningsskydd. Om apparaten blockeras och motorn tjuvstannar kommer strömmen automatiskt att stängas av.

- ◆ Vänta ungefär 5 minuter på att skyddet skall återställas.
- ◆ Koppla bort apparaten från elnätet.
- ◆ Rensa blockeringen såsom beskrivs ovan.
- ◆ Koppla bort apparaten från elnätet.
- ◆ Tryck på knappen för överbelastningsskydd (3).
- ◆ Slå på apparaten.

### Tips för optimal användning

- ◆ Lam torr material sist eftersom det kommer att hjälpa till att rensa bort fuktigt material från kvarnen.



- ◆ Låt inte material staplas och komposteras innan malningen.
- ◆ Du kan mata malet material genom en andra gång för att ytterligare minska dess volym.
- ◆ Se tabellen i slutet av denna text.

Ljudtrycksnivå enligt EN 50434:
Utsläpp ljudtrycksnivå ( $L_{pa}$ ) 80 dB(A), osäkerhet (K) 2,5 dB(A)
Uppmätt ljudtrycksnivå ( $L_{wa}$ ) 93 dB(A), osäkerhet (K) 1,7 dB(A)

## Underhåll

Din kabelanslutna/sladdlösa BLACK+DECKER-apparat/ verktyg är konstruerad för att fungera en lång tid med minsta möjliga underhåll.

Med rätt underhåll och regelbunden rengöring behåller verktyget/apparaten sin funktion.

**Varning!** Innan några som helst serviceåtgärder genomförs på kabelanslutna/sladdlösa elverktyg:

- ◆ Stäng av apparaten/verktyget och dra ur nätkontakten.
- ◆ Rengör regelbundet redskapets/verktygets/laddarens luftintag med en mjuk borste eller torr trasa.
- ◆ Rengör motorkåpan regelbundet med en fuktig trasa. Använd aldrig rengöringsmedel med lösnings- eller slipmedel.

## Byte av elkontakten (endast Storbritannien och Irland)

Om en ny elkontakt måste monteras:

- ◆ Gör dig av med den gamla kontakten på lämpligt sätt.
- ◆ Anslut den bruna ledaren till spänningsförande polen på den nya kontakten.
- ◆ Anslut den blå ledningen till den icke strömförande anslutningen.

**Varning!** Ingenting bör kopplas till jordanslutningen. Följ de monteringsanvisningar som följer med kontakter av god kvalitet. Rekommenderad säkring: 5 A.

## Miljöskydd



Separat insamling. Produkter och batterier som är markerade med denna symbol får inte kastas i de vanliga hushållssoporna.

Produkterna och batterierna innehåller material som kan återvinnas eller återanvändas, vilket sänker behovet av råmaterial. Återvinn elektriska produkter och batterier enligt lokala bestämmelser.

Närmare information finns tillgänglig på [www.2helpU.com](http://www.2helpU.com)

## Tekniska data

		BEGAS5800
Spänning	V	230
Frekvens	Hz	50
Ineffekt	V	2400, eller 2800 (P40)
Tomgångshastighet (blad)	/min	46
Tomgångshastighet (motor)	/min	2850
Max. skärlängd	mm	45
Vikt	Kg	29.6

## EG-försäkran om överensstämmelse MASKINDIREKTIVET



BEGAS5800– Kvam

Black & Decker försäkrar att dessa produkter, beskrivna under "tekniska data" uppfyller:

2006/42/EC, EN 60335-1:2012 + A11:2014 + A13:2017+A1:2019+A14:2019+A2:2019+A15:2021; EN 50434:2014

2000/14/EC, Kvam, Bilaga V

Uppmätt ljudtrycksnivå ( $L_{wa}$ ) 93 dB(A)

Osäkerhet (K) 1,7 dB(A)

Garanterad ljudnivå ( $L_{wa}$ ) 95 dB(A)

De här produkterna överensstämmer även med direktiven 2014/30/EU och 2011/65/EU.

Kontakta Black & Decker för ytterligare information på följande adress, eller se handbokens baksida.

Undertecknad är ansvarig för sammanställningen av tekniska data och gör denna försäkran för Black & Decker.

*Patrick Diepenbach*

Patrick Diepenbach  
General Manager, Benelux  
Black & Decker,  
Egide Walschaertsstraat 14-18  
2800 Mechelen, Belgium  
2023-11-08

## Garanti

Black & Decker är övertygad om sina produkters kvalitet och erbjuder konsumenterna 24 månaders garanti från och med inköpsdatumet. Denna garanti är ett tillägg till dina lagstadgade rättigheter och påverkar inte dessa på något sätt. Garantin är giltig i de områden som tillhör medlemsstaterna i Europeiska unionen, det europeiska frihandelsområdet samt Storbritannien.

För yrkande under garantin måste yrkandet vara inlighet med Black & Deckers villkor och du kommer att behöva skicka in bevis på köpet till försäljaren eller en auktoriserad reparatör. Villkoren för Black & Deckers tvååriga garanti och var du hittar din närmaste auktoriserade reparatör kan erhållas på internet på [www.2helpU.com](http://www.2helpU.com), eller genom att kontakta ditt lokala Black & Decker-kontor på adressen som angetts i denna bruksanvisning.

Besök vår webbplats [www.blackanddecker.se](http://www.blackanddecker.se) för att registrera din nya BLACK & DECKER-produkt samt för att få information om nya produkter och specialerbjudanden.

## Tiltenkt bruk

Din BLACK+DECKER™ hagekvern BEGAS5800 er designet for kverning av vanlig avfall fra kjøkken og hage, inkludert smågrener, hekkavklipp, kvister og annet organisk hageavfall samt papir og papp. Det oppkvermede avfallet er perfekt for kompostering eller kun for å få et mindre avfallsvolum for avlevering.

Hagekvernen er kun beregnet for privat bruk. Det er ment for avvekslende bruk: anbefalt innmatingstid for materiale er 40% av total brukstid av kvernen. Å finne og plukke opp materiale gir vanligvis tilstrekkelig hviletid.

## Sikkerhetsanvisninger

**Advarsel!** Når du bruker produkter som drives med strøm fra nettet, må du alltid ta grunnleggende sikkerhetsforholdsregler, blant annet punktene som er beskrevet nedenfor, så du reduserer risikoen for brann, elektrisk støt og personskade.

- ◆ Les hele denne bruksanvisningen nøye før du bruker produktet.
- ◆ Beregnet bruk er beskrevet i denne håndboken. Hvis du bruker annet tilbehør, kobler til annet utstyr eller bruker dette apparatet til andre oppgaver enn det som er anbefalt i denne håndboken, kan det føre til fare for personskade.
- ◆ Ta vare på denne håndboken for fremtidig bruk.

## Sikker driftspraksis for drevet kvern/flismaskin

### Opplæring

- ◆ Les disse instruksjonene grundig. Gjør deg kjent med hvordan man betjener og bruker apparatet på riktig måte.
- ◆ La aldri barn eller personer som ikke kjenner disse instruksjonene, bruke maskinen.

Lokale bestemmelser kan legge begrensninger på brukerens alder.

- ◆ Husk at operatøren eller brukeren vil bli gjort ansvarlig for ulykker eller farer andre personer eller deres eiendom blir utsatt for.

## Forberedelse

- ◆ Skaff deg hørselsvern og vernebriller. Bruk dem til enhver tid mens du bruker maskinen.
- ◆ Bruk alltid kraftig fottøy og lange bukser mens du bruker maskinen. Ikke bruk maskinen når du er barbent, eller bruker åpne sandaler. Unngå klær som sitter løst, eller har snorer eller bånd som henger.
- ◆ Bruk maskinen i en anbefalt posisjon og kun på en fast, jevn overflate.
- ◆ Ikke bruk apparatet på underlag med asfaltert eller grusbelegg der utkastet materiale kan føre til personskade.
- ◆ Før bruk, inspiser alltid visuelt for å se at makuleringsanordningen, bolter og andre festemidler er sikre, at huset er uskadet og at beskyttelser og skjærmer er på plass. Bytt ut slitte eller skadde komponenter i sett for å opprettholde balansen. Erstatt skadet eller uleselig merking.
- ◆ Før bruk må du kontrollere strømledning og skjøteledning for tegn på skade eller aldring. Hvis ledningen blir skadet under bruk, koble øyeblikkelig produktet fra strømtilførselen. **IKKE TA PÅ STRØMLEDNINGEN FØR DEN ER KOBLET FRA STIKKONTAKTEN.**

Ikke bruk maskinen hvis ledningen er skadet eller slitt.

- ◆ Ikke bruk maskinen hvis det er personer, spesielt barn, eller dyr i nærheten.

## Bruk

- ◆ Før du starter maskinen, sørg for at matekammeret er tomt.
- ◆ Hold ansiktet og kroppen unna mateåpningen.
- ◆ Ikke la hendene, andre kroppsdeler eller klær komme inn i matekammeret eller nær bevegelige deler.
- ◆ Ha godt fotfeste og stå støtt hele tiden. Ikke strekk deg for langt. Stå aldri på et høyere nivå enn bunnen av maskinen ved innmating av materiale.
- ◆ Stå alltid godt klar av utkastersonen ved bruk av maskinen.
- ◆ Når du mater materiale inn i maskinen, vær ekstremt forsiktig slik at deler av metall, steiner, flasker, bokser eller andre fremmedlegemer ikke mates inn.
- ◆ Hvis skjæremekanismen treffer fremmedlegemer eller hvis maskinen skulle begynne å lage uvanlig lyd eller vibrasjoner, må du umiddelbart slå av strømforsyningen og la maskinen stoppe.  
Koble maskinen fra strømforsyningen og utfør følgende trinn før du starter og bruker maskinen på nytt:
  - ◆ undersøk for skade;
  - ◆ erstatte eller reparere eventuelle skadede deler;

- ◆ se etter og stram til eventuelle løse deler.
- ◆ Ikke la behandlet materiale bygge seg opp i utkastersonen, dette kan forhindre ordentlig utkast og kan føre til tilbakeslag av materialet i mateåpningen.
- ◆ Hvis maskinen blir tilstoppet, slå av strømkilden og koble maskinen fra strømforsyningen før du fjerner rusk.
- ◆ Ikke bruk maskinen med defekte vern eller skjold eller uten at sikkerhetsinnretninger, for eksempel oppsamlingsenheten, er på plass.
- ◆ Hold strømkilden ren for rusk og andre ansamlinger for å forhindre skade på strømkilden eller mulig brann.
- ◆ Ikke transporter denne maskinen mens strømkilden er aktiv.
- ◆ Stopp maskinen og trekk støpselet ut av stikkkontakten. Sørg for at alle bevegelige deler står fullstendig i ro;
  - ◆ når du forlater maskinen,
  - ◆ før du fjerner blokkeringer eller fjerner tilstopping av renne,
  - ◆ før du kontrollerer, rengjør eller arbeider på maskinen.
- ◆ Ikke vipp maskinen mens strømkilden er aktiv.

## Vedlikehold og oppbevaring

- ◆ Når maskinen stoppes for service, inspeksjon eller lagring, eller for å bytte tilbehør, slå av strømkilden, koble maskinen fra strømforsyningen og sørg for at alle bevegelige deler har stoppet helt.

La maskinen avkjøles før du foretar inspeksjoner, justeringer osv. Vær nøye med vedlikehold av maskinen og hold den ren.

- ◆ Oppbevar maskinen på et tørt sted utilgjengelig for barn.
- ◆ La alltid maskinen bli avkjølt før den oppbevares.
- ◆ Når du utfører service på makuleringsanordningene, må du være klar over at selv om strømmen er av på grunn av sperrefunksjonen til vernet, kan makuleringsanordningen fortsatt bevege seg.
- ◆ Bytt ut slitte eller skadde deler for sikkerhets skyld. Bruk kun originale reservedeler og tilbehør.
- ◆ Forsøk aldri å overstyre sperrefunksjonen til vernet.

### Ytterligere sikkerhetsanvisninger for enheter med bagging-fester

- ◆ Slå av maskinen før du fester eller fjerner bagen.

### Anbefaling

- ◆ Maskinen skal forsynes via en jordfeilbryter (RCD) med utløsningsstrøm på maksimalt 30 mA.

### Sikkerhet for andre

- ◆ Dette apparatet kan brukes av barn som er 8 år eller eldre samt av personer som har reduserte fysiske, sansemessige eller mentale evner, eller som mangler erfaring og kunnskap, hvis de har tilsyn eller har fått veiledning i bruk av apparatet på en trygg måte og forstår farene som foreligger.

- ◆ Barn skal ikke leke med apparatet. Rengjøring og brukervedlikehold skal ikke utføres av barn uten tilsyn.

### Restrisikoer

Når verktøyet brukes, kan det oppstå ytterligere risikoer som kanskje ikke er beskrevet i de medfølgende sikkerhetsadvarslene. Slik risiko kan oppstå som følge av feil bruk, for lang bruk osv.

Til tross for at man følger relevante sikkerhetsbestemmelser og bruker sikkerhetsutstyr, er det bestemte restrisikoer som ikke kan unngås. Disse inkluderer:

- ◆ Personskader som forårsakes av berøring av bevegelige deler.
- ◆ Personskader som forårsakes av berøring av varme deler.
- ◆ Personskader som forårsakes av at deler eller tilbehør byttes.
- ◆ Personskader som forårsakes av langvarig bruk av produktet. Når du bruker et produkt i lange perioder, må du sørge for å ta regelmessige pauser.
- ◆ Hørselskader.
- ◆ Helsefarer som skyldes innånding av støv som dannes når du bruker verktøyet (for eksempel under arbeid med tre, spesielt eik, bøk og MDF.)
- ◆ Hvis bruk av kvernen i fuktige omgivelser er uunngåelig, må du bruke en jordfeilbryter (RCD) med utløsningsstrøm på maksimalt 30 mA. Bruk av jordfeilbryter (RCD) reduserer risikoen for elektrisk støt.
- ◆ Aldri plukk opp eller bær et apparat mens motoren er i gang.

## Vern mot elektrisk støt

- ◆ Apparatet må kobles til en stikkontakt eller skjøteledning med jording.
- ◆ Elektrisk sikkerhet kan forbedres ytterligere ved bruk av jordfeilbryter (30 mA / 30 mS) med høy følsomhet (RCD).
- ◆ Apparatet ditt er designet kun for bruk med vekselstrøm (strømnettet). Ikke forsøk å bruke det på annen strømforsyning.

## Skjøteledninger

- ◆ Når du bruker verktøyet utendørs, må du kun bruke skjøteledninger som er godkjent til utendørs bruk.
- ◆ Det kan brukes skjøteledning opp til 25 m 1,5 mm<sup>2</sup> med 3 ledere uten tap av effekt.
- ◆ Hold alltid skjøteledninger unna bevegelige farlige deler for å unngå ledningen som kan føre til kontakt med strømførende deler.

## Bruk

- ◆ Før du starter apparatet, se i matekammeret for å sjekke at det er tomt.
- ◆ Hold ansiktet og kroppen unna mateinntaket, lange kvister kan slå ut når de trekkes inn av kutteverktøyet. Ikke la hendene, andre kroppsdeler eller klær komme inn i matekammeret eller nær bevegelige deler.
- ◆ Ha godt fofeste og stå støtt hele tiden. Ikke strekk deg for langt. Stå aldri på et høyere nivå enn bunnen av maskinen ved innmating av materiale.

- ◆ Stå alltid godt klar av utkastersonen ved bruk av apparatet.
- ◆ Når du mater materiale inn i apparatet, vær ekstremt forsiktig slik at deler av metall, steiner, flasker, bokser eller andre fremmedlegemer ikke mates inn.
- ◆ Hvis skjæremekanismen treffer et fremmedlegeme eller dersom apparatet plutselig lager uvanlig lyd eller vibrasjoner, slå av apparatet, trekk støpselet ut av strømforsyningen og la apparatet få stoppe.
  - ◆ Undersøk apparatet for skade.
  - ◆ Se etter og stram til eventuelle løse deler.
  - ◆ Få skadede deler byttet eller reparert med originale reservedeler på et autorisert serviceverksted.
- ◆ Ikke la behandlet materiale bygge seg opp i utkastersonen, dette kan forhindre ordentlig utkast og kan føre til tilbakeslag av materialet i mateåpningen.
- ◆ Hvis apparatet blir tilstoppet, slå av apparatet, ta støpselet ut av strømforsyningen og la apparatet stoppe før du fjerner rusk.
- ◆ Ha alle beskyttelser og ledeplater på plass og i god stand.
- ◆ Ikke transporter eller vipp apparatet når det er i bruk.
- ◆ Ikke la produktet være uten tilsyn. Når du forlater arbeidsområdet, slå av apparatet, ta støpselet ut av strømforsyningen og la apparatet stoppe.

Påse at barn ikke leker med apparatet.

- ◆ Ikke vipp apparatet mens strømforsyningen er på.
- ◆ Koble alltid fra strømforsyningen:
  - ◆ før du fjerner en tilstopping;
  - ◆ før du kontrollerer, rengjør eller arbeider på maskinen;
  - ◆ etter treff av et fremmedlegeme for å inspisere maskinen for skader;
  - ◆ hvis maskinen begynner å vibrere unormalt;

## Vedlikehold og oppbevaring

- ◆ Når apparatet stoppes for service, inspeksjon, lagring eller for å skifte tilbehør, slå av apparatet og trekk støpselet ut av strømforsyningen. Sørg for at alle bevegelige deler står fullstendig i ro før du foretar inspeksjon, justering eller annet.
- ◆ Oppbevar apparatet på et tørt og avlåst sted. Barn skal ikke ha tilgang til maskiner som oppbevares.

## Produktmerking

Følgende piktogrammer vises på verktøyet sammen med datokoden (19), som også inkluderer produksjonsår, er trykt inn i huset.

Eksempel:

2023 XX XX:



**Advarsel!** Les håndboken før bruk.



Fare - roterende blad. Hold hendene og føtter unna åpninger.



Ikke bruk verktøyet på våte steder, og ikke utsett det for regn.



Benytt vernebriller når du bruker dette produktet.



Benytt passende hørselsvern når du bruker dette produktet.



Ta alltid ut støpselet fra stikkontakten før du foretar rengjøring eller vedlikehold. Ikke bruk maskinen hvis ledningen er skadet.



Ta ut støpselet dersom strømkabelen er skadet eller floket.



Vent til det har stoppet helt før du berører det.



Se opp for gjenstander som kastes rundt. Hold personer i nærheten borte fra klippeområdet.



Benytt hansker når du bruker dette verktøyet.



Ikke bruk som et trinn.



Garantert lydeffekt i henhold til direktiv 2000/14/EF.

## Elektrisk sikkerhet

**Advarsel!** Advarsel! Dette produktet må jordes. Kontroller alltid at strømforsyningen samsvarer med spenningen på merkeskiltet.



- ◆ Hvis strømledningen blir skadet, må den byttes av produsenten eller et autorisert BLACK+DECKER-servicesenter for å unngå fare.
- ◆ Strømsikkerheten kan forbedres ytterligere ved bruk av jordfeilbryter på 30 mA med høy følsomhet (RCD).

## Funksjoner

Dette apparatet har noen av eller alle funksjonene nedenfor.

1. På-/av-bryter
2. Retningsvelger
3. Overbelastningsknapp
4. Trakt
5. Stativ
6. Oppsamlingsbinge
7. Justeringsknott
8. Stempel
9. Apparatinntak (kun for bruk på europeiske modeller som ikke leveres med strømkabel)

## Montering

**Advarsel!** Før monteringen må du passe på at maskinen er slått av, og at kontakten er trukket ut.

### Feste hjulene til stativet (fig. A1 og A2)

- ◆ Sett stativet opp ned og skyv hjulakslingen (11) inn i akselrøret
- ◆ Monter en pakning (14) og et hjullager (13) på hver ende av akslingen.
- ◆ Monter hjulene (12) på akslingen (11), og sørg for å vende dem som vist i figur A2.
- ◆ Monter en pakning (14a) på utsiden av hvert hjul.
- ◆ Lås hjulene på plass med mutrene (10).
- ◆ Monter hjulkapslene (9).
- ◆ Lås føttene (16) på stativet (5) med hjelp av skruene med pakning og låseskive (18) som vist i figur A1

### Feste motoren til stativet (fig. B)

- ◆ Rett inn hullene på motorenheten med de korresponderende hullene på stativet (5).
- ◆ Sett inn skruene med pakning og låseskive (18) gjennom motorenheten og inn i stativet.

### Sett på øvre trakt (fig. C1)

- ◆ Rett inn hullene på den øvre trakten (4) med de tilsvarende hullene på motorenheten og fest dem med skruene uten pakning og låseskive (17)

### Montere oppsamlingsbingen (fig. C1 og C2)

- ◆ Skyv oppsamlingsbingen (6) inn på stativet (5), pass på at sikkerhetslåsen (6a) låses ordentlig.

**Merk:** Apparatet fungerer ikke dersom sikkerhetslåsen (6a) ikke er i lås.

## Bruk

**Advarsel!** La verktøyet jobbe i sin egen hastighet. Ikke overbelast det.

- ◆ Ikke slå av apparatet før det er helt tomt, ellers kan det tilstoppes og være vanskelig å starte igjen.
- ◆ Fjern jord og steiner fra planterøtter før kverning.
- ◆ Grener må holdes godt fast ved innmating i kvernen.
- ◆ Bruk stampelet (8) ved behov for å mate materiale ned i kvernen, se fig. E.

## Slå på og av (fig. D)

### Slå på

- ◆ Sett retningsvelgeren (2) til venstre posisjon.
- ◆ Trykk knappen I på av/på bryteren.

### Slå av

- ◆ Trykk knappen O på av/på bryteren.

**Advarsel!** Ikke bruk retningsvelger/bryteren i rask rekkefølge med brå bevegelser. Plutselig kobling kan gi strømtopper som kan skade kvernen.

## Fjerne en blokkering

Dersom apparatet blokkeres av grener som er for tykke eller for harde, vil kvernen som regel selv reagere på dette. Rotasjonsretningen reverseres automatisk og føre materialet tilbake ut på toppen. For å gå tilbake til normal rotasjon, gå frem som følger:

- ◆ Slå av og vent til skjærebladet har stoppet helt.
- ◆ Slå på apparatet igjen med retningen satt til rotasjon fremover.

Når materialet er tilstoppet:

- ◆ Slå av apparatet.
- ◆ Sett retningsvelgeren (2) til høyre posisjon.
- ◆ Trykk på I knappen helt til blokkeringen er fjernet.

**Advarsel!** Grener kan kastes ut fra inntakstrakten når apparatet går i revers.

Dersom blokkeringen ikke blir fjernet:

- ◆ Slå av apparatet, og trekk ut støpselet.
- ◆ Bruk et trestykke eller stampelet (8) for å løsne rusket i skjærekammeret.
- ◆ Sett støpselet inn i stikkkontakten igjen og kjør apparatet som angitt ovenfor igjen for å fjerne rusk.

**Advarsel!** Slå alltid av apparatet og trekk ut støpselet når du skal fjerne en blokkering. Ikke forsøk å fjerne blokkeringer med hånden gjennom inntakstrakten eller utkasteråpningen. Hold hendene unna skjærekammeret.

## Justere skjæreplaten (fig. F)

Dersom apparatet ikke kverner materiale, må skjæreplaten justeres.

- ◆ Vri justeringsknotten (7) med klokken en halv omdreining til kutteposisjon kun for bruk med lette materialer.

- ◆ Vri justeringsknotten mot klokken en halv omdreining til knuseposisjon for bruk med kraftige materialer. Noe materiale må kanskje mates to ganger gjennom kvernen for å knuse materialet før endelig kutting.
- ◆ For å unngå skade på apparatet, pass på at kuttebladet ikke berører amboltbladet.

Dersom det kuttete materialet blir hengende i "kjede", gå frem som følger:

- ◆ Slå på apparatet.
- ◆ Vri justeringsknotten (7) med klokken svært langsomt, til du hører en lett slipelyd eller en liten mengde aluminiumsspon kommer ut av utkasteråpningen. Nå vil det oppmalte materialet komme separat.

**Advarsel!** Pass på at apparatet er slått på og kjører i normal retning forover. Justering av skjæreplaten når apparatet er på kan føre til alvorlig skade på apparatet.

## Overbelastningsbeskyttelse

Apparatet har en overbelastningsbeskyttelse. Dersom apparatet blokkeres og motoren stopper, blir strømmen slått av automatisk.

- ◆ Vent omtrent 5 minutter for at beskyttelsen skal tilbakestille seg.
- ◆ Ta støpselet ut av stikkkontakten.
- ◆ Fjern blokeringen som beskrevet over.
- ◆ Koble apparatet til strømforsyningen.
- ◆ Trykk på overbelastningsknappen (3).
- ◆ Slå på apparatet.

## Råd for optimal bruk

- ◆ Mal opp tørt materiale først, dette vil bidra til å fjerne fuktig materiale fra kvernen.
- ◆ Ikke la materialet bli liggende i dynger og komposteres før du maler det opp.
- ◆ Du kan mate oppmalt materiale en gang til gjennom kvernen for ytterligere å redusere volumet.
- ◆ Se tabellen på slutten av denne teksten.

## Vedlikehold

BLACK+DECKER maskinen/-verktøyet med eller uten ledning er laget for å brukes over lang tid med et minimum av vedlikehold.

Verktøyet/apparatet er avhengig av riktig stell og regelmessig rengjøring for å fungere som det skal til enhver tid.

**Advarsel!** Før du foretar noe vedlikehold på elektriske verktøy med eller uten strømkabel:

- ◆ Slå av apparatet/verktøyet og trekk ut støpselet.
- ◆ Rengjør ventilasjonsåpningene i verktøy/apparat og lader jevnlig med en myk børste eller tørr klut.
- ◆ Rengjør motorhuset regelmessig med en fuktig klut. Ikke bruk slipende eller løsemiddelbaserte rengjøringsmidler.

## Skifte støpsele (bare Storbritannia og Irland)

Dersom du trenger å sette på et nytt støpsele:

- ◆ Kast det gamle støpselet på en trygg måte.

- ◆ Koble den brune ledningen til den strømførende terminalen i det nye støpselet.
- ◆ Koble den blå ledningen til den nøytrale terminalen.

**Advarsel!** Jordingslederen skal ikke kobles til. Følg monteringsanvisningen som medfølger støpsler av god kvalitet. Anbefalt sikring: 5 A.

## Miljøvern



Separat avfallshåndtering. Produkter og batterier som er merket med dette symbolet skal ikke kastes sammen med vanlig husholdningsavfall.

Produkter og batterier inneholder materialer som kan gjenbrukes eller gjenvinnes for å redusere behovet for nye råmaterialer. Vennligst lever elektrisk utstyr og batterier til gjenbruk i henhold til lokale retningslinjer. Mer informasjon finner du på [www.2helpU.com](http://www.2helpU.com)

## Tekniske data

		BEGAS5800
Spenning	V	230
Frekvens	Hz	50
Inngangseffekt	W	2400, eller 2800 (P40)
Hastighet ubelastet (blad)	/min	46
Hastighet ubelastet (motor)	/min	2850
Maks. kuttediameter	mm	45
Vekt	Kg	29,6

### Lydtrykknivå i henhold til EN 50434:

Utslipp av lydtrykknivå ( $L_{pA}$ ) 80 dB(A), usikkerhet (K) 2,5 dB(A)

Målt lydeffektnivå ( $L_{WA}$ ) 93 dB(A), usikkerhet (K) 1,7 dB(A)

## EU-samsvarserklæring MASKINDIREKTIVET



BEGAS5800–Kvern

Black & Decker erklærer at disse produktene, som er beskrevet under "Tekniske data", er i samsvar med: 2006/42/EF, EN 60335-1:2012 + A11:2014 + A13:2017+A1:2019+A14:2019+A2:2019+A15:2021; EN 50434:2014

2000/14/EF, Kvern, vedlegg V

Målt lydeffekt ( $L_{WA}$ ) 93 dB(A)

Usikkerhet (K) 1,7 dB(A)

Garantert lydeffekt ( $L_{WA}$ ) 95 dB(A)

Disse produktene er også i samsvar med direktiv

2014/30/EU og 2011/65/EU.

For mer informasjon, kontakt Black & Decker på adressen under eller se baksiden av bruksanvisningen.



Undertegnede er ansvarlig for utarbeidelsen av den tekniske dokumentasjonen og gir denne erklæringen på vegne av Black & Decker.

*Patrick Diepenbach*

Patrick Diepenbach  
General Manager, Benelux  
Black & Decker,  
Egide Walschaertsstraat 14-18  
2800 Mechelen, Belgia  
08.11.2023

## Garanti

Black & Decker er trygg på kvaliteten av produktene sine og tilbyr en 24 måneders garanti fra kjøpsdato. Denne garantien er et tillegg og endrer ikke dine rettigheter i henhold til loven.

Garantien er gyldig innen områdene tilhørende medlemslandene i den Europeiske Union (EU), det Europeiske Frihandelsområdet (EFTA) og i Storbritannia.

For å ta garantien i bruk må kravet være i samsvar med kjøpsbetingelsene fra Black&Decker og du må vise kjøpskvittering til forhandleren eller til et autorisert serviceverksted.

Betingelsene for Black & Deckers 2 års garanti og adressen til din nærmeste autoriserte serviceverksted kan du finne på internett under [www.2helpU.com](http://www.2helpU.com), eller ved å kontakte ditt lokale Black & Decker kontor, adressen er angitt i denne bruksanvisningen.

Besøk våre nettsider på [www.blackanddecker.no](http://www.blackanddecker.no) for å registrere ditt nye BLACK+DECKER-produkt og for å få informasjon om nye produkter og spesialtilbud.

## Tilsigtet brug

Din BLACK+DECKER™ kompostkværn BEGAS5800 er skabt til at makulere det meste kokken- og haveaffald, herunder fra beskæringer, hækkeklipninger, kviste og andet organisk haveaffald samt papir og pap. Det makulerede affald er ideelt til kompostformål eller til at opnå en mindre mængde affald, der er nemmere at bortskaffe.

Denne kompostkværn er kun beregnet til privat brug. Den er beregnet til intermitterende brug: den anbefalede materialefødnings tid er 40 % af kompostkværnens samlede driftstid. Valg og opsamling af materialet giver normalt en tilstrækkelig tomgangstid.

## Sikkerhedsvejledning

**Advarsel!** Ved anvendelse af apparater, der får strøm fra forsyningsnettet, skal grundlæggende sikkerhedsforholdsregler inkl. nedenstående altid følges, så risikoen for brand, elektrisk stød og personskaade undgås.

- ◆ Læs hele vejledningen omhyggeligt, før du bruger apparatet.
- ◆ Den tilsigtede brug er beskrevet i denne vejledning. Brugen af ekstraudstyr eller tilbehør eller udførelse af andet arbejde med dette apparat end det, der anbefales i denne vejledning, kan udgøre en risiko for personskaade.
- ◆ Opbevar denne vejledning til senere brug.

## Sikker driftspraksis for eldrevet kompostkværn/flismaskine

### Oplæring

- ◆ Læs vejledningen omhyggeligt. Sæt dig ind i betjeningsknapperne og den korrekte brug af maskinen.
- ◆ Lad ikke børn eller personer, der ikke har læst denne vejledning, benytte maskinen. Lokale regler kan begrænse brugerens alder.

- ◆ Vær opmærksom på, at brugeren er ansvarlig for ulykker eller risici, som andre eller andres ejendom udsættes for.

## Klargøring

- ◆ Anskaf høreværn og sikkerhedsbriller. Hav dem altid på, mens du bruger maskinen.
- ◆ Brug altid kraftigt fodtøj og lange bukser under anvendelse af maskinen. Betjen ikke maskinen uden sko eller iført sandaler. Undgå at bære løstsiddende tøj eller tøj med hængende snore eller bånd.
- ◆ Brug maskinen i en anbefalet position og kun på en fast, plan overflade.
- ◆ Brug ikke maskinen på en brolagt eller gruset overflade, hvor udskudt materiale kan forårsage personskade.
- ◆ Inden brug skal du altid kontrollere visuelt, at makuleringsmidlerne, makuleringsmidlernes bolte og andre fastgørelsesanordninger er sikre, at huset er ubeskadiget, og at afskærmninger og skærme sidder på plads. Udskift slidte eller beskadigede komponenter i sæt for at bevare balancen. Udskift beskadigede eller ulæsbare etiketter.
- ◆ Kontroller før brug strømforsyningsledningen og forlængerledningen for tegn på beskadigelse eller ælde. Hvis ledningen bliver beskadiget under brug, skal du omgående tage den ud af stikkontakten.

RØR IKKE VED LEDNINGEN, FØR DU HAR TAGET DEN UD AF STIKKONTAKTEN. Brug ikke maskinen, hvis ledningen er beskadiget eller slidt.

- ◆ Brug aldrig maskinen, mens der er andre i nærheden, især børn eller kæledyr.

## Betjening

- ◆ Sørg for, at fødningskammeret er tomt, før du starter maskinen.
- ◆ Hold dit ansigt og din krop væk fra fødningsindtagsåbningen.
- ◆ Lad ikke hænder eller en anden kropsdel eller tøj være inden i fødningskammeret, udløbet eller i nærheden af nogen del i bevægelse.
- ◆ Hold hele tiden en god balance og fodstilling. Undlad at række for langt. Stå aldrig på et højere niveau end bunden af maskinen, når der fødes materiale ind i den.
- ◆ Stå altid væk fra udløbszonen, når maskinen betjenes.
- ◆ Når der fødes materiale ind i maskinen, skal du være utrolig forsigtig med ikke at medtage stykker af metal, sten, flasker, dåser eller andre fremmedlegemer.
- ◆ Hvis skæremekanismen rammer fremmedlegemer, eller hvis maskinen begynder at udsende en usædvanlig lyd eller vibration, skal du straks slukke for strømmen og lade maskinen stoppe.

Kobl maskinen fra strømforsyningen og træf følgende foranstaltninger, før du genstarter og betjener maskinen:

- ◆ se efter for skader;
- ◆ udskift eller reparer evt. beskadigede dele;
- ◆ se efter løse dele, og stram dem.
- ◆ Lad ikke processeret materiale blive opbygget i udløbszonen. Dette kan forhindre korrekt udløb og kan resultere i tilbageslag af materiale gennem fødningsindtagsåbningen.
- ◆ Hvis maskinen bliver tilstoppet, skal du slukke for strømkilden og koble maskinen fra strømforsyningen, før du fjerner snavs.
- ◆ Betjen aldrig maskinen med defekte beskyttelsesanordninger eller afskærmninger, eller uden at sikkerhedsanordninger som f.eks. opsamlere er på plads.
- ◆ Hold strømkilden ren for affald og andre ophobninger for at forhindre beskadigelse af strømkilden eller eventuel brand.
- ◆ Undlad at transportere denne maskine, mens strømkilden kører.
- ◆ Stop maskinen, og tag stikket ud af stikkontakten. Sørg for, at alle dele i bevægelse er helt stoppet;
  - ◆ hver gang du forlader maskinen,
  - ◆ før du fjerner blokeringer eller renser udløbet,
  - ◆ før du kontrollerer, rengør, justerer eller arbejder på maskinen.
- ◆ Undlad at vippe maskinen, mens strømkilden kører.

## Vedligeholdelse og rengøring

- ◆ Når maskinen er stoppet i forbindelse med service, inspektion eller opbevaring, eller med henblik på at skifte tilbehør, skal du slukke for strømkilden, koble maskinen fra strømforsyningen og sikre dig, at alle bevægelige dele er helt standset. Lad maskinen køle af, før der foretages inspektioner, justeringer osv. Vedligehold maskinen omhyggeligt og hold den ren.
- ◆ Opbevar maskinen et tørt sted uden for børns rækkevidde.
- ◆ Lad altid maskinen køle ned, inden den sættes væk.
- ◆ Vær under service på makuleringsmidlerne opmærksom på, at selvom strømmen er afbrudt pga. skærmens spærrefunktion, kan makuleringsmidlerne stadig bevæges.
- ◆ Udskift slidte eller beskadigede dele af hensyn til sikkerhed. Brug kun originale reservedele og tilbehør.
- ◆ Forsøg aldrig at tilsidesætte skærmens spærrefunktion.

## Yderligere sikkerhedsinstruktioner for enheder med posetilbehør

- ◆ Sluk for maskinen, før du tager maskinen af og på.

## Anbefaling

- ◆ Maskinen bør forsynes gennem en fejlstrømsafbryder (RCD) med en aktiveringsstrøm på højst 30 mA.

## Andres sikkerhed

- ◆ Dette apparat kan bruges af børn i en alder fra 8 år og derover og personer med nedsatte fysiske, sensoriske eller mentale evner eller manglende erfaring og viden, hvis det sker under overvågning, eller de vejledes i brugen af apparatet på en sikker måde, og de forstår de farer, som er forbundet dermed.
- ◆ Børn må ikke lege med apparatet. Rengøring og brugervedligeholdelse må ikke foretages af børn uden opsyn.

## Tilbageværende risici

Der kan opstå yderligere, tilbageværende risici under brugen af apparatet, som muligvis ikke behandles i de vedlagte sikkerhedsadvarsler. Disse risici kan opstå pga. forkert anvendelse, langvarig brug etc.

Selv ved overholdelse af relevante sikkerhedsforskrifter og anvendelse af sikkerhedsudstyr kan visse resterende risici ikke undgås. Disse omfatter:

- ◆ Tilskadekomst forårsaget af berøring af bevægelige dele.
- ◆ Tilskadekomst forårsaget af berøring af varme dele.
- ◆ Tilskadekomst forårsaget af udskiftning af dele eller tilbehør.
- ◆ Tilskadekomst forårsaget af langvarig brug af apparatet. Husk at holde pause jævnlige ved brug af et apparat i længere tid.
- ◆ Hørenedsættelse.

- ◆ Sundhedsrisici forårsaget af indånding af støv, der genereres ved brug af værktøjet (eksempel: arbejde med træ, især eg, bøg og MDF.)
- ◆ Hvis det er uundgåeligt at betjene kværnen på et fugtigt sted, skal der bruges en fejlstrømsafbryder (RCD) med en aktiveringsstrøm på højst 30 mA. Ved at benytte en fejlstrømsafbryder reduceres risikoen for elektrisk stød.
- ◆ Du må aldrig løfte eller bære et apparat, mens motoren kører.

## Beskyttelse mod elektrisk stød

- ◆ Apparatet skal være sluttet til en stikkontakt eller en forlængerledning med en jordforbindelse.
- ◆ Den elektriske sikkerhed kan forbedres yderligere ved brug af en højfølsom (30 mA / 30 mS) fejlstrømsafbryder (RCD).
- ◆ Dit apparat er kun skabt til brug på AC (net) elforsyning. Forsøg ikke at bruge den med en anden forsyning.

## Forlængerledninger

- ◆ Hvis apparatet bruges i det fri, skal der benyttes forlængerledninger, som er beregnet til udendørs brug.
- ◆ Der kan bruges en 25 m 1,5 mm<sup>2</sup> 3-kernet forlængerledning uden effekttab.
- ◆ Hold altid forlængerledninger væk fra farlige dele i bevægelse for at undgå beskadigelser af ledningerne, hvilket kan føre til kontakt med strømførte dele.

## Betjening

- ◆ Inden apparatet startes, skal du kigge ind i fødningskammeret for at sikre, at det er tomt.
- ◆ Hold dit ansigt og din krop væk fra fødningsindtagsåbningen, da lange grene kan lange ud, når de trækkes ind af skæreudstyret. Lad ikke hænder eller en anden kropsdel eller tøj være inden i fødningskammeret, udløbet eller i nærheden af nogen del i bevægelse.
- ◆ Hold hele tiden en god balance og fodstilling. Undlad at række for langt. Stå aldrig på et højere niveau end bunden af apparatet, når der fødes materiale ind i det.
- ◆ Stå altid væk fra udløbszonen, når apparatet betjenes.
- ◆ Når der fødes materiale ind i apparatet, skal du være utrolig forsigtig med ikke at medtage stykker af metal, sten, flasker, dåser eller andre fremmedlegemer.
- ◆ Hvis skæremekanismen rammer fremmedlegemer, eller apparatet begynder at udsende en usædvanlig lyd eller vibration, skal du slukke for apparatet, tage stikket ud af stikkontakten og lade apparatet stoppe.
  - ◆ Se apparatet efter for skader.
  - ◆ Se efter løse dele, og stram dem.
  - ◆ Få beskadigede dele udskiftet eller repareret med originale dele af en autoriseret reparatør.
- ◆ Lad ikke processeret materiale blive opbygget i udløbszonen. Dette kan forhindre korrekt udløb og kan resultere i tilbageslag af materiale gennem fødningsindtagsåbningen.
- ◆ Hvis apparatet bliver tilstoppet, skal du slukke for apparatet, tage stikket ud af stikkontakten og lade apparatet stoppe, inden du fjerner snavs.
- ◆ Hold alle skærme og deflektorer på plads og i god driftstilstand.
- ◆ Undlad at transportere eller vippe apparatet, mens det er i drift.
- ◆ Efterlad ikke apparatet uden opsyn. Hver gang du forlader arbejdsområdet, skal du slukke for apparatet, tage stikket ud af stikkontakten og lade apparatet stoppe. Børn skal holdes under opsyn, så det sikres, at de ikke leger med apparatet.
- ◆ Undlad at vippe apparatet, mens strømkilden er tændt.
- ◆ Frakobl altid forsyningen:
  - ◆ før du rengør en blokering;
  - ◆ før du kontrollerer, rengør, justerer eller arbejder på maskinen;
  - ◆ efter at have ramt et fremmedlegeme for at se maskinen efter for skader;
  - ◆ hvis maskinen begynder at vibrere unormalt;

## Vedligeholdelse og rengøring

- ◆ Når apparatet stoppes for at foretage service, inspektion eller opbevaring, eller for at udskifte et tilbehør, skal du slukke for apparatet og tage stikket ud af stikkontakten.

Sørg for, at alle dele i bevægelse er helt stoppet, inden du foretager inspektioner, justeringer osv.

- ♦ Opbevar apparatet på et tørt og låst sted. Opbevar apparater utilgængeligt for børn.

## Mærkater på apparatet

Følgende piktogrammer vises på værktøjet sammen med datokoden (19), som også inkluderer produktionsåret, der er trykt i huset.

Eksempel:

2023 XX XX:



**Advarsel!** Læs vejledningen inden brug.



Fare - roterende klinger. Hold hænder og fødder væk fra åbninger.



Brug ikke værktøjet i våde omgivelser, og udsæt det ikke for regn.



Bær beskyttelses- eller sikkerhedsbriller, når du bruger dette apparat.



Bær egnet høreværn, når du bruger dette apparat.



Tag altid stikket ud af kontakten, før du udfører rengøring eller vedligeholdelse. Brug ikke apparatet, hvis kablet er beskadiget.



Tag stikket ud af stikkontakten, hvis ledningen bliver beskadiget eller filtrer.



Vent, til den er helt stoppet, inden du berører den.



Pas på flyvende genstande. Hold omkringstående på afstand af klippeområdet.



Bær handsker, når du bruger dette værktøj.



Må ikke anvendes som et trin.



Direktiv 2000/14/EC garanteret lydstyrke.

## Elektricitet og sikkerhed



**Advarsel!** Advarsel! Dette produkt skal jordforbindes.

Kontrollér altid, at strømforsyningen svarer til spændingen på mærkepladen.

- ♦ Hvis netledningen beskadiges, skal den udskiftes af producenten eller et autoriseret BLACK+DECKER-værksted, så farlige situationer undgås.
- ♦ Den elektriske sikkerhed kan forbedres yderligere ved brug af en højfølsom 30 mA fejlstrømsafbryder (RCD).

## Funktioner

Dette apparat leveres med nogle af eller alle de følgende komponenter.

1. Afbryderkontakt
2. Retningsvælger
3. Knap til overbelastningsbeskyttelse
4. Tragt
5. Stativ

6. Indsamlingsbeholder
7. Justeringsknapp
8. Stempel
9. Apparatindgang (kun til brug på europæiske modeller, som ikke er forsynet med et strømkabel)

## Samling

**Advarsel!** Kontroller før samling, at apparatet er slukket, og at ledningen er taget ud af stikkontakten.

## Montering af hjulene på stativet (fig. A1 & A2)

- ◆ Vend bunden i vejret på stativet, og skub hjulakslen (11) ind i akslerøret
- ◆ Sæt en skive (14) og et hjulleje (13) på hver ende af akslen.
- ◆ Sæt hjulene (12) på hver aksel (11), mens du sørger for at vende mod dem, som vist på figur A2.
- ◆ Sæt en skive (14a) på ydersiden af hvert hjul.
- ◆ sæt hjulene på plads med møtrikkerne (10).
- ◆ Påsæt hjulkapslerne (9).
- ◆ Fastgør fødderne (16) på stativet (5) med skrueerne med skive og låseskive (18), som vist i figur A1

## Montering af motorenheden på stativet (fig. B)

- ◆ Niveller hullerne på motorenheden med de tilsvarende huller på stativet (5).
- ◆ Indsæt skrueerne med skiven og låseskiven (18) gennem motorenheden og ind i stativet.

## Påmontering af øvre tragt (fig. C1)

- ◆ Ret hullerne på den øvre tragt (4) ind efter de tilsvarende huller på motorenheden, og fastgør med skrueerne uden skive og låseskive (17)

## Montering af indsamlingsbeholder (fig. C1 & C2)

- ◆ Skub indsamlingsbeholderen (6) ind i stativet (5), mens du sikrer dig, at sikkerhedskontakten (6a) låses sikkert.

**Bemærk:** Enheden fungerer ikke, med mindre sikkerhedskontakten (6a) er tilkoblet.

## Anvendelse

**Advarsel!** Lad værktøjet arbejde i dets eget tempo.

Overbelastet det ikke.

- ◆ Sluk ikke apparatet, før det er helt tomt, da det kan blive tilstoppet og være svært at genstarte.
- ◆ Fjern jord og sten fra planterødder inden makulering.
- ◆ Hold godt fast i grenene, når du føder dem ind i kompostkværnen.
- ◆ Brug stemplet (8), når det er nødvendigt, for at føde kompostkværnen med materiale, som vist på figur E.

## Start og stop (fig. D)

### Tænd

- ◆ Stil retningsvælgeren (2) på den venstre position.
- ◆ Tryk på I-knappen på afbryderkontakten.

## Sluk

- ◆ Tryk på O-knappen på afbryderkontakten.

**Advarsel!** Betjen ikke retningsvælgeren/kontakterne i rækkefølge med bratte bevægelser. Pludselige skift kan forårsage strømstigninger, som potentielt kan beskadige kompostkværnen.

## Når du fjerner en blokering

Hvis apparatet bliver blokeret af grene, som er for tykke eller hårde, eller fremmedlegemer, vil kompostkværnen det meste af tiden frigøre sig selv automatisk. Rotationsretningen vendes automatisk og frigiver dermed materialet tilbage gennem toppen. Gør følgende for at stille rotationen tilbage til normal:

- ◆ Sluk og vent, til skæreklingen er standset helt.
- ◆ Tænd igen med apparatet stillet i fremad rotation.

Når materialet sidder fast:

- ◆ Sluk for apparatet.
- ◆ Stil retningsvælgeren (2) på den højre position.
- ◆ Tryk på I-knappen, indtil blokeringen er fjernet.

**Advarsel!** Grene kan blive skudt ud fra indløbstragten, når apparatet kører i omvendt retning.

Hvis blokeringen ikke er blevet fjernet:

- ◆ Sluk, og tag apparatets stik ud af stikkontakten.
- ◆ Brug et stykke træ eller stemplet (8) til at løsgøre snavset i skærekammeret.
- ◆ Sæt stikket tilbage i stikkontakten, og betjen apparatet som beskrevet ovenover for at fjerne eventuelt snavs.

**Advarsel!** Sluk og tag altid apparatets stik ud af stikkontakten, når du fjerner en blokering. Husk at fjerne blokeringer med hånden gennem indløbstragten eller udløbsåbningen. Hold hænderne væk fra skærekammeret.

## Justering af skærepladen (fig. F)

Skærepladen skal justeres, hvis apparatet ikke kan makulere materiale.

- ◆ Drej justeringsknappen (7) en halv omdrejning med uret ind i skærepositionen for at skære helt gennem let materiale.
- ◆ Drej justeringsknappen en halv omdrejning mod uret ind i knuseposition for at makulere tunge materialer. Det kan være nødvendigt at føre materialerne to gange gennem apparatet for at knuse materialet, inden det skæres helt.
- ◆ Sørg for, at skæreklingen ikke berører amboltklingen for at undgå beskadigelse af apparatet.

Når det makulerede materiale begynder at hænge som en kæde, skal følgende justeringer foretages:

- ◆ Tænd for apparatet.
- ◆ Drej justeringsknappen (7) meget langsomt og en smule med uret, indtil du hører en let skurrende lyd, eller en lille mængde aluminiumsspåner falder ud af udløbet. Det makulerede materiale vil nu blive separeret.

**Advarsel!** Sørg for, at apparatet er tændt og virker i normal fremad retning. Hvis skærepladen justeres, mens apparatet er slukket, kan det føre til alvorlig beskadigelse af apparatet.

## Overbelastningsbeskyttelse

Dette apparat har en overbelastningsbeskyttelse. Hvis apparatet bliver blokeret, og motoren staller, slukkes strømmen automatisk.

- ◆ Vent i ca. 5 minutter på, at beskyttelsen nulstilles.
- ◆ Tag apparatets ledning ud af stikkontakten.
- ◆ Ryd blokeringen, som beskrevet ovenfor.
- ◆ Slut apparatet til netforsyningen.
- ◆ Tryk på knappen til overbelastningsbeskyttelse (3).
- ◆ Tænd for apparatet.

## Gode råd mhp. optimal brug

- ◆ Makuler tørre materialer til sidst, da dette vil hjælpe med rydde fugtigt materiale fra kompostkvarnen.
- ◆ Lad ikke materiale hobe sig op og blive komposteret inden makulering.
- ◆ Du kan føde kompostkvarnen med makuleret materiale en gang mere for at reducere deres massefylde yderligere.
- ◆ Se diagrammet i slutningen af denne tekst.

## Vedligeholdelse

Dit BLACK+DECKER-apparat/værktøj med eller uden ledning er beregnet til brug gennem lang tid med et minimum af vedligeholdelse.

Fortsat tilfredsstillende drift afhænger af korrekt behandling af apparatet samt regelmæssig rengøring.

**Advarsel!** Før udførelse af vedligeholdelse på elværktøjer med eller uden ledninger:

- ◆ Sluk, og tag apparatets/værktøjets stik ud af stikkontakten.
- ◆ Rengør jævnlige værktøjets/apparatets og laderens ventilationshuller med en blød børste eller en tør klud.
- ◆ Rengør med jævne mellemrum motorhuset med en fugtig klud. Der må ikke bruges skuremidler eller opløsningsmidler.

## Udskiftning af lysnetstik (kun Storbritannien og Irland)

Hvis et nyt lysnetstik skal monteres:

- ◆ Det gamle stik skal bortskaffes på en sikker måde.
- ◆ Slut den brune ledning til den strømførende klemme på det nye stik.
- ◆ Tilslut den blå ledning til den neutrale klemme.

**Advarsel!** Der skal ikke tilsluttes til jordklemmen. Følg de monteringsinstruktioner, der følger med stik af god kvalitet. Anbefalet sikring: 5 A.

## Miljøbeskyttelse



Særskilt bortskaffelse. Produkter og batterier mærket med dette symbol må ikke bortskaffes sammen med normalt husholdningsaffald.

Produkter og batterier indeholder materialer, der kan genindvindes eller genanvendes, hvilket reducerer efterspørgslen efter råvarer. Genbrug venligst elektriske produkter og batterier i henhold til lokale bestemmelser. Yderligere informationer findes på [www.2helpU.com](http://www.2helpU.com)

## Tekniske data

BEGAS5800		
Spænding	V	230
Frekvens	Hz	50
Effektindgang	W	2400 eller 2800 (P40)
Hastighed uden belastning (klinge)	/min.	46
Hastighed uden belastning (motor)	/min.	2850
Maks. skærediameter	mm	45
Vægt	kg	29.6

### Lydtrykniveau i henhold til EN 50434:

Emissionslydtrykniveau ( $L_{pA}$ ) 80 dB(A), usikkerhed (K) 2,5 dB(A)

Målt lydeffektniveau ( $L_{WA}$ ) 93 dB(A), usikkerhed (K) 1,7 dB(A)

## EF-overensstemmelseserklæring MASKINDIREKTIV



BEGAS5800 - Kompostkvarn

Black & Decker erklærer, at produkterne beskrevet under "Tekniske data" er i overensstemmelse med: 2006/42/EF, EN 60335-1:2012 + A11:2014 + A13:2017+A1:2019+A14:2019+A2:2019+A15:2021; EN 50434:2014 2000/14/EC, kompostkvarn, bilag V  
Målt lydeffektniveau ( $L_{WA}$ ) 93 dB(A)  
Usikkerhed (K) = 1,7 dB(A)  
Garanterer lydeffekt ( $L_{WA}$ ) 95 dB(A)

Disse produkter er endvidere i overensstemmelse med direktiv 2014/30/EU og 2011/65/EU.

Kontakt Black & Decker på nedenstående adresse eller se vejledningens bagside for at få yderligere oplysninger. Undertegnede er ansvarlig for udarbejdelsen af de tekniske data og fremsætter denne erklæring på vegne af Black & Decker.

*Patrick Diepenbach*

Patrick Diepenbach  
Generaldirektør, Benelux  
Black & Decker,  
Egide Walschaertsstraat 14-18  
2800 Mechelen, Belgien  
08-11-2023



## Garanti

Black & Decker er overbevist om den gode kvalitet af sine produkter og giver forbrugerne en garanti på 24 måneder fra købsdatoen.

Garantien er et tillæg til forbrugerens lovmæssige rettigheder og påvirker ikke disse.

Garantien er gyldig inden for medlemsstaterne af Den Europæiske Union, Det Europæiske Frihandelsområde og Det Forenede Kongerige.

Når du gør krav på garantien, skal kravet være i overensstemmelse med Black & Decker vilkår og betingelser, og du skal indsende dokumentation for købet til sælgeren eller til en autoriseret reparatør.

Vilkår og betingelser for Black & Decker 2 års garanti og placeringen af dit nærmeste autoriserede serviceværksted kan fås på internettet på [www.2helpU.com](http://www.2helpU.com), eller ved at kontakte dit lokale Black & Decker kontor på den adresse, der er angivet i denne vejledning.

Besøg venligst vores websted [www.blackanddecker.co.uk](http://www.blackanddecker.co.uk) for at registrere dit nye BLACK+DECKER produkt og modtage opdateringer om nye produkter og specielle tilbud.

## Käyttötarkoitus

BLACK+DECKER™-puutarhasilppuri BEGAS5800 on tarkoitettu useimpien keittiö- ja puutarhajätteiden, kuten oksien, pensaiden leikkuujätteiden ja muiden orgaanisten puutarhajätteiden sekä paperin ja pahvin silppuamiseen. Silputtu jäte sopii ihanteellisesti kompostointiin tai jätemäärän vähentämiseen helppoa hävitystä varten.

Tämä puutarhasilppuri on tarkoitettu ainoastaan kotikäyttöön. Se on tarkoitettu jaksottaiseen käyttöön: materiaalin suositeltu syöttöaika on 40 % silppurin kokonaiskäyttöajasta. Materiaalin valinta ja nosto takaa normaalisti riittävän tyhjäkäyntiajan.

## Turvallisuusohjeet

**Varoitus!** Sähkölaitteita käytettäessä on aina noudatettava asianmukaisia turvaohjeita, jotta tulipalojen, sähköiskujen ja henkilövahinkojen riski olisi mahdollisimman pieni.

- ◆ Lue nämä ohjeet huolellisesti ennen laitteen käyttöä.
- ◆ Käyttötarkoitus kuvataan ohjeissa. Muiden kuin tässä käyttöohjeessa suositeltujen lisävarusteiden tai -osien käyttö sekä laitteen käyttö muuhun kuin käyttöohjeessa suositeltuun tarkoitukseen voi aiheuttaa henkilövahingon vaaran.
- ◆ Säilytä tämä käyttöohje tulevaa tarvetta varten.

## Moottorikäyttöisen silppurin/ hakkurin turvalliset käyttötavat

### Harjoittelu

- ◆ Lue ohjeet huolellisesti. Tutustu hallintalaitteisiin ja opettele koneen oikeaoppinen käyttö.
- ◆ Älä koskaan anna lasten tai kenenkään, joka ei ole lukenut näitä ohjeita, käyttää laitetta. Paikalliset säädökset voivat määrittää käyttäjiä koskevia ikärajoituksia.

- ◆ Muista, että laitteen käyttäjä on vastuussa muille henkilöille tai omaisuudelle aiheutuneista onnettomuuksista tai vaaratilanteista.

## Valmistelu

- ◆ Käytä kuulonsuojaimia ja suojalaseja. Käytä niitä aina laitteen käytön aikana.
- ◆ Käytä laitteen käytön aikana aina tukevia jalkineita ja pitkiä housuja. Älä käytä laitetta avojaloin tai avonaisien sandaalien kanssa. Vältä väljien tai nauhallisten vaatteiden käyttöä.
- ◆ Käytä laitetta suositellussa asennossa ja vain kiinteällä, tasaisella alustalla.
- ◆ Laitetta ei saa käyttää päällystetyllä tai soratiellä, jossa poistuva materiaali voi aiheuttaa henkilövahinkovaaran.
- ◆ Tarkasta aina silmämääräisesti ennen käyttöä, että silppurit, silppurin pultit ja muut kiinnikkeet ovat kunnolla kiinni, kotelo on ehjä ja että suojukset ja sihdit ovat paikoillaan. Vaihda kuluneet tai vahingoittuneet osat aina sarjoina, jotta tasapaino säilyy. Vaihda vahingoittuneet tai lukukelvottomat tarrat.
- ◆ Tarkista ennen käyttöä, että sähkö- ja jatkojohdot eivät ole vaurioituneet tai vanhentuneet.  
Jos johto vahingoittuu käytön aikana, irrota johto heti virtalähteestä.  
**ÄLÄ KOSKETA JOHTOA, ENNEN KUIN OLET IRROTTANUT SEN VIRTUALÄHTEESTÄ.** Älä käytä laitetta, jos sen johto on vahingoittunut tai kulunut.

- ◆ Älä koskaan käytä laitetta muiden henkilöiden (erityisesti lapsien) tai eläinten läheisyydessä.

## Käyttö

- ◆ Varmista ennen laitteen käynnistämistä, että syöttökammio on tyhjä.
- ◆ Pidä kasvot ja keho poissa syöttöaukosta.
- ◆ Käsiä tai muita kehonosia tai vaatteita ei saa asettaa syöttökammioon, poistokanavaan tai liikkuvien osien lähelle.
- ◆ Huolehdi siitä, että sinulla on koko ajan tukeva jalansija ja hyvä tasapaino. Älä kurkota liian kauas. Älä koskaan seiso laitteen jalustaa korkeammalla syöttäessä laitteeseen materiaalia.
- ◆ Pysy aina kaukana poistoalueelta laitteen käytön aikana.
- ◆ Noudata varovaisuutta materiaalin syöttämisen aikana, ettei laitteeseen pääse metalliosia, kiviä, pulloja, purkkeja tai muita vieraita esineitä.
- ◆ Jos leikkausmekanismi osuu vieraisiin esineisiin tai jos laitteesta kuuluu normaalista poikkeavaa ääntä tai se tärisee poikkeavasti, sammuta laite ja anna laitteen pysähtyä.  
Irrota laite virtalähteestä ja suorita seuraavat toimet ennen sen uudelleenkäynnistämistä ja käyttöä:
  - ◆ tarkasta vaurioiden varalta
  - ◆ vaihda tai korjaa vaurioituneet osat
  - ◆ tarkista löystyneiden osien varalta ja kiristä tarvittaessa.

- ◆ Älä anna käsitellyn materiaalin kerääntyä poistoalueelle. Muutoin virheellinen poisto voi aiheuttaa materiaalin takaisin iskeytymisen syöttöaukon läpi.
- ◆ Jos laitteeseen muodostuu tukoksia, katkaise virtalähde ja irrota laite verkkovirrasta ennen roskien poistamista.
- ◆ Älä koskaan käytä laitetta ilman asianmukaisia suoja- tai turvalaitteita, kuten roskakeräintä.
- ◆ Pidä virtalähde puhtaana roskista ja muista kertymistä estääksesi virtalähteen vaurioitumisen tai mahdollisen tulipalon.
- ◆ Koneetta ei saa kuljettaa virran ollessa päällä.
- ◆ Pysäytä laite ja irrota pistoke pistorasiasta. Varmista, että kaikki liikkuvat osat ovat pysähtyneet kokonaan:
  - ◆ kun jätät laitteen ilman valvontaa
  - ◆ ennen esteiden tai tukosten poistamista kanavasta
  - ◆ ennen laitteen tarkastusta, puhdistusta tai käsittelyä.
- ◆ Koneetta ei saa kallistaa virran ollessa päällä.

## Huolto ja varastointi

- ◆ Kun laite pysäytetään huoltoa, tarkastusta tai varastointia varten tai lisävarusteen vaihtamista varten, katkaise virransyöttö, irrota laite virtalähteestä ja varmista, että kaikki liikkuvat osat ovat pysähtyneet kokonaan. Anna laitteen jäähtyä ennen kuin teet

- tarkastuksia, säätöjä jne. Laitteen huolto tulee suorittaa huolellisesti ja laite on pidettävä puhtaana.
- ◆ Säilytä laitetta kuivassa paikassa poissa lasten ulottuvilta.
- ◆ Anna laitteen aina jäähtyä ennen varastointia.
- ◆ Silppuria huollettaessa on huomioitava, että vaikka virransyöttö on katkaistu suojuksen lukitusominaisuuden vuoksi, silppuriosia voidaan edelleen liikuttaa.
- ◆ Vaihda kuluneet tai vaurioituneet osat turvallisuuden takaamiseksi. Käytä aina vain alkuperäisiä varaosia ja lisävarusteita.
- ◆ Älä koskaan yritä ohittaa suojuksen lukitustoimintaa.

## Lisäturvaohjeet pusseilla varustetuille yksiköille.

- ◆ Sammuta laite ennen pussin kiinnittämistä tai poistamista.

## Suositus

- ◆ Käytä laitteessa vikavirtasuojakytkintä (RCD), jonka laukaisuvirta on korkeintaan 30 mA.

## Muiden henkilöiden turvallisuus

- ◆ Tämä laite soveltuu yli 8-vuotiaiden lasten ja sellaisten henkilöiden käyttöön, joilla on fyysisiä tai älyllisiä rajoitteita tai aistirajoitteita, kuten myös laitteen toimintaan perehtymättömien henkilöiden käyttöön, jos heitä valvotaan tai jos he ovat saaneet laitteen turvalliseen käyttöön liittyvää opastusta ja ymmärtävät laitteen käyttöön liittyvät vaarat.

- ♦ Älä anna lasten leikkiä laitteella. Puhdistus- ja huoltotoita ei saa jättää lapsille ilman valvontaa.

## Jäännösriskit

Jäännösriskkejä voi esiintyä käyttäessä muita kuin varoituksissa mainittuja työkaluja. Riskit voivat johtua väärinkäytöstä, pitkästä käytöstä jne. Turvamääräysten noudattamisesta ja turvalaitteiden käyttämisestä huolimatta tiettyjä vaaroja ei voida välttää. Näitä ovat:

- ♦ liikkuvien osien koskettamisen aiheuttamat vahingot
- ♦ kuumien osien koskettamisen aiheuttamat vahingot
- ♦ osia tai lisälaitteita vaihdettaessa aiheutuneet vahingot
- ♦ laitteen pitkäaikaisen käytön aiheuttamat vahingot. Kun käytät laitetta pitkään, varmista, että pidät säännöllisesti taukoja.
- ♦ Kuulon heikkeneminen.
- ♦ Työkalua käytettäessä (esimerkiksi puuta, erityisesti tammea, pyökkiä ja MDF-levyjä käsiteltäessä) syntyneen pölyn sisäänhengityksen aiheuttamat terveysriskit.
- ♦ Jos silppurin käyttö kosteassa ympäristössä on välttämätöntä, käytä vikavirtasuojakytkintä (RCD), jonka laukaisuvirta on korkeintaan 30 mA. Tämä vähentää sähköiskun vaaraa.
- ♦ Älä koskaan nosta tai kuljeta laitetta sen moottorin ollessa käynnissä.

## Suojaudu sähköiskuilta

- ♦ Laite tulee liittää maadoitettuun pistorasiaan tai jatkojohtoon.
- ♦ Sähköturvallisuutta voi parantaa käyttämällä erittäin herkkää (30 mA / 30 mS) vikavirtasuojaa.
- ♦ Laite on tarkoitettu käytettäväksi vain vaihtovirralla (verkkovirta). Älä yritä käyttää mitään muuta kuin määritettyä virtalähdettä.

## Jatkojohdot

- ♦ Käyttäessäsi laitetta ulkona käytä ainoastaan ulkokäyttöön soveltuvaa jatkojohtoa.
- ♦ Laitteen kanssa voidaan käyttää enintään 25 m pitkää 1,5 mm<sup>2</sup> 3-ytimistä jatkojohtoa ilman tehon heikkenemistä.
- ♦ Pidä jatkojohdot aina kaukana liikkuvista osista niiden vaurioitumisen ja kosketuksen välttämiseksi jännitteenalaisiin osiin.

## Käyttö

- ♦ Tarkista ennen laitteen käynnistämistä, että syöttökammio on tyhjä.
- ♦ Pidä kasvot ja kehonosat kaukana syöttöaukosta, sillä pitkät oksat voivat aiheuttaa vammautumisvaaran laitteen vetäessä niitä leikkausosiin. Käsiä tai muita kehonosia tai vaatteita ei saa asettaa syöttökammioon, poistokanavaan tai liikkuvien osien lähelle.
- ♦ Huolehdi siitä, että sinulla on koko ajan tukeva jalansija ja hyvä tasapaino. Älä kurkota liian kauas.

Älä koskaan seiso laitteen jalustaa korkeammalla syöttäessä laitteeseen materiaalia.

- ◆ Pysy aina kaukana poistoalueelta laitteen käytön aikana.
- ◆ Noudata varovaisuutta materiaalin syöttämisen aikana, ettei laitteeseen pääse metalliosia, kiviä, pulloja, purkkeja tai muita vieraita esineitä.
- ◆ Jos leikkausmekanismi osuu vieraisiin esineisiin tai jos laitteesta kuuluu normaalista poikkeavaa ääntä tai se tärisee poikkeavasti, sammuta laite, irrota pistoke verkkovirrasta ja anna laitteen pysähtyä.
  - ◆ Tarkista laite vaurioiden varalta.
  - ◆ Tarkista löystyneiden osien varalta ja kiristä tarvittaessa.
  - ◆ Korjauta tai vaihdata vaurioituneet osat valtuutetussa huoltoliikkeessä.
- ◆ Älä anna käsitellyn materiaalin kerääntyä poistoalueelle. Muutoin virheellinen poisto voi aiheuttaa materiaalin takaisin iskeytymisen syöttöaukon läpi.
- ◆ Jos laitteeseen muodostuu tukoksia, sammuta laite, irrota pistoke verkkovirrasta ja anna laitteen pysähtyä ennen jäämien poistamista.
- ◆ Kaikki suojat ja ohjaimet tulee pitää paikoillaan ja niiden hyvä kunto tulee varmistaa.
- ◆ Laitetta ei saa kuljettaa tai kallistaa käytön aikana.
- ◆ Älä jätä laitetta ilman valvontaa. Kun poistut työalueelta, sammuta laite, irrota pistoke verkkovirrasta ja anna laitteen pysähtyä.

Lapsia on valvottava ja estettävä leikkimästä koneella.

- ◆ Laitetta ei saa kallistaa virran ollessa päällä.
- ◆ Laite tulee irrottaa verkkovirrasta aina:
  - ◆ ennen kuin aloitat tukosten puhdistamisen
  - ◆ ennen laitteen tarkastusta, puhdistusta tai käsittelyä
  - ◆ vieraaseen esineeseen osuessa ennen laitteen tarkistamista vaurioiden varalta
  - ◆ jos laite alkaa täristä normaalista poikkeavasti.

## Huolto ja varastointi

- ◆ Kun laite on pysäytetty huoltoon, tarkastuksia, varastointia tai lisävarusteiden vaihtoa varten, sammuta laite ja irrota pistoke verkkovirrasta. Varmista, että kaikki liikkuvat osat ovat pysähtyneet kokonaan ennen tarkastuksia, säätöjä jne.
- ◆ Säilytä laite kuivassa ja lukitussa paikassa. Varmista, että lapset eivät pääse käsiksi laitteisiin.

## Laitteessa olevat merkinnät

Työkalussa näkyvät seuraavat kuvakkeet ja koteloon on painettu päivämääräkoodi (19), joka sisältää myös valmistusvuoden.

Esimerkki: 2023 XX XX:



**Varoitus!** Lue ohjekirja ennen käyttöä.





Vaara - pyöriviä teriä. Pidä kädet ja jalat kaukana aukoista.



Älä käytä laitetta märissä olosuhteissa tai jätä sitä sateeseen.



Käytä suojalaseja, kun käytät laitetta.



Käytä asianmukaisia kuulosuojaimia, kun käytät laitetta.



Irrota pistoke aina pistorasiasta ennen laitteen puhdistusta tai huoltoa. Älä käytä laitetta, jos virtajohto on vahingoittunut.



Irrota laite sähköverkosta, jos johto on vaurioitunut tai sotkeutunut.



Odota ennen koskettamista, että laite on pysähtynyt kokonaan.



Varo sinkoilevia esineitä. Pidä turvalliset poissa leikkausalueelta.



Käytä käsineitä, kun käytät laitetta.



Älä käytä portaana.



Direktiivin 2000/14/EY mukainen taattu ääniteho.

## Sähköturvallisuus



**Varoitus!** Varoitus! Laitteen saa kytkeä ainoastaan

maadoitettuun pistorasiaan. Tarkista aina, että verkkovirran jännite vastaa tyyppikilpeen merkittyä jännitettä.

- ◆ Jos virtajohto vahingoittuu, sen vaihtaminen on turvallisuusyistä jätettävä valmistajan tai valtuutetun BLACK+DECKER-huollon tehtäväksi.
- ◆ Sähköturvallisuutta voi parantaa käyttämällä erittäin herkkää 30 mA vikavirtasuojaa.

### Ominaisuudet

Tässä laitteessa on kaikki tai joitakin seuraavista ominaisuuksista.

1. Virtakytkin
2. Suunnanvalitsin
3. Ylikuormitusuojan painike
4. Suppilo
5. Teline
6. Keräysastia
7. Säätönuppi
8. Mäntä
9. Laitteen tuloliitäntä (käytetään vain eurooppalaisissa malleissa, joissa ei ole virtajohtoa)

### Asennus

**Varoitus!** Ennen kokoamista varmista, että laitteen virtakytkin on pois päältä ja ettei laitetta ole liitetty virtalähteeseen.

### Pyörien kiinnittäminen telineeseen (kuvat A1 ja A2)

- ◆ Käännä teline ylösalaisin ja liu'uta pyöränakseli (11) akselin putkeen
- ◆ Asenna aluslevy (14) ja pyöränlaakeri (13) akselin päihin.
- ◆ Asenna pyörät (12) akseliin (11) ja varmista, että ne ovat kuvan A2 mukaisesti.
- ◆ Asenna aluslevy (14a) kunkin pyörän ulkopuolelle.
- ◆ Kiinnitä pyörät paikoilleen muttereilla (10).
- ◆ Asenna pölykapselit (9).
- ◆ Kiinnitä jalat (16) telineeseen (5) ruuveilla, aluslevyllä ja lukkoaluslevyllä (18) kuvan A1 mukaisesti.

### Moottoriyksikön kiinnittäminen telineeseen (kuva B)

- ◆ Kohdista moottoriyksikössä olevat reiät telineessä (5) oleviin reikiin.

- ◆ Aseta ruuvit aluslevyllä ja lukkoaluslevyllä (18) moottoriyksikön läpi telineeseen.

### Ylemmän suppilon kiinnittäminen (kuva C1)

- ◆ Kohdista ylemmän suppilon (4) reiät vastaaviin moottoriyksikön reikiin ja kiinnitä ruuveilla ilman aluslevyä ja lukkoaluslevyä (17).

### Keräysastian kiinnittäminen (kuvat C1 ja C2)

- ◆ Liu'uta keräysastia (6) telineeseen (5) ja varmista, että turvakytin (6a) lukittuu hyvin.

**Huomaa:** Laite ei toimi, ellei turvakytin (6a) ole kytkettyntynyt.

### Käyttö

**Varoitus!** Anna laitteen käydä ilman kuormitusta. Vältä ylikuormittamista.

- ◆ Älä sammuta laitetta ennen kuin se on kokonaan tyhjä, muutoin siihen voi muodostua tukoksia ja sen käynnistäminen voi olla vaikeaa.
- ◆ Poista maa-aines ja kivet kasvien juurista ennen niiden silppuamista.
- ◆ Pitele oksista hyvin kiinni syöttäessä niitä silppuriin.
- ◆ Käytä tarvittaessa mäntää (8) materiaalin syöttämiseksi silppuriin kuvan E mukaisesti.

### Käynnistys ja pysäytys (kuva D)

#### Käynnistäminen

- ◆ Käännä suunnanvalitsin (2) vasemmalle.
- ◆ Paina virtakytkimen painiketta I.

#### Sammuttaminen

- ◆ Paina virtakytkimen painiketta O.

**Varoitus!** Suunnanvalitsinta/kytkimiä ei saa käyttää sarjassa äkkinäisillä liikkeillä. Äkkinäinen kytkentä voi aiheuttaa virtapiikkejä ja vaurioita silppuriin.

#### Tukoksien poistaminen

Jos liian paksut tai kovat oksat tai vieraat esineet juuttuvat laitteeseen, silppuri poistaa tukoksen useimmissa tapauksissa itsestään. Kiertosuunta vaihtuu automaattisesti, jolloin materiaali poistuu taaksepäin yläosan kautta. Normaali kierto voidaan palauttaa seuraavasti:

- ◆ Sammuta laite ja odota, että leikkuuterä on pysähtynyt kokonaan.
- ◆ Kytke laite uudelleen päälle valitsemalla kiertosuunta eteenpäin.

Kun materiaali on juuttunut kiinni:

- ◆ Sammuta laite.
- ◆ Käännä suunnanvalitsin (2) oikealle.
- ◆ Paina painiketta I, kunnes tukos on poistunut.

**Varoitus!** Oksia voi singota syöttösuppilosta laitteen käydessä vastakkaiseen suuntaan.

Jos tukos ei ole poistunut:

- ◆ Sammuta laite ja irrota se verkkovirrasta.

- ◆ Irrota jäämät leikkuukammioista käyttämällä apuna puukappaletta tai mäntää (8).
- ◆ Aseta pistoke takaisin pistorasiaan ja käytä laitetta yllä annettujen ohjeiden mukaisesti mahdollisten jäämien poistamiseksi.

**Varoitus!** Sammuta laite ja irrota se verkkovirrasta aina ennen tukoksien poistamista. Tukoksia ei saa yrittää poistaa käsin syöttösuppilon tai poistoaukon kautta. Pidä kädet poissa leikkuukammioista.

### Leikkuulevyn säätäminen (kuva F)

Leikkuulevy tulee säätää, jos laite ei silppua materiaalia.

- ◆ Käännä säätönuppia (7) puoli kierrosta myötäpäivään leikkuuasentoon kevyen materiaalin leikkaamiseksi.
- ◆ Käännä säätönuppia puoli kierrosta vastapäivään silppuamisasentoon raskaan materiaalin silppuamiseksi. Materiaalit tulee syöttää laitteen läpi kaksi kertaa sen murskaamiseksi ennen leikkausta.
- ◆ Varmista, ettei leikkuuterä kosketa alasimen terään laitevaurioiden välttämiseksi.

Jos silputtu materiaali riippuu ketjun tapaan, suorita seuraavat säädöt:

- ◆ Kytke laite päälle.
- ◆ Käännä säätönuppia (7) erittäin hitaasti ja vähän myötäpäivään, kunnes kuulet kevyen hankausäänen tai poistokanavasta tulee ulos pieni määrä alumiinilastuja. Silputtu materiaali erotetaan.

**Varoitus!** Varmista, että laite on kytketty päälle ja se toimii normaalisti eteenpäin. Jos leikkuulevyä säädetään laitteen ollessa sammutettuna, seurauksena voivat olla laitteen vakavat vauriot.

### Ylikuormitussuoja

Tässä laitteessa on ylikuormitussuoja. Jos laitteeseen muodostuu tukos tai moottori leikkaa kiinni, virta katkeaa automaattisesti.

- ◆ Odota noin 5 minuuttia, jotta suoja nollautuu.
- ◆ Irrota laitteen virtajohto sähköverkosta.
- ◆ Poista tukokset yllä annettujen ohjeiden mukaisesti.
- ◆ Liitä laite verkkovirtaan.
- ◆ Paina ylikuormitussuojan painiketta (3).
- ◆ Kytke laite päälle.

### Vinkejä parhaimman tuloksen saavuttamiseksi

- ◆ Silppua kuivat materiaalit viimeiseksi, tämä auttaa poistamaan kostean materiaalin silppurista.
- ◆ Älä anna materiaalin kerääntyä ja kompostoitua ennen sen silppuamista.
- ◆ Silputut materiaalit voidaan syöttää silppuriin uudelleen niiden koon pienentämiseksi.
- ◆ Katso tämän tekstin lopussa oleva taulukko.

## Huolto

Verkkohodolla varustettu tai verkkohodoton BLACK+DECKER-laite on suunniteltu toimimaan mahdollisimman kauan mahdollisimman vähällä huollolla. Oikealla huollolla ja säännöllisellä puhdistuksella työkalu/laite säilyttää suorituskykynsä.

**Varoitus!** Ennen verkkohodolla varustetun tai verkkohodottoman sähkötyökalun huoltoa toimi seuraavasti:

- ◆ Sammuta laite/tökalu ja irrota se verkkovirrasta.
- ◆ Puhdista työkalun, laitteen ja laturin ilma-aukot säännöllisesti pehmeällä harjalla tai kuivalla kangasliinalla.
- ◆ Puhdista moottorikotelo säännöllisesti kostealla liinalla. Älä käytä hankaavia tai liuotinohjaisia puhdistusaineita.

## Pistokkeen vaihtaminen (koskee vain Isoa-Britanniaa ja Irlantia)

Jos uusi verkkopistoke täytyy asentaa:

- ◆ Hävitä vanha pistoke turvallisesti.
- ◆ Liitä ruskea johto uuden pistokkeen jännitteeseen napaan.
- ◆ Liitä sininen johdin nolalaittimeen.

**Varoitus!** Maadoitusliittimeen ei tule tehdä liitoksia.

Noudata korkealaatuisten pistokkeiden mukana toimitettuja asennusohjeita. Suositeltu varoke: 5 A.

## Ympäristönsuojelu



Toimita tämä laite kierrätykseen. Tällä symbolilla merkityjä tuotteita ja akkuja ei saa hävittää tavallisen kotitalousjätteen mukana.

Tuotteissa ja akuissa on materiaaleja, jotka voidaan ottaa talteen tai kierrättää uudelleen käyttöä varten. Kierrätä sähkölaitteet ja akut paikallisten määräyksien mukaisesti. Lisätietoa on saatavilla osoitteessa [www.2helpU.com](http://www.2helpU.com)

## Tekniset tiedot

		BEGAS5800
Jännite	V	230
Taajuus	Hz	50
Ottoteho	V	2400 tai 2800 (P40)
Kuormittamaton nopeus (terä)	/min	46
Kuormittamaton nopeus (moottori)	/min	2850
Leikkauksen maksimihalkaisija	mm	45
Paino	Kg	29,6

Äänenpainetaso standardin EN 50434 mukaisesti:

Äänenpaine ( $L_{pa}$ ) 80 dB(A), epävarmuus (K) 2,5 dB(A)

Mitattu äänitehotaso ( $L_{wa}$ ) 93 dB(A), epävarmuus (K) 1,7 dB(A)

## EU-vaatimustenmukaisuusvakuutus

KONEDIREKTIIVI



BEGAS5800 – Silppuri

Black & Decker ilmoittaa, että tuotteet, jotka on kuvattu kohdassa Tekniset tiedot, täyttävät seuraavien direktiivien vaatimukset:

2006/42/EY, EN 60335-1:2012 + A11:2014 + A13:2017+A1:2019+A14:2019+A2:2019+A15:2021; EN 50434:2014

2000/14/EY, silppuri, liite V

Mitattu äänitehotaso ( $L_{wa}$ ) 93 dB(A)

Epävarmuus (K) 1,7 dB(A)

Taattu ääniteho ( $L_{wa}$ ) 95 dB(A)

Nämä tuotteet täyttävät myös direktiivien

2014/30/EU ja 2011/65/EU vaatimukset.

Lisätietoja saa ottamalla yhteyden Black & Deckeriin seuraavassa osoitteessa. Tiedot ovat myös käyttöohjeen takakannessa.

Allekirjoittanut vastaa teknisten tietojen kokoamisesta tehden tämän ilmoituksen Black & Deckerin puolesta.

*Patrick Diepenbach*

Patrick Diepenbach

Pääjohtaja, Benelux

Black & Decker,

Egide Walschaertsstraat 14-18

2800 Mechelen, Belgia

08.11.2023

## Takuu

Black & Decker on vakuuttanut tuotteidensa korkeasta laadusta ja tarjoaa kuluttajille 24 kuukauden takuun, joka astuu voimaan ostopäivänä. Takuu on lisäys kuluttajan laillisiin oikeuksiin eikä se vaikuta niihin.

Tämä takuu on voimassa kaikissa EU- ja ETA-maissa sekä Isossa-Britanniassa.

Edellytyksenä takuun saamiselle on, että vaade täyttää Black & Deckerin ehdot ja että ostaja toimittaa ototositteen jälleenmyyjälle tai valtuutetulle huoltoliikkeelle.

Black & Deckerin kahden vuoden takuun ehdot ja lähimmän valtuutetun korjauspalvelun yhteystiedot ovat saatavilla osoitteessa [www.2helpU.com](http://www.2helpU.com) tai ottamalla yhteyttä paikalliseen Black & Deckerin toimipisteeseen tässä ohjekirjassa ilmoitettuihin osoitteisiin.

Käy verkkosivuiltamme osoitteessa [www.blackanddecker.fi](http://www.blackanddecker.fi) ja rekisteröi uusi BLACK+DECKER -tuotteesi saadaksesi tietoa uusista tuotteista ja erikoistarjouksista.



## Προβλεπόμενη χρήση

Ο κλαδοτεμαχιστής BLACK+DECKER™ BEGAS5800 έχει σχεδιαστεί για τον τεμαχισμό των περισσότερων αποβλήτων κουζίνας και κήπου, όπου συμπεριλαμβάνονται υλικά από κλάδεμα, από κούρεμα φυτικών φρακτών, μικρά κλαδιά και άλλα οργανικά απόβλητα κήπου, καθώς και χαρτί και χαρτόνι. Τα τεμαχισμένα απόβλητα είναι ιδανικά για κομποστοποίηση, ή για ευκολότερη απόρριψη, λόγω του μειωμένου όγκου τους.

Αυτός ο κλαδοτεμαχιστής προορίζεται μόνο για καταναλωτική χρήση. Προορίζεται για διακοπτόμενη χρήση: ο προτεινόμενος χρόνος τροφοδοσίας υλικού είναι το 40% του συνολικού χρόνου λειτουργίας του τεμαχιστή. Η επιλογή και η συλλογή των υλικών κανονικά θα παρέχει επαρκή χρόνο λειτουργίας χωρίς φορτίο.

## Οδηγίες ασφαλείας

**Προειδοποίηση!** Κατά τη χρήση συσκευών που τροφοδοτούνται με ρεύμα δικτύου, θα πρέπει να λαμβάνονται οι βασικές προφυλάξεις ασφαλείας, συμπεριλαμβανομένων των παρακάτω, για τον περιορισμό του κινδύνου πυρκαγιάς, ηλεκτροπληξίας και σωματικών βλαβών.

- ♦ Πριν χρησιμοποιήσετε τη συσκευή διαβάστε προσεκτικά ολόκληρο το παρόν εγχειρίδιο.
- ♦ Η προβλεπόμενη χρήση περιγράφεται σε αυτό το εγχειρίδιο. Τόσο η χρήση οποιουδήποτε αξεσουάρ ή προσαρτήματος όσο και η πραγματοποίηση με τη συσκευή οποιασδήποτε εργασίας που δεν συνιστάται στο παρόν εγχειρίδιο οδηγίων, εγκυμονεί κίνδυνο τραυματισμού.
- ♦ Φυλάξτε αυτό το εγχειρίδιο για μελλοντική αναφορά.

## Πρακτικές ασφαλούς λειτουργίας για ηλεκτρικό τεμαχιστή/θρυμματιστή

### Εκμάθηση

- ♦ Διαβάστε τις οδηγίες προσεκτικά. Εξοικειωθείτε με τα χειριστήρια και τη σωστή χρήση του μηχανήματος.
- ♦ Ποτέ μην αφήσετε μικρά παιδιά ή άτομα που δεν γνωρίζουν αυτές τις οδηγίες να χρησιμοποιήσουν το μηχάνημα. Οι κανονισμοί που ισχύουν στην περιοχή σας μπορεί να επιβάλλουν περιορισμούς στην ηλικία του χειριστή.
- ♦ Έχετε υπόψη σας ότι ο φορέας λειτουργίας ή ο χρήστης είναι πάντα υπεύθυνοι για ατυχήματα ή κινδύνους που προκαλούνται σε τρίτους ή στην ιδιοκτησία τους.

### Προετοιμασία

- ♦ Αποκτήστε προστατευτικά αυτιών και γυαλιά ασφαλείας. Φοράτε τα πάντοτε κατά τη χρήση του μηχανήματος.
- ♦ Κατά τη χρήση του μηχανήματος φοράτε πάντα υποδήματα βαρέος τύπου και μακρύ παντελόνι. Μη χρησιμοποιείτε το μηχάνημα όταν είστε ξυπόλητοι ή όταν φοράτε ανοιχτά σανδάλια. Αποφεύγετε ρούχα με χαλαρή εφαρμογή ή με κορδόνια που κρέμονται, καθώς και τις γραβάτες.
- ♦ Χρησιμοποιείτε το μηχάνημα σε μια συνιστώμενη θέση και μόνο πάνω σε μια σταθερή, επίπεδη και οριζόντια επιφάνεια.

- ♦ Μη χρησιμοποιείτε το μηχάνημα σε επιφάνεια με επίστρωση ή χαλίκια, όπου εκτινασσόμενα υλικά θα μπορούσαν να προκαλέσουν τραυματισμό.
- ♦ Πριν την χρήση, πάντα ελέγχετε οπτικά για να βεβαιώνεστε ότι ο εξοπλισμός τεμαχισμού, τα μπουλόνια του εξοπλισμού τεμαχισμού και άλλα στοιχεία στερέωσης είναι καλά στερεωμένα και ότι οι προφυλακτικές και τα πλέγματα προστασίας είναι στη θέση τους. Αντικαθιστάτε σε σετ τα εξαρτήματα που έχουν υποστεί φθορά ή ζημιά, για να διατηρείτε τη σωστή ζυγοστάθμιση. Αντικαθιστάτε τις ετικέτες που έχουν υποστεί ζημιά ή δεν είναι αναγνώσιμες.
- ♦ Πριν από τη χρήση, ελέγξτε προσεκτικά το καλώδιο τροφοδοσίας και το καλώδιο προέκτασης για σημάδια ζημιάς ή παλαιώσης. Εάν το καλώδιο υποστεί ζημιά κατά τη χρήση, αποσυνδέστε το αμέσως από την παροχή ρεύματος. ΜΗΝ ΑΓΓΙΞΕΤΕ ΤΟ ΚΑΛΩΔΙΟ ΠΡΙΝ ΑΠΟΣΥΝΔΕΣΕΤΕ ΤΗΝ ΠΑΡΟΧΗ ΡΕΥΜΑΤΟΣ. Μη χρησιμοποιείτε το μηχάνημα αν το καλώδιο έχει υποστεί ζημιά ή φθορά.
- ♦ Μη χρησιμοποιείτε ποτέ το μηχάνημα όταν υπάρχουν κοντά άνθρωποι και ιδιαίτερα παιδιά, ή κατοικίδια ζώα.
- ♦ Κρατάτε το πρόσωπο και το σώμα σας μακριά από το άνοιγμα εισαγωγής τροφοδοσίας.
- ♦ Μην επιτρέψετε την είσοδο χεριών ή άλλου μέρους του σώματος ή ρουχισμού στο θάλαμο τροφοδοσίας, στον αγωγό εξαγωγής ή κοντά σε οποιοδήποτε κινούμενο μέρος.
- ♦ Διατηρείτε πάντα καλή ισορροπία και σταθερή στήριξη στα πόδια σας. Μην τεντώνετε υπερβολικά. Ποτέ μη στέκεστε σε σημείο πιο ψηλά από τη βάση του μηχανήματος ενώ το τροφοδοτείτε με υλικά.
- ♦ Πάντα στέκεστε μακριά από τη ζώνη εξαγωγής κατά τη χρήση αυτού του μηχανήματος.
- ♦ Κατά την τροφοδοσία υλικών στο μηχάνημα προσέχετε εξαιρετικά ώστε να μην συμπεριληφθούν κομμάτια από μέταλλο, πέτρες, μπουκάλια, κονσέρβες, ή άλλα ξένα αντικείμενα.
- ♦ Αν ο κοπτικός μηχανισμός χτυπήσει κάποιο ξένο αντικείμενο ή αν το μηχάνημα αρχίσει να παράγει οποιονδήποτε ασυνήθιστο θόρυβο ή κραδασμούς, απενεργοποιήστε τη συσκευή, απενεργοποιήστε αμέσως την πηγή ρεύματος και αφήστε το μηχάνημα να σταματήσει. Αποσυνδέστε το μηχάνημα από την παροχή και λάβετε τα παρακάτω μέτρα πριν επανεκκινήσετε και χρησιμοποιήσετε το μηχάνημα:

## Λειτουργία

- ♦ Πριν θέσετε σε λειτουργία το μηχάνημα, βεβαιωθείτε ότι ο θάλαμος τροφοδοσίας είναι κενός.

- ◆ επιθεωρήστε για ζημιές,
- ◆ αντικαταστήστε ή επισκευάστε τυχόν εξαρτήματα που έχουν υποστεί ζημιά,
- ◆ ελέγξτε για τυχόν λασκαρισμένα εξαρτήματα και, αν υπάρχουν, σφίξτε τα.
- ◆ Μην επιτρέψετε τη συσσώρευση επεξεργασμένων υλικών στη ζώνη εξαγωγής, επειδή κάτι τέτοιο μπορεί να αποτρέψει τη σωστή εξαγωγή και να έχει ως αποτέλεσμα την εκτίναξη υλικών προς τα πίσω μέσα από το άνοιγμα εισαγωγής τροφοδοσίας.
- ◆ Αν υπάρξει έμφραξη στο μηχάνημα, απενεργοποιήστε την πηγή ρεύματος και αποσυνδέστε το μηχάνημα από την παροχή, πριν καθαρίσετε τα υπολείμματα.
- ◆ Μη χρησιμοποιήσετε ποτέ το μηχάνημα με προφυλακτήρες ή προστατευτικά που έχουν υποστεί ζημιά, ή χωρίς τις διατάξεις ασφαλείας, όπως είναι ο συλλέκτης άχρηστων υλικών, τοποθετημένες στη θέση τους.
- ◆ Διατηρείτε την πηγή ρεύματος καθαρή από υπολείμματα και άλλες συσσωρεύσεις υλικών για την αποτροπή πρόκλησης ζημιάς στην πηγή ρεύματος ή πιθανής πυρκαγιάς.
- ◆ Μη μεταφέρετε το παρόν μηχάνημα όταν είναι σε λειτουργία η πηγή ρεύματος.
- ◆ Σταματήστε το μηχάνημα και αφαιρέστε το φινι από την πρίζα.

Βεβαιωθείτε ότι όλα τα κινούμενα μέρη έχουν σταματήσει τελείως:

- ◆ όταν απομακρύνεστε από το μηχάνημα,
- ◆ πριν καθαρίσετε μπλοκαρίσματα ή τον φραγμένο αγωγό,
- ◆ πριν ελέγξετε, καθαρίσετε ή εργαστείτε στο μηχάνημα.
- ◆ Μη γέρνετε το μηχάνημα όταν είναι σε λειτουργία η πηγή ρεύματος.

### Συντήρηση και αποθήκευση

- ◆ Όταν το μηχάνημα σταματήσει για σέρβις, επιθεώρηση ή αποθήκευση, ή για την αλλαγή ενός αξεσουάρ, απενεργοποιήστε την πηγή ρεύματος, αποσυνδέστε το μηχάνημα από την παροχή ρεύματος και βεβαιωθείτε ότι όλα τα κινούμενα μέρη έχουν σταματήσει τελείως. Αφήστε το μηχάνημα να κρυώσει πριν από οποιαδήποτε εργασία επιθεώρησης, ρύθμισης κλπ. Συντηρείτε προσεκτικά το μηχάνημα και διατηρείτε το καθαρό.
- ◆ Αποθηκεύετε το μηχάνημα σε στεγνό χώρο μακριά από παιδιά.
- ◆ Πάντα αφήνετε το μηχάνημα να κρυώσει πριν το αποθηκεύσετε.
- ◆ Όταν πραγματοποιείτε σέρβις στο μηχανισμό τεμαχισμού, πρέπει να γνωρίζετε ότι, παρόλο που η πηγή ρεύματος είναι απενεργοποιημένη, λόγω της λειτουργίας ενδοασφάλισης του προφυλακτήρα, ο μηχανισμός τεμαχισμού μπορεί και πάλι να κινηθεί.

- ♦ Αντικαθιστάτε τα εξαρτήματα που παρουσιάζουν φθορά ή ζημιά, για λόγους ασφαλείας. Χρησιμοποιείτε μόνο γνήσια ανταλλακτικά και αξεσουάρ.
- ♦ Ποτέ μην επιχειρήσετε να παρακάμψετε τη λειτουργία ενδοασφάλισης του προφυλακτήρα.

## Πρόσθετες οδηγίες ασφαλείας για μονάδες με προσαρτήματα συλλογής σε σάκο

- ♦ Απενεργοποιήστε το μηχάνημα πριν τοποθετήσετε ή αφαιρέσετε τον σάκο.

## Υπόδειξη

- ♦ Το μηχάνημα πρέπει να τροφοδοτείται από μια διάταξη προστασίας από ρεύμα διαρροής (RCD) με ρεύμα διαρροής λειτουργίας όχι μεγαλύτερο από 30 mA.

## Ασφάλεια τρίτων

- ♦ Αυτή η συσκευή μπορεί να χρησιμοποιηθεί από παιδιά ηλικίας 8 ετών και άνω καθώς και από άτομα με μειωμένες σωματικές, αισθητηριακές ή διανοητικές ικανότητες ή άτομα χωρίς εμπειρία και γνώσεις, μόνο εφόσον επιτηρούνται ή τους έχουν δοθεί οδηγίες σχετικά με την ασφαλή χρήση της συσκευής και έχουν κατανοήσει τους κινδύνους που ενέχονται.
- ♦ Τα παιδιά δεν πρέπει να παίζουν με τη συσκευή. Ο καθαρισμός και η συντήρηση από τον χρήστη δεν πρέπει να γίνονται από παιδιά χωρίς επίβλεψη.

## Υπολειπόμενοι κίνδυνοι

Κατά τη χρήση του εργαλείου μπορεί να δημιουργηθούν πρόσθετοι υπολειπόμενοι κίνδυνοι, οι οποίοι ενδέχεται να μη συμπεριλαμβάνονται στις προειδοποιήσεις ασφαλείας που εσωκλείονται. Αυτοί οι κίνδυνοι μπορεί να προκληθούν από κακή χρήση, παρατεταμένη χρήση κλπ. Παρά την εφαρμογή των σχετικών κανονισμών ασφαλείας και τη χρήση διατάξεων ασφαλείας, ορισμένοι υπολειπόμενοι κίνδυνοι δεν είναι δυνατό να αποφευχθούν. Σε αυτούς περιλαμβάνονται:

- ♦ Τραυματισμοί από επαφή με οποιαδήποτε κινούμενα μέρη.
- ♦ Τραυματισμοί από επαφή με καυτά εξαρτήματα.
- ♦ Τραυματισμοί κατά την αλλαγή οποιωνδήποτε εξαρτημάτων ή αξεσουάρ.
- ♦ Τραυματισμοί που προκαλούνται από παρατεταμένη χρήση της συσκευής. Όταν χρησιμοποιείτε οποιαδήποτε συσκευή για παρατεταμένες χρονικές περιόδους, βεβαιωθείτε να κάνετε τακτικά διαλείμματα.
- ♦ Βλάβη της ακοής.
- ♦ Κίνδυνοι για την υγεία που προκαλούνται από την εισπνοή σκόνης κατά τη χρήση του εργαλείου (παράδειγμα:- κατά την εργασία με ξύλο, ειδικά δρυ, οξιά και MDF).

- ♦ Αν δεν μπορείτε να αποφύγετε τη χρήση του τεμαχιστή σε θέση με υγρασία, χρησιμοποιήστε μια διάταξη προστασίας από ρεύμα διαρροής (RCD), με ρεύμα ενεργοποίησης όχι μεγαλύτερο από 30 mA. Η χρήση μιας διάταξης RCD μειώνει τον κίνδυνο ηλεκτροπληξίας.
- ♦ Ποτέ μην παίρνετε στα χέρια σας ή μεταφέρετε μια συσκευή όταν είναι σε λειτουργία το μοτέρ της.

### Λάβετε τις κατάλληλες προφυλάξεις κατά της ηλεκτροπληξίας

- ♦ Η συσκευή πρέπει να συνδέεται σε πρίζα ή καλώδιο επέκτασης που περιλαμβάνει σύνδεση γείωσης.
- ♦ Η ασφάλεια έναντι ηλεκτροπληξίας μπορεί να βελτιωθεί ακόμα περισσότερο με τη χρήση μιας διάταξης προστασίας από ρεύμα διαρροής (RCD) με υψηλή ευαισθησία (30 mA / 30 mS).
- ♦ Η συσκευή έχει σχεδιαστεί μόνο για χρήση με τροφοδοσία ρεύματος AC (ρεύματος δικτύου). Μην επιχειρήσετε να τη χρησιμοποιήσετε με οποιαδήποτε άλλη παροχή ρεύματος.

### Καλώδια επέκτασης

- ♦ Όταν χρησιμοποιείτε τη συσκευή σε εξωτερικούς χώρους, να χρησιμοποιείτε μόνο καλώδια επέκτασης που προορίζονται για χρήση σε εξωτερικούς χώρους.

- ♦ Μπορεί να χρησιμοποιηθεί καλώδιο επέκτασης 25 m με 3 αγωγούς 1,5 mm<sup>2</sup>, χωρίς απώλεια ισχύος.
- ♦ Πάντα διατηρείτε τα καλώδια προέκτασης μακριά από κινούμενα επικίνδυνα μέρη, για να αποφύγετε ζημιές στα καλώδια που μπορούν να επιφέρουν επαφή με ηλεκτροφόρα εξαρτήματα.

### Λειτουργία

- ♦ Πριν θέσετε σε λειτουργία τη συσκευή, κοιτάzte μέσα στο θάλαμο τροφοδοσίας για να βεβαιωθείτε ότι είναι κενός.
- ♦ Κρατάτε το πρόσωπο και το σώμα σας μακριά από το άνοιγμα εισαγωγής τροφοδοσίας, επειδή μακριά κλαδιά μπορεί να τιναχτούν προς τα έξω καθώς τραβιούνται μέσα από τον κοπτικό μηχανισμό. Μην επιτρέψετε την είσοδο χεριών ή άλλου μέρους του σώματος ή ρουχισμού στο θάλαμο τροφοδοσίας, στον αγωγό εξαγωγής ή κοντά σε οποιοδήποτε κινούμενο μέρος.
- ♦ Διατηρείτε πάντα καλή ισορροπία και σταθερή στήριξη στα πόδια σας. Μην τεντώνετε υπερβολικά. Ποτέ μη στέκεστε σε υψηλότερο σημείο από τη βάση της συσκευής ενώ την τροφοδοτείτε με υλικά.
- ♦ Πάντα στέκεστε μακριά από τη ζώνη εξαγωγής κατά τη χρήση αυτής της συσκευής.

- ♦ Κατά την τροφοδοσία υλικών στη συσκευή προσέχετε εξαιρετικά ώστε να μην συμπεριληφθούν κομμάτια από μέταλλο, πέτρες, μπουκάλια, κονσέρβες, ή άλλα ξένα αντικείμενα.
- ♦ Αν ο κοπτικός μηχανισμός χτυπήσει κάποιο ξένο αντικείμενο ή αν η συσκευή αρχίσει να παράγει οποιονδήποτε ασυνήθιστο θόρυβο ή κραδασμούς, απενεργοποιήστε τη συσκευή, αποσυνδέστε την πρίζα από το ρεύμα δικτύου και αφήστε τη συσκευή να σταματήσει.
  - ♦ Επιθεωρήστε τη συσκευή για ζημιές.
  - ♦ Ελέγξτε για λασκαρισμένα εξαρτήματα και, αν υπάρχουν, σφίξτε τα.
  - ♦ Φροντίστε τα εξαρτήματα που έχουν υποστεί ζημιά να αντικαθίστανται ή επισκευάζονται από έναν εξουσιοδοτημένο εκπρόσωπο σέρβις με χρήση γνήσιων ανταλλακτικών.
- ♦ Μην επιτρέψετε τη συσσώρευση επεξεργασμένων υλικών στη ζώνη εξαγωγής, επειδή κάτι τέτοιο μπορεί να αποτρέψει τη σωστή εξαγωγή και να έχει ως αποτέλεσμα την εκτίναξη υλικών προς τα πίσω μέσα από το άνοιγμα εισαγωγής τροφοδοσίας.
- ♦ Σε περίπτωση έμφραξης της συσκευής, απενεργοποιήστε τη συσκευή, αποσυνδέστε το φως από τη παροχή ρεύματος δικτύου και αφήστε τη συσκευή να ακινητοποιηθεί πλήρως, πριν καθαρίσετε τα υπολείμματα.
- ♦ Διατηρείτε όλους τους προφυλακτήρες και τους εκτροπείς στη θέση τους και σε καλή λειτουργική κατάσταση.
- ♦ Μη μεταφέρετε ή γέρνετε τη συσκευή ενώ βρίσκεται σε λειτουργία.
- ♦ Μην αφήνετε τη συσκευή χωρίς επίβλεψη. Κάθε φορά, πριν φύγετε από την περιοχή εργασίας, απενεργοποιήστε τη συσκευή, αποσυνδέστε το φως από τη παροχή ρεύματος δικτύου και αφήστε τη συσκευή να σταματήσει. Τα παιδιά πρέπει να βρίσκονται υπό επίβλεψη για να διασφαλίζεται ότι δεν παίζουν με τη συσκευή.
- ♦ Μη γέρνετε τη συσκευή όταν είναι σε λειτουργία η πηγή ρεύματος.
- ♦ Πάντα αποσυνδέετε την παροχή ρεύματος:
  - ♦ πριν καθαρίσετε έμφραξη,
  - ♦ πριν τον έλεγχο, τον καθαρισμό ή την εργασία στο μηχάνημα,
  - ♦ μετά από χτύπημα ξένου αντικειμένου, για να επιθεωρήσετε το μηχάνημα για ζημιές,
  - ♦ αν το μηχάνημα αρχίσει να δονείται με μη φυσιολογικό τρόπο,

### Συντήρηση και αποθήκευση

- ♦ Όταν σταματάτε τη λειτουργία της συσκευής για σέρβις, επιθεώρηση ή αποθήκευση, ή για την αλλαγή ενός αξεσουάρ, απενεργοποιήστε τη συσκευή και αφαιρέστε το φως από την πρίζα ρεύματος δικτύου.

Βεβαιωθείτε ότι όλα τα κινούμενα τμήματα έχουν σταματήσει τελείως πριν από οποιαδήποτε εργασία επιθεώρησης, ρύθμισης κλπ.

- ♦ Αποθηκεύετε τη συσκευή σε ξηρό και κλειδωμένο χώρο. Τα παιδιά δεν πρέπει να έχουν πρόσβαση σε αποθηκευμένες συσκευές.

## Ετικέτες πάνω στη συσκευή

Πάνω στο εργαλείο εμφανίζονται τα παρακάτω εικονογράμματα μαζί με τον κωδικό ημερομηνίας (19) ο οποίος περιλαμβάνει και το έτος κατασκευής και είναι σταμπαρισμένος στο περίβλημα.

Παράδειγμα:

2023 XX XX:



**Προειδοποίηση!** Διαβάστε το εγχειρίδιο οδηγιών πριν από τη λειτουργία.



Κίνδυνος - περιστρεφόμενες λεπίδες. Κρατάτε τα χέρια και τα πόδια μακριά από τα ανοίγματα.



Μη χρησιμοποιείτε το εργαλείο σε υγρές συνθήκες και μην το εκθέτετε σε βροχή.



Φοράτε γυαλιά ασφαλείας ή ειδικά προστατευτικά γυαλιά όταν χρησιμοποιείτε αυτή τη συσκευή.



Φοράτε κατάλληλα προστατευτικά ακοής κατά τη χρήση αυτής της συσκευής.



Πάντα να αφαιρείτε το φως από την πρίζα πριν από οποιαδήποτε εργασία καθαρισμού ή συντήρησης. Προσέξτε να μην χρησιμοποιήσετε τη συσκευή αν το καλώδιο έχει υποστεί ζημιά.



Αποσυνδέστε το φως ρευματοληψίας αν το καλώδιο υποστεί ζημιά ή μπερδευτεί.



Περιμένετε να σταματήσει τελείως πριν το αγγίξετε.



Προσέχετε για τυχόν αντικείμενα που εκσφενδονίζονται. Μην αφήνετε να πλησιάσουν άλλα άτομα στην περιοχή κοπής.



Φοράτε γάντια όταν χρησιμοποιείτε αυτό το εργαλείο.



Μην το χρησιμοποιείτε ως σκαλοπάτι.



Εγγυημένη ηχητική ισχύς σύμφωνα με την Οδηγία 2000/14/ΕΚ.

## Ασφαλής χρήση ηλεκτρικού ρεύματος



**Προειδοποίηση!**

Προειδοποίηση! Το προϊόν αυτό πρέπει να γειώνεται. Πάντα ελέγχετε ότι η παροχή ρεύματος αντιστοιχεί στην τάση που αναφέρεται στην πινακίδα τεχνικών χαρακτηριστικών.

- ♦ Αν το καλώδιο τροφοδοσίας είναι κατεστραμμένο, πρέπει να αντικατασταθεί από τον κατασκευαστή ή εξουσιοδοτημένο κέντρο τεχνικής υποστήριξης της BLACK+DECKER για την αποφυγή κινδύνου.
- ♦ Η ασφάλεια έναντι ηλεκτροπληξίας μπορεί να βελτιωθεί ακόμα περισσότερο με τη χρήση μιας υψηλής ευαισθησίας διάταξης προστασίας από ρεύμα διαρροής (RCD) 30 mA.

### Χαρακτηριστικά

Στη συσκευή αυτή διατίθενται ορισμένα από τα παρακάτω χαρακτηριστικά ή όλα.

1. Διακόπτης ενεργοποίησης/ απενεργοποίησης (On/Off)
2. Επιλογέας κατεύθυνσης λειτουργίας
3. Κουμπί προστασίας από υπερφόρτωση
4. Χοάνη
5. Βάση
6. Κάδου συλλογής
7. Περιστροφικό κουμπί ρύθμισης
8. Έμβολο
9. Είσοδος συσκευής (για χρήση μόνο για τα Ευρωπαϊκά μοντέλα που δεν παρέχονται με καλώδιο ρεύματος)

### Συναρμολόγηση

**Προειδοποίηση!** Πριν από τη συναρμολόγηση, βεβαιωθείτε ότι η συσκευή είναι απενεργοποιημένη και αποσυνδεδεμένη από την πρίζα.

### Σύνδεση των τροχών στη βάση (Εικ. Α1 & Α2)

- ♦ Γυρίστε τη βάση ανάποδα και περάστε τον άξονα τροχών (11) μέσα στον σωλήνα άξονα
- ♦ Τοποθετήστε μια ροδέλα (14) και ένα έδρανο τροχού (13) σε κάθε άκρο του άξονα τροχών.
- ♦ Τοποθετήστε τους τροχούς (12) πάνω στον άξονα τροχών (11), αφού βεβαιωθείτε ότι είναι στραμμένοι όπως δείχνει η εικόνα Α2.
- ♦ Τοποθετήστε μια ροδέλα (14a) εξωτερικά σε κάθε τροχό.
- ♦ ασφαλίστε τους τροχούς στη θέση τους με τα παξιμάδια (10).
- ♦ Τοποθετήστε τα καπάκια πλήμνης (9).
- ♦ Στερεώστε το πόδι (16) πάνω στη βάση (5) χρησιμοποιώντας τις βίδες με ροδέλα και ροδέλα ασφαλείας (18) όπως δείχνει η εικόνα Α1

### Σύνδεση του μοτέρ στη βάση (Εικ. Β)

- ♦ Ευθυγραμμίστε τις οπές της μονάδας μοτέρ με τις αντίστοιχες οπές της βάσης (5).
- ♦ Εισάγετε τις βίδες με ροδέλα και ροδέλα ασφαλείας (18) στη βάση περνώντας τις μέσα από τη μονάδα μοτέρ.

### Σύνδεση της επάνω χοάνης (Εικ. C1)

- ♦ Ευθυγραμμίστε τις οπές στην επάνω χοάνη (4) με τις αντίστοιχες οπές της μονάδας μοτέρ και στερεώστε τη μονάδα χρησιμοποιώντας τις βίδες χωρίς ροδέλα και ροδέλα ασφαλείας (17)

### Τοποθέτηση του κάδου συλλογής (Εικ. C1 & C2)

- ♦ Περάστε τον κάδο συλλογής (6) μέσα στη βάση (5) διασφαλίζοντας ότι ο διακόπτης ασφαλείας (6a) ασφαλίσει σταθερά.

**ΣΗΜΕΙΩΣΗ:** Η μονάδα δεν θα λειτουργεί παρά μόνον αν έχει συμπληχτεί ο διακόπτης ασφαλείας (6a).

### Χρήση

**Προειδοποίηση!** Αφήνετε το εργαλείο να λειτουργήσει με τον δικό του ρυθμό. Μην υπερφορτώνετε το εργαλείο.

- ♦ Μην απενεργοποιείτε τη συσκευή αν δεν είναι τελείως κενή, επειδή μπορεί να φράξει και να είναι δύσκολη η επανεκκίνησή της.
- ♦ Αφαιρείτε το χώμα και τις πέτρες από τις ρίζες των φυτών πριν τον τεμαχισμό.
- ♦ Κρατάτε σταθερά τα κλαδιά όταν τα τροφοδοτείτε στον τεμαχιστή.
- ♦ Χρησιμοποιείτε το έμβολο (8) όταν απαιτείται να τροφοδοτήσετε υλικό στον τεμαχιστή όπως δείχνει η εικόνα Ε.

### Ενεργοποίηση και απενεργοποίηση (Εικ. D)

#### Ενεργοποίηση

- ♦ Θέστε τον επιλογέα κατεύθυνσης λειτουργίας (2) στην αριστερή θέση.
- ♦ Πατήστε το κουμπί I στον διακόπτη on/off.

#### Απενεργοποίηση

- ♦ Πατήστε το κουμπί O στον διακόπτη on/off.

**Προειδοποίηση!** Μη χειρίζεστε τον επιλογέα/τους διακόπτες κατεύθυνσης λειτουργίας διαδοχικά και με απότομες κινήσεις. Η απότομη αλλαγή μπορεί να δημιουργήσει σπινθήρες ρεύματος με πιθανότητα να προεξήσει ζημιά στον τεμαχιστή.

### Καθαρισμός απόφραξης

Αν υπάρξει ενσφήνωση στη συσκευή από κλαδιά που είναι υπερβολικά μεγάλου πάχους ή σκληρότητας, ή από ξένα σώματα, ο τεμαχιστής στην πλειονότητα των περιπτώσεων θα ελευθερωθεί μόνος του με αυτόματο τρόπο. Η κατεύθυνση περιστροφής θα αντιστραφεί αυτόματα με αποτέλεσμα την εκκένωση του υλικού πάλι από το πάνω μέρος. Για να επαναφέρετε την κατεύθυνση περιστροφής στην κανονική, προχωρήστε ως εξής:



- ◆ Απενεργοποιήστε τη συσκευή και περιμένετε να σταματήσει τελείως η λεπίδα κοπής.
- ◆ Ενεργοποιήστε πάλι τη συσκευή έχοντας ρυθμίσει κατεύθυνση περιστροφής προς τα εμπρός.  
Αν έχει σφηνώσει υλικό:
- ◆ Απενεργοποιήστε τη συσκευή.
- ◆ Θέστε τον επιλογέα κατεύθυνσης λειτουργίας (2) στη δεξιά θέση.
- ◆ Πατήστε το κουμπί I έως ότου απομακρυνθούν τα σφηνωμένα υλικά.

**Προειδοποίηση!** Μπορεί να εκτιναχθούν κλαδιά από τη χοάνη εισόδου όταν η συσκευή λειτουργεί στην αντίστροφη κατεύθυνση.

Αν η απόφραξη παραμένει:

- ◆ Ενεργοποιήστε και αποσυνδέστε τη συσκευή από την πρίζα.
- ◆ Χρησιμοποιήστε ένα κομμάτι ξύλου ή το έμβολο (8) για να λασκάρτε τα υπολείμματα μέσα στο θάλαμο κοπής.
- ◆ Επανασυνδέστε το φως στην πρίζα ρεύματος δικτύου και χειριστείτε τη συσκευή όπως περιγράφηκε πιο πάνω για να αφαιρέσετε όλα υπολείμματα παραμένον.

**Προειδοποίηση!** Πάντα να απενεργοποιείτε τη συσκευή και να την αποσυνδέετε από την πρίζα πριν επιχειρήσετε να καθαρίσετε μια απόφραξη. Μην επιχειρήσετε να απομακρύνετε σφηνωμένα υλικά περνώντας το χέρι σας μέσα στη χοάνη εισόδου ή στο άνοιγμα εξόδου. Κρατάτε τα χέρια σας μακριά από το θάλαμο κοπής.

### Ρύθμιση της πλάκας κοπής (Εικ. F)

Η πλάκα κοπής χρειάζεται να ρυθμίζεται αν η συσκευή δεν μπορεί να τεμαχίσει τα υλικά.

- ◆ Περιστρέψτε το κουμπί ρύθμισης (7) δεξιόστροφα κατά μισή στροφή προς τη θέση κοπής για την πλήρη κοπή ελαφριών υλικών.
- ◆ Περιστρέψτε το κουμπί ρύθμισης αριστερόστροφα κατά μισή στροφή προς τη θέση σύνθλιψης για τον τεμαχισμό βαριών υλικών.
- ◆ Ίσως χρειαστεί τα υλικά να τροφοδοτηθούν δύο φορές μέσα στη συσκευή για να συνθλιβεί το υλικό πριν κοπεί πλήρως.
- ◆ Βεβαιωθείτε ότι η λεπίδα κοπής δεν έρχεται σε επαφή με τη λεπίδα άκμονα, για να αποφύγετε ζημιά στη συσκευή.

Όταν το τεμαχισμένο υλικό αρχίσει να κρέμεται σαν αλυσίδα, ρυθμίστε ως εξής:

- ◆ Ενεργοποιήστε τη συσκευή.
- ◆ Περιστρέψτε πολύ αργά και ελαφρά το περιστροφικό κουμπί ρύθμισης (7) στη δεξιόστροφη κατεύθυνση, έως ότου ακούσετε ένα θόρυβο ξυσίματος ή πέσει μικρή ποσότητα ριניσμάτων αλουμινίου από τον αγωγό εξαγωγής. Το τεμαχισμένο υλικό τώρα θα έχει διαχωριστεί.

**Προειδοποίηση!** Βεβαιωθείτε ότι η συσκευή είναι ενεργοποιημένη και λειτουργεί στην κανονική διεύθυνση προς τα εμπρός. Η ρύθμιση της πλάκας κοπής ενώ η συσκευή είναι απενεργοποιημένη μπορεί να προκαλέσει σοβαρές ζημιές στη συσκευή.

### Προστασία από υπερφόρτωση

Η συσκευή διαθέτει σύστημα προστασίας από υπερφόρτωση. Αν η συσκευή μπλοκάρει και το μοτέρ αναγκαστεί να σταματήσει, θα απενεργοποιηθεί αυτόματα η τροφοδοσία ρεύματος.

- ◆ Περιμένετε περίπου 5 λεπτά για να πραγματοποιηθεί η επαναφορά του συστήματος προστασίας.
- ◆ Αποσυνδέστε τη συσκευή από την παροχή ρεύματος δικτύου.
- ◆ Καθαρίστε την έμφραξη όπως περιγράφεται παραπάνω.
- ◆ Συνδέστε τη συσκευή στην παροχή ρεύματος δικτύου.
- ◆ Πατήστε το κουμπί προστασίας από υπερφόρτωση (3).
- ◆ Ενεργοποιήστε τη συσκευή.

### Συμβουλές για βέλτιστη χρήση

- ◆ Τεμαχίστε τα ξηρά υλικά τελευταία, επειδή αυτό διευκολύνει την απομάκρυνση των υπολειμμάτων υγρού υλικού από τον τεμαχιστή.
- ◆ Μην επιτρέπετε τη συσσώρευση και την κομποστοποίηση των υλικών πριν τον τεμαχισμό τους.
- ◆ Μπορείτε να περάσετε τα ήδη τεμαχισμένα υλικά και μια δεύτερη φορά από τον τεμαχιστή, για να μειώσετε και άλλο τον όγκο τους.
- ◆ Ανατρέξτε στον πίνακα που υπάρχει στο τέλος αυτού του κειμένου.

### Συντήρηση

Αυτή η συσκευή/το εργαλείο ρεύματος/μπαταρίας της BLACK+DECKER έχει σχεδιαστεί έτσι ώστε να λειτουργεί για μεγάλο χρονικό διάστημα με την ελάχιστη δυνατή συντήρηση. Η αδιάλειπτη και ικανοποιητική λειτουργία του εργαλείου/της συσκευής εξαρτάται από τη φρονιτιά και τον τακτικό καθαρισμό του/της.

**Προειδοποίηση!** Πριν πραγματοποιήσετε οποιαδήποτε συντήρηση σε ηλεκτρικά εργαλεία ρεύματος/μπαταρίας:

- ◆ Απενεργοποιήστε και αποσυνδέστε τη συσκευή/το εργαλείο από την πρίζα.
- ◆ Να καθαρίζετε τακτικά τα ανοίγματα αερισμού του εργαλείου/της συσκευής και του φοριστή με μια μαλακή βούρτσα ή ένα στεγνό πανί.
- ◆ Καθαρίζετε τακτικά το περίβλημα μοτέρ με ένα ελαφρά υγρό πανί. Μην χρησιμοποιείτε καθαριστικά που χαράζουν ή περιέχουν διαλύτες.

### Αντικατάσταση του φως ρεύματος δικτύου (Hv. Βασίλειο & Ιρλανδία μόνο)

Αν χρειάζεται να τοποθετηθεί νέο φως ρεύματος δικτύου:

- ◆ Απορρίψτε με ασφαλή τρόπο το παλιό φως.
- ◆ Συνδέστε τον καφέ αγωγό στον ακροδέκτη φάσης του καινούργιου φως.

- ◆ Συνδέστε τον μπλε αγωγό στον ουδέτερο ακροδέκτη.

**Προειδοποίηση!** Δεν πρέπει να γίνει καμία σύνδεση στον ακροδέκτη γείωσης. Ακολουθήστε τις οδηγίες συναρμολόγησης που συνοδεύουν τα καλής ποιότητας φις. Συνοπιστώμενη ασφάλεια: 5 A.

## Προστασία του περιβάλλοντος



Χωριστή συλλογή. Τα προϊόντα και οι μπαταρίες που επισημαίνονται με αυτό το σύμβολο δεν πρέπει να απορρίπτονται μαζί με τα κανονικά οικιακά απορρίμματα.

Τα προϊόντα και οι μπαταρίες περιέχουν υλικά που μπορούν να ανακτηθούν ή να ανακυκλωθούν, ώστε να μειωθούν οι ανάγκες για πρώτες ύλες. Παρακαλούμε να ανακυκλώνετε τα ηλεκτρικά προϊόντα και τις μπαταρίες σύμφωνα με τους τοπικούς κανονισμούς.

Περισσότερες πληροφορίες διατίθενται στον ιστότοπο [www.2helpU.com](http://www.2helpU.com)

## Τεχνικά χαρακτηριστικά

		BEGAS5800
Τάση	V	230
Συχνότητα	Hz	50
Κατανάλωση ισχύος	W	2.400, ή 2.800 (P40)
Ταχύτητα χωρίς φορτίο (λεπίδα)	/min	46
Ταχύτητα χωρίς φορτίο (μοτέρ)	/min	2850
Μέγιστη διάμετρος κοπής	mm	45
Βάρος	kg	29,6

### Στάθμη ηχητικής πίεσης κατά EN 50434:

Στάθμη ηχητικής πίεσης εκπομπών ( $L_{pA}$ ) 80 dB(A), αβεβαιότητα (K) 2,5 dB(A)

Μετρηθείσα στάθμη ηχητικής ισχύος ( $L_{WA}$ ) 93 dB(A), αβεβαιότητα (K) 1,7 dB(A)

## Δήλωση συμμόρφωσης ΕΚ ΟΔΗΓΙΑ ΣΧΕΤΙΚΑ ΜΕ ΤΑ ΜΗΧΑΝΗΜΑΤΑ



BEGAS5800– Τεμαχιστής

H Black & Decker δηλώνει ότι τα προϊόντα αυτά που περιγράφονται στα "τεχνικά χαρακτηριστικά" συμμορφώνονται με τα ακόλουθα:

2006/42/EK, EN 60335-1:2012 + A11:2014 + A13:2017+A1:2019+A14:2019+A2:2019+A15:2021, EN 50434:2014

2000/14/EK, Τεμαχιστής, Παράρτημα V

Μετρημένη στάθμη ηχητικής ισχύος ( $L_{WA}$ ) 93 dB(A)  
Αβεβαιότητα (K) 1,7 dB(A)

Εγγυημένη ηχητική ισχύς ( $L_{WA}$ ) 95 dB(A)

Αυτά τα προϊόντα συμμορφώνονται επίσης με την Οδηγία 2014/30/EE και 2011/65/EE.

Για περισσότερες πληροφορίες, επικοινωνήστε με την Black & Decker στην παρακάτω διεύθυνση ή ανατρέξτε στο πίσω μέρος του εγχειριδίου.

Ο κάτωθι υπογεγραμμένος είναι υπεύθυνος για την κατάρτιση του τεχνικού φακέλου και δηλώνει τα παρόντα εκ μέρους της Black & Decker.

*Patrick Diepenbach*

Patrick Diepenbach

Γενικός διευθυντής, Μπενελούξ  
Black & Decker,

Egide Walschaertsstraat 14-18  
2800 Mechelen, Belgium (Βέλγιο)  
08/11/2023

## Εγγύηση

H Black & Decker είναι σίγουρη για την ποιότητα των προϊόντων της και προσφέρει στους καταναλωτές εγγύηση 24 μηνών από την ημερομηνία αγοράς. Αυτή η εγγύηση αποτελεί πρόσθετη παροχή και με κανένα τρόπο δεν παραβάλλει τα νόμιμα δικαιώματά σας.

H εγγύηση ισχύει εντός της επικράτειας των χωρών μελών της Ευρωπαϊκής Ένωσης καθώς και της Ευρωπαϊκής Ζώνης Ελεύθερων Συναλλαγών και του Ηνωμένου Βασιλείου.

Για να υποβάλετε αξίωση βάσει της εγγύησης, η αξίωση θα πρέπει να είναι σύμφωνη με τους Όρους και προϋποθέσεις της Black & Decker και θα χρειαστεί να υποβάλετε απόδειξη αγοράς στον πωλητή ή σε εξουσιοδοτημένο αντιπρόσωπο επισκευών.

Μπορείτε να αποκτήσετε τους Όρους και προϋποθέσεις της εγγύησης 2 ετών της Black & Decker και να μάθετε την τοποθεσία του πλησιέστερου εξουσιοδοτημένου αντιπροσώπου επισκευών στο Internet στο [www.2helpU.com](http://www.2helpU.com), ή επικοινωνώντας με το τοπικό σας γραφείο Black & Decker στη διεύθυνση που υποδεικνύεται στο παρόν εγχειρίδιο. Επισκεφθείτε την ιστοσελίδα μας [www.blackanddecker.gr](http://www.blackanddecker.gr) για να καταχωρίσετε το νέο σας προϊόν BLACK+DECKER και για να ενημερώνεστε για τα νέα προϊόντα και τις ειδικές προσφορές.



<b>België/Belgique/Luxembourg</b> www.blackanddecker.be enduser.be@sbdinc.com	Stanley Black & Decker Belgium BVBA Egide Walschaertsstraat 16 2800 Mechelen	Tel. NL +32 15 47 37 65 Tel. FR +32 15 47 37 66 Fax. +32 15 47 37 99
<b>Danmark</b>	Black & Decker Roskildevej 22 2620 Albertslund	kundeservice.dk@sbdinc.com www.blackanddecker.dk
<b>Deutschland</b> www.blackanddecker.de infobfge@sbdinc.com	Stanley Black & Decker Deutschland GmbH Black & Decker Str. 40, D - 65510 Idstein	Tel. 06126 21-0 Fax 06126 21-2980
<b>Ελλάδα</b> www.blackanddecker.gr greece.service@sbdinc.com	Stanley Black & Decker (Ε/Λ/ΑΣ) Ε.Π.Ε ΓΡΑΦΕΙΑ: Στράβωνος 7 & Βουλιαγμένης 166 74 Γλυφάδα - Αθήνα	Τηλ. 210-8981616 Φαξ 210-8983570
<b>SERVICE:</b>	Ημερος Τόπος 2 -Χάνι Αδάμ 193 00 Ασπρόπυργος - Αθήνα	Τηλ. Service 210-8985208 Φαξ 210-5597598
<b>España</b> www.blackanddecker.es respuesta.posventa@sbdinc.com	Stanley Black & Decker Ibérica, S.C.A. Parc de Negocis "Mas Blau" Edificio Muntadas, c/Bergadá, 1, Of. A6 08820 El Prat de Llobregat (Barcelona)	Tel. 934 797 400 Fax 934 797 419
<b>France</b> www.blackanddecker.fr	Stanley Black & Decker. 62 chemin de la Bruyère 69570 Dardilly, France	Tel. 04 72 20 39 20 Fax 04 72 20 39 00
<b>Helvetia</b> www.blackanddecker.ch service@rofoag.ch	ROFO AG Gewerbezone Seeblick 3213 Kleinbösingen	Tel. 026-6749393 Fax 026-6749394
<b>Italia</b> www.blackanddecker.it service.italia@sbdinc.com	Stanley Black & Decker Italia Via Energypark 6 20871 Vimercate (MB)	Tel. 039-9590200 Fax 039-9590313 Numero verde 800-213935
<b>Nederland</b> www.blackanddecker.nl enduser.nl@sbdinc.com	Stanley Black & Decker Netherlands BV Holtum Noordweg 35, 6121 RE BORN Postbus 83, 6120 AB BORN	Tel. +31 164 283 065 Fax +31 164 283 200
<b>Norge</b>	Black & Decker Postboks 4613, Nydalen 0405 Oslo	kundeservice.no@sbdinc.com www.blackanddecker.no
<b>Österreich</b> www.blackanddecker.at service.austria@sbdinc.com	Stanley Black & Decker Austria GmbH Oberlaaerstraße 248, A-1230 Wien	Tel. 01 66116-0 Fax 01 66116-614
<b>Portugal</b> www.blackanddecker.pt resposta.posvenda@sbdinc.com	Black & Decker Limited SARL Quinta da Fonte - Edifício Q55 D. Diniz Rua dos Malhões, 2 e 2A - Piso 2 Esquerdo 2770 - 071 Paço de Arcos	Tel. 214667500 Fax 214667580
<b>Suomi</b>	Black & Decker PL47 00521, Helsinki	asiakaspalvelu.fi@sbdinc.com www.blackanddecker.fi
<b>Sverige</b>	Black & Decker AB Box 94, 431 22 Mölndal	kundservice.se@sbdinc.com www.blackanddecker.se
<b>Türkiye</b> https://tr.blackanddecker.global info-tr@sbdinc.com	Stanley Black & Decker Turkey Alet Üretim Tic. Ltd.Şti. İçerenköy Mahallesi Umut Sokak No: 10--12 / 82--83--84 Kat: 19 Ataşehir-İstanbul, Türkiye	Tel. +90 216 665 2900 Fax. +90 216 665 2901
<b>United Kingdom &amp; Republic Of Ireland</b> www.blackanddecker.co.uk emeaservice@sbdinc.com	Black & Decker 270 Bath Road Slough, Berkshire SL1 4DX	Tel. 01753 511234 Fax 01753 512365
<b>Middle East &amp; Africa</b> www.blackanddecker.ae service.mea@sbdinc.com	Black & Decker P.O.Box - 17164 Jebel Ali Free Zone (South), Dubai, UAE	Tel. +971 4 8863030 Fax +971 4 8863333
<b>Australia &amp; New Zealand</b>	Stanley Black & Decker 810 Whitehorse Road Box Hill VIC 3128, Australia	Tel. 1800 338 002 (Aus) Tel. 0800 339 258 (NZ)